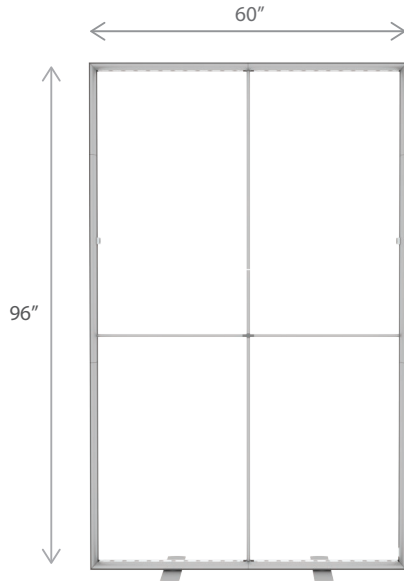


COMPONENTS	
(K) Panel K	3x
(V) Panel V	1x
(X) Panel X	1x
(J) Panel J	2x
(H) 10ft Hanging Sign	1x
(C) Counter	1x
(C-90) Connector 90	4x
(K-TV) BLM-TV-60	3x



PRODUCT DESCRIPTION

BrightLine smart light box displays feature swift tool-free installation, durable light-weight frames, embedded LEDs, and exclusive One Planet recycled fabrics with impressive vivid graphics, all conveniently organized in a heavy-duty shipping case. Panel K is the taller variant of the highly sought 5ft light box, which allows for alluring impact on its own, as well as versatile pairings in larger exhibits.

Mix-and-match with other BrightLine panels, or combine with WaveLine and StraightLine displays, to create unique branded environments. TV mounts and counters complete an enhanced experience to really make brands stand out.

KEY FEATURES

- Easy tool free assembly
- Lightweight portable construction
- Magnetic power links
- LED lights encapsulated in frame
- Heavy duty shipping case, molded foam inserts
- Single- or double-sided
- Vibrant graphics on recycled fabric

DISPLAY CONSTRUCTION

Aluminum frame with aluminum support poles

DIMENSIONS

Assembled Unit	60"w x 96"h x 4"d
Packed Case	46.5"w x 15"h x 12"d, 53 lbs
Shipping Box	47"w x 16"h x 13"d, 55 lbs
Graphic Size	60"w x 96"h

GRAPHIC MATERIAL

Graphic Print : Dye sublimated on One Planet, 100% recycled, backlit fabric	Bottles recycled 42
Blocker : One Planet light block recycled fabric	Bottles recycled 17

LED LIGHT SPECIFICATIONS

Power Requirements	112 W
CCT (Color Temp)	6000 K
Voltage Input	110 / 220V
Voltage Output	24V 11A 264W
Transformers Included	1

GRAPHIC FINISHING

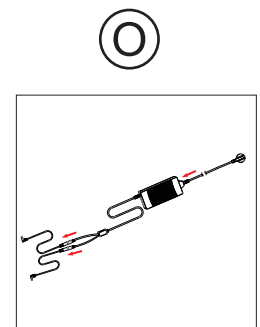
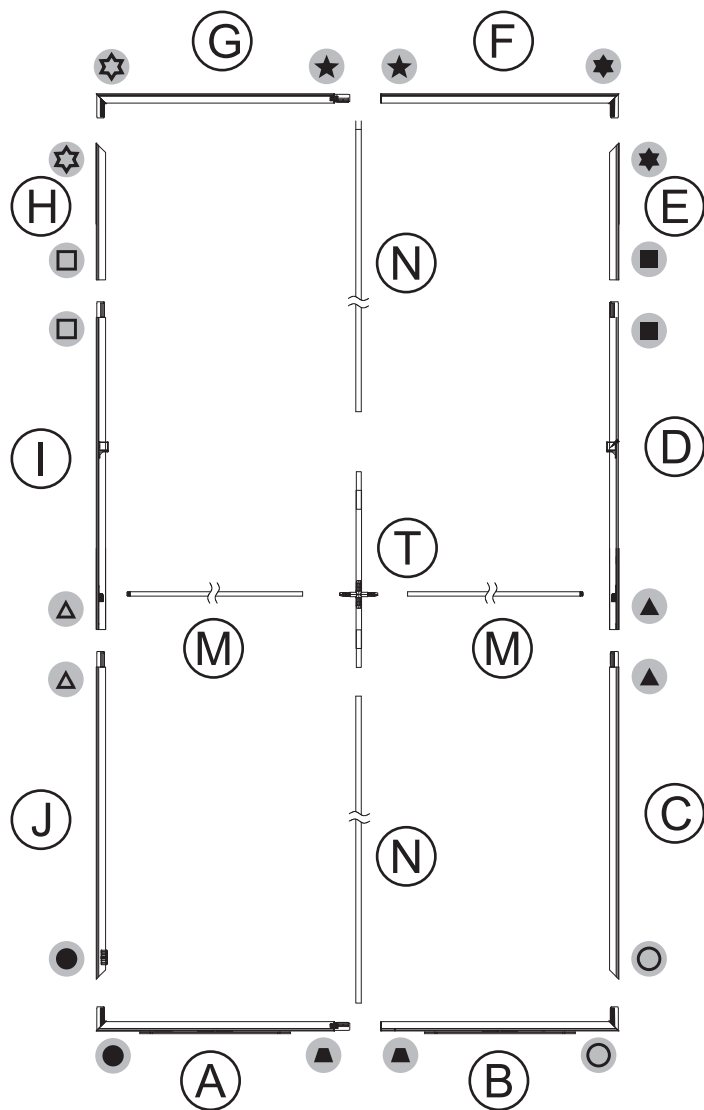
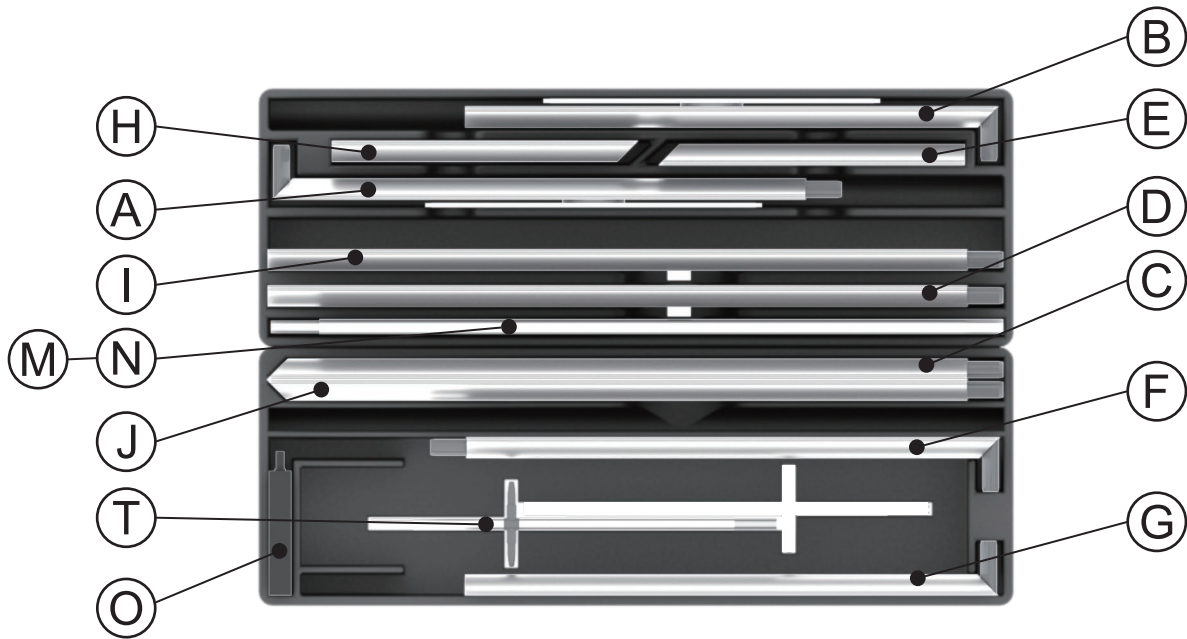
Silicone sewn edges

WARRANTY

Limited Warranty Periods

- Frame : Lifetime
- Lights : 90 days
- Graphics : 30 days

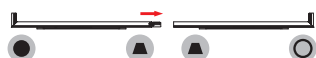
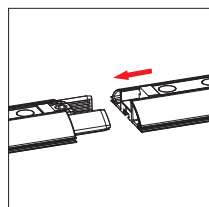
PARTS



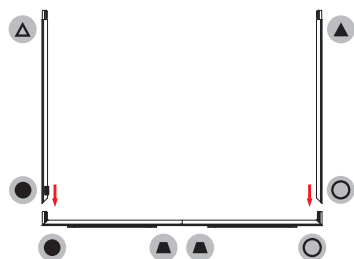
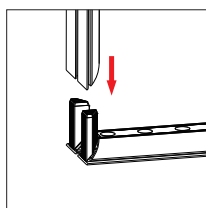
ASSEMBLY

Assemble parts on the floor and stand-up unit when completed.

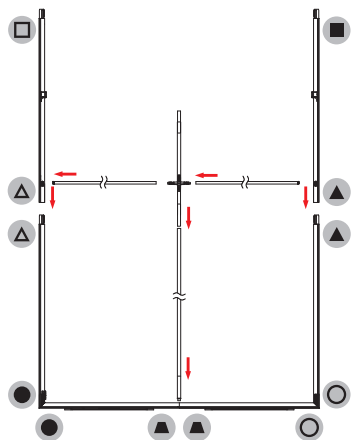
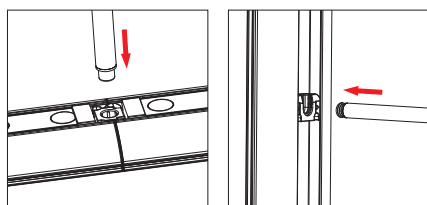
1



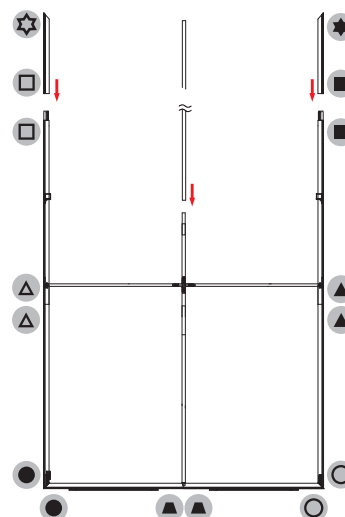
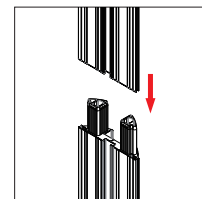
2



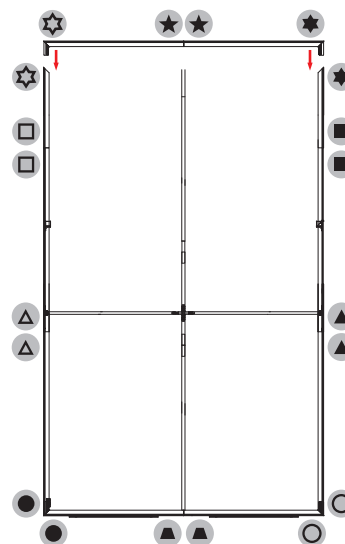
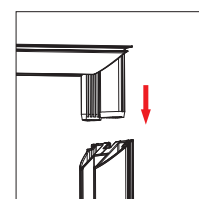
3



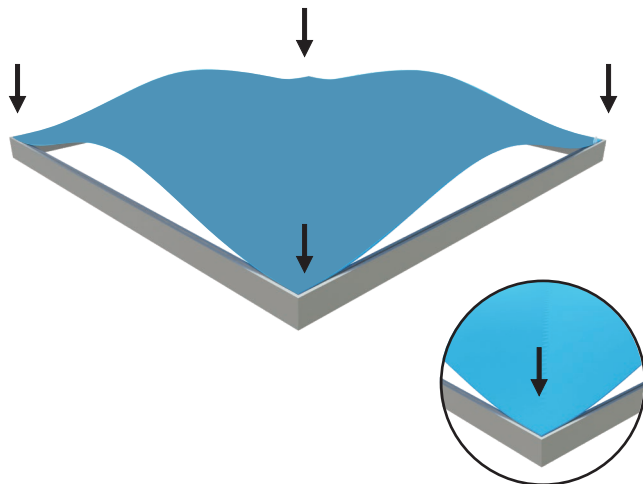
4



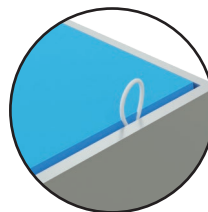
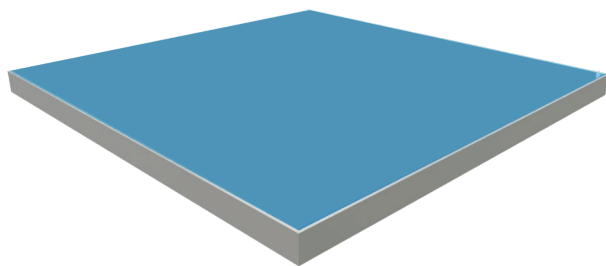
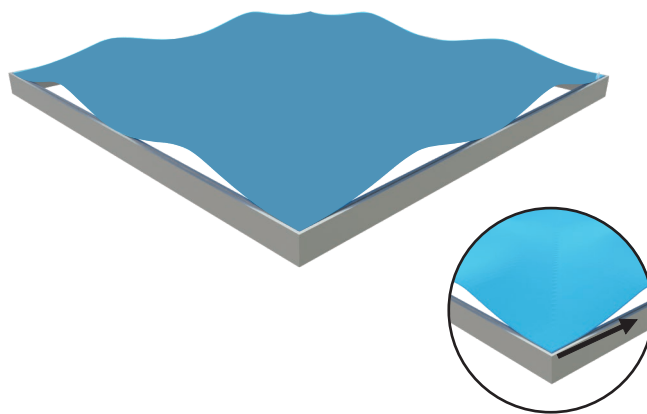
5



6 Push the silicone bead into each corner of the frame with your thumb.

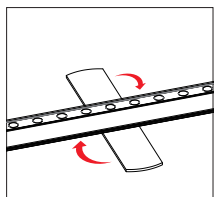
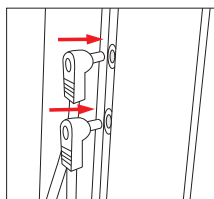


Push the silicone bead into the middle of the run and work your way around the perimeter of the frame until all beading is pushed in properly



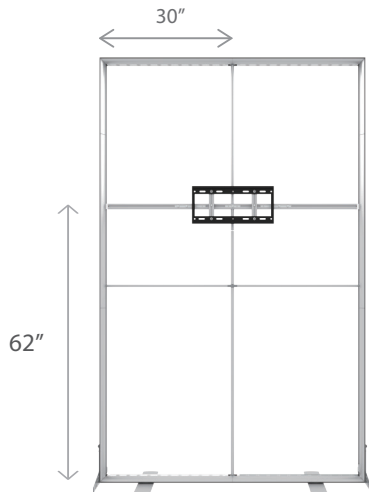
To Remove Graphic
Use the pull tab located on the graphic and gently pull the graphic from the frame, going around the perimeter

7



Monitor Mount

BLM-TV-60-K



PRODUCT DESCRIPTION

Designed for compatibility with BrightLine and StraightLine Displays, these mounts deliver a captivating “floating” screen sensation. Simply slide the TV bar into the frame, secure the monitor plate with screws, and attach your screen on the front. Side feet are included in the kit for extra stability. Graphics can be finished with four small pre-cut slits for convenient access, or you can customize your own cutouts as required.

MONITOR SPECIFICATIONS

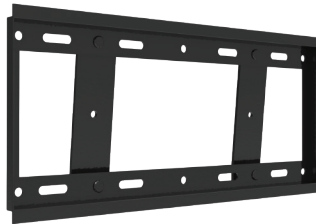
Holds monitors up to 25 lbs, VESA 200 X 200

DIMENSIONS

Shipping Box	14" w x 4" d x 42" h, 13 lbs
--------------	------------------------------

PARTS

(1x) Allen Key	5mm
(4x) Bracket-to-Monitor Screws: M5, M6, & M8 screws included. Check your TV for specs	
Spacers	
Cutter	



Monitor Plate



Monitor Brackets (2)



(2) M6 screws

TV Bar 60"



Side Foot (2)

*Philips Screwdriver not included

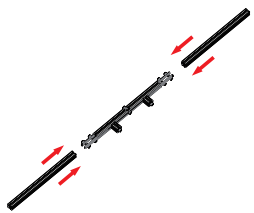
Monitor Mount

BLM-TV-60-K

BrightLine

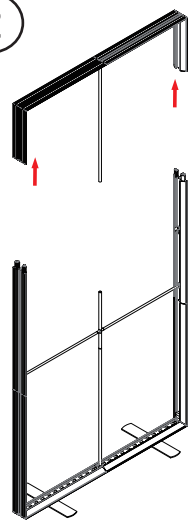
StraightLine

1



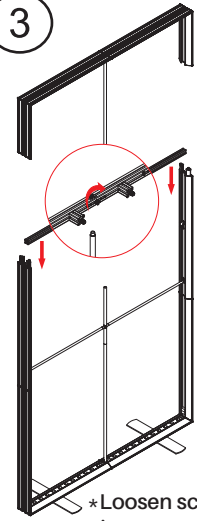
* Tighten screws to secure bar together.

2



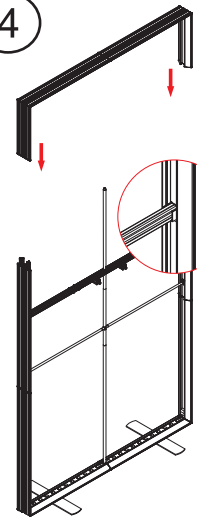
* Loosen screws to insert center pole.

3



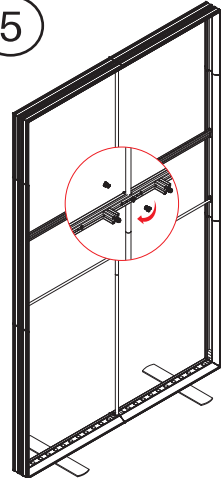
* Loosen screws to insert center pole.

4



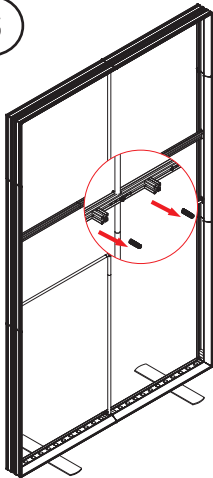
* Loosen screws to insert center pole.

5



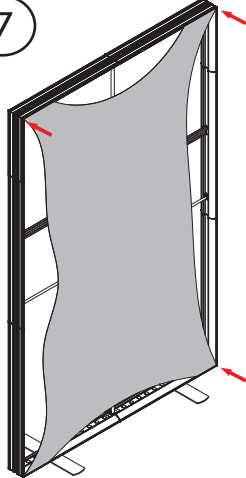
* Tighten screws to pole.

6



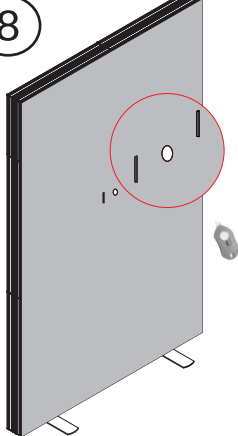
* Remove M6 Screws from TV Bar, using Allen key.

7



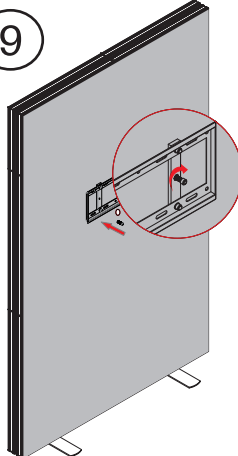
* Use cutter to create a 1" vertical slit on fabric, where M6 screws fit on TV bar. Don't worry fabric will not run.

8



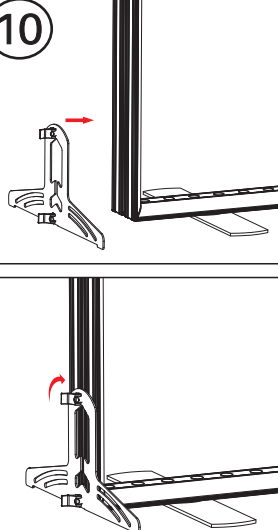
* Use cutter to create a 1" vertical slit on fabric, where M6 screws fit on TV bar. Don't worry fabric will not run.

9



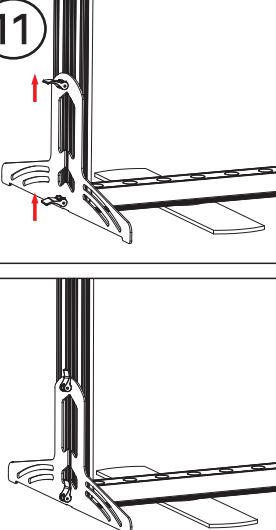
* Attach monitor plate with M6 screws, using Allen key. Add spacers as needed.

10



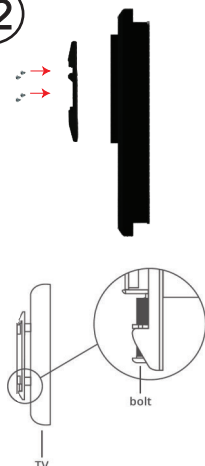
* Attach brackets to monitor and hang on the plate.

11



* Attach brackets to monitor and hang on the plate.

12



* Attach brackets to monitor and hang on the plate.

PARTS INCLUDED

Adhesive Cable Clips (4x)



Reusable Velcro Cable Ties (5x)

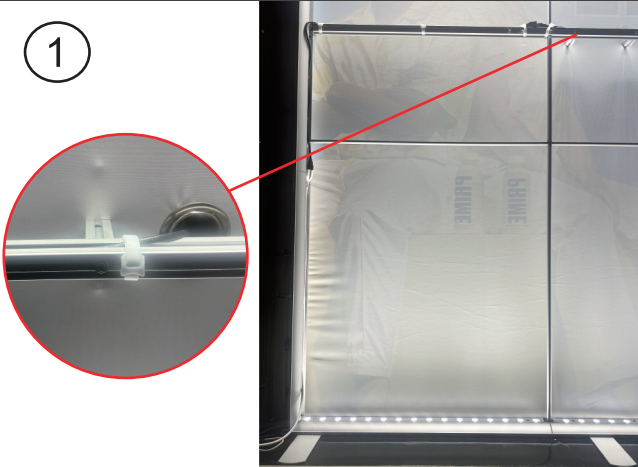


Resealable Lock Bag



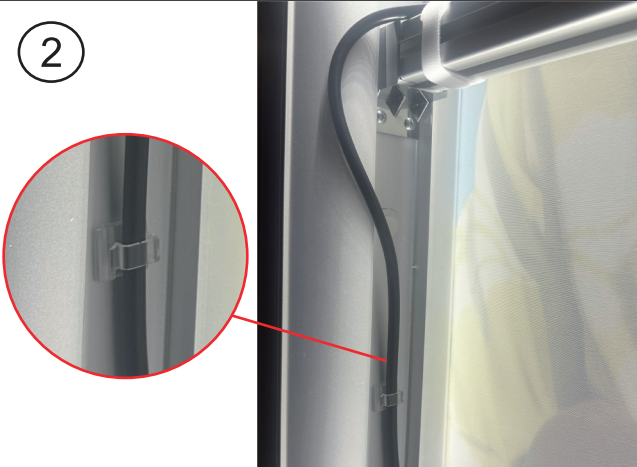
You will need 10ft Extension Cable

1



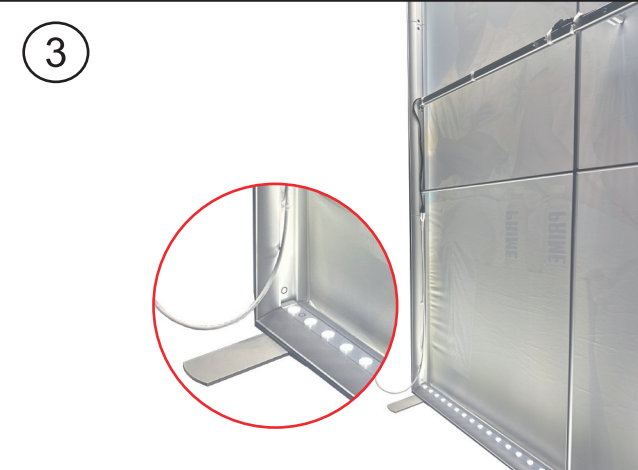
Connect the extension cable to your TV. Route cable inside the groove of the TV bar and use cable ties to secure in place.

2



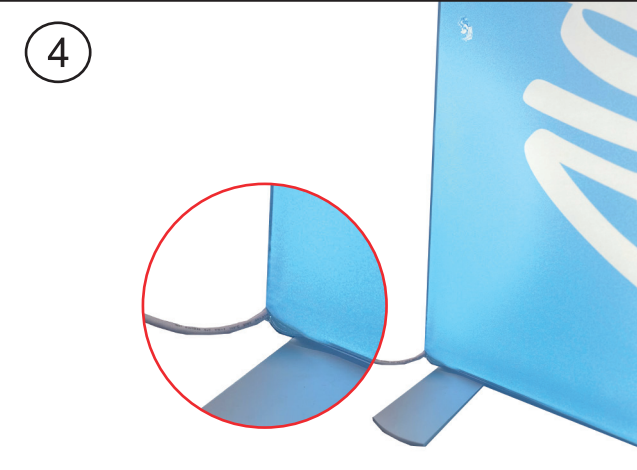
Attach wire clips to the frame. Then route the cable through and secure within the clips.

3

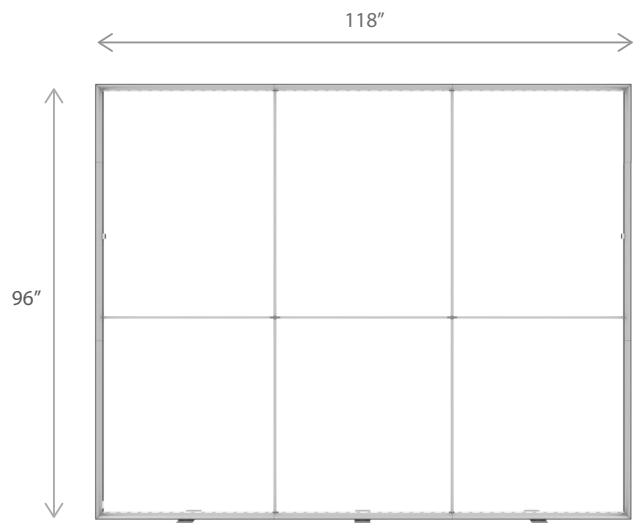


Route cable through the bottom corner of the frame.

4



Secure the vertical end of the graphic first, adjust cable, then finish with the bottom of the fabric



PRODUCT DESCRIPTION	
<p>BrightLine smart light box displays feature swift tool-free installation, durable light-weight frames, embedded LEDs, and exclusive One Planet recycled fabrics with impressive vivid graphics, all conveniently organized in a heavy-duty shipping case. Panel V features the most popular exhibit size, filling up a 10ft booth with brilliant allure.</p> <p>Mix-and-match with other BrightLine panels, or combine with WaveLine and StraightLine displays, to create unique branded environments. TV mounts and counters complete an enhanced experience to really make brands stand out.</p>	

KEY FEATURES	
<ul style="list-style-type: none"> • Easy tool free assembly • Lightweight portable construction • Magnetic power links • LED lights encapsulated in frame 	<ul style="list-style-type: none"> • Heavy duty shipping case, molded foam inserts • Single- or double-sided • Vibrant graphics on recycled fabric

DISPLAY CONSTRUCTION
Aluminum frame with aluminum support poles

DIMENSIONS	
Assembled Unit	118" w x 96" h x 4" d
Packed Case	46.5" w x 15" h x 12" d, 71 lbs
Shipping Box	47" w x 16" h x 13" d, 73 lbs
Graphic Size	118" w x 96" h

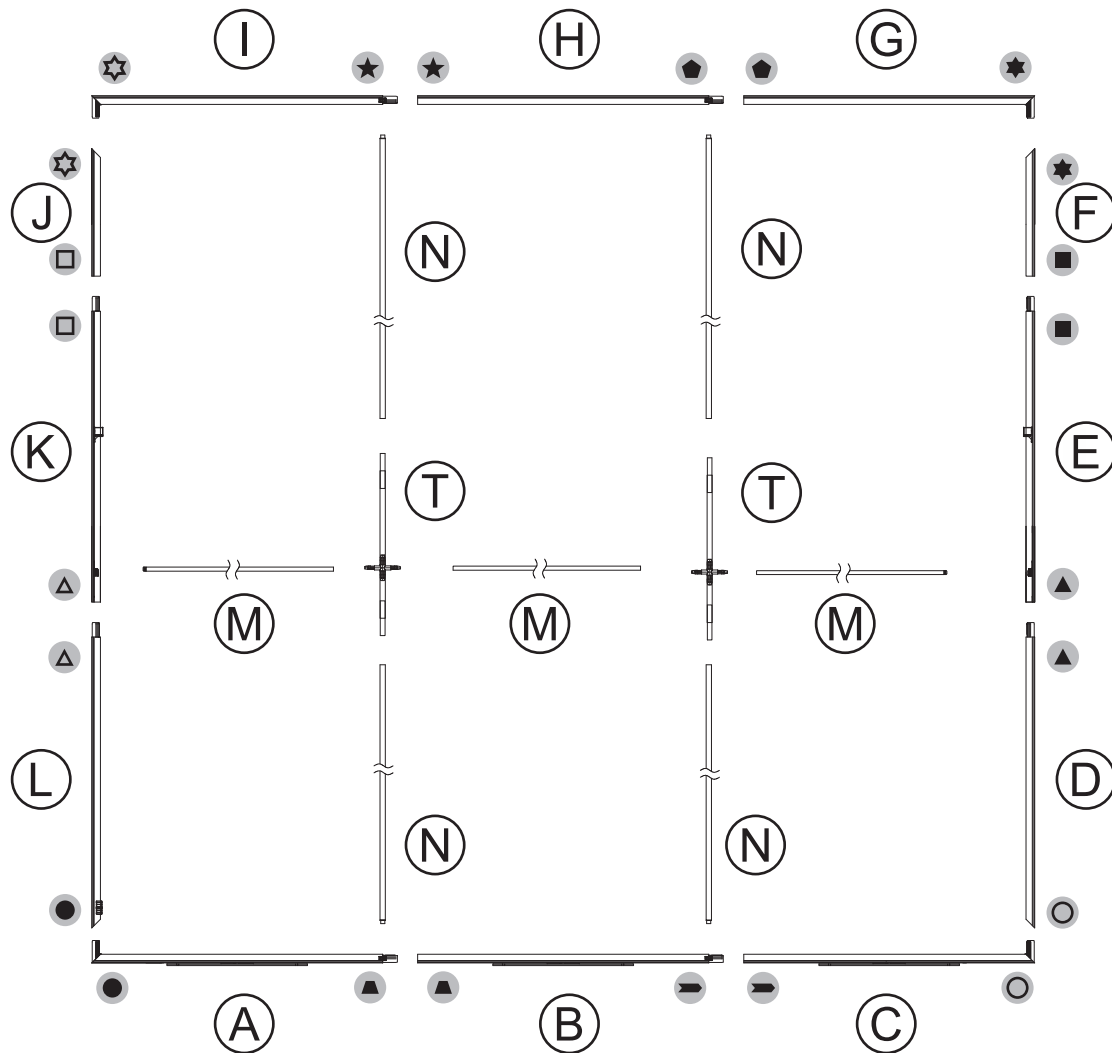
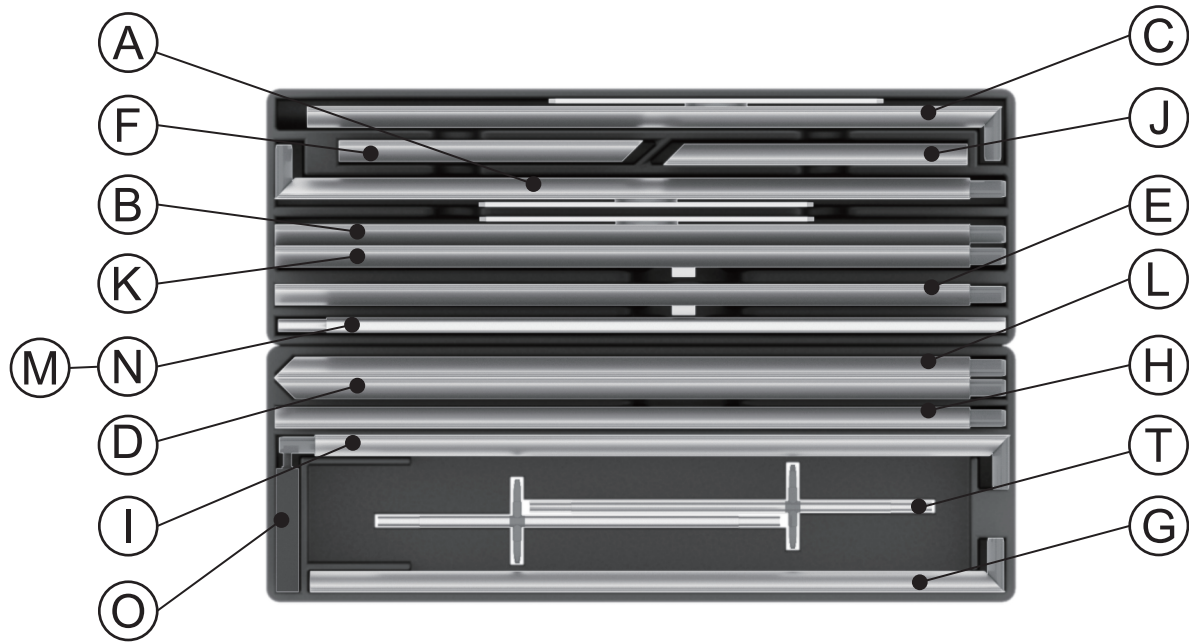
GRAPHIC MATERIAL	
Graphic Print : Dye sublimated on One Planet, 100% recycled, backlit fabric	Bottles recycled 82
Blocker : One Planet light block recycled fabric	Bottles recycled 33

LED LIGHT SPECIFICATIONS	
Power Requirements	192 W
CCT (Color Temp)	6000 K
Voltage Input	110 / 220V
Voltage Output	24V 11A 264W
Transformers Included	1

GRAPHIC FINISHING
Silicone sewn edges

WARRANTY
Limited Warranty Periods
- Frame : Lifetime
- Lights : 90 days
- Graphics : 30 days

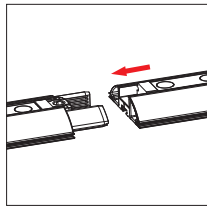
PARTS



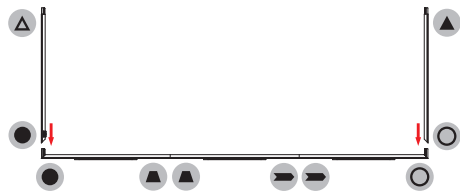
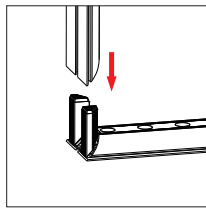
ASSEMBLY

Assemble parts on the floor and stand-up unit when completed.

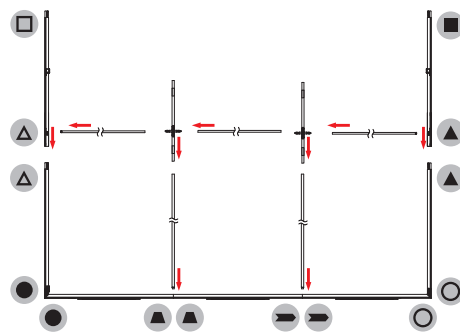
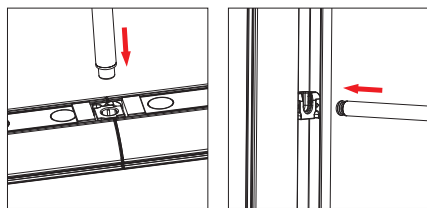
1



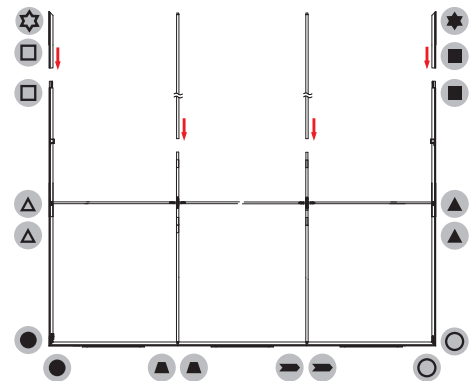
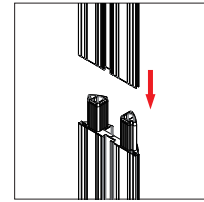
2



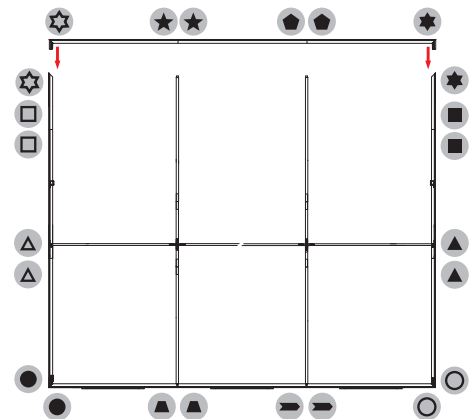
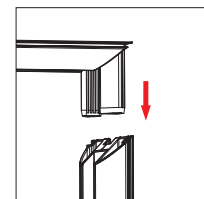
3



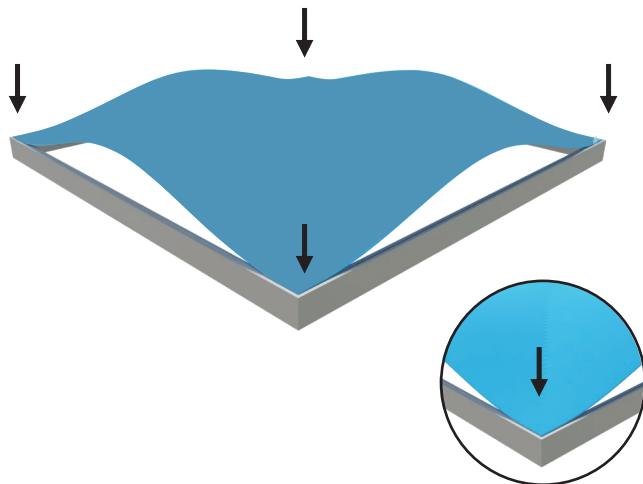
4



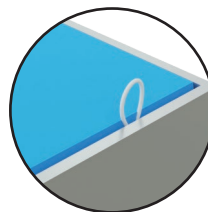
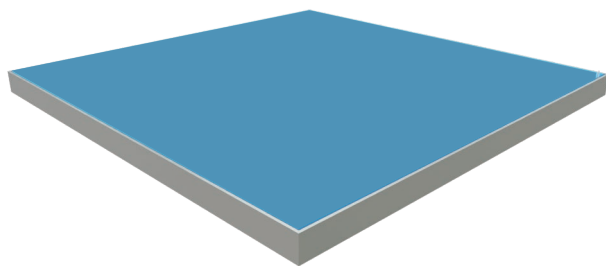
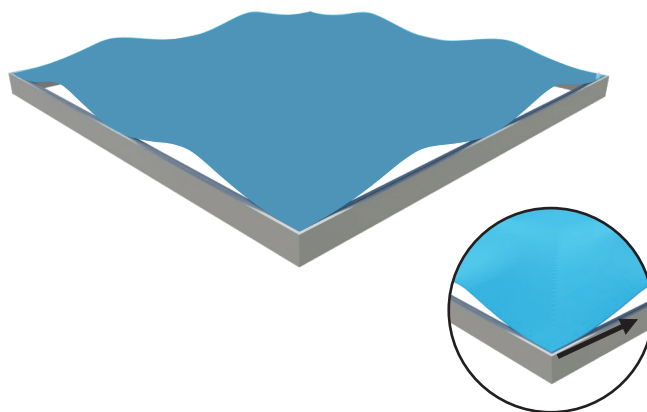
5



6 Push the silicone bead into each corner of the frame with your thumb.

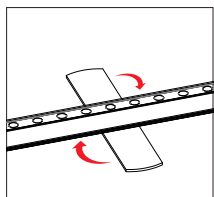
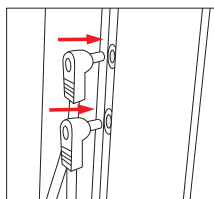


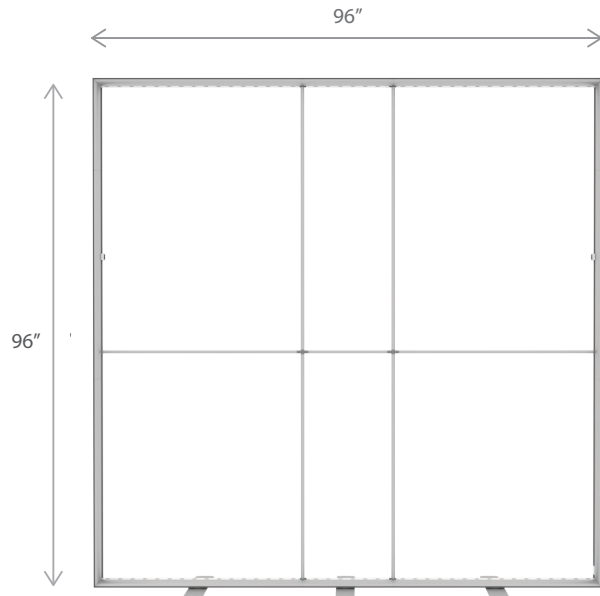
Push the silicone bead into the middle of the run and work your way around the perimeter of the frame until all beading is pushed in properly



To Remove Graphic
Use the pull tab located on the graphic and gently pull the graphic from the frame, going around the perimeter

7





PRODUCT DESCRIPTION

BrightLine smart light box displays feature swift tool-free installation, durable light-weight frames, embedded LEDs, and exclusive One Planet recycled fabrics with impressive vivid graphics, all conveniently organized in a heavy-duty shipping case. Panel X is the perfect illuminated square, a coveted canvas for demanding brands.

Mix-and-match with other BrightLine panels, or combine with WaveLine and StraightLine displays, to create unique branded environments. TV mounts and counters complete an enhanced experience to really make brands stand out.

KEY FEATURES

- Easy tool free assembly
- Lightweight portable construction
- Magnetic power links
- LED lights encapsulated in frame
- Heavy duty shipping case, molded foam inserts
- Single- or double-sided
- Vibrant graphics on recycled fabric

DISPLAY CONSTRUCTION

Aluminum frame with aluminum support poles

DIMENSIONS

Assembled Unit	96" w x 96" h x 4" d
Packed Case	46.5" w x 15" h x 12" d, 65 lbs
Shipping Box	47" w x 16" h x 13" d, 67 lbs
Graphic Size	96" w x 96" h

GRAPHIC MATERIAL

Graphic Print : Dye sublimated on One Planet, 100% recycled, backlit fabric	Bottles recycled 67
Blocker : One Planet light block recycled fabric	Bottles recycled 27

LED LIGHT SPECIFICATIONS

Power Requirements	152 W
CCT (Color Temp)	6000 K
Voltage Input	110 / 220V
Voltage Output	24V 11A 264W
Transformers Included	1

GRAPHIC FINISHING

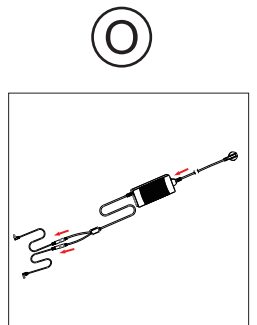
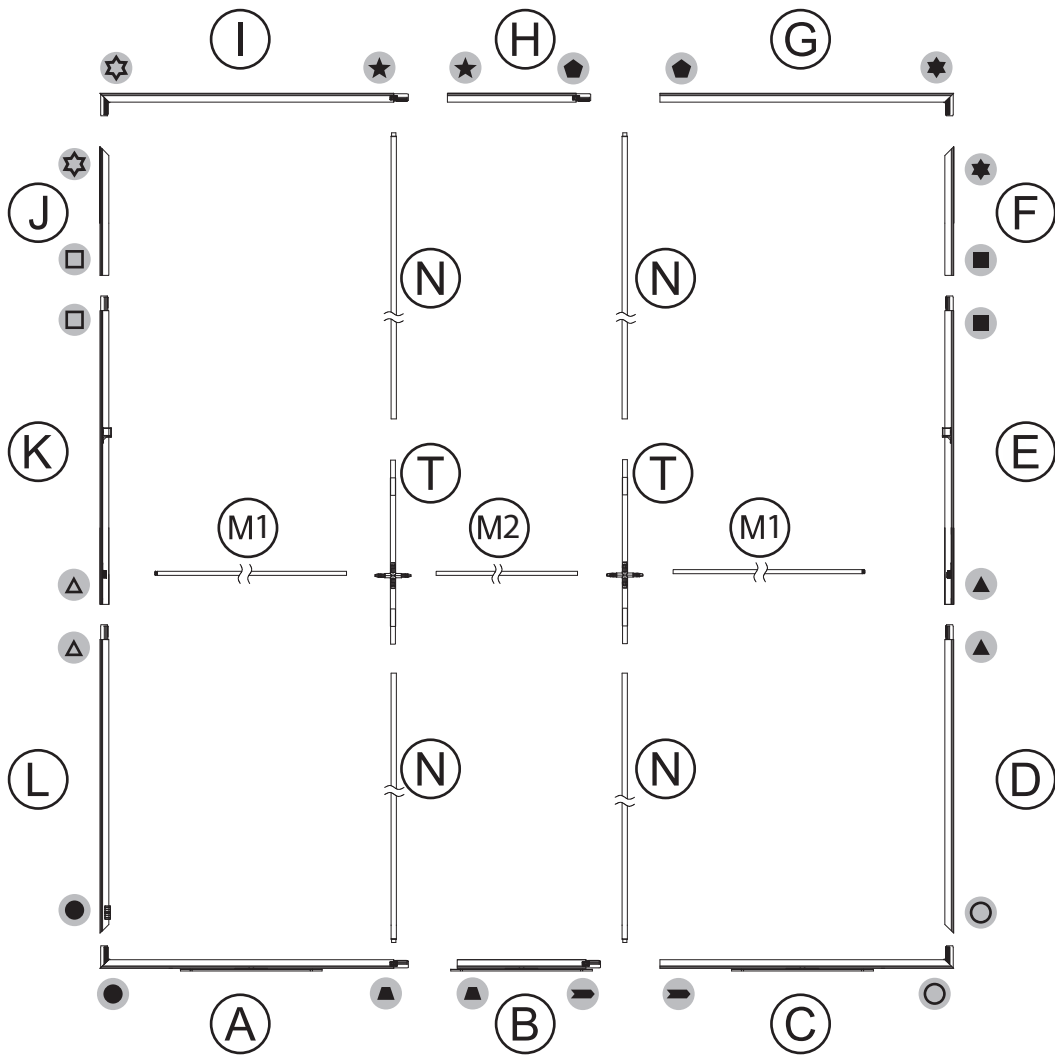
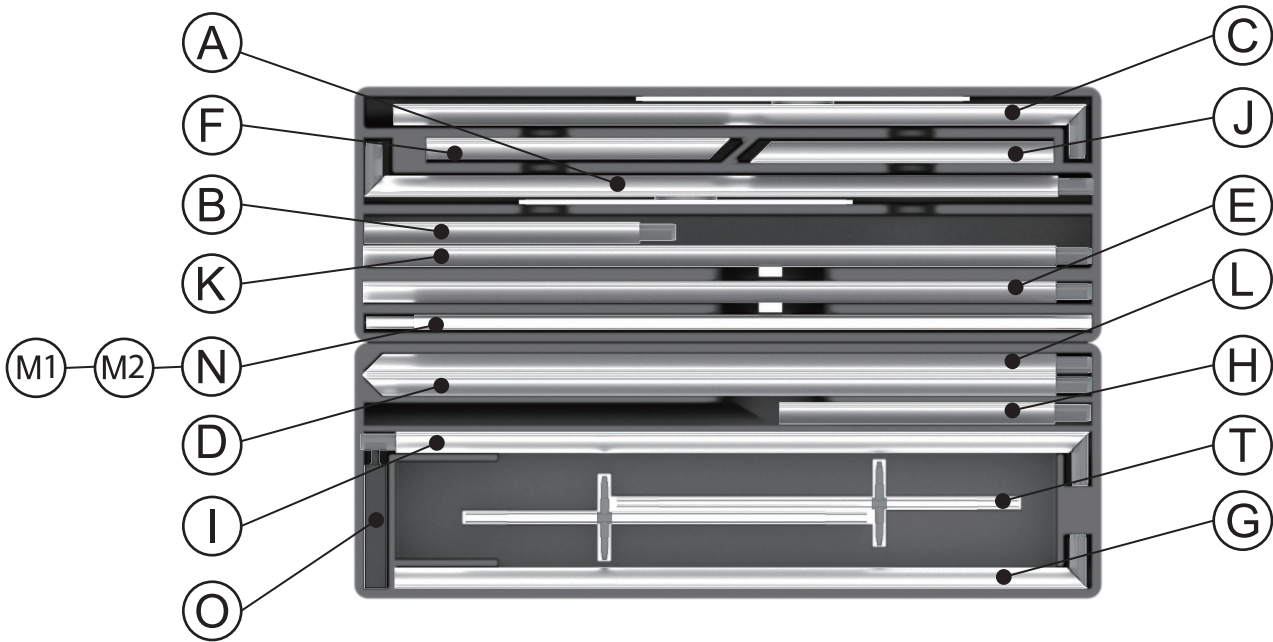
Silicone sewn edges

WARRANTY

Limited Warranty Periods

- Frame : Lifetime
- Lights : 90 days
- Graphics : 30 days

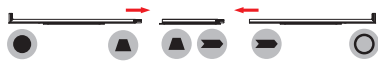
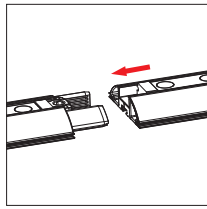
PARTS



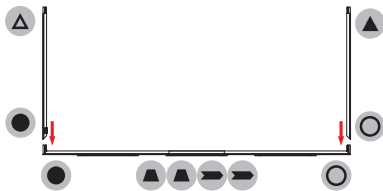
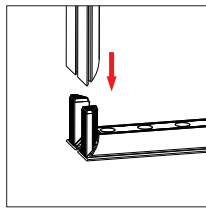
ASSEMBLY

Assemble parts on the floor and stand-up unit when completed.

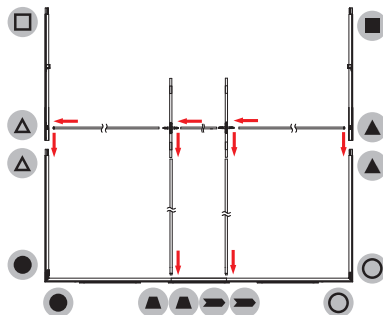
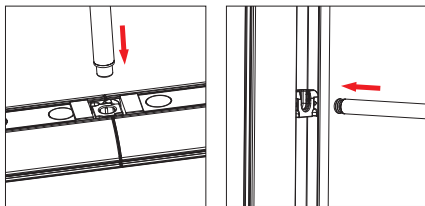
1



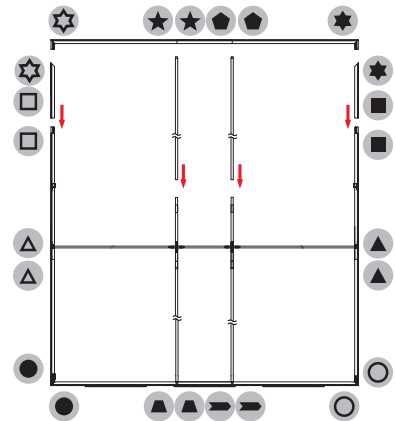
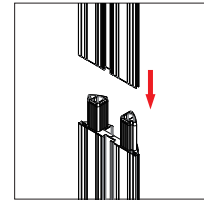
2



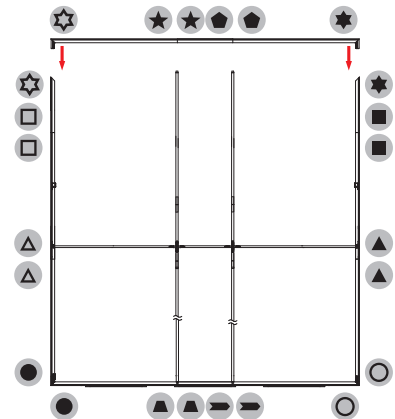
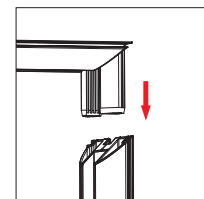
3



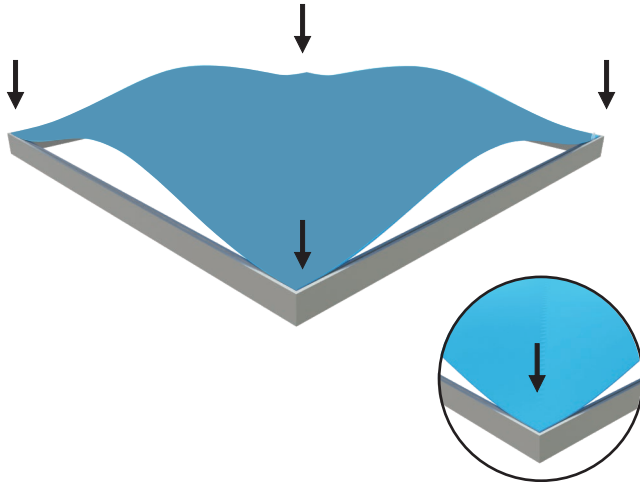
4



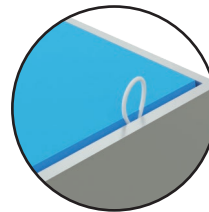
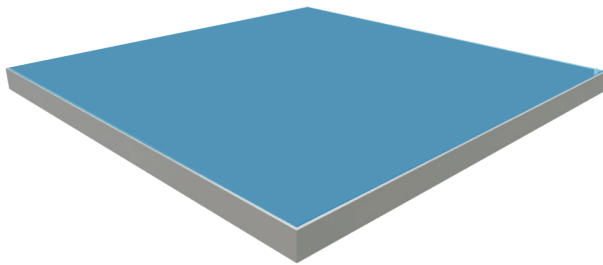
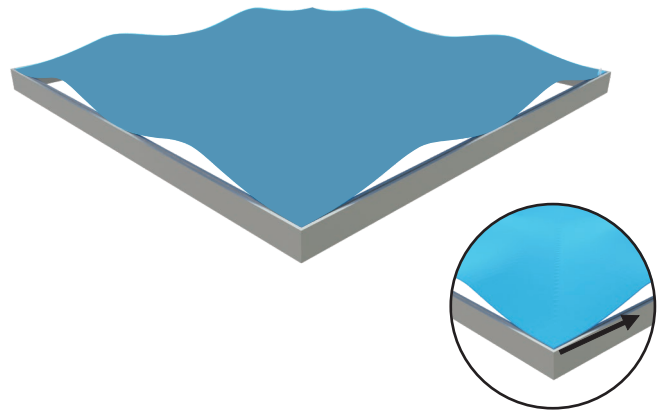
5



5 Push the silicone bead into each corner of the frame with your thumb.

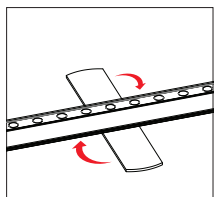
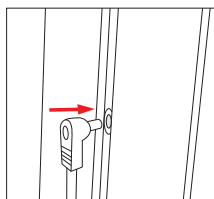


Push the silicone bead into the middle of the run and work your way around the perimeter of the frame until all beading is pushed in properly



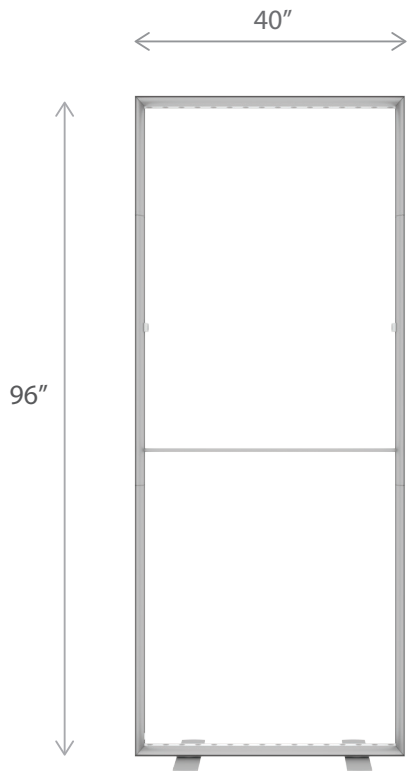
To Remove Graphic
Use the pull tab located on the graphic and gently pull the graphic from the frame, going around the perimeter

6



StraightLine

SLM-2000J



PRODUCT DESCRIPTION

StraightLine SEG display systems feature convenient tool-free assembly, durable light-weight frames, and silicone-edge graphics printed on exclusive One Planet recycled fabrics with impressive vivid graphics, all conveniently organized within molded inserts in a heavy-duty shipping case. Panel J offers versatile display possibilities, functioning as a stand-alone banner, a closing sidewall, or combined for an impeccable 10ft or 20ft presentation.

Upgrade to double-sided graphics, mix-and-match with other StraightLine panels, or combine with WaveLine and BrightLine displays, to create unique branded environments. TV mounts and counters complete an enhanced experience to help brands stand out.

KEY FEATURES

- Modular system
- Easy tool free assembly
- Lightweight portable construction
- Heavy duty shipping case, molded foam inserts
- Single- or double-sided
- Vibrant graphics on recycled fabric

GRAPHIC MATERIAL

Graphic Print :
Dye sublimated on One Planet, 100% recycled, fabric

Bottles recycled
28

DISPLAY CONSTRUCTION

Aluminum frame with aluminum support poles

GRAPHIC FINISHING

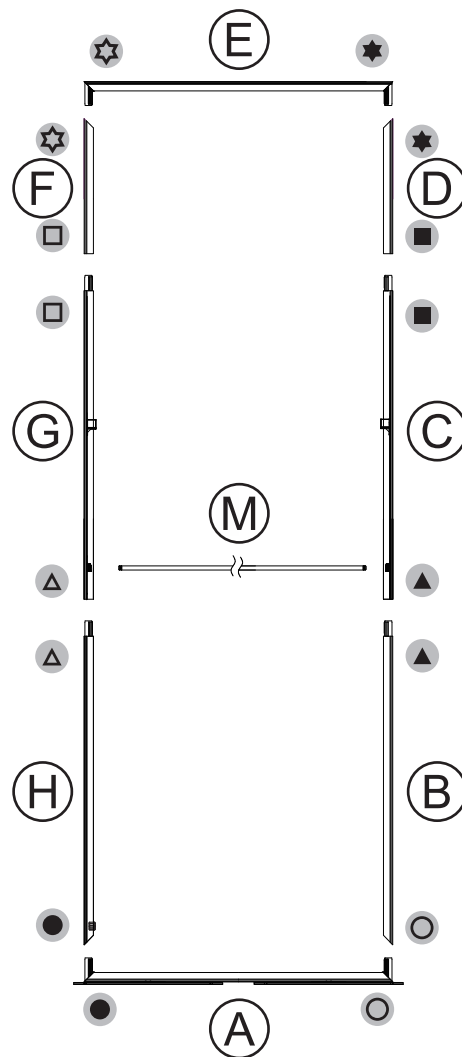
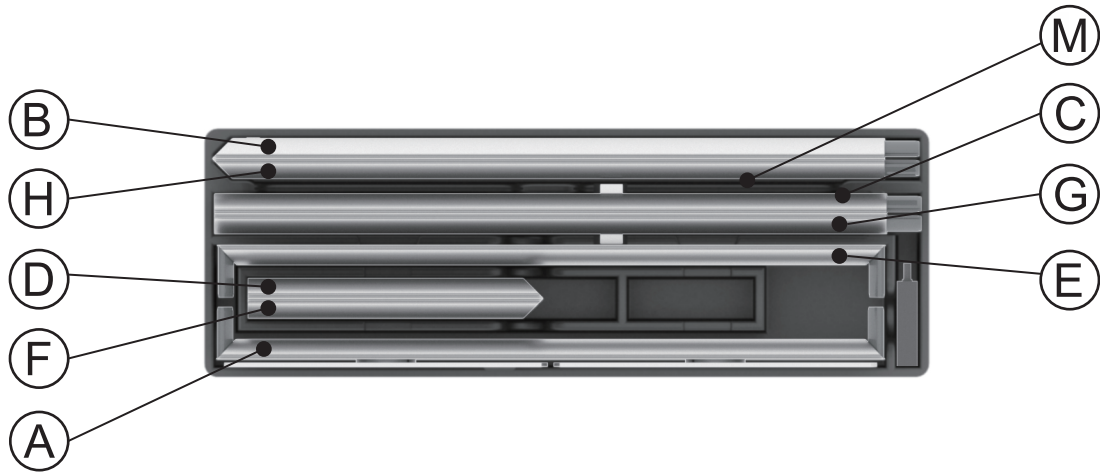
Silicone sewn edges

DIMENSIONS

Assembled Unit	40"w x 96"h x 4"d
Packed Case	46.5"w x 15"h x 8.7"d, 34 lbs
Shipping Box	47"w x 16"h x 10"d, 36 lbs
Graphic Size	40"w x 96"h

WARRANTY

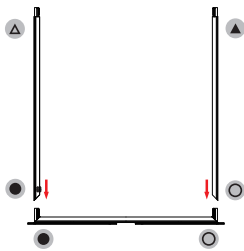
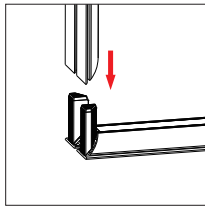
Limited Warranty Periods
- Frame : Lifetime
- Graphics : 30 days



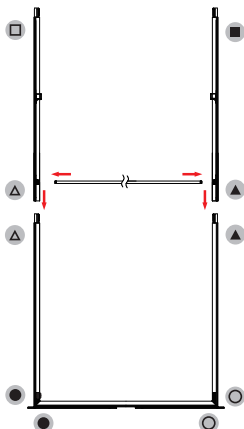
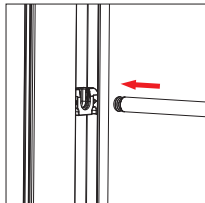
ASSEMBLY

Assemble parts on the floor and stand-up unit when completed.

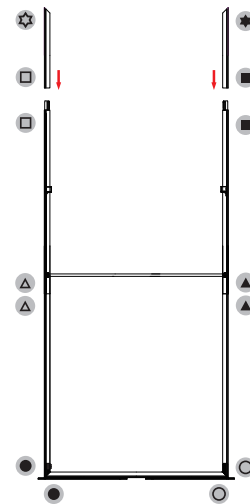
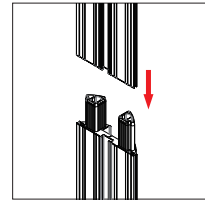
1



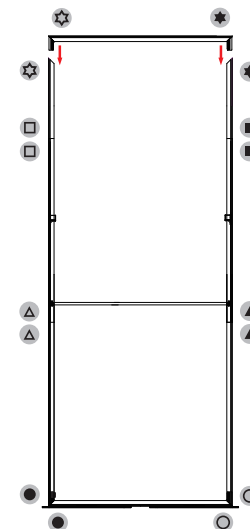
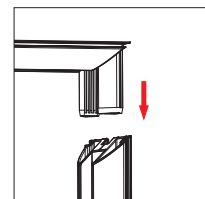
2



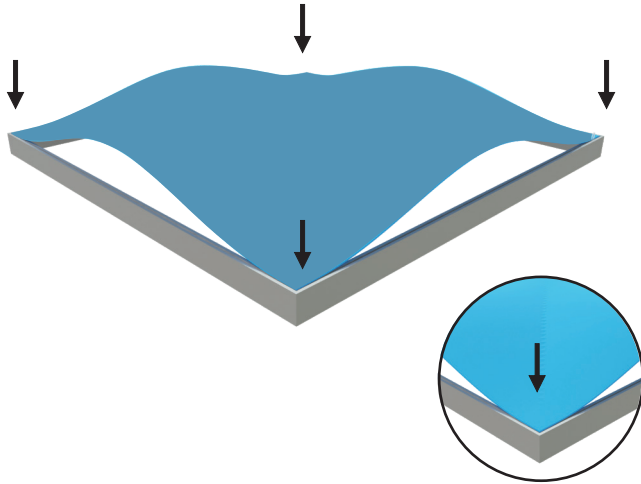
3



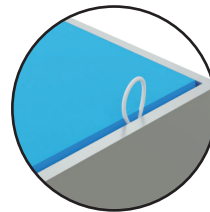
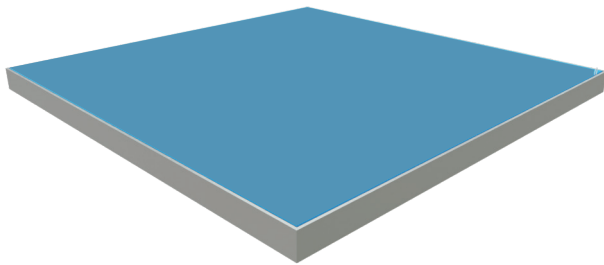
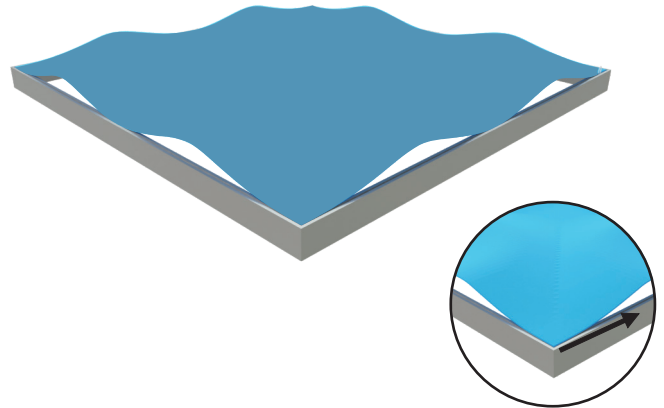
4



5 Push the silicone bead into each corner of the frame with your thumb.

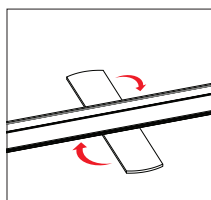


Push the silicone bead into the middle of the run and work your way around the perimeter of the frame until all beading is pushed in properly



To Remove Graphic
Use the pull tab located on the graphic and gently pull the graphic from the frame, going around the perimeter

6





PRODUCT DESCRIPTION	
<p>Elevate any display with StraightLine J Doors, expertly crafted for both security and style. Featuring an anti-tampering keyless combination lock, they ensure safe and secure storage during events. Their sleek, modern design seamlessly integrates with StraightLine & BrightLine modular displays, providing a seamless integration. With One Planet Graphics, these doors come fully branded with double-sided graphics for enhanced brand visibility.</p> <p>Designed for effortless setup, the tool-free assembly saves time, while the collapsible design allows for easy packing into foam-lined shipping cases for ultimate portability. Offering the perfect blend of functionality and sophistication, StraightLine J Doors are an essential addition to any brand event or booth.</p>	

DISPLAY CONSTRUCTION	
Aluminum frame with aluminum support poles	

DIMENSIONS	
Assembled Unit	40"w x 89"h x 4" d
Packed Case	46.5"w x 15"h x 8.7"d, 44 lbs
Shipping Box	47"w x 16"h x 10"d, 46 lbs
Graphic Size	40"w x 89"h

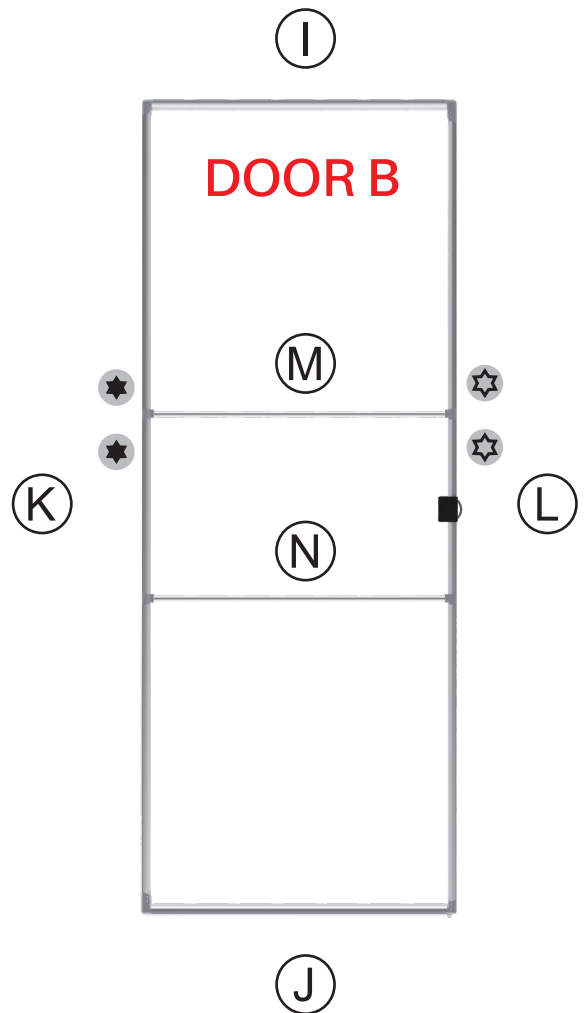
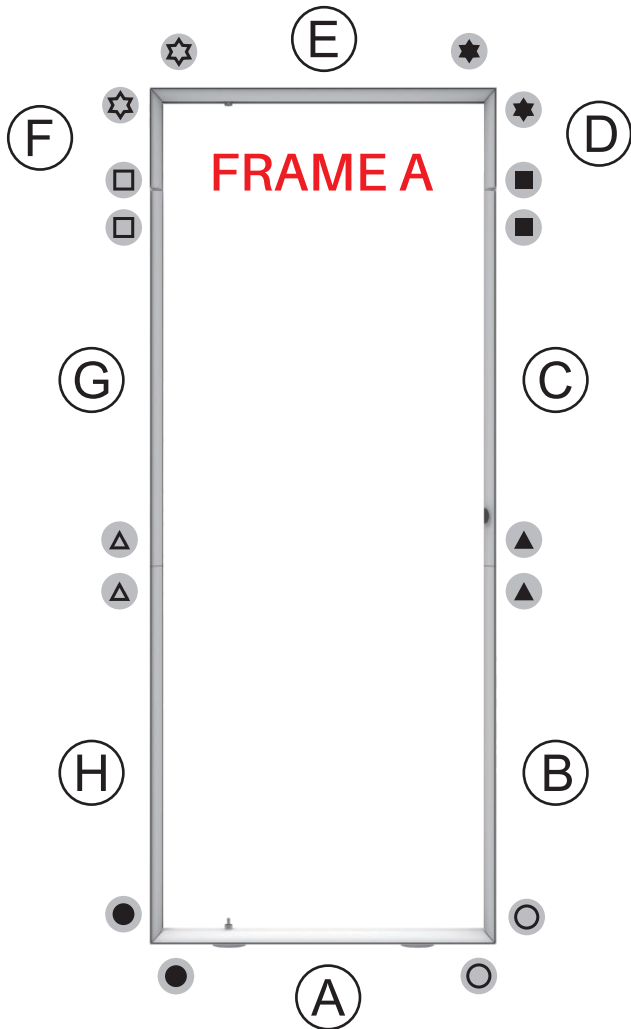
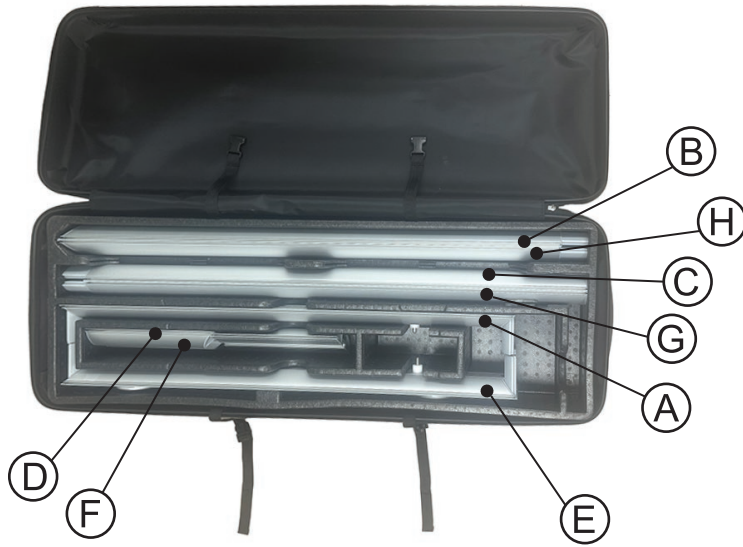
KEY FEATURES	
<ul style="list-style-type: none"> • Modular system • Easy tool free assembly • Lightweight portable construction • Anti-tampering keyless combination lock 	<ul style="list-style-type: none"> • Heavy duty shipping case, molded foam inserts • Includes 2 printed graphics • Vibrant graphics on recycled fabric

GRAPHIC MATERIAL	
Graphic Print : Dye sublimated on One Planet, 100% recycled, fabric	Bottles recycled 48

GRAPHIC FINISHING	
Silicone sewn edges	

WARRANTY	
Limited Warranty Periods - Frame : Lifetime - Graphics : 30 days	

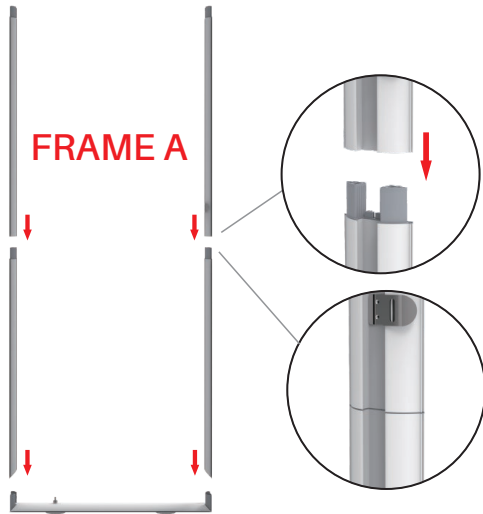
PARTS



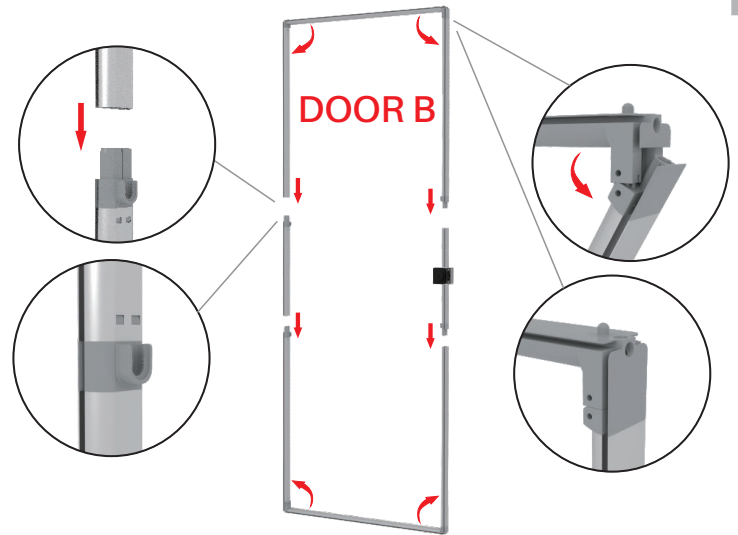
ASSEMBLY

Assemble parts on the floor and stand-up unit when completed.

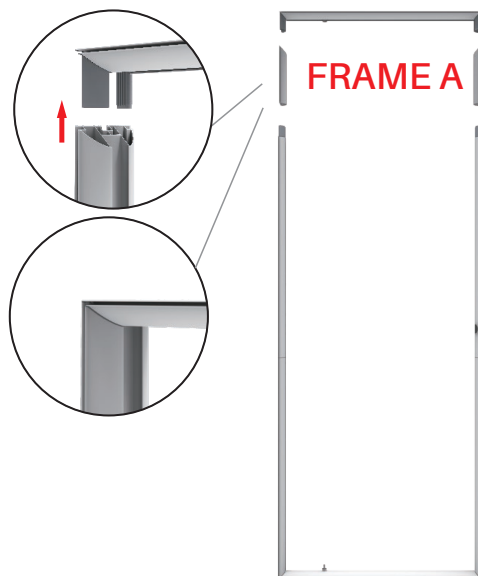
1



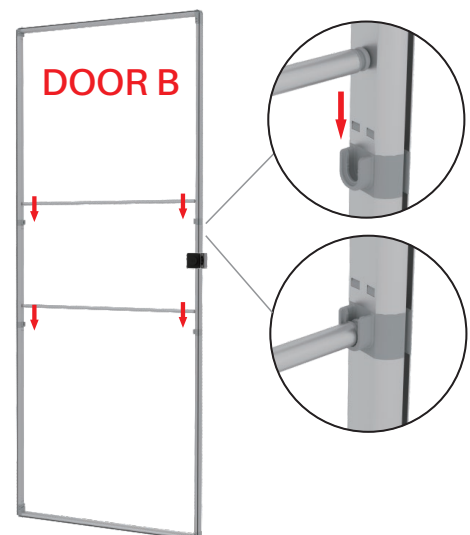
3



2



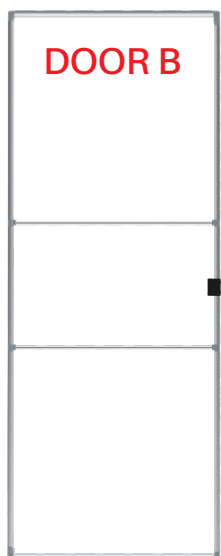
4



ASSEMBLY

Assemble parts on the floor and stand-up unit when completed.

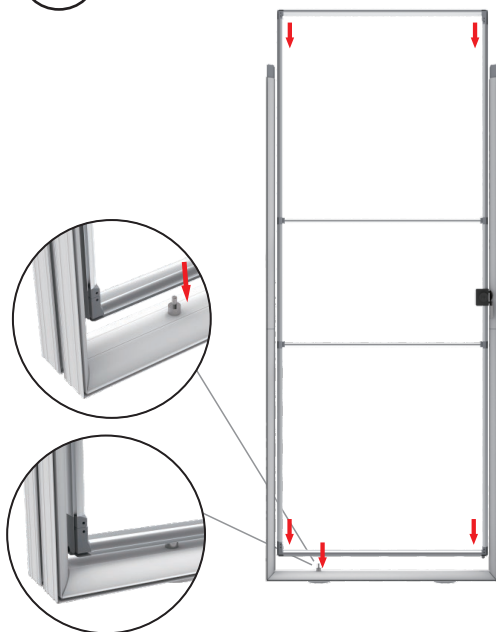
5



7



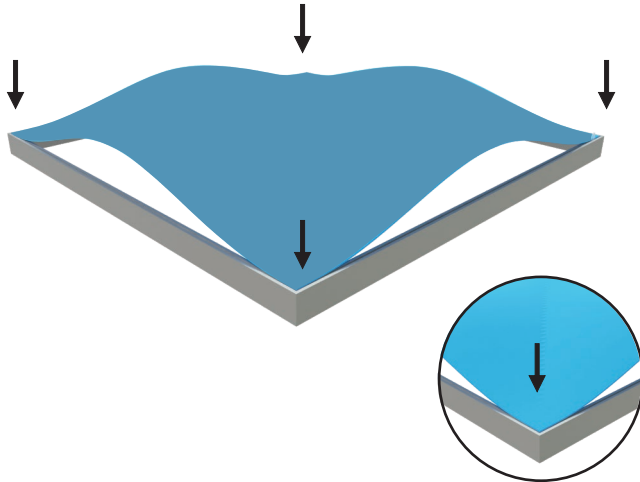
6



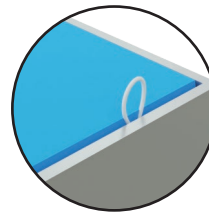
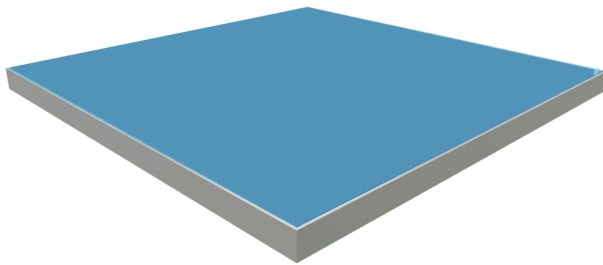
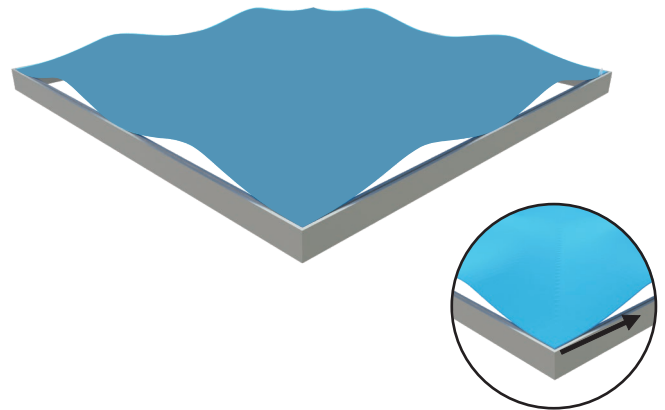
8



9 Push the silicone bead into each corner of the frame with your thumb.



Push the silicone bead into the middle of the run and work your way around the perimeter of the frame until all beading is pushed in properly



To Remove Graphic
Use the pull tab located on the graphic and gently pull the graphic from the frame, going around the perimeter

10



Turn to default passcode (000) and twist knob to unlocked position

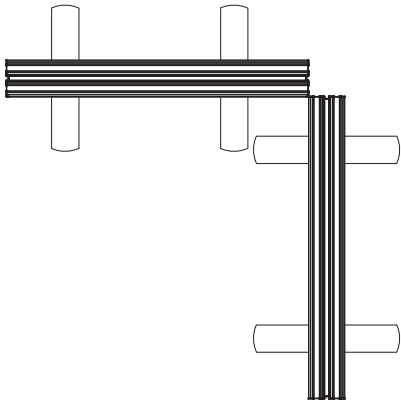


Insert pin in the reset hole on the side and keep pressing while setting new passcode

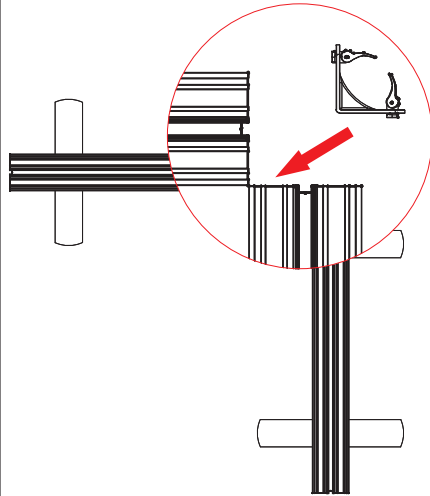


Release and remove pin from hole

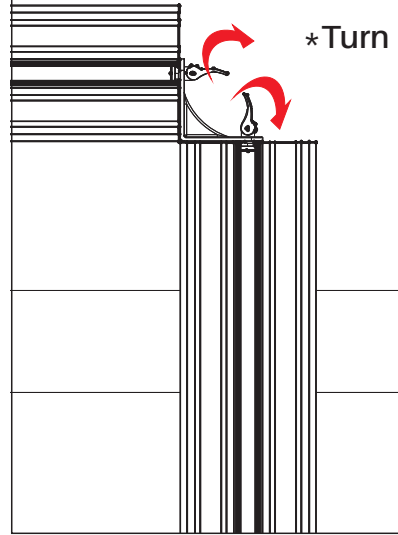
① *Align frames at 90°



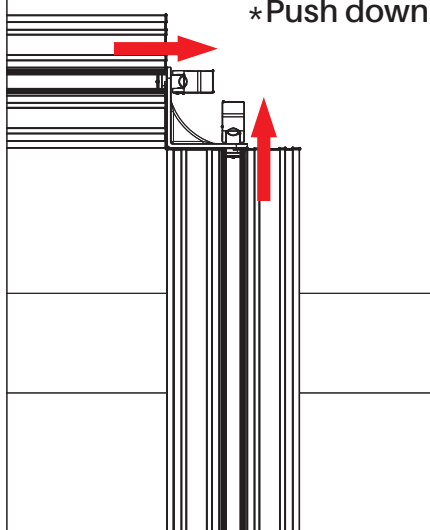
② *Insert connector into channel



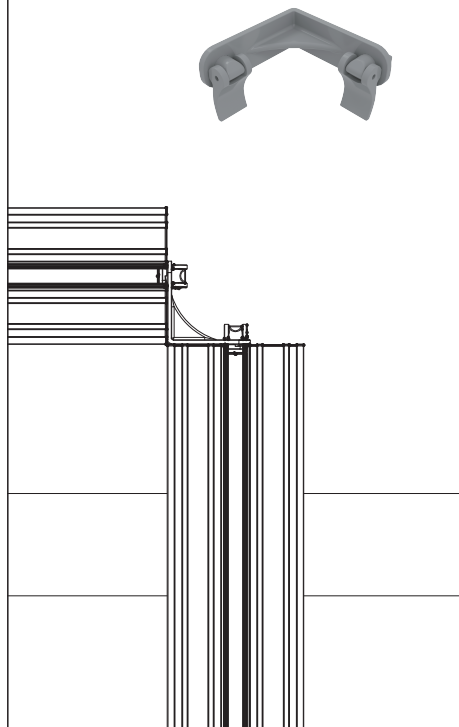
③ *Turn



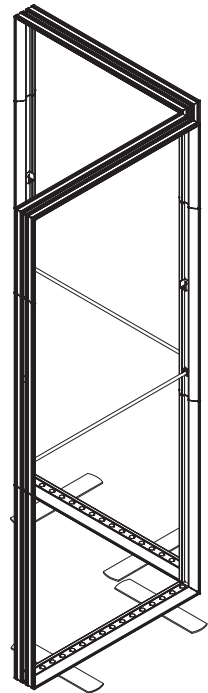
④ *Push down



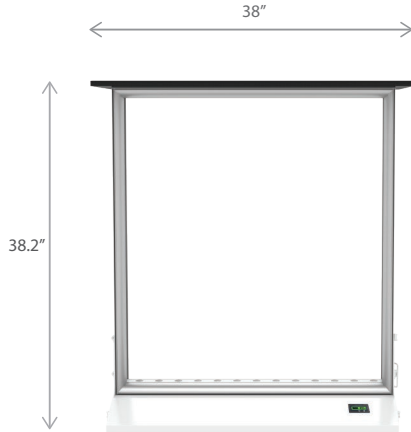
⑤ *Closed view



⑥



Counter
BLM-COUNTER-K



PRODUCT DESCRIPTION

The BrightLine backlit counter stands as a beacon of sophistication, seamlessly blending illumination, and functionality. Its sleek design, showcasing double-sided graphics, creates an ambiance that draws attention. Complete an inviting environment with brilliant counters showcasing double-sided branding and ample countertops that fit laptops or tablets.

Upgrade to the cordless version, where the base is loaded with rechargeable batteries that last over 12 hours. Whether in a showroom, a tradeshow exhibit, or a retail environment, the backlit counter defines a modern elegance and functionality in perfect harmony.

KEY FEATURES

- Easy tool free assembly
- Lightweight portable construction
- Magnetic power links
- LED lights encapsulated in frame
- Heavy duty shipping case, molded foam inserts
- Single- or double-sided
- Vibrant graphics on recycled fabric

DISPLAY CONSTRUCTION

Aluminum frame with aluminum support poles

DIMENSIONS

Assembled Unit	38" w x 38.2" h x 15.8" d
Packed Case	43" w x 23" h x 13.5" d, 59 lbs
Shipping Box	44" w x 23" h x 14" d, 61 lbs
Graphic Size	33" w x 36" h
Countertop	38" w x 0.625" h x 15.75" d
Base	33" w x 1.6" h x 15" d
Graphic Frame	33" w x 36" h x 4.8" d

GRAPHIC MATERIAL

Graphic Print : Dye sublimated on One Planet, 100% recycled, backlit fabric	Bottles recycled 9
Blocker : One Planet light block recycled fabric	Bottles recycled 4

GRAPHIC FINISHING

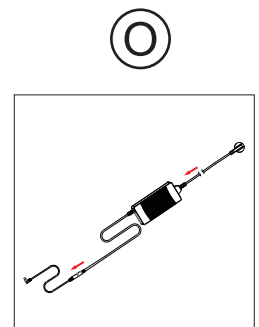
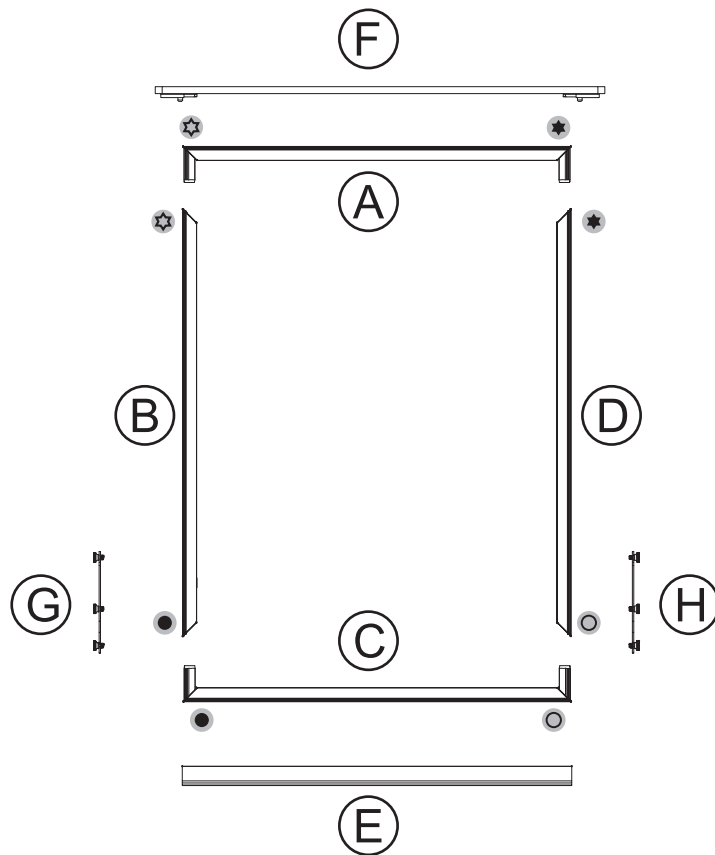
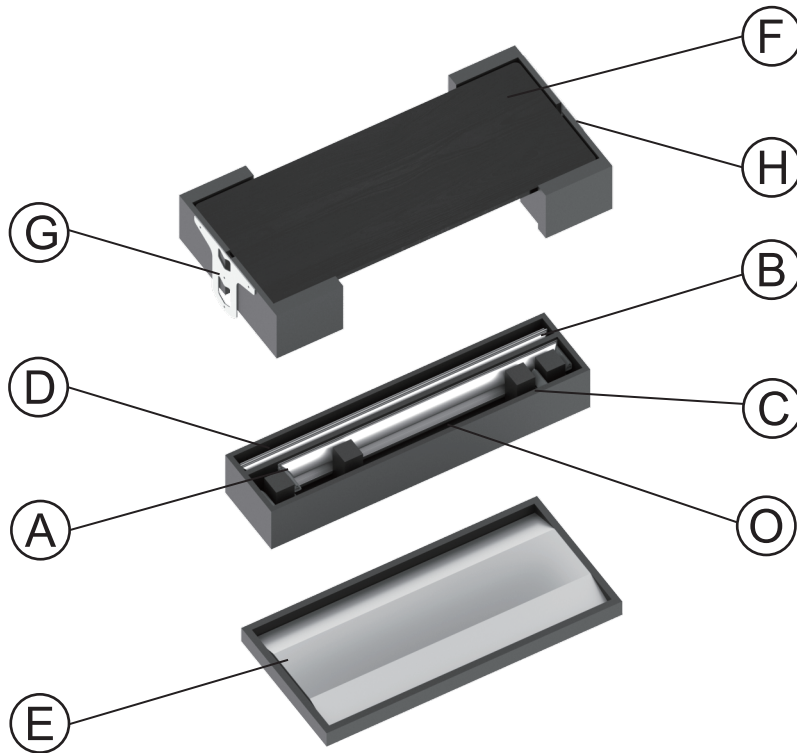
Silicone sewn edges

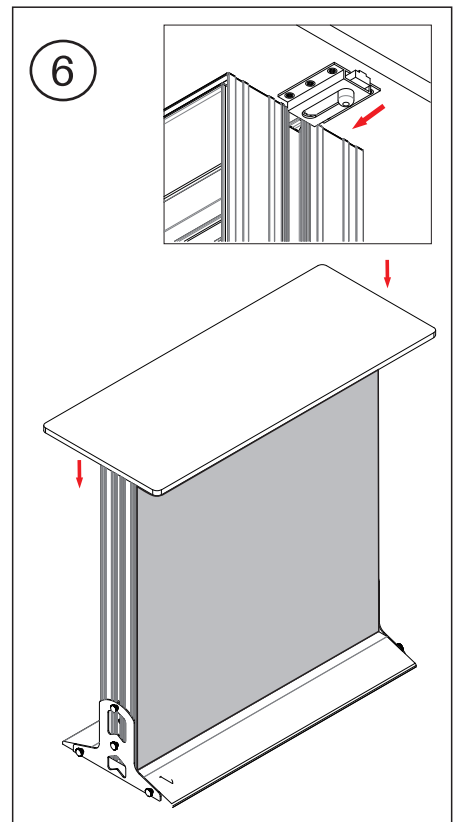
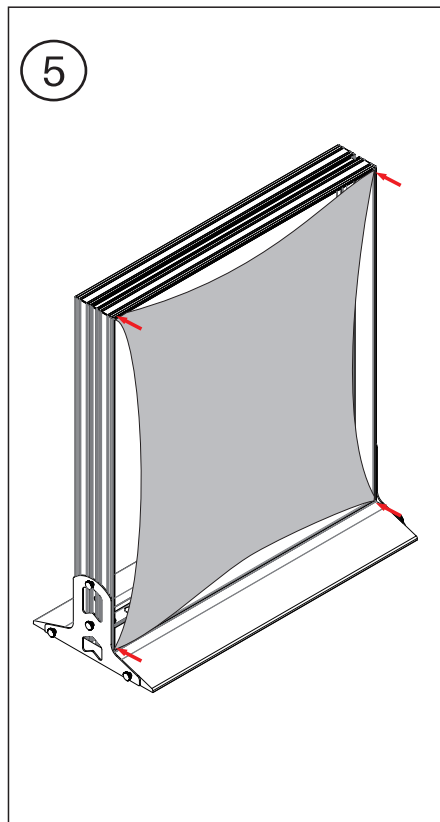
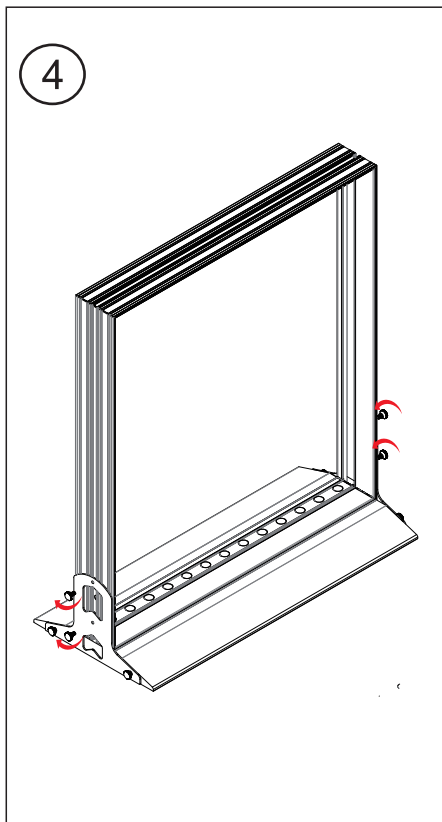
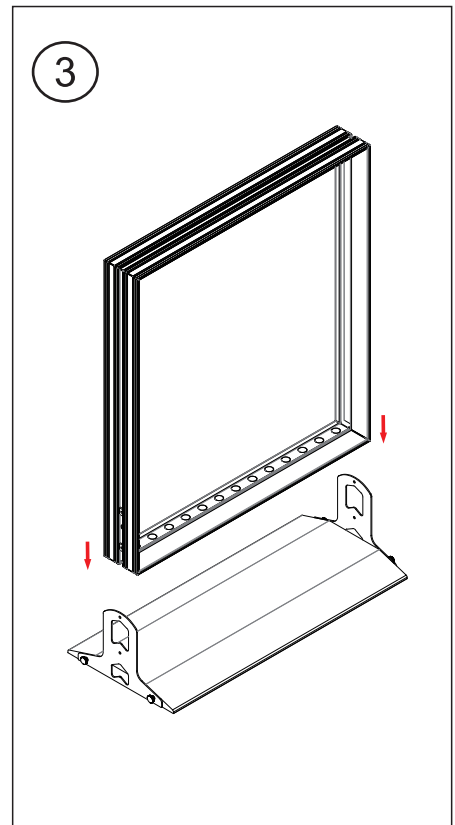
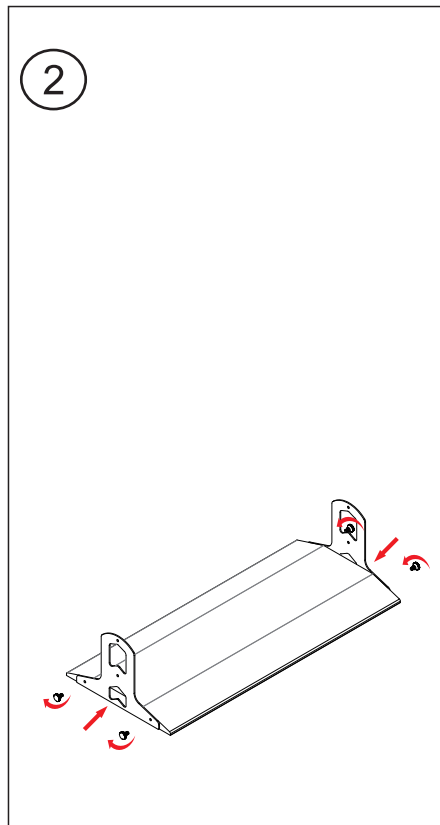
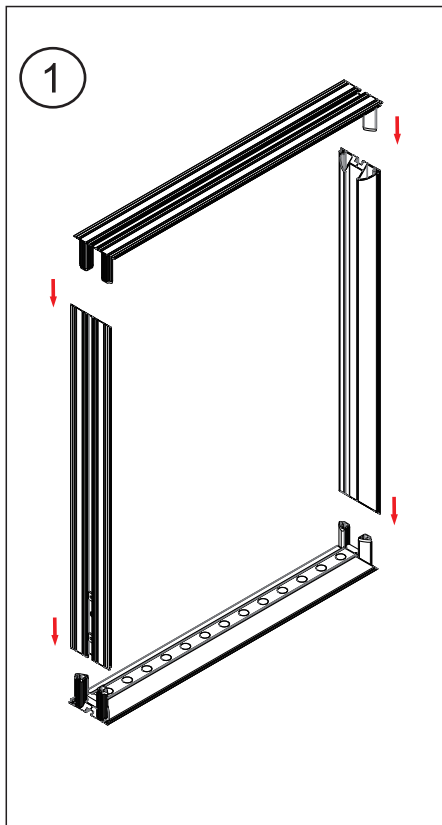
LED LIGHT SPECIFICATIONS

Power Requirements	64 W
CCT (Color Temp)	6000 K
Voltage Input	110 / 220V
Voltage Output	24V 4A 96W
Transformers Included	1

WARRANTY

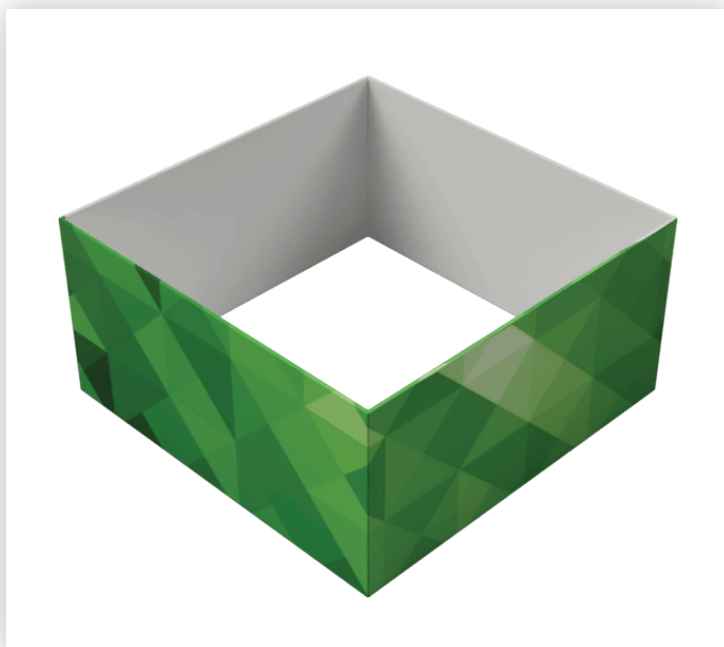
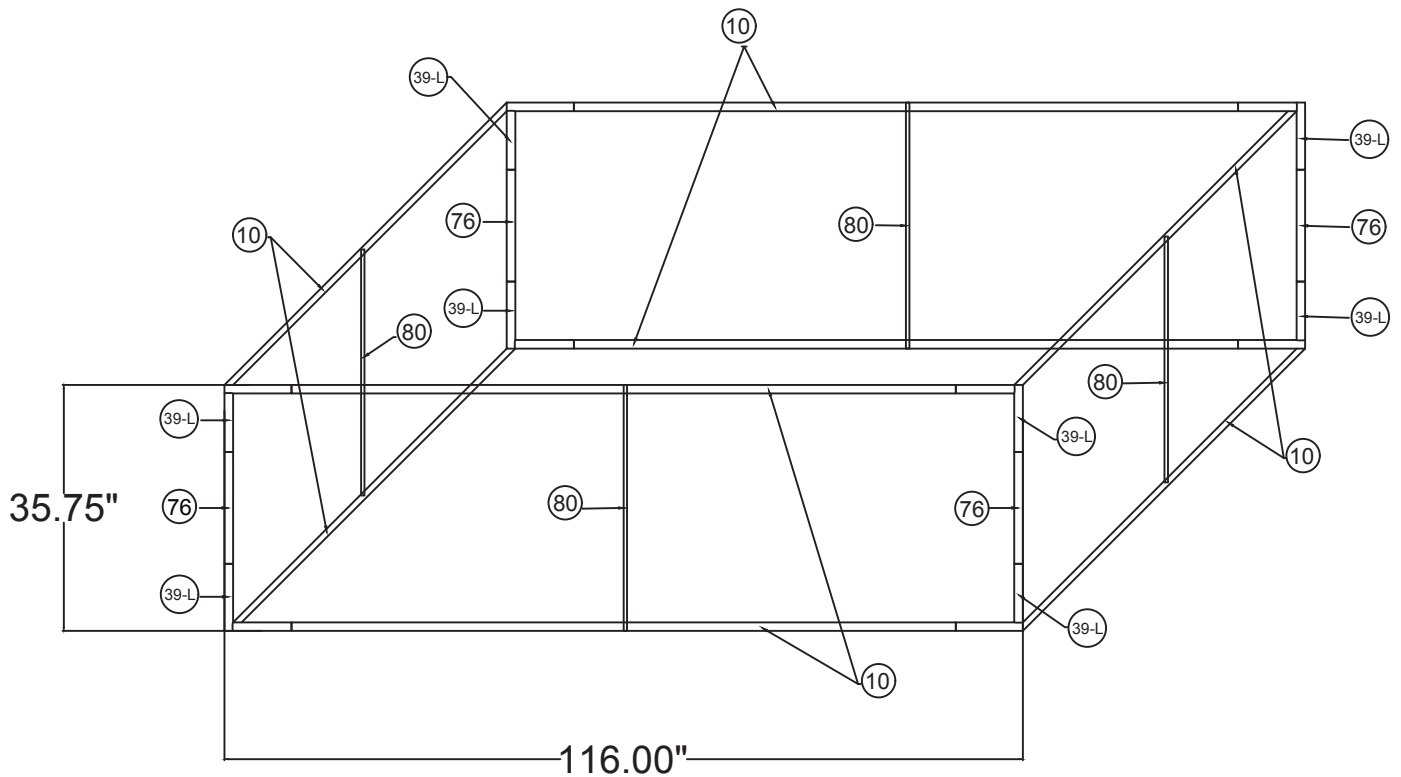
Limited Warranty Periods
 - Frame : Lifetime
 - Lights : 90 days
 - Graphics : 30 days





WAVELINE®

10'w x 3'h WL Hanging Sign



SHS1036

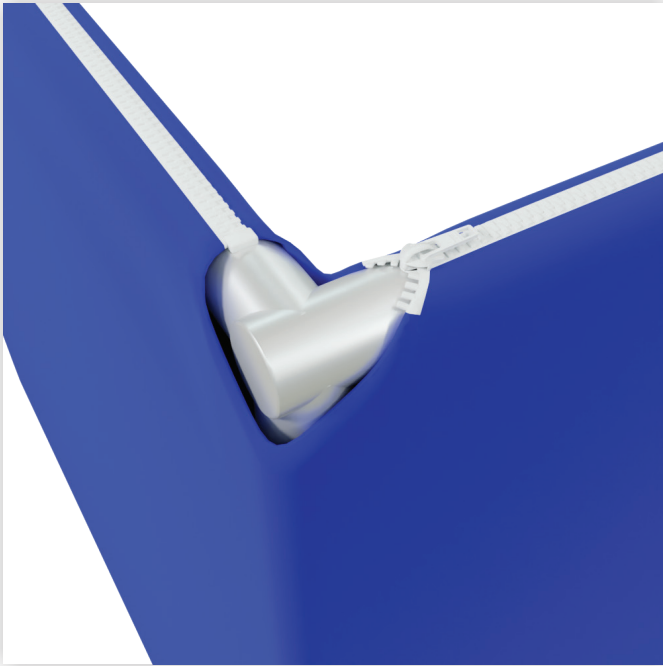
10'w x 3'h WL Hanging Sign	
Qty.	Part Number
8	WLM#039L-US
4	WLM#076
4	WLM#080
8	WLM#010
1	BGO-FABRIC-L bag

Notes:

- * Does not include Hanging Cables
- * Will fit inside a CA600 or CA900 case

WAVELINE®

Hanging Sign Rigging Instructions



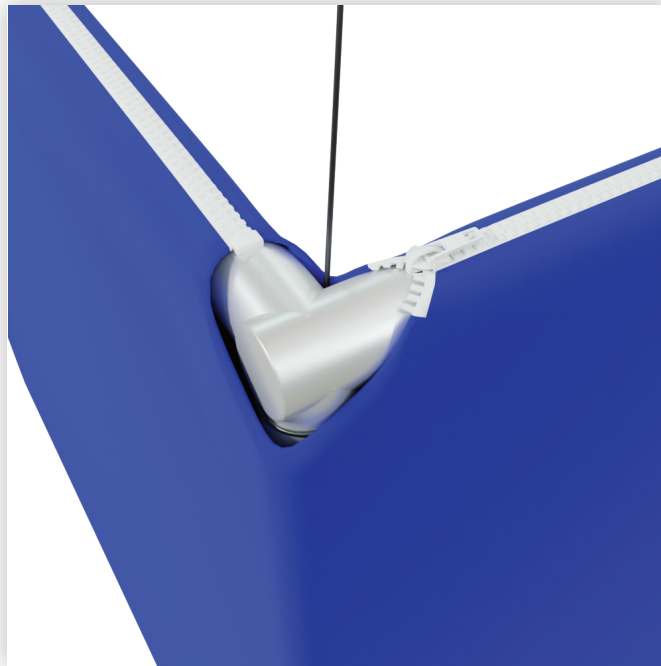
Step 1

After assembling the sign, locate the hanging points. There are openings on the zipper to allow for cables to be inserted



Step 2

Open the zippers to expose the hanging area, then wrap the cables around the vertical support pole



Step 3

Pull the cable through the opening in the fabric. Close the zippers.

*Hanging cables are not included in the kit, to be provided by on-site rigging team.