

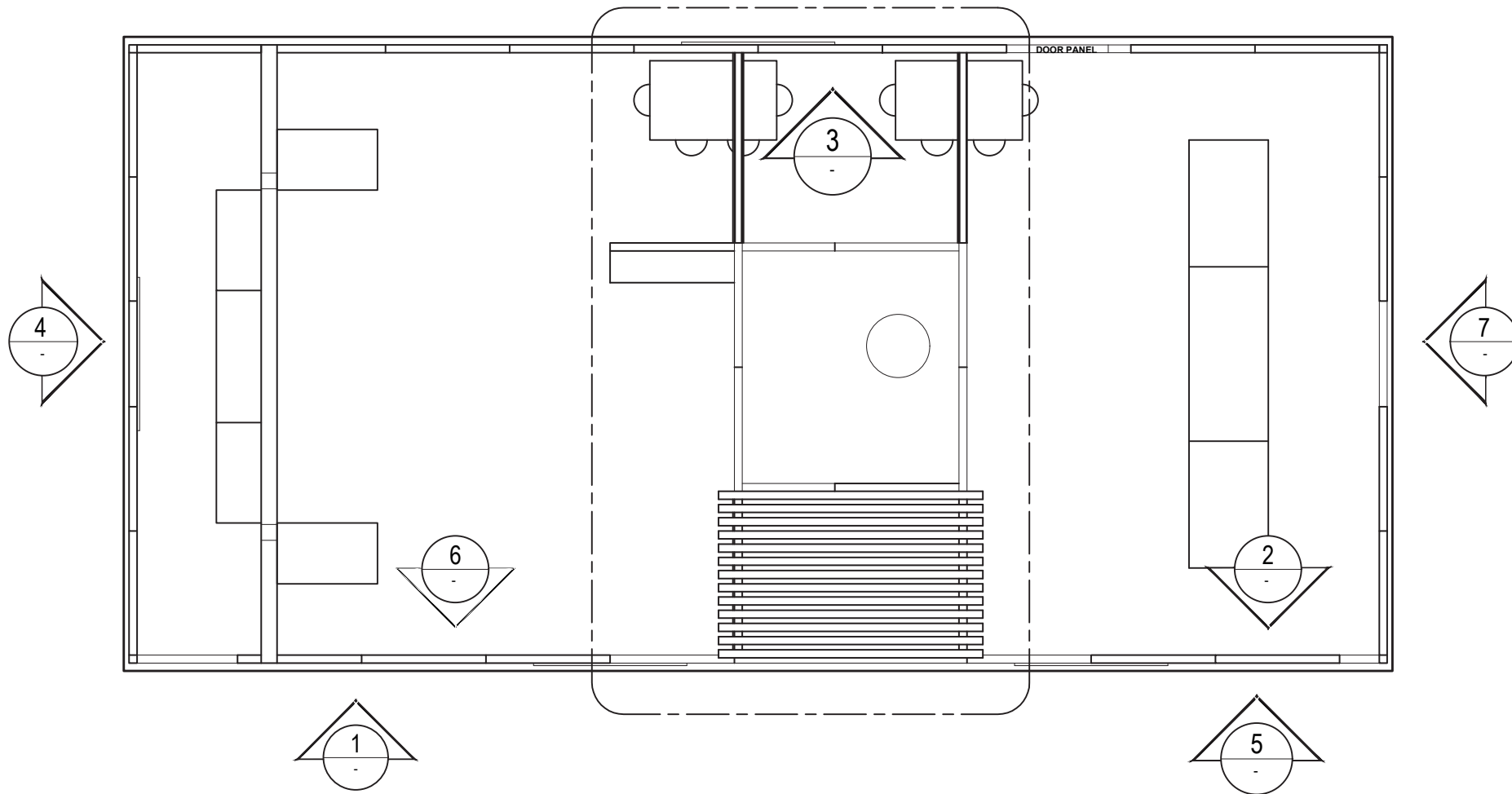
# GRAPHICS PROOF

ARCHON  
NRA 2019

# ELEVATION KEY

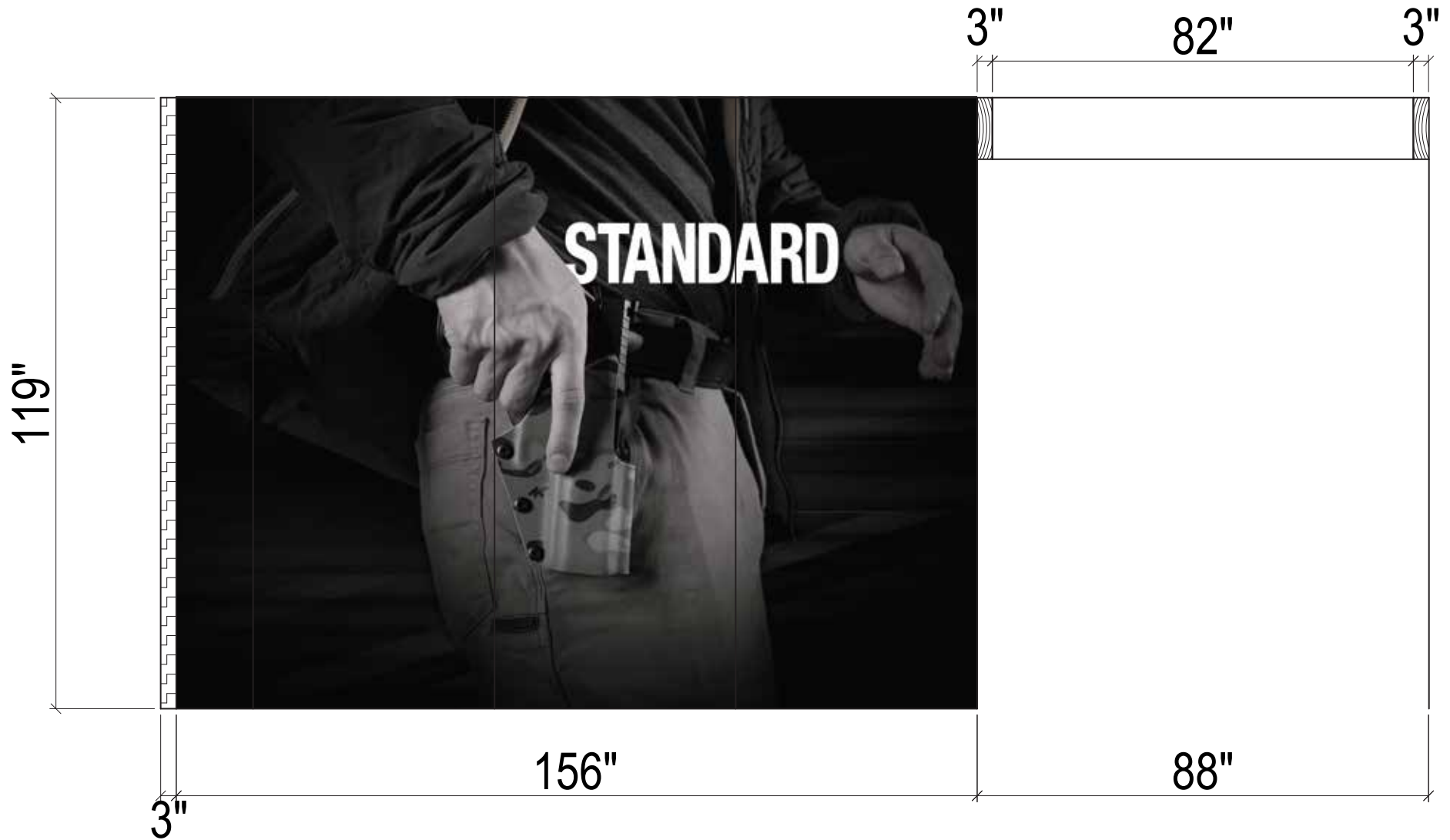
## ARCHON

JOB #: 18-882	SHOW: NRA 2019	BOOTH SIZE: 20X40	
KEY	DESCRIPTION	SIZE (WxH)	QTY
ELEVATION 1	EXTERIOR RIGHT FRONT PANELS	159" X 119"	1
ELEVATION 2	INTERIOR LEFT PANELS	156" X 119"	1
ELEVATION 3	FULL BACKWALL	476" X 119"	1
ELEVATION 4	EXTERIOR LEFT PANELS	234" X 119"	1
ELEVATION 5	EXTERIOR LEFT FRONT PANELS	229" X 119"	1

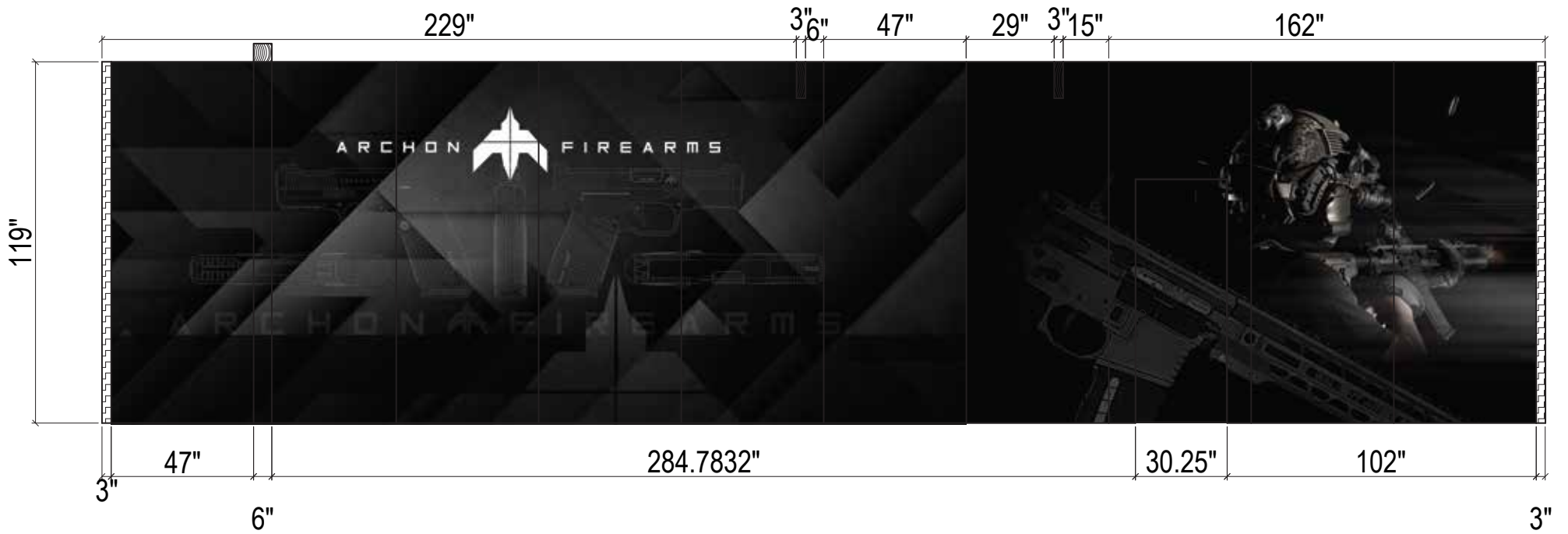


0 ELEVATION CALL OUTS  
 - PLAN VIEW

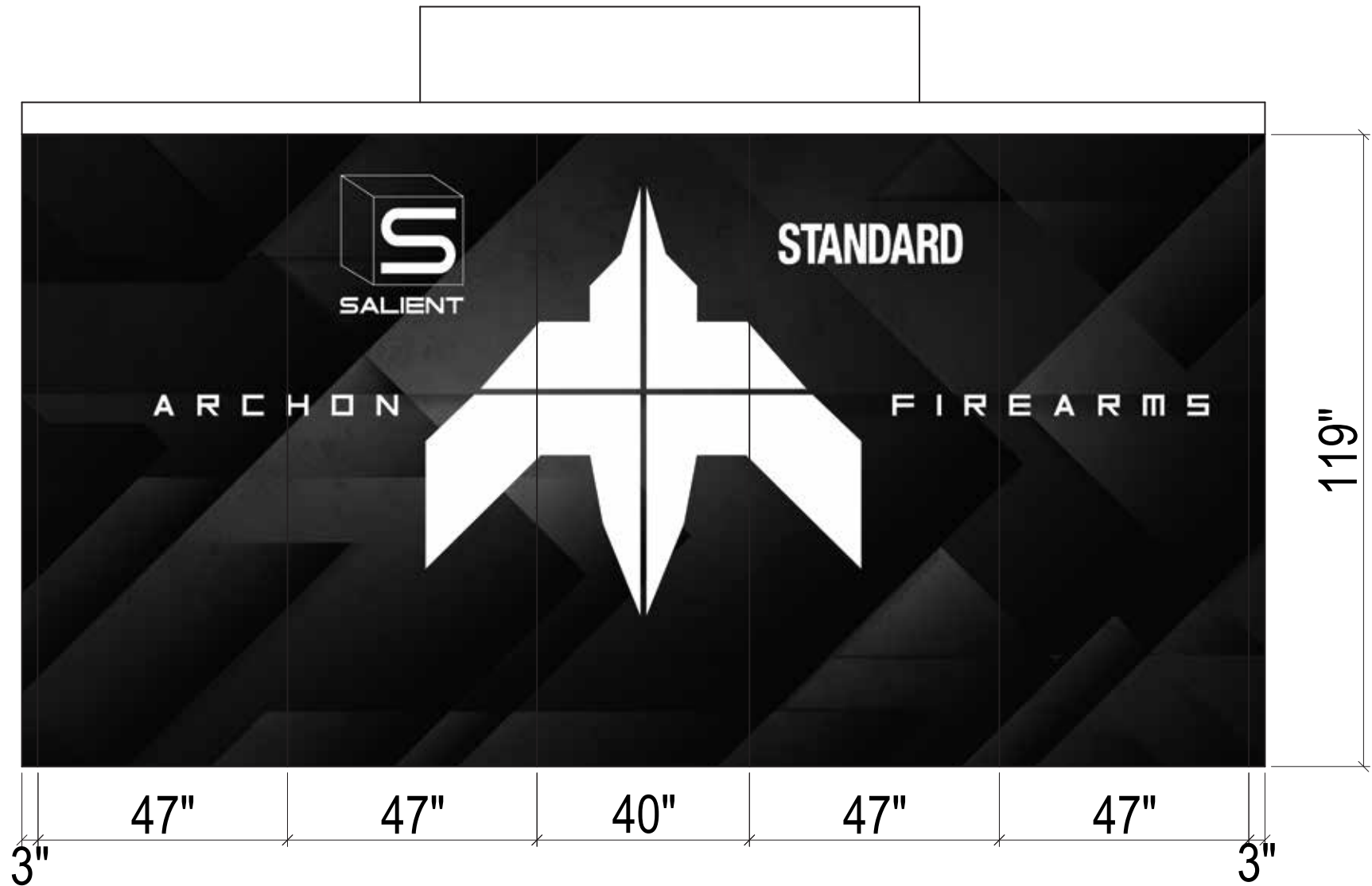




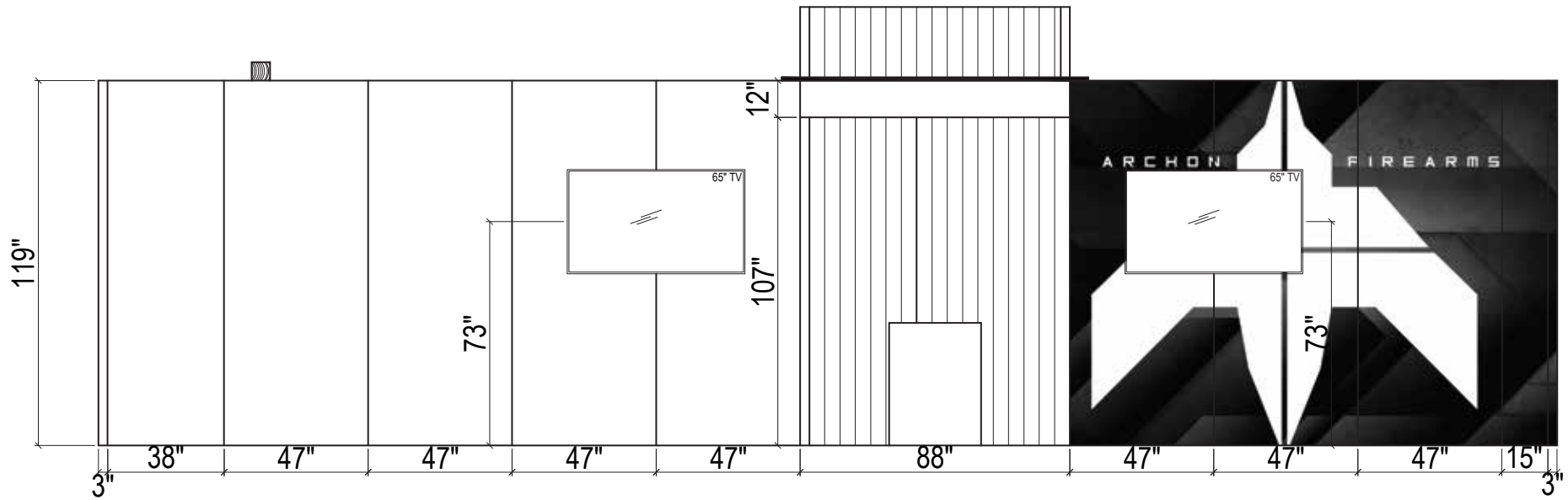
2 ELEVATION 2  
- INTERIOR LEFT PANELS



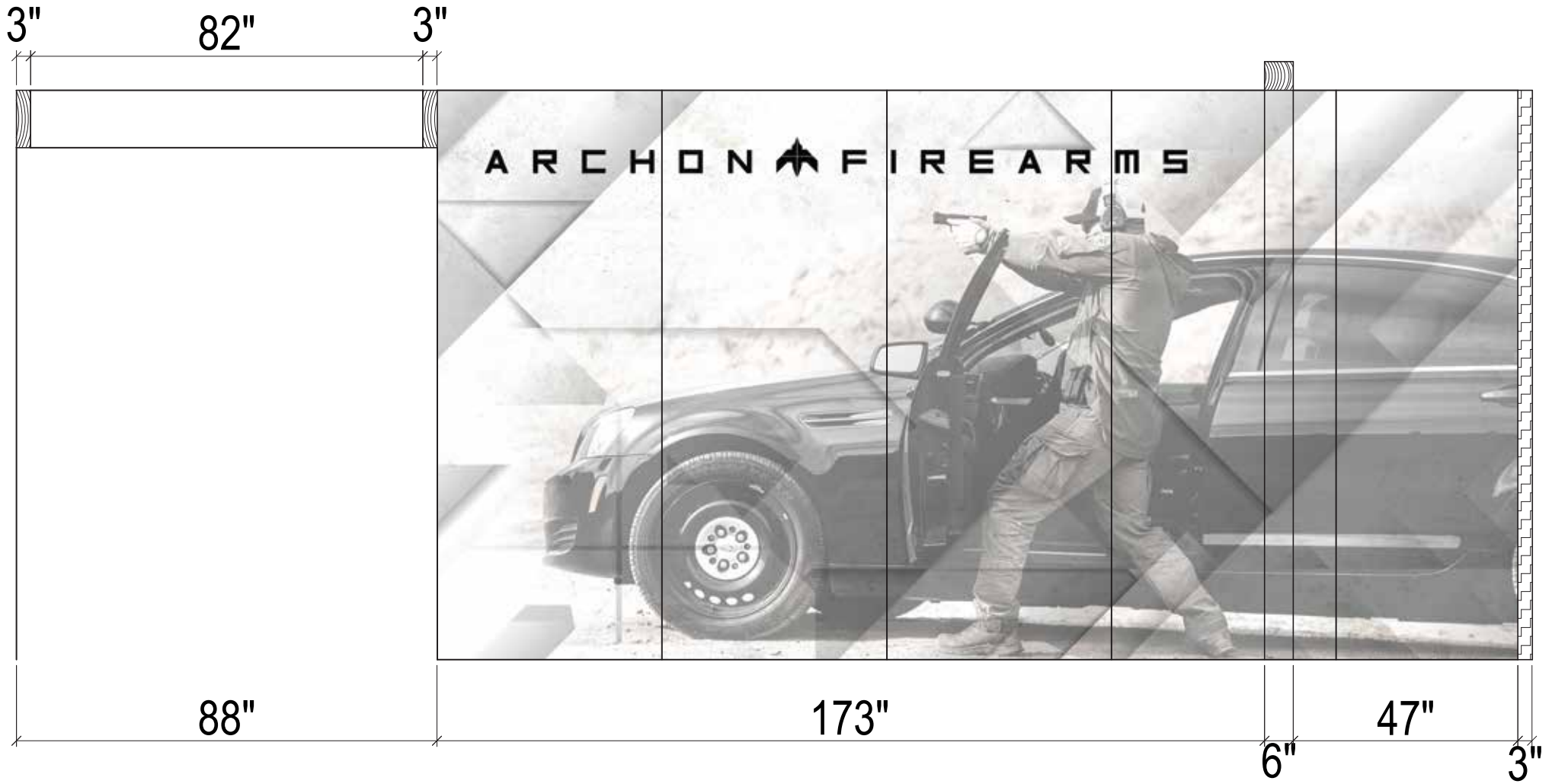
3 ELEVATION 3  
- FULL BACKWALL



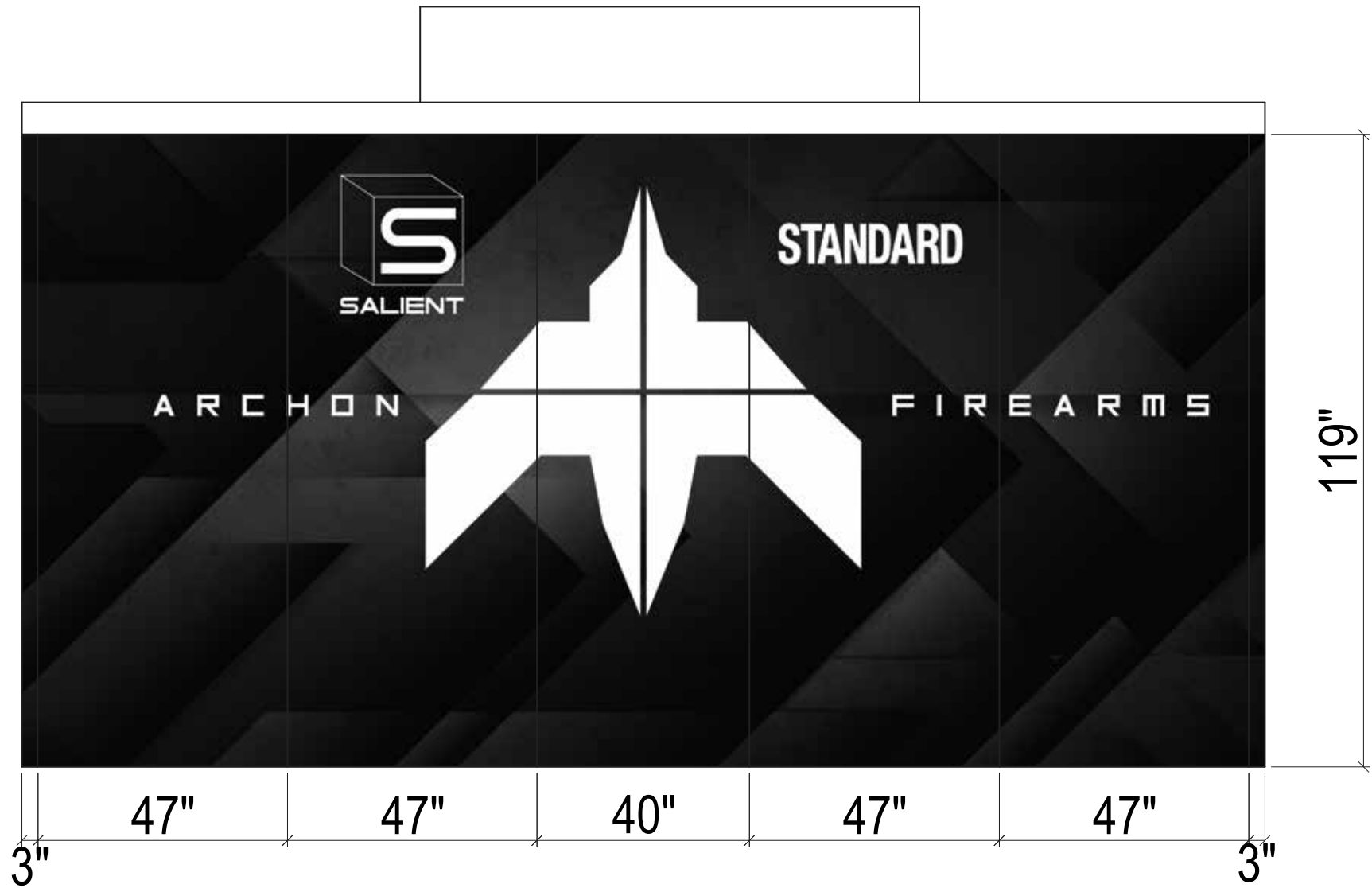
4 ELEVATION 4  
 - EXTERIOR LEFT PANELS



5 ELEVATION 5  
 - EXTERIOR LEFT FRONT PANELS



6 ELEVATION 6  
 - INTERIOR LEFT PANELS



7 ELEVATION 7  
 - EXTERIOR RIGHT FRONT PANELS

# GRAPHICS PROOF MANUAL

## Authorization to Proceed

I understand this approval gives authorization for mackenzie Exhibit to proceed. I understand digital graphics proof packets provided by mackenzie Exhibit are not calibrated press quality and are for content proofing. I also acknowledge that mackenzie Exhibit is not responsible for obtaining permission for use of Copyright, Trademark, licensing agreements of artwork, or intellectual property supplied by the client.

Review and verify correct spelling and information for: Names, Email Addresses, Phone Numbers, Physical Addresses, Website Addresses, Dates, Prices, and proofread all copy to be produced. If there are any errors or typos it is the client's responsibility to notify mackenzie Exhibit and provide text changes or corrected files.

If the graphic proof needs to be seen by more than one person, it is the responsibility of the client to route the proof to the appropriate people.

By signing below, I acknowledge my approval of applicable artwork and release mackenzie Exhibit or any other third party from liability.

If a proof containing errors is approved by the client, the client is responsible for payment of costs to include printing, design time, and materials, including corrections and reprints.

**PROOF APPROVED AS IS**

Please note that by checking the Approved box, you acknowledge that you have approved the project and that mackenzie Exhibit is not responsible for any unrecognized errors during the proofing process.

**OK, WITH INDICATED CHANGES**

**CHANGES REQUIRED WITH NEW PROOF**

---

**Changes:**

I will email a marked-up proof (pdf) with my changes

I am hand-delivering a marked-up proof (print-out) with my changes

My changes are minor & listed below:

(Please be specific and as detailed as possible about the location of the changes.)

Signature of Approval: \_\_\_\_\_

Print Name: \_\_\_\_\_ Date: \_\_\_\_\_

**IMPORTANT: Please return this form to mackenzie Exhibit in order for your project to be completed.**