

DEALER & CUSTOMER USE ONLY

Electronic Order Determines Final Production

CUSTOMER SIGNATURE* _____ **DATE** _____

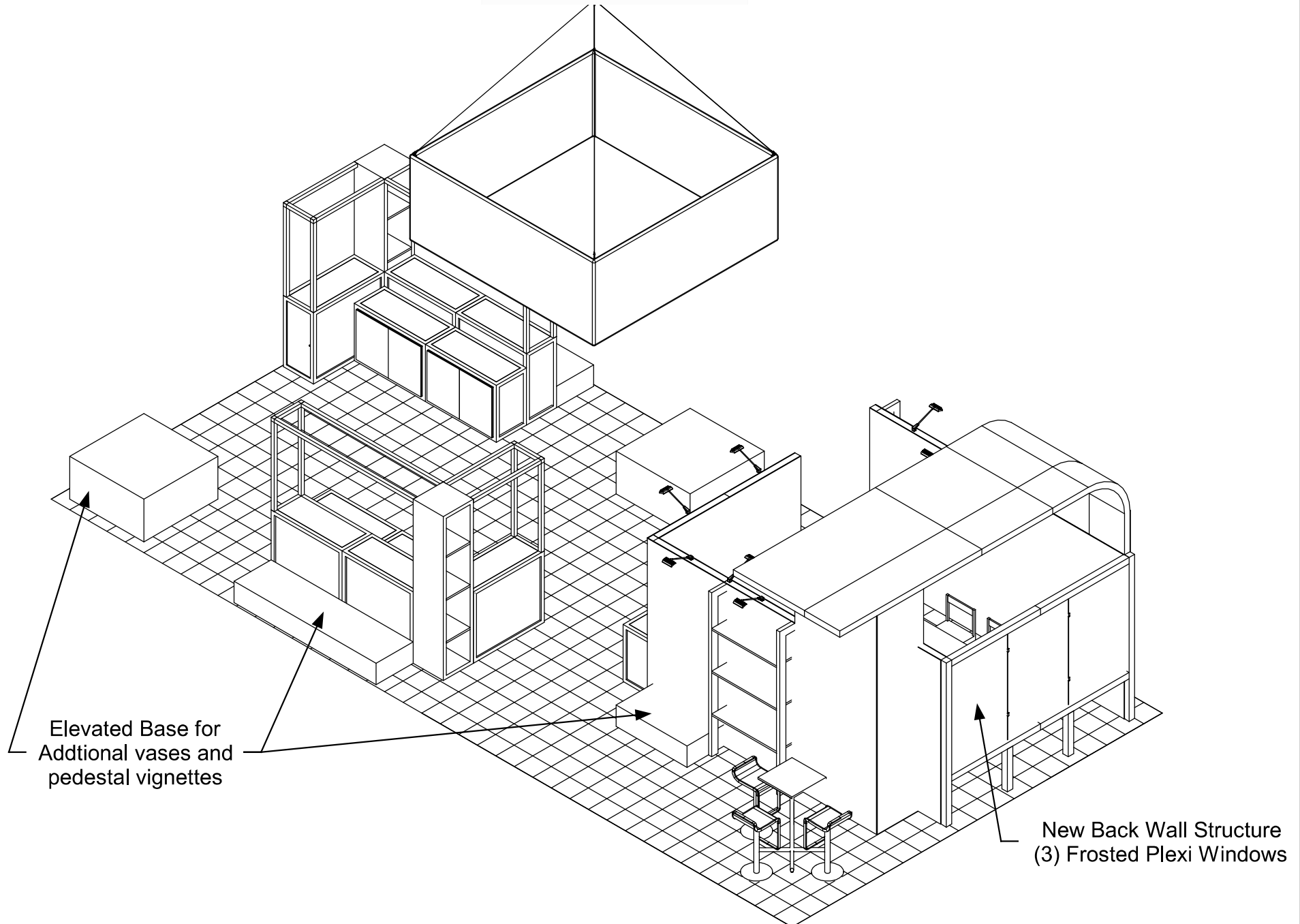
**Skyline is not responsible for typos or the quality of the supplied art.*

Job Name:	Show Location:	Art #	SSFQ #	Version:	Dealer #	Rep:	Drawn By:
Decowraps	IFPA - 10/2024	70978	EC50192	B	075	Wendy L.	ES

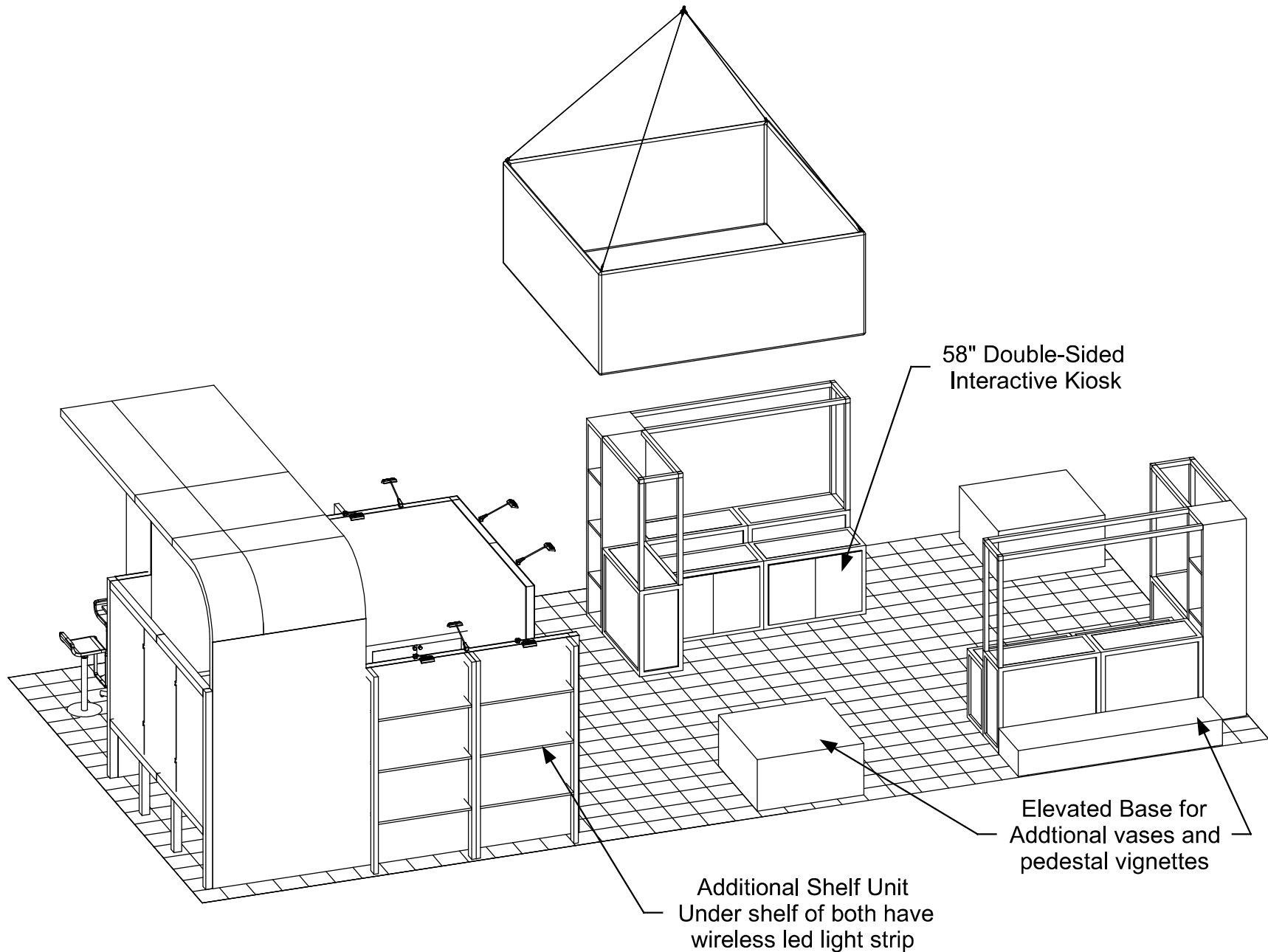
Grid: 20 x 40



7/11/2024
11:58 AM



Job Name:	Show Location:	Art #	SSFQ #	Version:	Dealer #	Rep:	Drawn By:
Decowraps	IFPA - 10/2024	70978	EC50192	B	075	Wendy L.	ES



Job Name:	Show Location:	Art #	SSFQ #	Version:	Dealer #	Rep:	Drawn By:
Decowraps	IFPA - 10/2024	70978	EC50192	B	075	Wendy L.	ES

Grid: 20 x 40

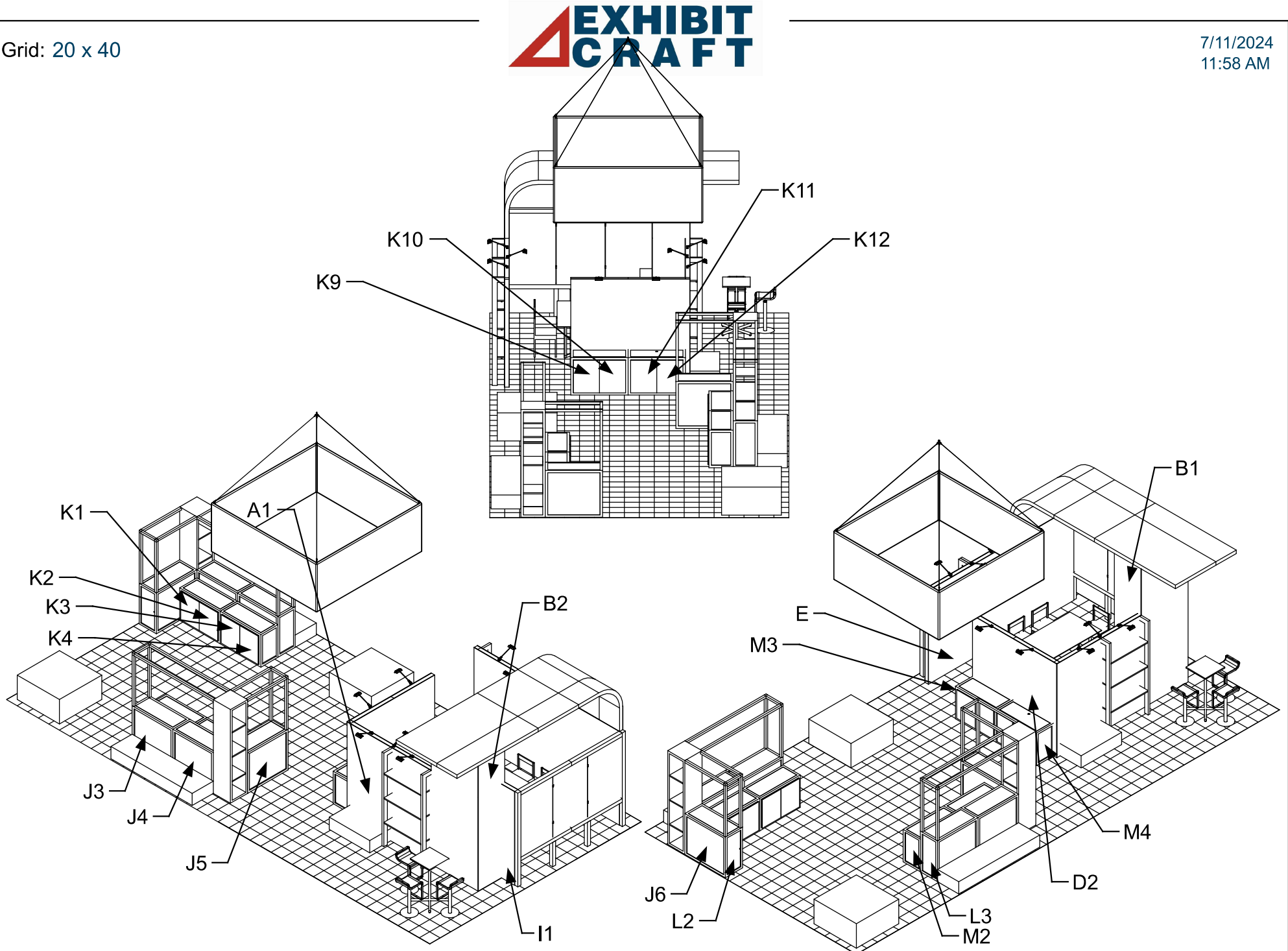


7/11/2024
11:58 AM

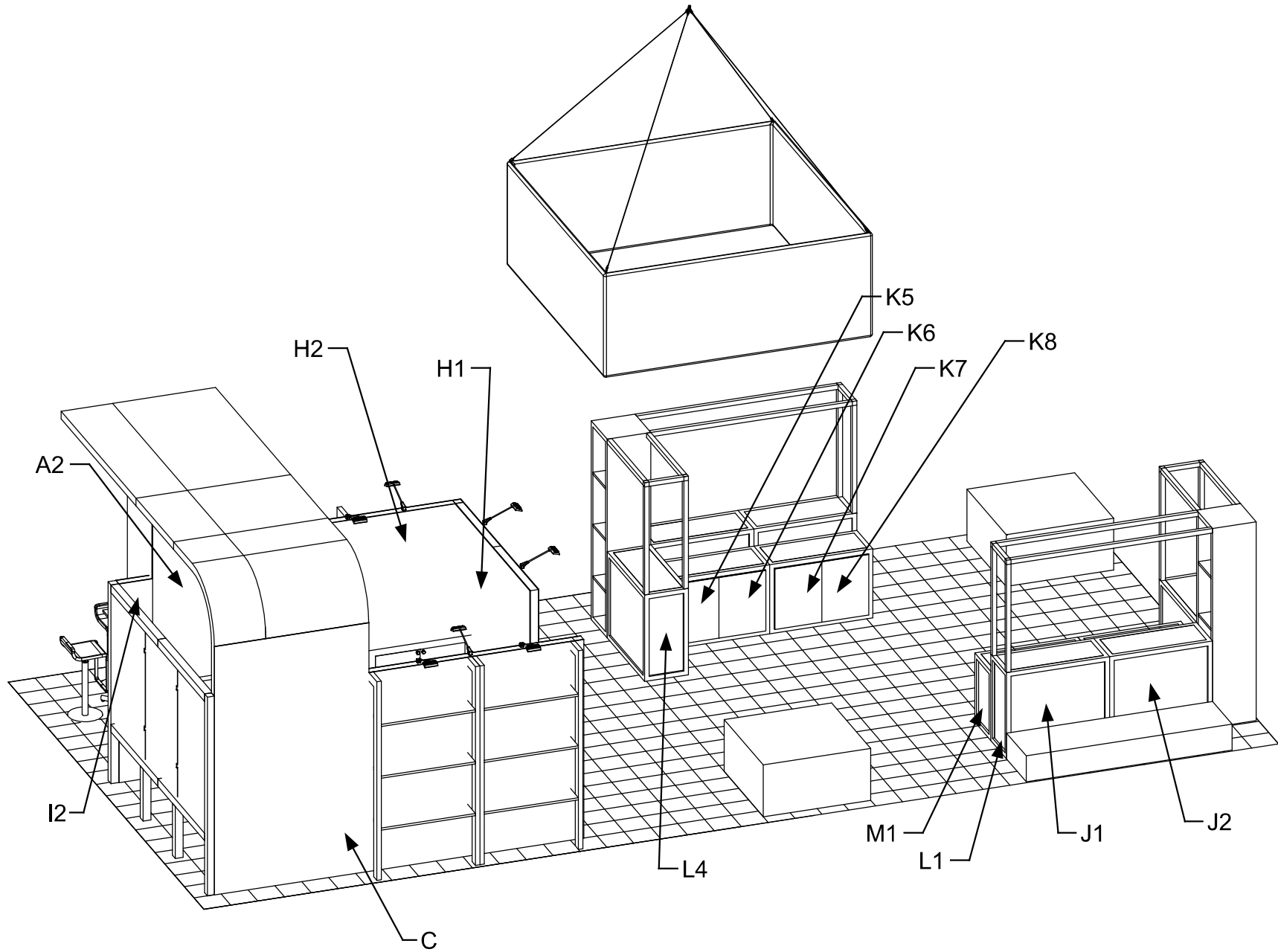
Item No.	Part Number	Qty	Description	Item No.	Part Number	Qty	Description
1	(A1) Fabric Graphic 148.625" x 138"	1	(A1) Fabric Graphic 148.625" x 138"	17	(J6) Vinyl Graphic 42" x 36"	1	(J6) Vinyl Graphic 42" x 36"
2	(A2) Fabric Graphic 53" x 138"	1	(A2) Fabric Graphic 53" x 138"	18	(K1) Vinyl Graphic 21" x 28"	1	(K1) Vinyl Graphic 21" x 28"
3	(B1) Fabric Graphic 30" x 138"	1	(B1) Fabric Graphic 30" x 138"	19	(K2) Vinyl Graphic 21" x 28"	1	(K2) Vinyl Graphic 21" x 28"
4	(B2) Fabric Graphic 30" x 138"	1	(B2) Fabric Graphic 30" x 138"	20	(K3) Vinyl Graphic 21" x 28"	1	(K3) Vinyl Graphic 21" x 28"
5	(C) Fabric Graphic 165" x 115"	1	(C) Fabric Graphic 165" x 115"	21	(K4) Vinyl Graphic 21" x 28"	1	(K4) Vinyl Graphic 21" x 28"
6	(D2) Fabric Graphic 95.5" x 92"	1	(D2) Fabric Graphic 95.5" x 92"	22	(K5) Vinyl Graphic 21" x 28"	1	(K5) Vinyl Graphic 21" x 28"
7	(E) Fabric Graphic 165" x 92"	1	(E) Fabric Graphic 165" x 92"	23	(K6) Vinyl Graphic 21" x 28"	1	(K6) Vinyl Graphic 21" x 28"
8	(H2) Fabric Graphic 92" x 92"	1	(H2) Fabric Graphic 92" x 92"	24	(K7) Vinyl Graphic 21" x 28"	1	(K7) Vinyl Graphic 21" x 28"
9	(H1) Fabric Graphic 92" x 92"	1	(H1) Fabric Graphic 92" x 92"	25	(K8) Vinyl Graphic 21" x 28"	1	(K8) Vinyl Graphic 21" x 28"
10	(I1) Fabric Graphic 15" x 92"	1	(I1) Fabric Graphic 15" x 92"	26	(K9) Vinyl Graphic 21" x 28"	1	(K9) Vinyl Graphic 21" x 28"
11	(I2) Fabric Graphic 15" x 92"	1	(I2) Fabric Graphic 15" x 92"	27	(K10) Vinyl Graphic 21" x 28"	1	(K10) Vinyl Graphic 21" x 28"
12	(J1) Vinyl Graphic 42" x 36"	1	(J1) Vinyl Graphic 42" x 36"	28	(K11) Vinyl Graphic 21" x 28"	1	(K11) Vinyl Graphic 21" x 28"
13	(J2) Vinyl Graphic 42" x 36"	1	(J2) Vinyl Graphic 42" x 36"	29	(K12) Vinyl Graphic 21" x 28"	1	(K12) Vinyl Graphic 21" x 28"
14	(J3) Vinyl Graphic 42" x 36"	1	(J3) Vinyl Graphic 42" x 36"	30	(L1) Vinyl Graphic 15.5" x 36"	1	(L1) Vinyl Graphic 15.5" x 36"
15	(J4) Vinyl Graphic 42" x 36"	1	(J4) Vinyl Graphic 42" x 36"	31	(L2) Vinyl Graphic 15.5" x 36"	1	(L2) Vinyl Graphic 15.5" x 36"
16	(J5) Vinyl Graphic 42" x 36"	1	(J5) Vinyl Graphic 42" x 36"	32	(L3) Vinyl Graphic 15.5" x 36"	1	(L3) Vinyl Graphic 15.5" x 36"

Item No.	Part Number	Qty	Description
33	(L4) Vinyl Graphic 15.5" x 36"	1	(L4) Vinyl Graphic 15.5" x 36"
34	(M1) Vinyl Graphic 15.5" x 28"	1	(M1) Vinyl Graphic 15.5" x 28"
35	(M2) Vinyl Graphic 15.5" x 28"	1	(M2) Vinyl Graphic 15.5" x 28"
36	(M3) Vinyl Graphic 15.5" x 28"	1	(M3) Vinyl Graphic 15.5" x 28"
37	(M4) Vinyl Graphic 15.5" x 28"	1	(M4) Vinyl Graphic 15.5" x 28"

Job Name:	Show Location:	Art #	SSFQ #	Version:	Dealer #	Rep:	Drawn By:
Decowraps	IFPA - 10/2024	70978	EC50192	B	075	Wendy L.	ES



Job Name:	Show Location:	Art #	SSFQ #	Version:	Dealer #	Rep:	Drawn By:
Decowraps	IFPA - 10/2024	70978	EC50192	B	075	Wendy L.	ES

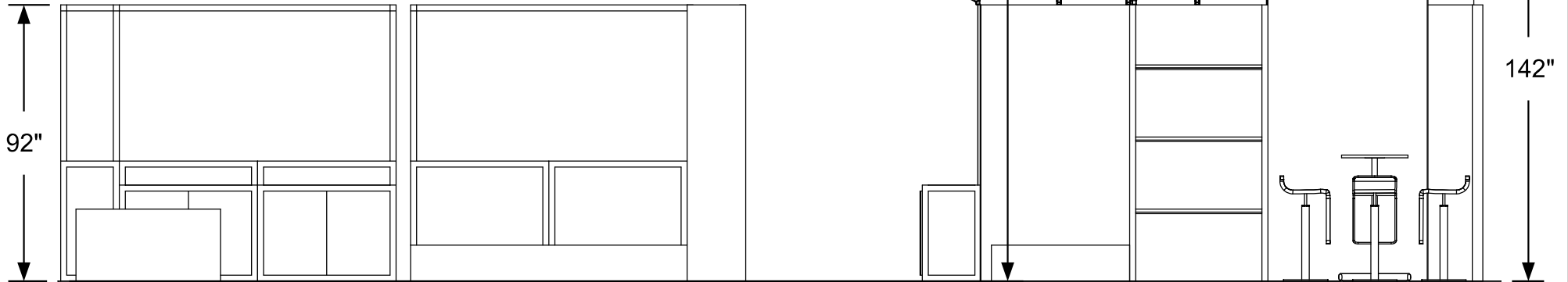
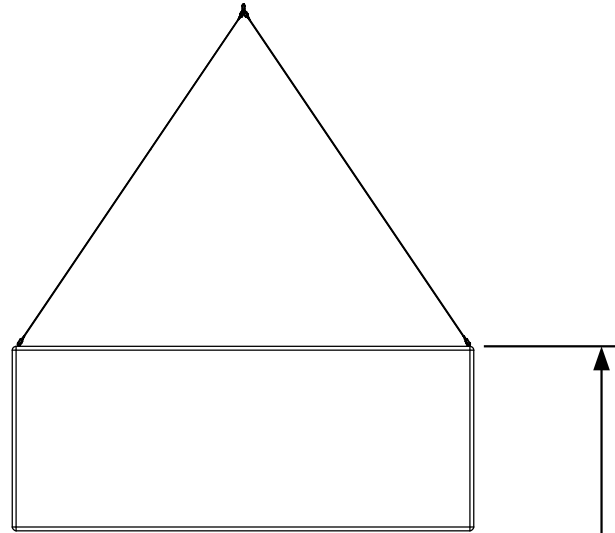


Job Name:	Show Location:	Art #	SSFQ #	Version:	Dealer #	Rep:	Drawn By:
Decowraps	IFPA - 10/2024	70978	EC50192	B	075	Wendy L.	ES

Grid: 20 x 40



7/11/2024
11:58 AM

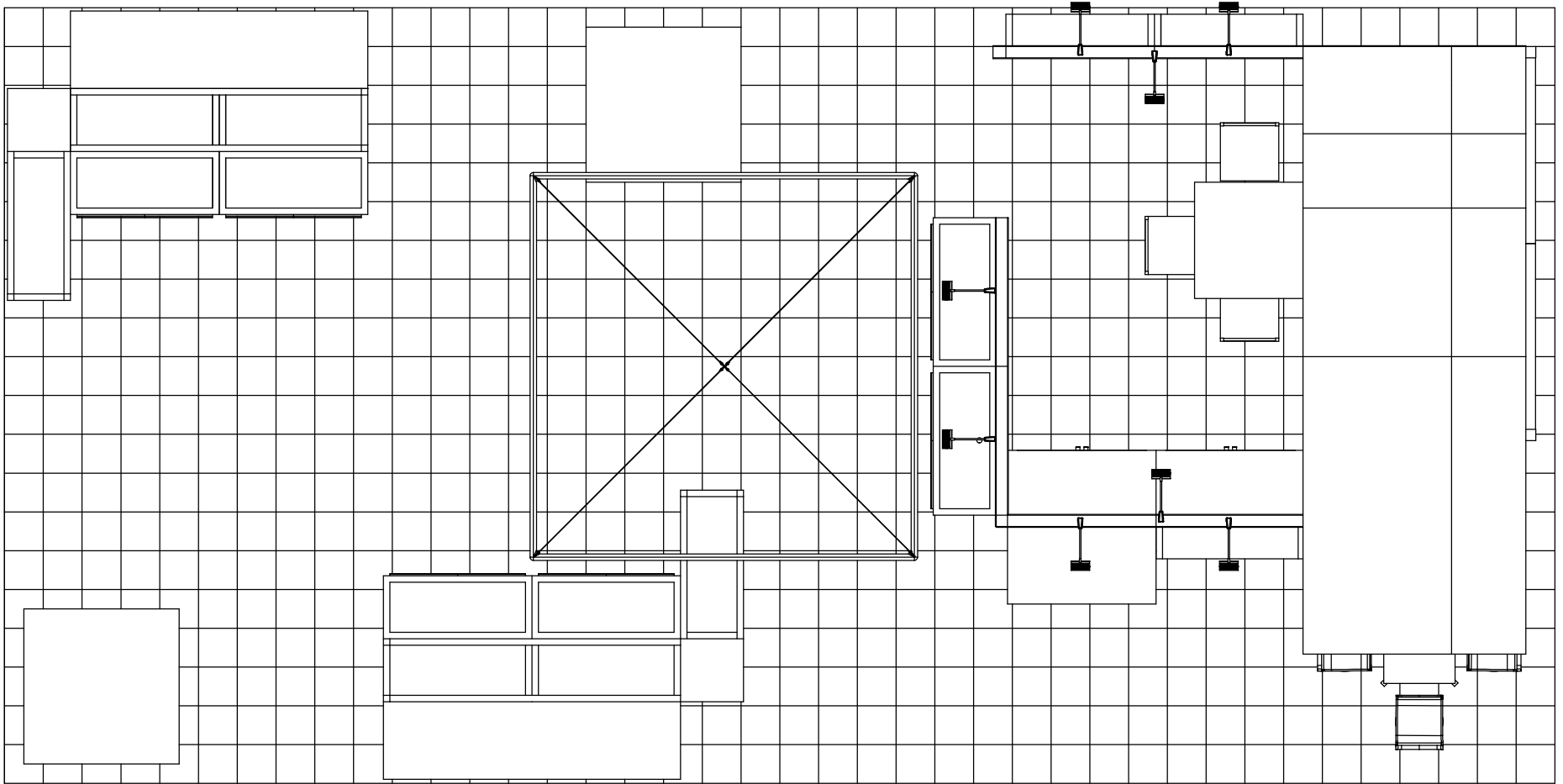


Job Name:	Show Location:	Art #	SSFQ #	Version:	Dealer #	Rep:	Drawn By:
Decowraps	IFPA - 10/2024	70978	EC50192	B	075	Wendy L.	ES

Grid: 20 x 40



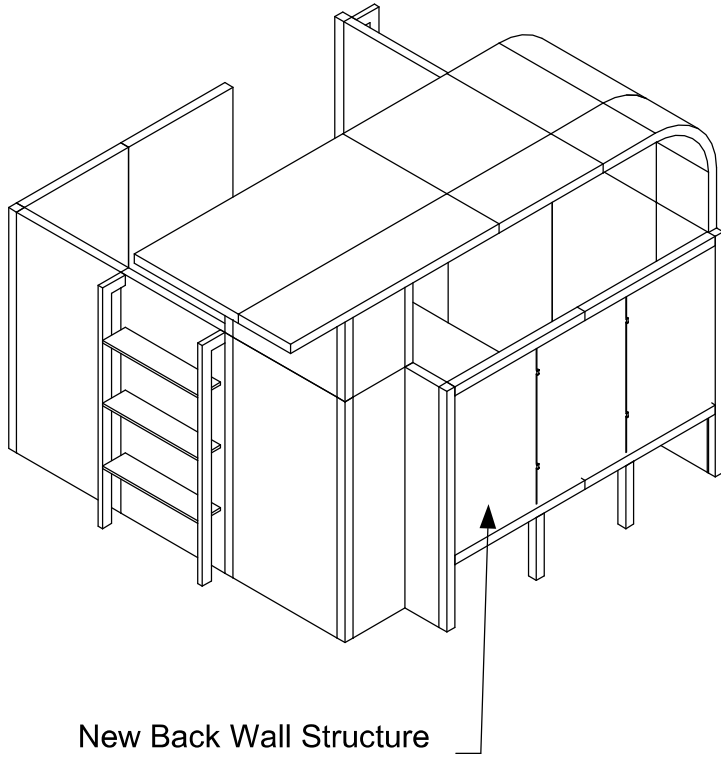
7/11/2024
11:58 AM



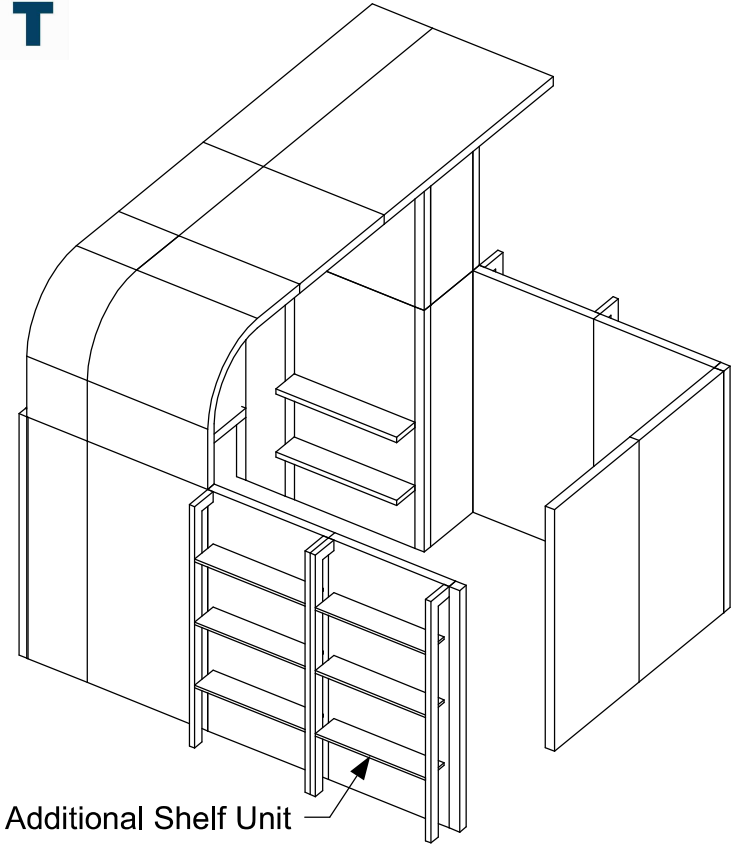
View From Top : 1 Square = 1ft

Job Name:	Show Location:	Art #	SSFQ #	Version:	Dealer #	Rep:	Drawn By:
Decowraps	IFPA - 10/2024	70978	EC50192	B	075	Wendy L.	ES

Grid: 20 x 40



New Back Wall Structure
(3) Frosted Plexi Windows



Additional Shelf Unit

Item No.	Part Number	Qty	Description
1	White Shelf 42" x 10" x 1"	9	White Shelf 42" x 10" x 1"
2	Wood Lam 92" x 10" Shelf Pole	4	Wood Lam 92" x 10" Shelf Pole
3	EC Panel 46" x 92"	10	EC Panel 46" x 92"
4	EC Panel 46" x 46"	3	EC Panel 46" x 46"
5	EC Panel 23" x 92"	4	EC Panel 23" x 92"
6	EC Panel 23" x 46"	2	EC Panel 23" x 46"
7	EC Panel 23" x 46"	1	EC Panel 23" x 46"
8	Curved 46" Custom Panel	1	Curved 46" Custom Panel
9	EC Panel 15" x 92"	1	EC Panel 15" x 92"
10	EC Pole 92"	6	EC Pole 92"
11	EC Pole 46"	4	EC Pole 46"
12	POC Lights 4"	6	POC Lights 4"

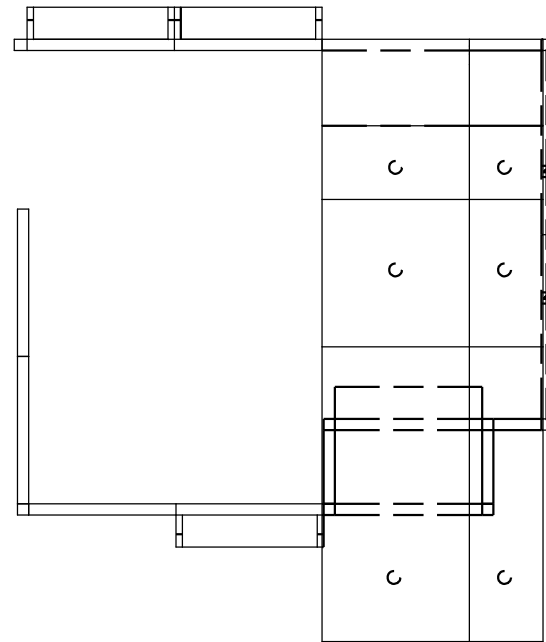
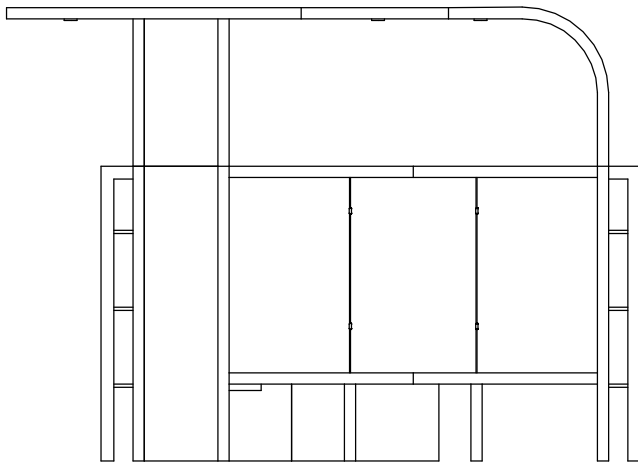
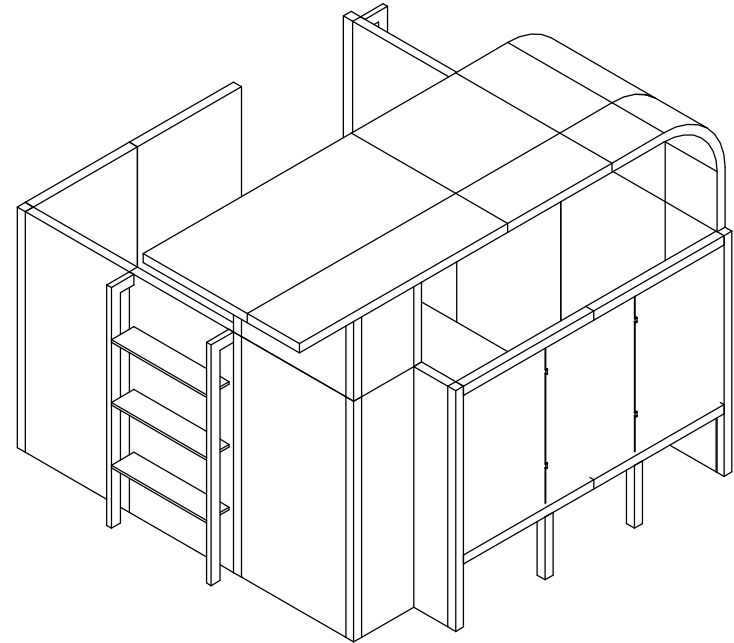
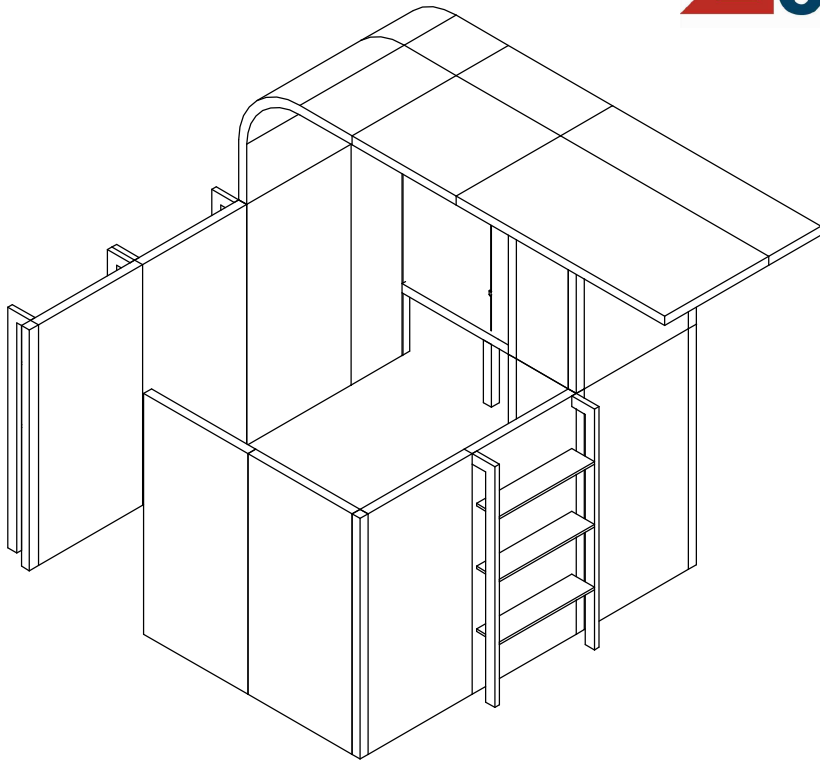
Item No.	Part Number	Qty	Description
13	White Shelf 46" x 10" x 2"	2	White Shelf 46" x 10" x 2"
14	Curved 23" Custom Panel	1	Curved 23" Custom Panel
15	EC Post 92"	1	White Matte Laminate
16	EC Rail 57.5"	4	White Matte Laminate
17	EC Post 24"	2	White Matte Laminate
18	EC Post 92"	1	White Matte Laminate
19	38" x 61.75"	2	Frosted Plexi .25"
20	39.25" x 61.75"	1	Frosted Plexi .25"
21	Gripper	4	Gripper
22	Wood Lam - 92" x 10" Shelf Pole	2	Wood Lam - 92" x 10" Shelf Pole

Job Name:	Show Location:	Art #	SSFQ #	Version:	Dealer #	Rep:	Drawn By:
Decowraps	IFPA - 10/2024	70978	EC50192	B	075	Wendy L.	ES

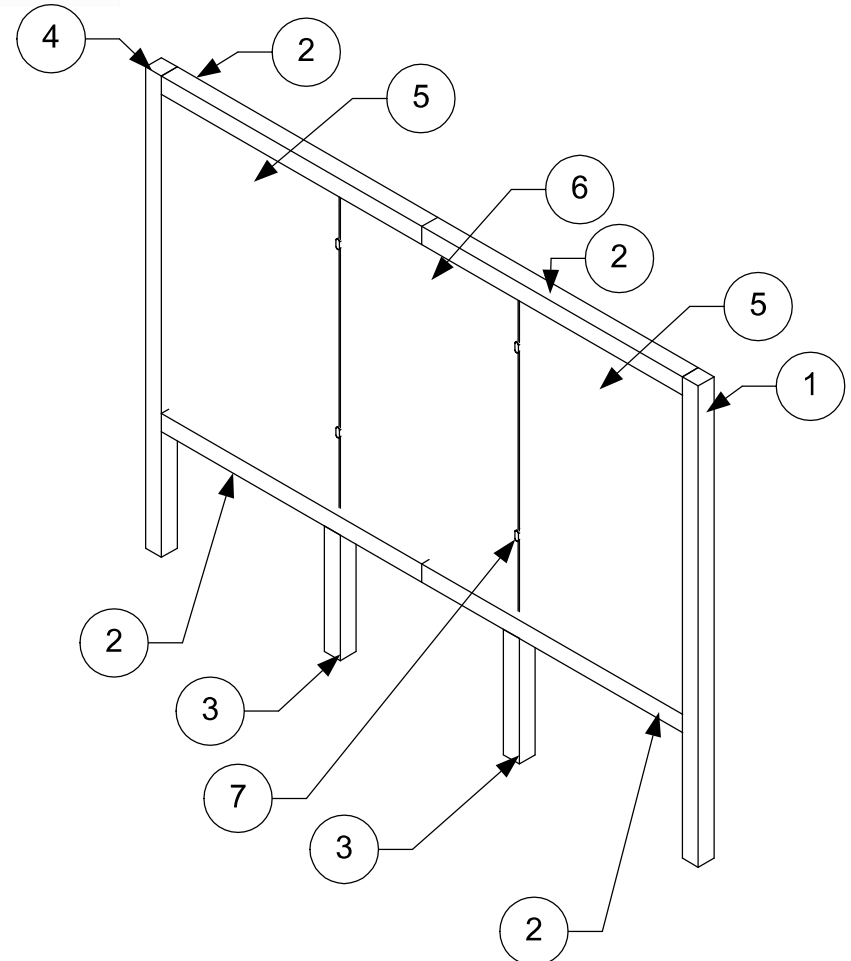
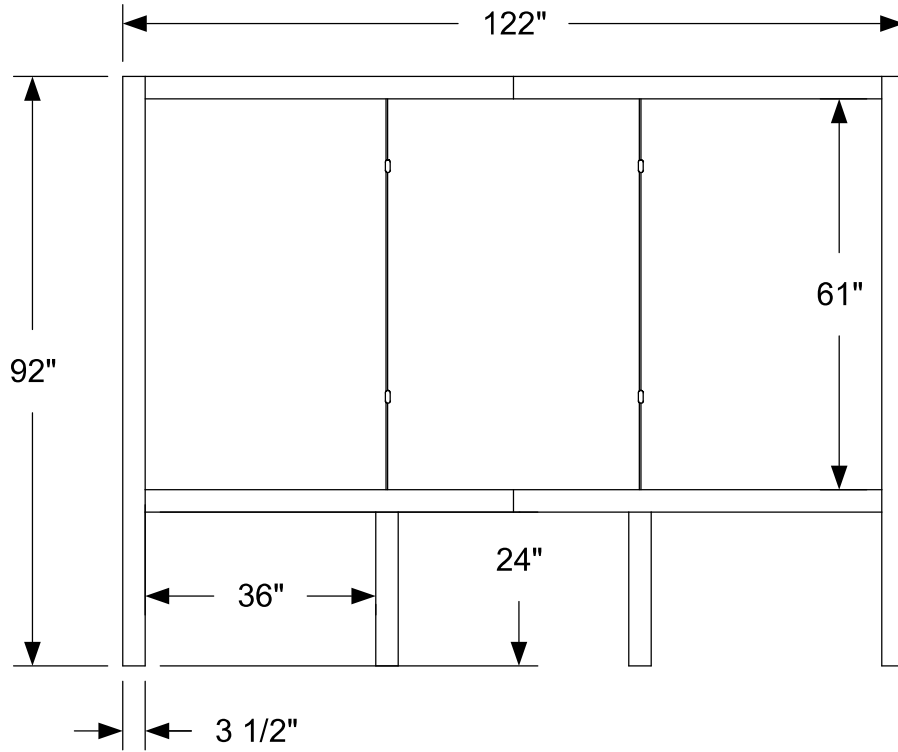
Grid: 20 x 40



7/11/2024
11:58 AM



Job Name:	Show Location:	Art #	SSFQ #	Version:	Dealer #	Rep:	Drawn By:
Decowraps	IFPA - 10/2024	70978	EC50192	B	075	Wendy L.	ES



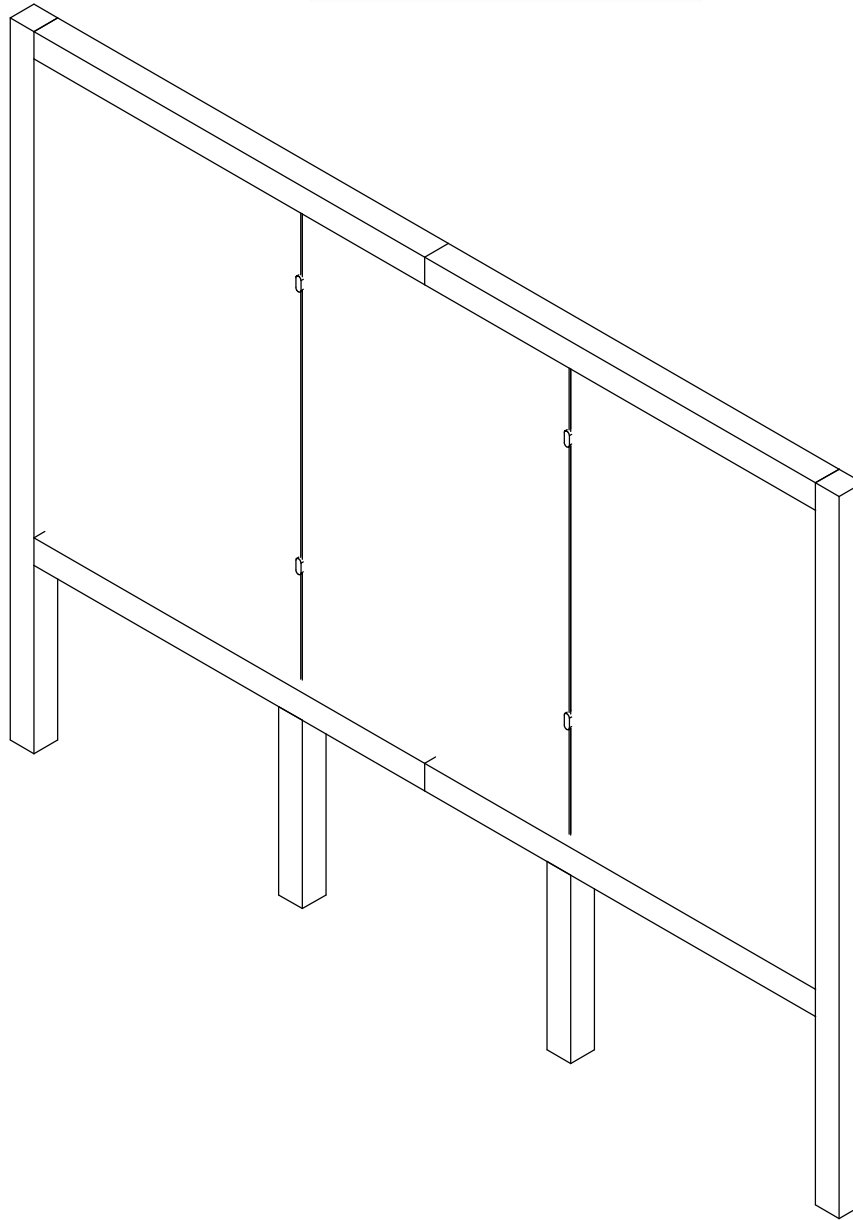
Item No.	Part Number	Qty	Description
1	EC Post 92"	1	White Matte Laminate
2	EC Rail 57.5"	4	White Matte Laminate
3	EC Post 24"	2	White Matte Laminate
4	EC Post 92"	1	White Matte Laminate
5	38" x 61.75"	2	Frosted Plexi .25"
6	39.25" x 61.75"	1	Frosted Plexi .25"
7	Gripper	4	Gripper

Job Name:	Show Location:	Art #	SSFQ #	Version:	Dealer #	Rep:	Drawn By:
Decowraps	IFPA - 10/2024	70978	EC50192	B	075	Wendy L.	ES

Grid: 20 x 40

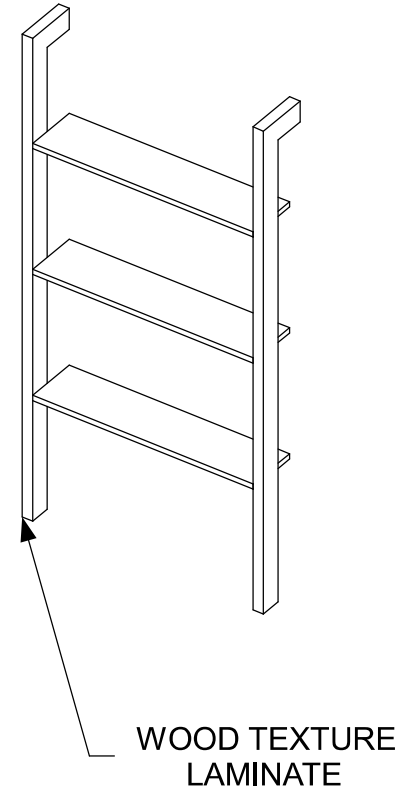
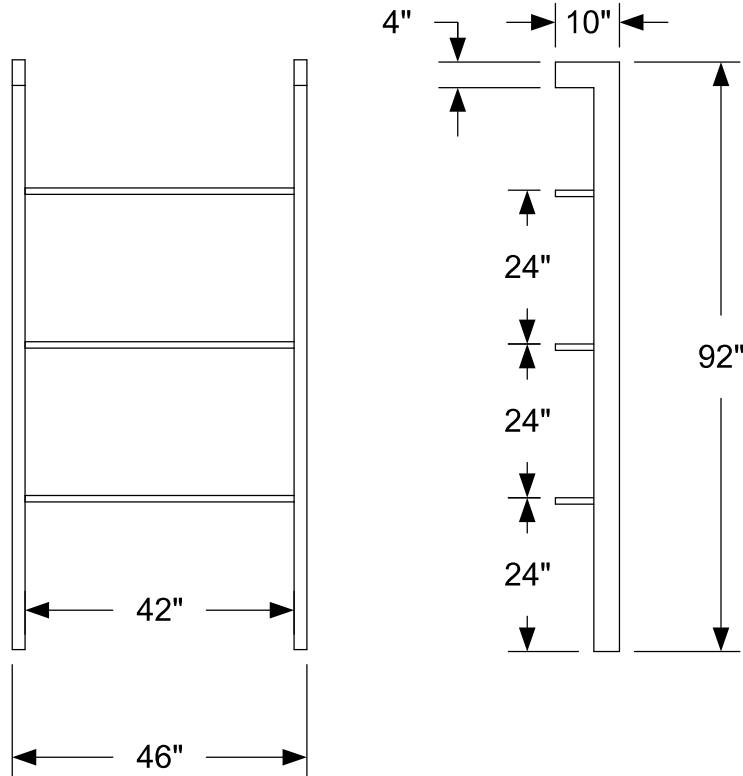


7/11/2024
11:58 AM



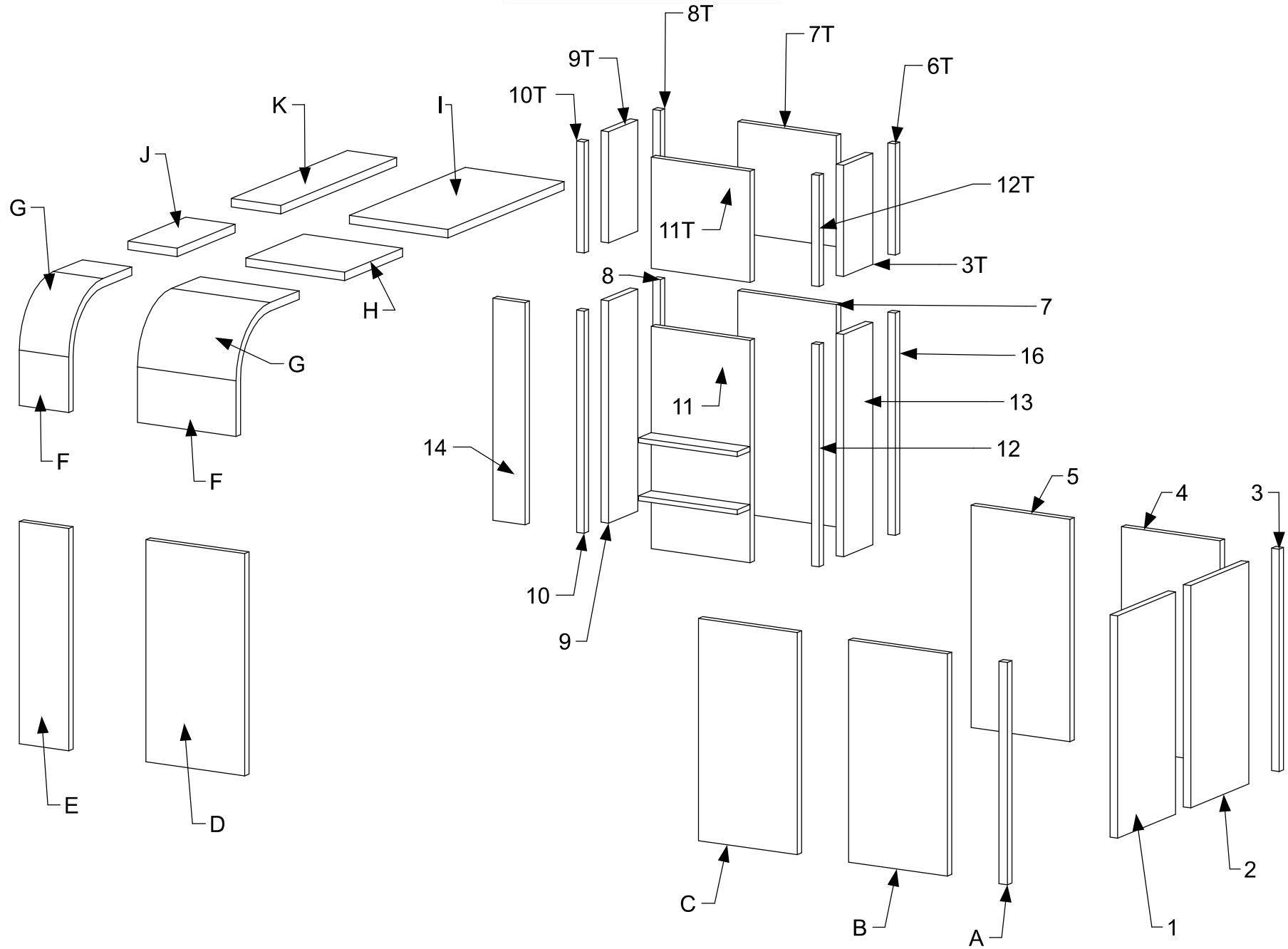
Job Name:	Show Location:	Art #	SSFQ #	Version:	Dealer #	Rep:	Drawn By:
Decowraps	IFPA - 10/2024	70978	EC50192	B	075	Wendy L.	ES

Shelf Unit for Main Structure Qty. 1



Item No.	Part Number	Qty	Description
1	White Shelf 42" x 10" x 1"	3	White Shelf 42" x 10" x 1"
2	Wood Lam 92" x 10" Shelf Pole	2	Wood Lam 92" x 10" Shelf Pole

Job Name:	Show Location:	Art #	SSFQ #	Version:	Dealer #	Rep:	Drawn By:
Decowraps	IFPA - 10/2024	70978	EC50192	B	075	Wendy L.	ES



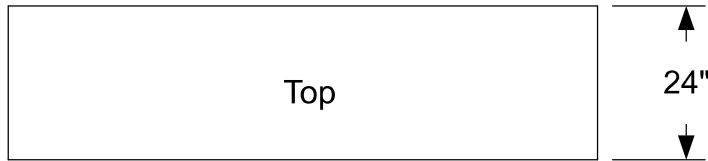
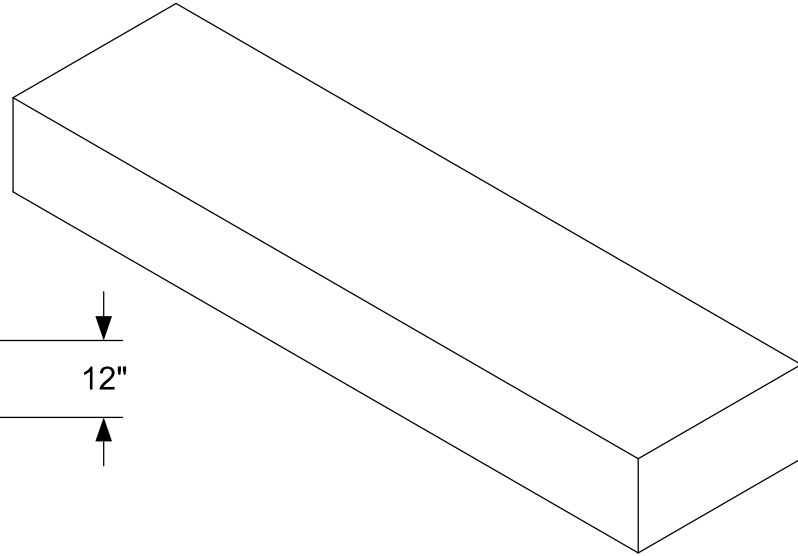
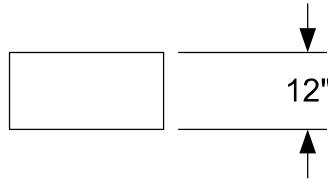
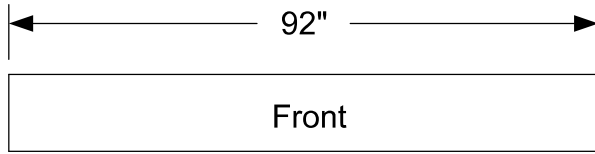
Job Name:	Show Location:	Art #	SSFQ #	Version:	Dealer #	Rep:	Drawn By:
Decowraps	IFPA - 10/2024	70978	EC50192	B	075	Wendy L.	ES

Grid: 20 x 40



7/11/2024
11:58 AM

QTY : 2

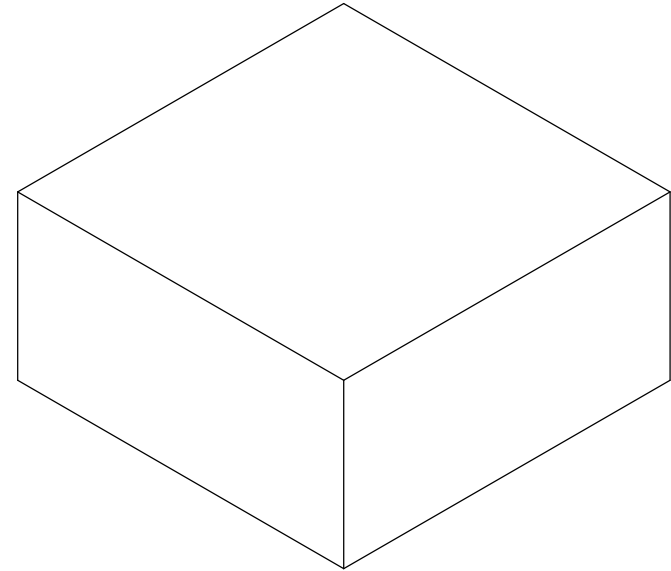
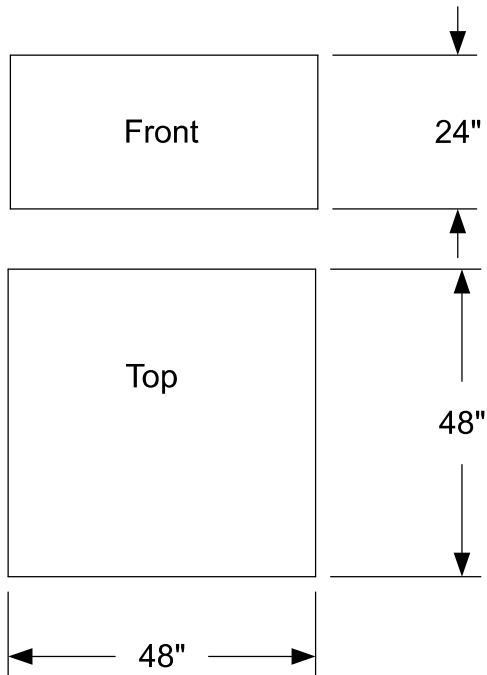


Item No.	Part Number	Qty	Description
1	Base 92"L x 24"D x 12"H	1	Formica Natural Maple Lam

Job Name:	Show Location:	Art #	SSFQ #	Version:	Dealer #	Rep:	Drawn By:
Decowraps	IFPA - 10/2024	70978	EC50192	B	075	Wendy L.	ES

Grid: 20 x 40

QTY : 2



Item No.	Part Number	Qty	Description
1	Pedestal 48" x 48" x 24"	1	Formica Natural Maple Lam

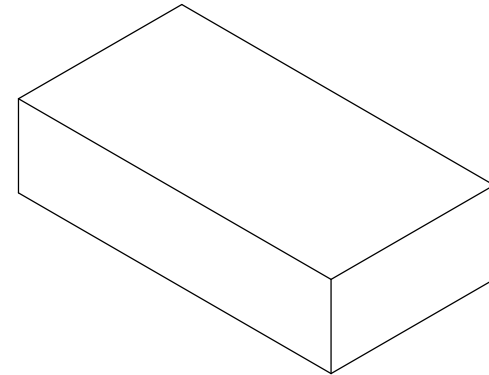
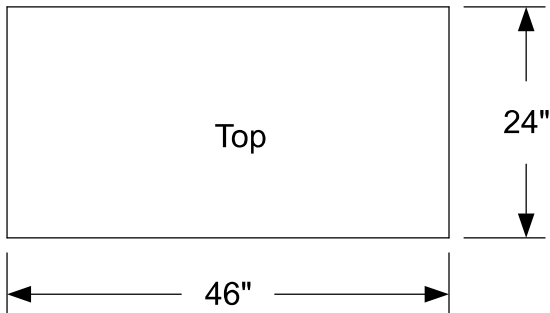
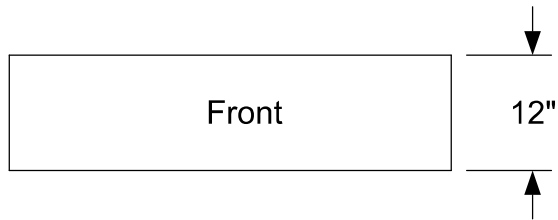
Job Name:	Show Location:	Art #	SSFQ #	Version:	Dealer #	Rep:	Drawn By:
Decowraps	IFPA - 10/2024	70978	EC50192	B	075	Wendy L.	ES

Grid: 20 x 40



7/11/2024
11:58 AM

QTY : 1



Item No.	Part Number	Qty	Description
1	Base 46"L x 24"D x 12"H	1	Formica Natural Maple Lam

Job Name:	Show Location:	Art #	SSFQ #	Version:	Dealer #	Rep:	Drawn By:
Decowraps	IFPA - 10/2024	70978	EC50192	B	075	Wendy L.	ES

Item No.	Part Number	Qty	Description
1	(A1) Fabric Graphic 148.625" x 138"	1	(A1) Fabric Graphic 148.625" x 138"
2	(A2) Fabric Graphic 53" x 138"	1	(A2) Fabric Graphic 53" x 138"
3	(B1) Fabric Graphic 30" x 138"	1	(B1) Fabric Graphic 30" x 138"
4	(B2) Fabric Graphic 30" x 138"	1	(B2) Fabric Graphic 30" x 138"
5	(C) Fabric Graphic 165" x 115"	1	(C) Fabric Graphic 165" x 115"
6	(D2) Fabric Graphic 95.5" x 92"	1	(D2) Fabric Graphic 95.5" x 92"
7	(E) Fabric Graphic 165" x 92"	1	(E) Fabric Graphic 165" x 92"
8	(H2) Fabric Graphic 92" x 92"	1	(H2) Fabric Graphic 92" x 92"
9	(H1) Fabric Graphic 92" x 92"	1	(H1) Fabric Graphic 92" x 92"
10	(I1) Fabric Graphic 15" x 92"	1	(I1) Fabric Graphic 15" x 92"
11	(I2) Fabric Graphic 15" x 92"	1	(I2) Fabric Graphic 15" x 92"
12	(J1) Vinyl Graphic 42" x 36"	1	(J1) Vinyl Graphic 42" x 36"
13	(J2) Vinyl Graphic 42" x 36"	1	(J2) Vinyl Graphic 42" x 36"
14	(J3) Vinyl Graphic 42" x 36"	1	(J3) Vinyl Graphic 42" x 36"
15	(J4) Vinyl Graphic 42" x 36"	1	(J4) Vinyl Graphic 42" x 36"
16	(J5) Vinyl Graphic 42" x 36"	1	(J5) Vinyl Graphic 42" x 36"
17	(J6) Vinyl Graphic 42" x 36"	1	(J6) Vinyl Graphic 42" x 36"
18	(K1) Vinyl Graphic 21" x 28"	1	(K1) Vinyl Graphic 21" x 28"
19	(K2) Vinyl Graphic 21" x 28"	1	(K2) Vinyl Graphic 21" x 28"
20	(K3) Vinyl Graphic 21" x 28"	1	(K3) Vinyl Graphic 21" x 28"
21	(K4) Vinyl Graphic 21" x 28"	1	(K4) Vinyl Graphic 21" x 28"
22	(K5) Vinyl Graphic 21" x 28"	1	(K5) Vinyl Graphic 21" x 28"
23	(K6) Vinyl Graphic 21" x 28"	1	(K6) Vinyl Graphic 21" x 28"
24	(K7) Vinyl Graphic 21" x 28"	1	(K7) Vinyl Graphic 21" x 28"
25	(K8) Vinyl Graphic 21" x 28"	1	(K8) Vinyl Graphic 21" x 28"
26	(K9) Vinyl Graphic 21" x 28"	1	(K9) Vinyl Graphic 21" x 28"
27	(K10) Vinyl Graphic 21" x 28"	1	(K10) Vinyl Graphic 21" x 28"
28	(K11) Vinyl Graphic 21" x 28"	1	(K11) Vinyl Graphic 21" x 28"
29	(K12) Vinyl Graphic 21" x 28"	1	(K12) Vinyl Graphic 21" x 28"
30	(L1) Vinyl Graphic 15.5" x 36"	1	(L1) Vinyl Graphic 15.5" x 36"
31	(L2) Vinyl Graphic 15.5" x 36"	1	(L2) Vinyl Graphic 15.5" x 36"
32	(L3) Vinyl Graphic 15.5" x 36"	1	(L3) Vinyl Graphic 15.5" x 36"
33	(L4) Vinyl Graphic 15.5" x 36"	1	(L4) Vinyl Graphic 15.5" x 36"
34	(M1) Vinyl Graphic 15.5" x 28"	1	(M1) Vinyl Graphic 15.5" x 28"
35	(M2) Vinyl Graphic 15.5" x 28"	1	(M2) Vinyl Graphic 15.5" x 28"

Cad Bill of Materials includes only the major components in this display. This list does not include parts such as connectors, brackets and other misc. items including custom parts. Please only use this list as a guide to estimating your display.

Job Name:	Show Location:	Art #	SSFQ #	Version:	Dealer #	Rep:	Drawn By:
Decowraps	IFPA - 10/2024	70978	EC50192	B	075	Wendy L.	ES

Item No.	Part Number	Qty	Description
36	(M3) Vinyl Graphic 15.5" x 28"	1	(M3) Vinyl Graphic 15.5" x 28"
37	(M4) Vinyl Graphic 15.5" x 28"	1	(M4) Vinyl Graphic 15.5" x 28"
38	36821	1	SkyFlyer 10' Sq
39	36899	1	SkyFlyer 10' Sq Hng Pkg
40	White Shelf 42" x 10" x 1"	9	White Shelf 42" x 10" x 1"
41	Wood Lam 92" x 10" Shelf Pole	4	Wood Lam 92" x 10" Shelf Pole
42	34964	8	LED Arm Light
43	EC Panel 46" x 92"	10	EC Panel 46" x 92"
44	EC Panel 46" x 46"	3	EC Panel 46" x 46"
45	EC Panel 23" x 92"	4	EC Panel 23" x 92"
46	EC Panel 23" x 46"	2	EC Panel 23" x 46"
47	EC Panel 23" x 46"	1	EC Panel 23" x 46"
48	Curved 46" Custom Panel	1	Curved 46" Custom Panel
49	EC Panel 15" x 92"	1	EC Panel 15" x 92"
50	EC Pole 92"	6	EC Pole 92"
51	EC Pole 46"	4	EC Pole 46"
52	POC Lights 4"	6	POC Lights 4"
53	White Shelf 46" x 10" x 2"	2	White Shelf 46" x 10" x 2"
54	Curved 23" Custom Panel	1	Curved 23" Custom Panel
55	EC Post 92"	1	White Matte Laminate
56	EC Rail 57.5"	4	White Matte Laminate
57	EC Post 24"	2	White Matte Laminate
58	EC Post 92"	1	White Matte Laminate
59	38" x 61.75"	2	Frosted Plexi .25"
60	39.25" x 61.75"	1	Frosted Plexi .25"
61	Gripper	4	Gripper
62	Wood Lam Shelf 15.5" x 19.5" x 1"	6	Wood Lam Shelf 15.5" x 19.5" x 1"
63	Wood Lam Shelf Column 19.5" x 19.5" x 92"	2	Wood Lam Shelf Column 19.5" x 19.5" x 92"
64	Wood Lam - 52" x 2" x 2" Pole	8	Wood Lam - 52" x 2" x 2" Pole
65	Wood Lam - 19.5" x 2" x 2" Pole	4	Wood Lam - 19.5" x 2" x 2" Pole
66	Wood Lam - 90" x 2" x 2" Pole	4	Wood Lam - 90" x 2" x 2" Pole
67	Door 21" x 28"	12	Door 21" x 28"
68	Wood Lam - Display 46" x 19.5" x 40"	6	Wood Lam - Display 46" x 19.5" x 40"
69	Wood Lam - Display 46" x 19.5" x 32"	4	Wood Lam - Display 46" x 19.5" x 32"
70	White Panel 42" x 36"	17	White Panel 42" x 36"

Cad Bill of Materials includes only the major components in this display. This list does not include parts such as connectors, brackets and other misc. items including custom parts. Please only use this list as a guide to estimating your display.

Job Name:	Show Location:	Art #	SSFQ #	Version:	Dealer #	Rep:	Drawn By:
Decowraps	IFPA - 10/2024	70978	EC50192	B	075	Wendy L.	ES

Item No.	Part Number	Qty	Description
71	White Panel 15.5" x 36"	10	White Panel 15.5" x 36"
72	White Panel 42" x 15.5"	10	White Panel 42" x 15.5"
73	Shelf 42" x 15.5"	6	Shelf 42" x 15.5"
74	White Panel 15.5" x 28"	8	White Panel 15.5" x 28"
75	Wood Lam - 44" x 2" x 2" Pole	4	Wood Lam - 44" x 2" x 2" Pole
76	Door Panel 15.5" x 36"	2	Door Panel 15.5" x 36"
77	Wood Lam Display 46" x 32" x 19.5"	2	Wood Lam Display 46" x 32" x 19.5"
78	Panel 15.5" x 28"	4	Panel 15.5" x 28"
79	White Panel 42" x 36"	1	White Panel 42" x 36" w Wire Mangement
80	Cabinet 46"x 40"x20"	2	Cabinet 46"x 40"x20"
81	Door 20" x 34"	4	Door 20" x 34"
82	Knob	4	Knob
83	Wood Lam - 92" x 10" Shelf Pole	2	Wood Lam - 92" x 10" Shelf Pole
84	Base 92"L x 24"D x 12"H	2	Formica Natural Maple Lam
85	40" LED Strip Light wireless	9	40" LED Strip Light wireless
86	3.5" Wireless LED Puck Light	8	3.5" Wireless LED Puck Light
87	Base 46"L x 24"D x 12"H	1	Formica Natural Maple Lam
88	Pedestal 48" x 48" x 24"	2	Formica Natural Maple Lam

Cad Bill of Materials includes only the major components in this display. This list does not include parts such as connectors, brackets and other misc. items including custom parts. Please only use this list as a guide to estimating your display.

Job Name:	Show Location:	Art #	SSFQ #	Version:	Dealer #	Rep:	Drawn By:
Decowraps	IFPA - 10/2024	70978	EC50192	B	075	Wendy L.	ES