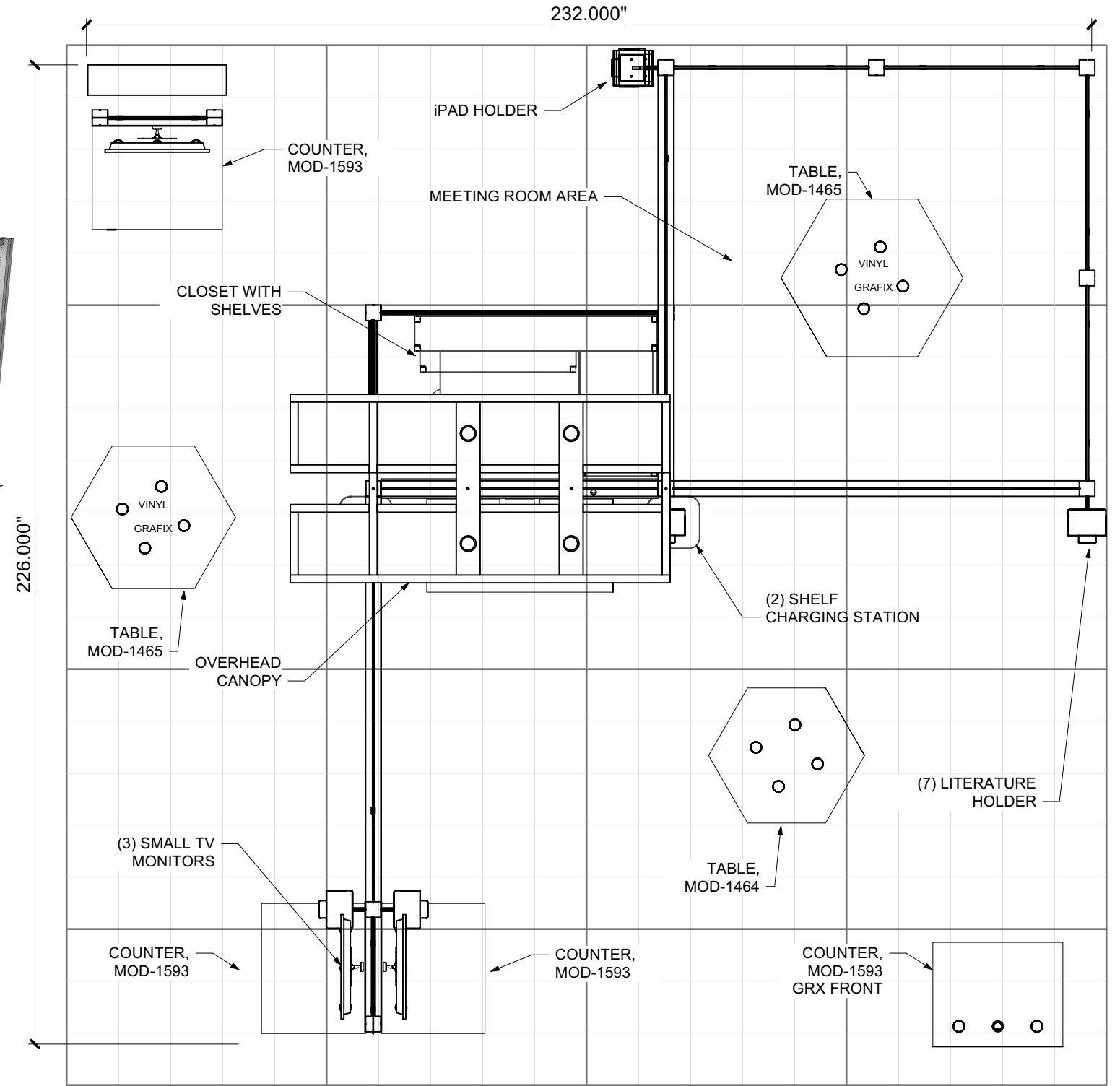


1A IsoPersp
Scale: NTS



2 Top
Scale: 3/8" = 1'-0"

Distributor Name: Trade Show Solutions Center

Client Name: TBD

Ph: 866.652.2100
Fx: 503.652.7084

Prepared By: K-F. PURELL
Ship Date: 2022-10-28
Order # 59121_Details-TSSC-VK_5091-20x20.vwx

Plot Date: 2022-10-03

ASME B
SHEET:



Classic Exhibits

Distributor Name: Trade Show Solutions Center

Client Name: TBD

Ph: 866.652.2100
Fx: 503.652.7084

Plot Date: 2022-10-03

Prepared By: K-F. PURELL

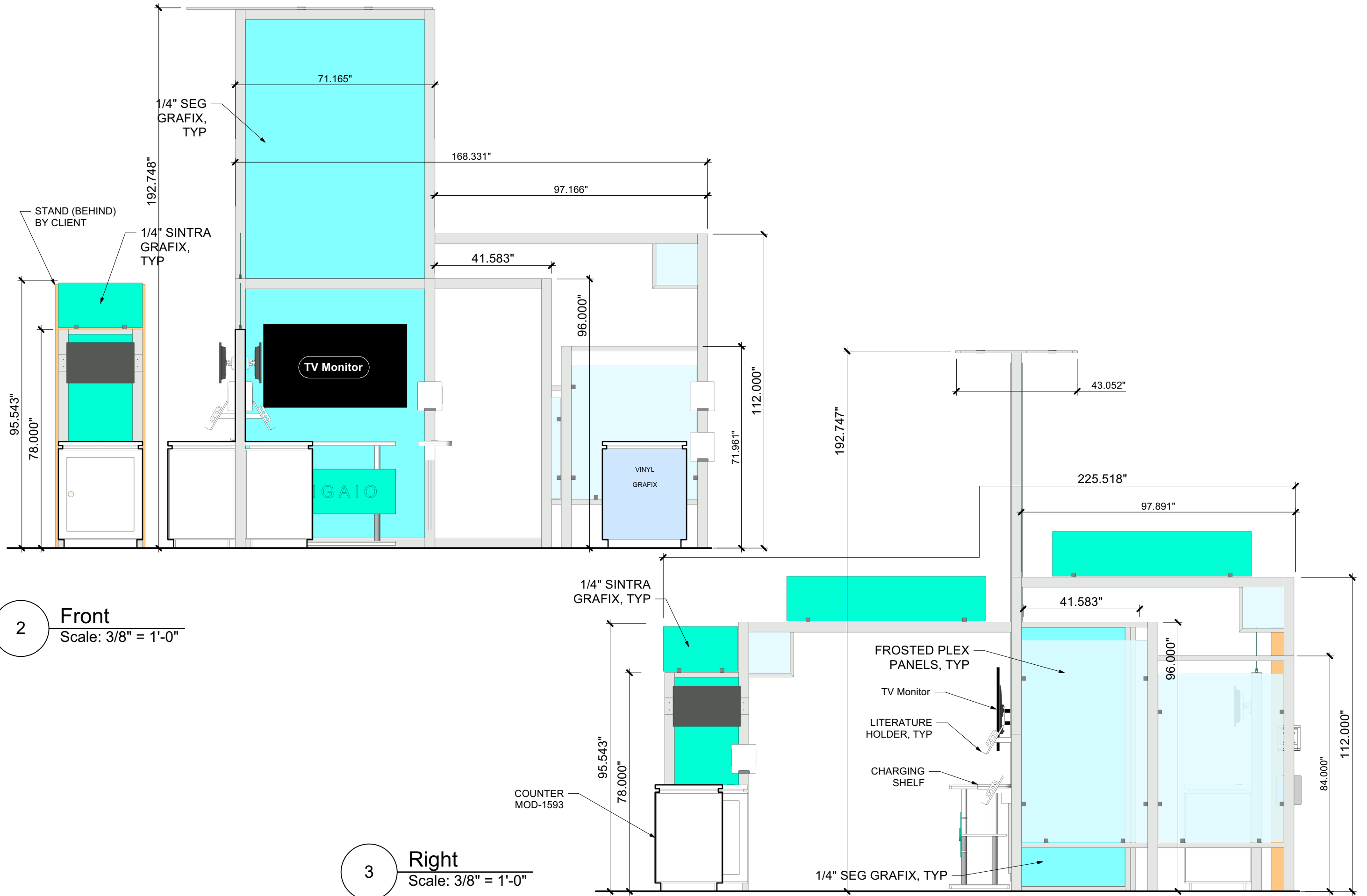
Ship Date: 2022-10-28

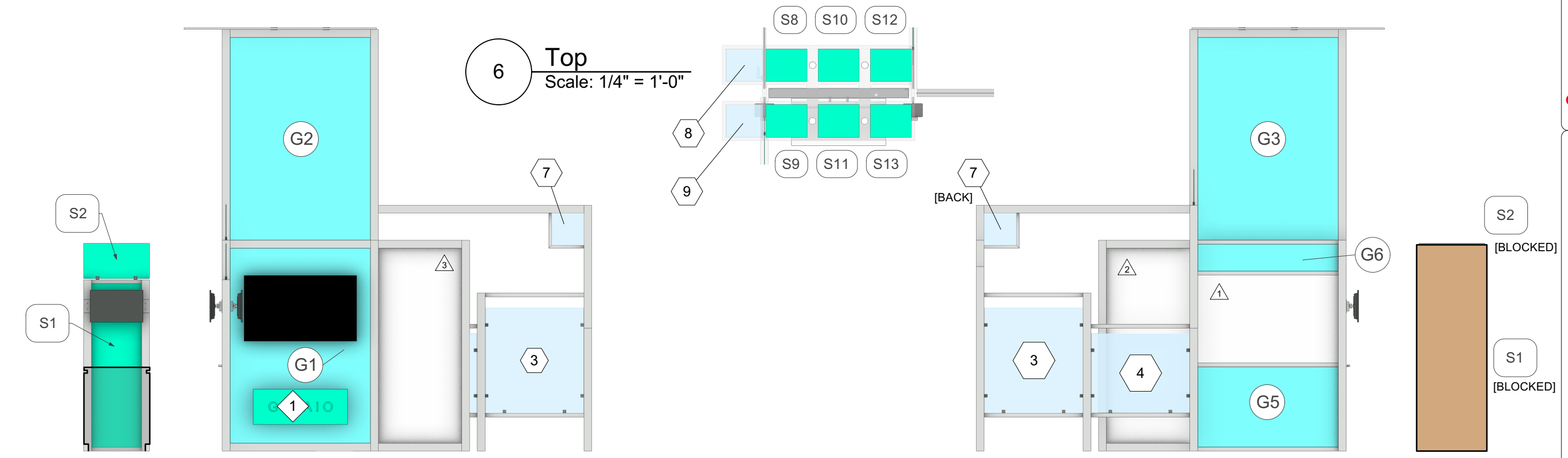
Order# 59121_Details-TSSC-VK_5091-20x20.vwx

ASME B

SHEET:

2

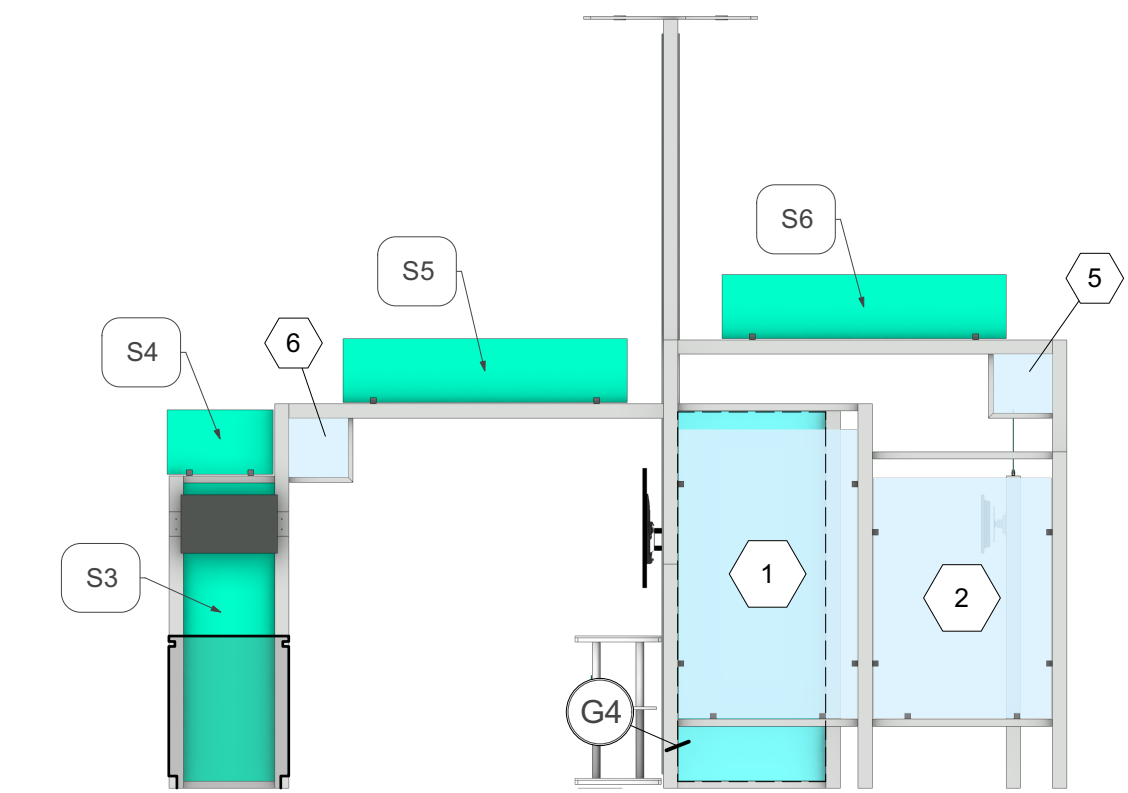




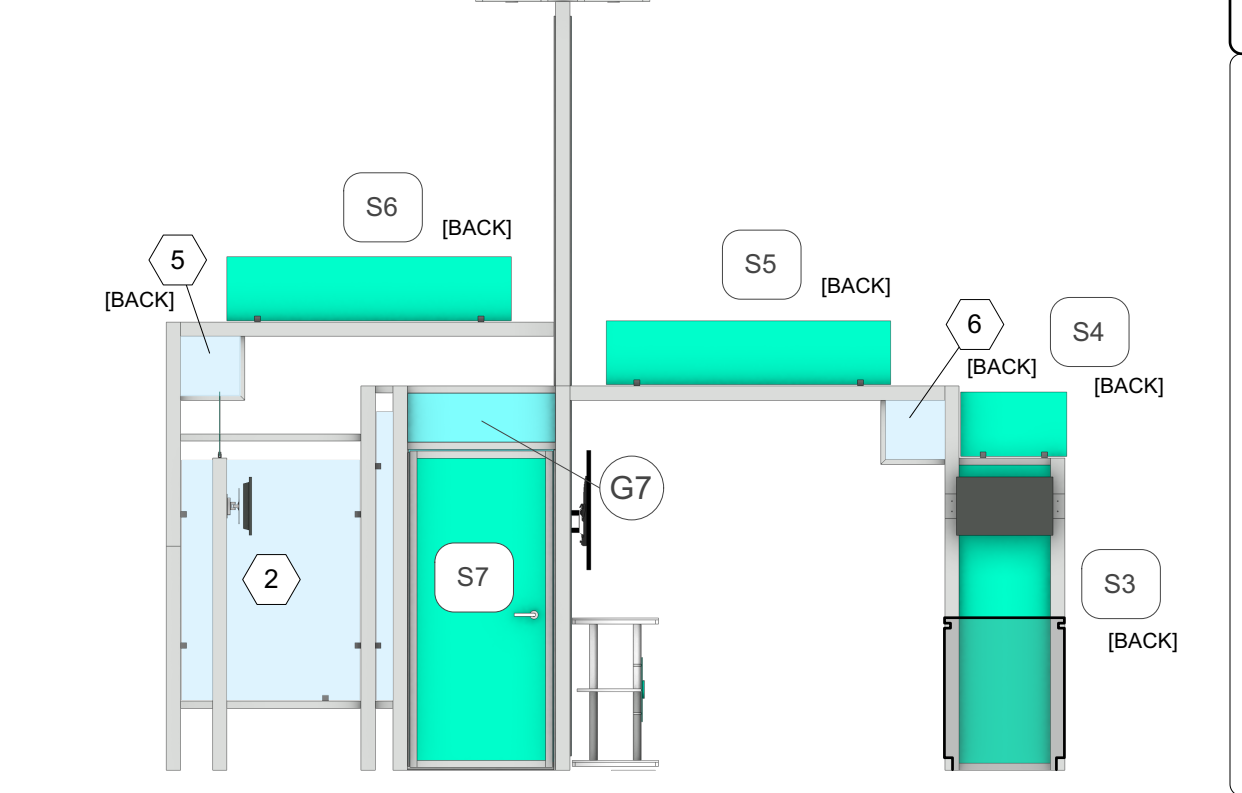
1 Front
Scale: 1/4" = 1'-0"

6 Top
Scale: 1/4" = 1'-0"

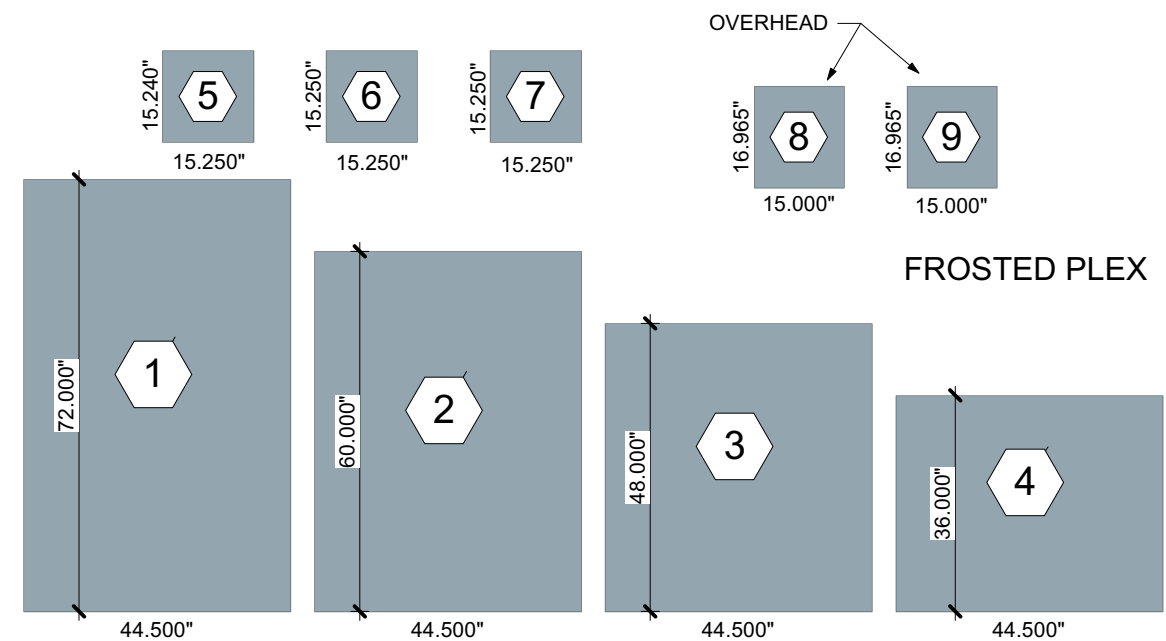
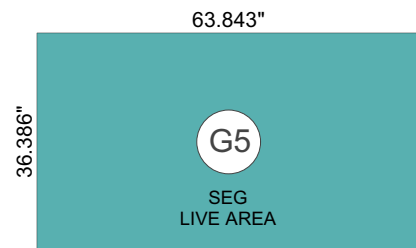
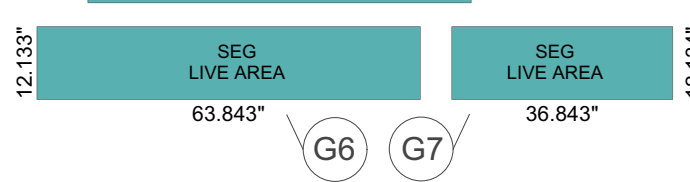
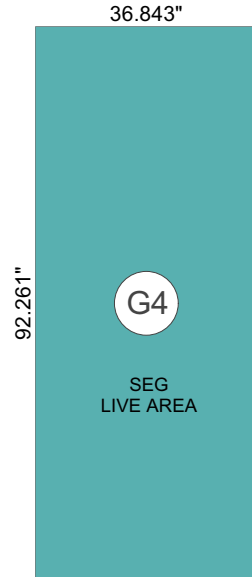
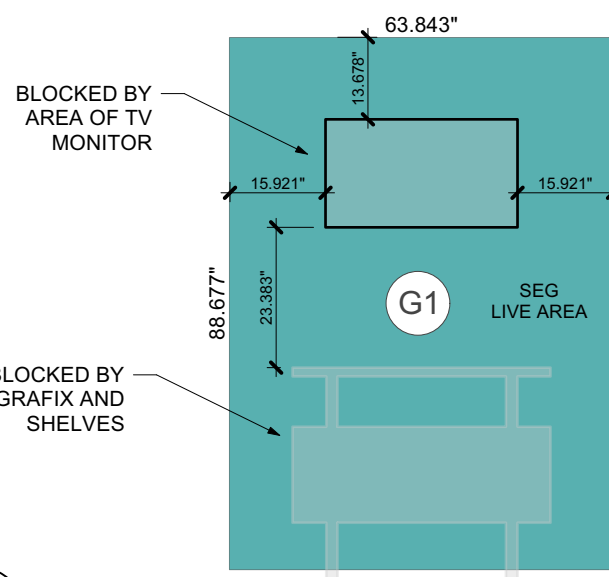
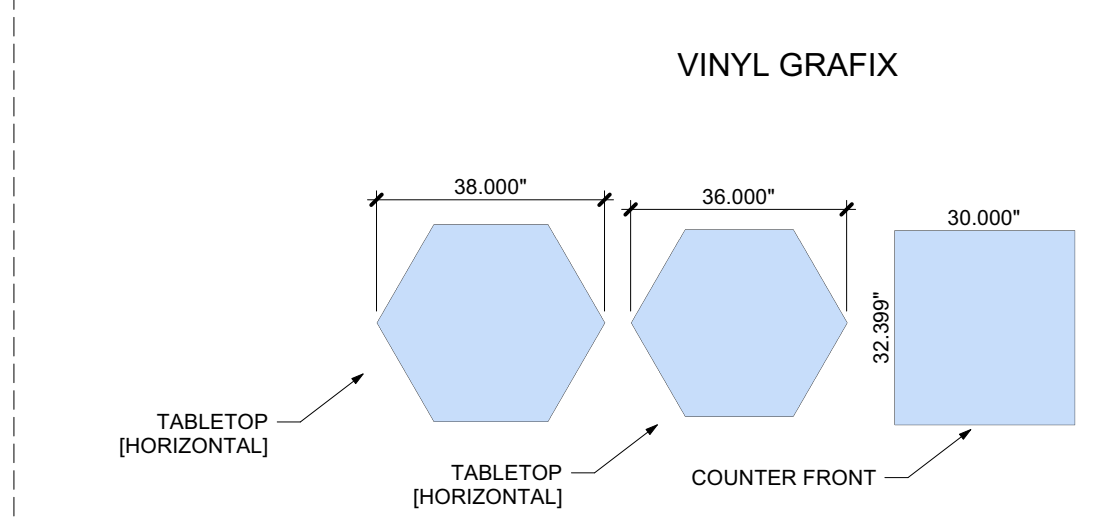
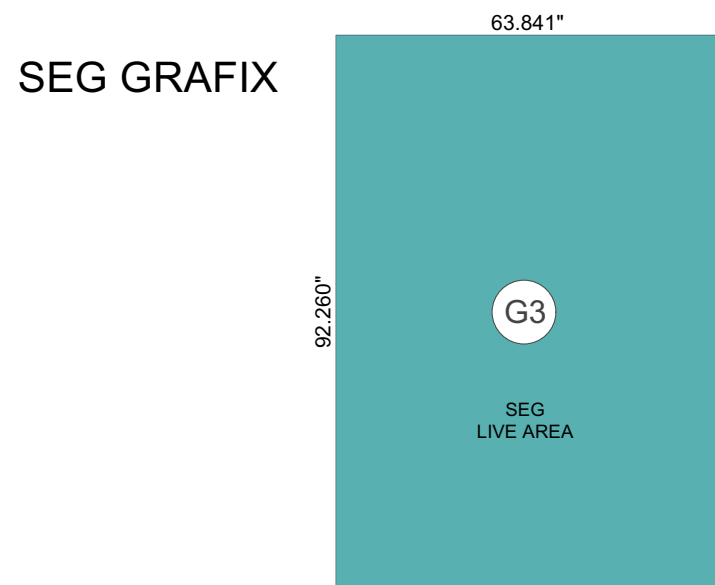
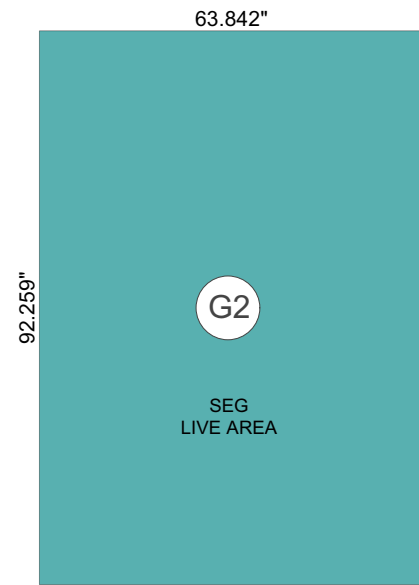
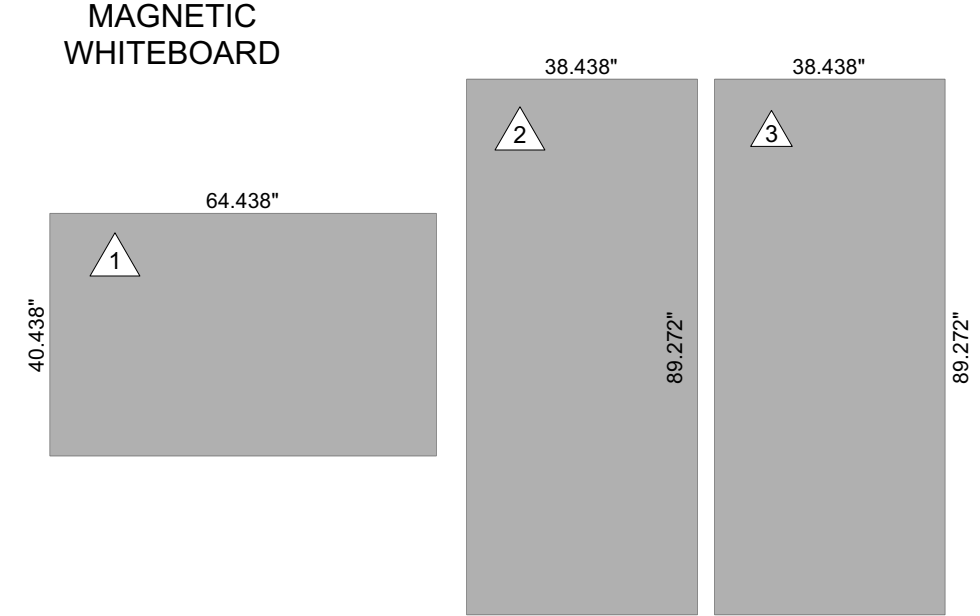
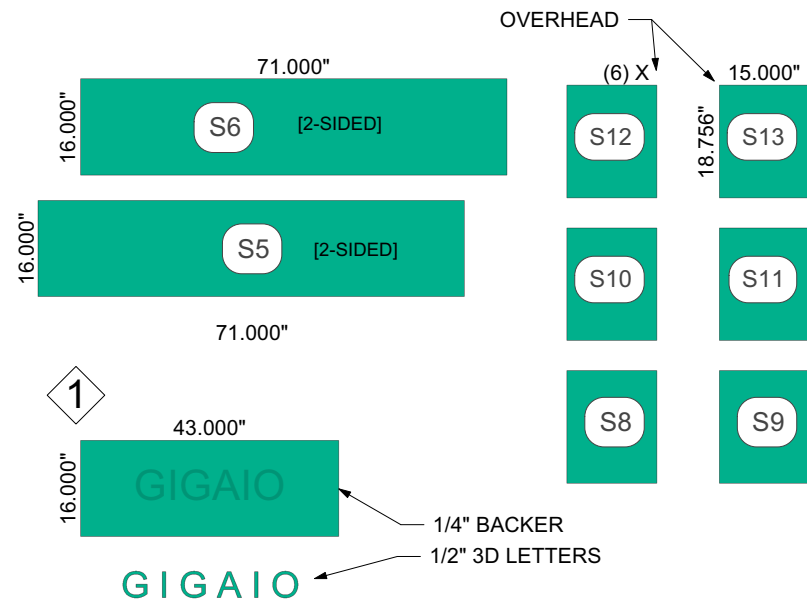
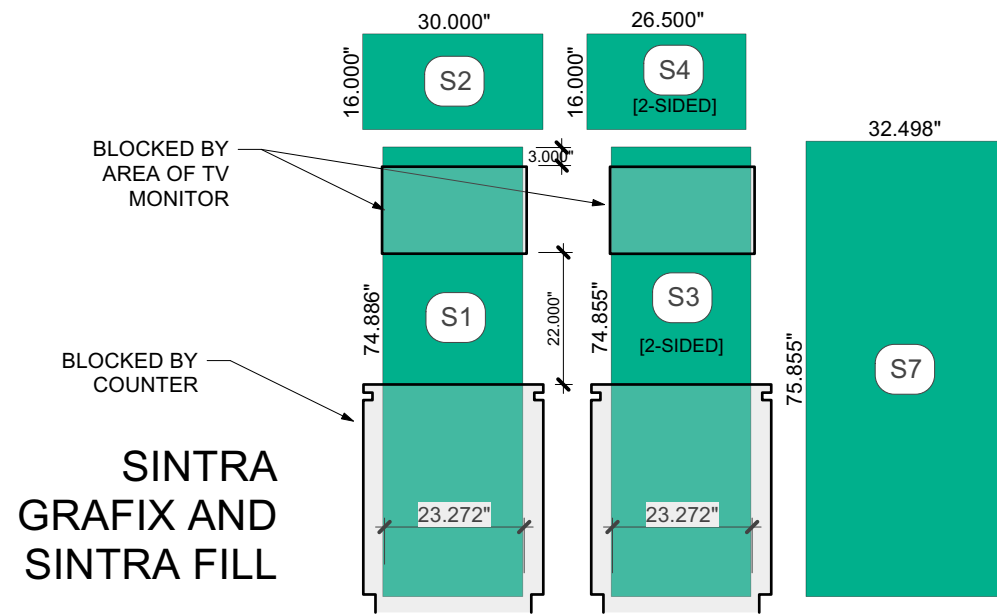
3 Back
Scale: 1/4" = 1'-0"



2 Right
Scale: 1/4" = 1'-0"

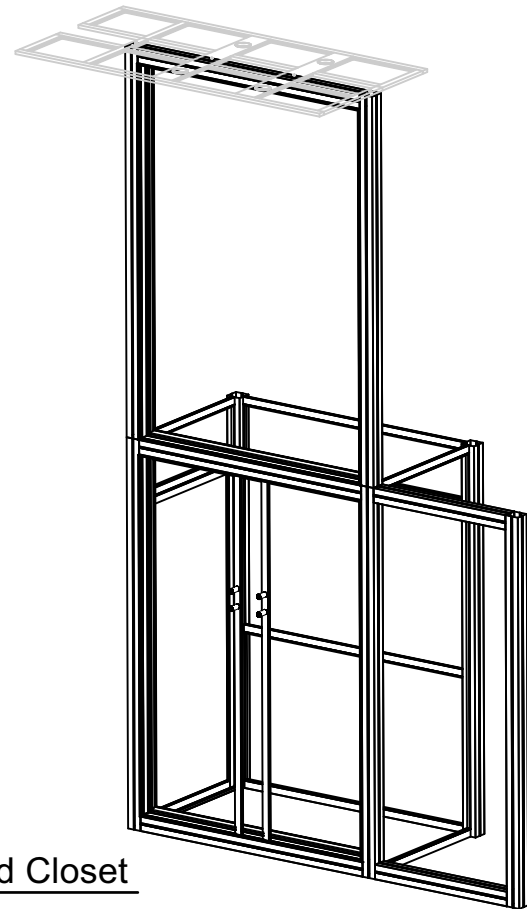


4 Left
Scale: 1/4" = 1'-0"

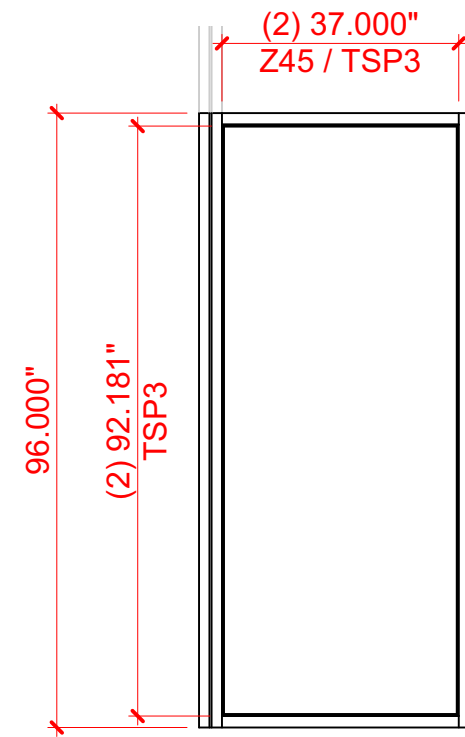
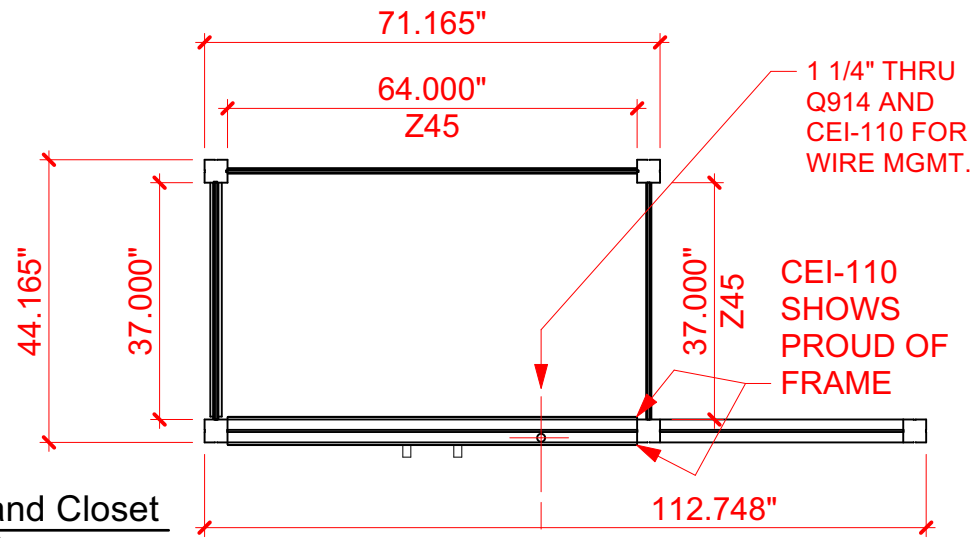


1 **GRAFIX DIMS**
Scale: 3/8" = 1'-0"

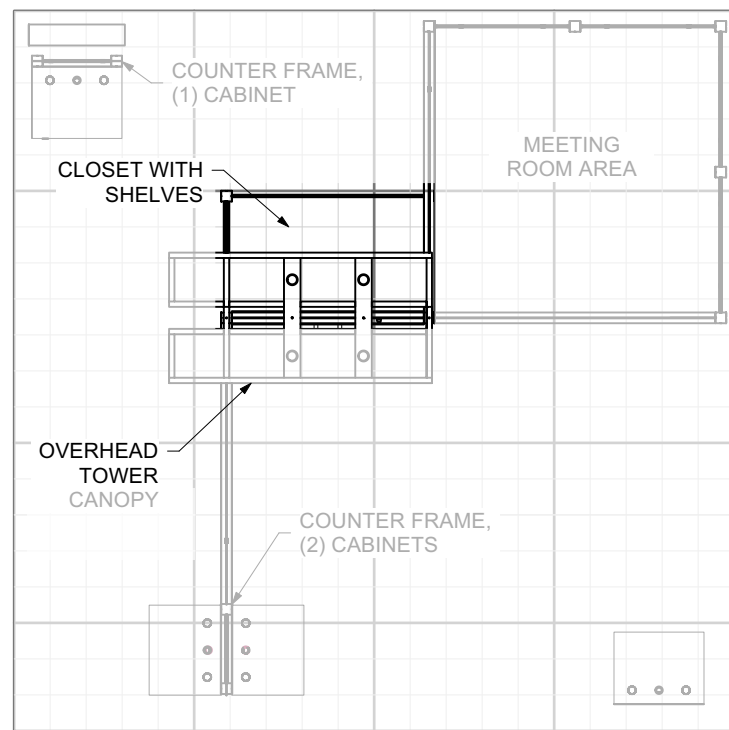
VK-5091 TOWER



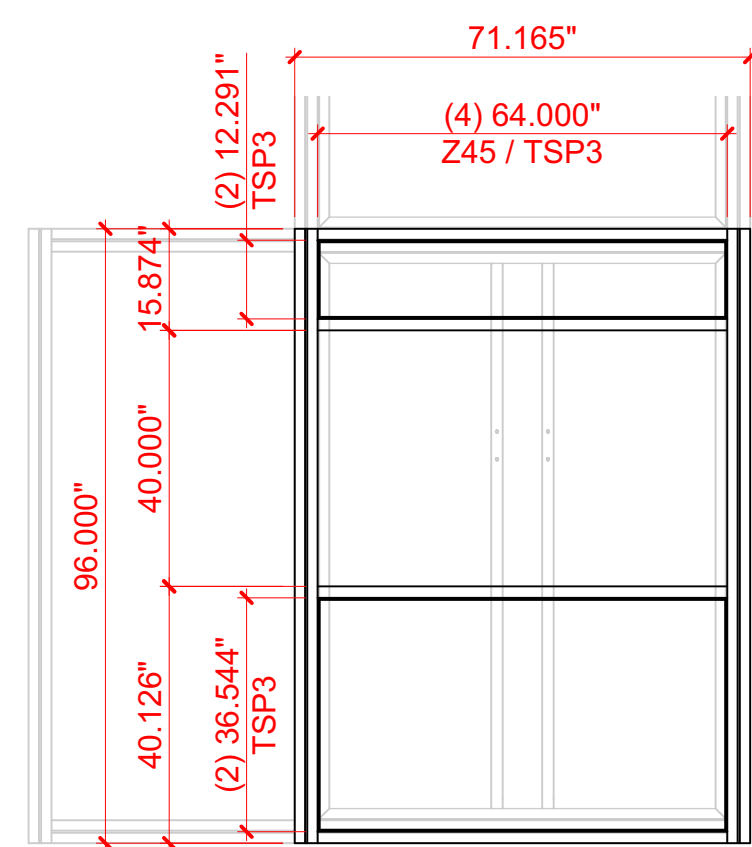
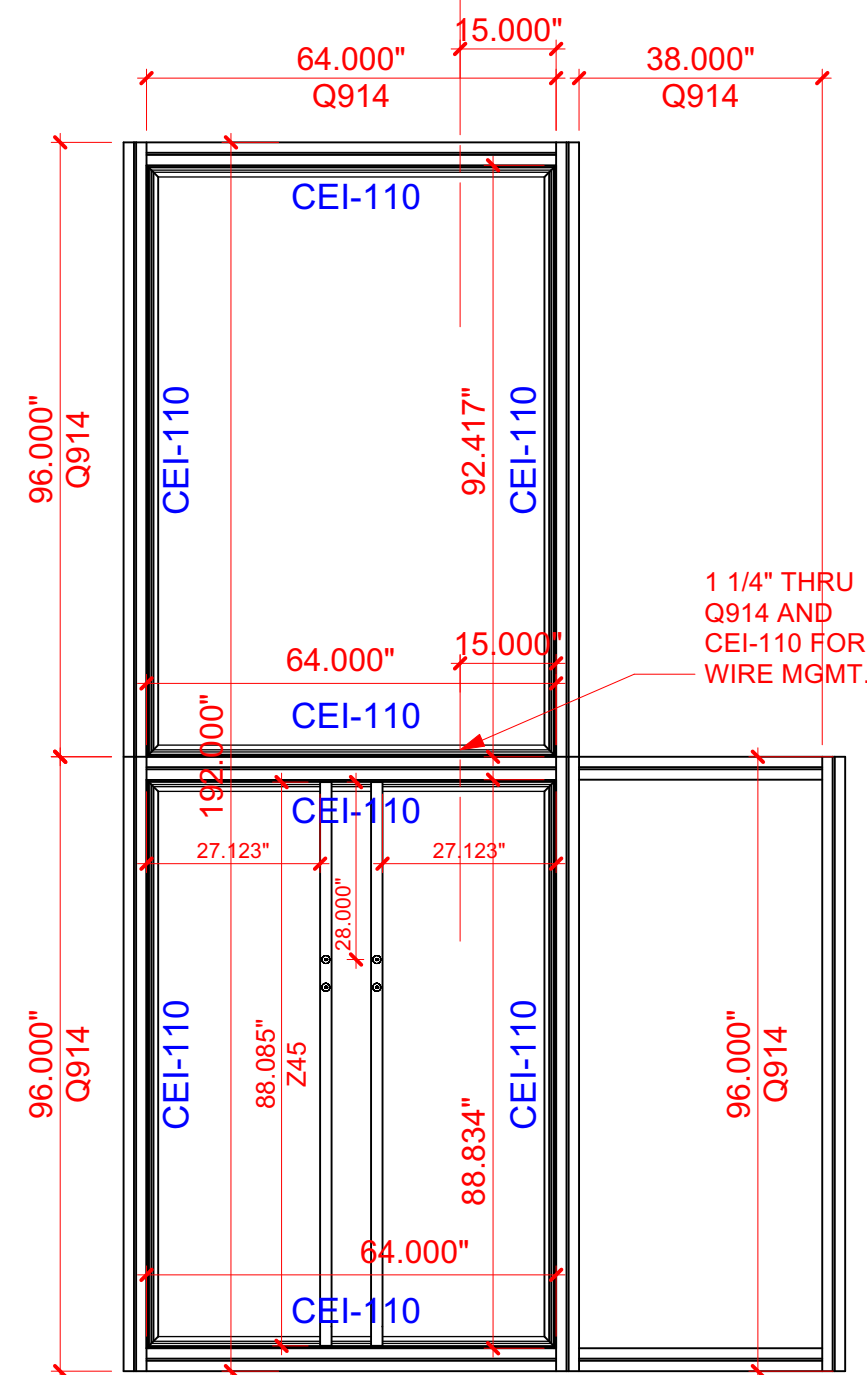
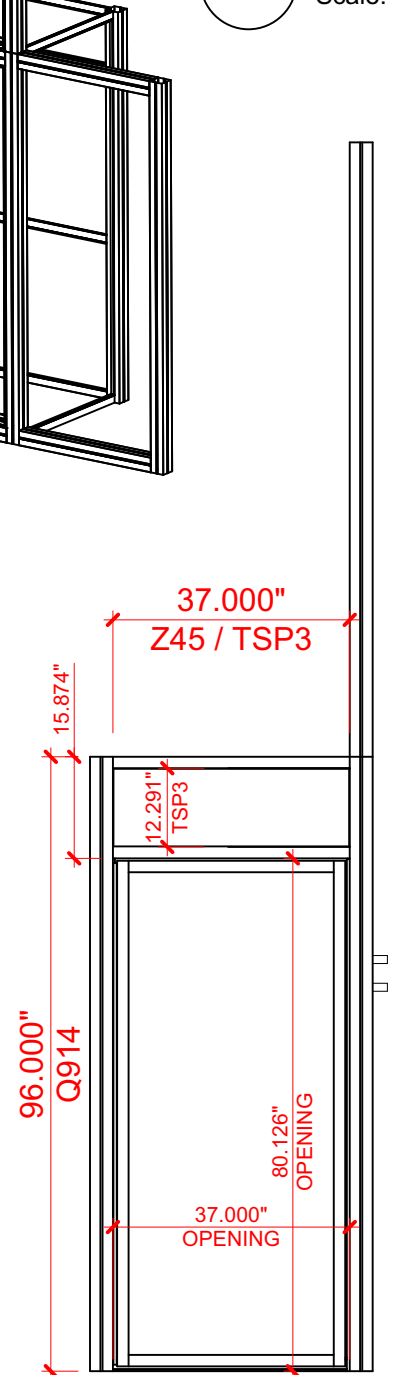
3 Tower and Closet
Scale: 1:30



1 Iso - Tower and Closet
Scale: Actual Size



2 Top
Scale: 3/16" = 1'-0"





Classic Exhibits

Distributor Name: Trade Show Solutions Center

Client Name: TBD

Ph: 866.652.2100

Fx: 503.652.7084

Prepared By: K-F. PURELL

Ship Date: 2022-10-28

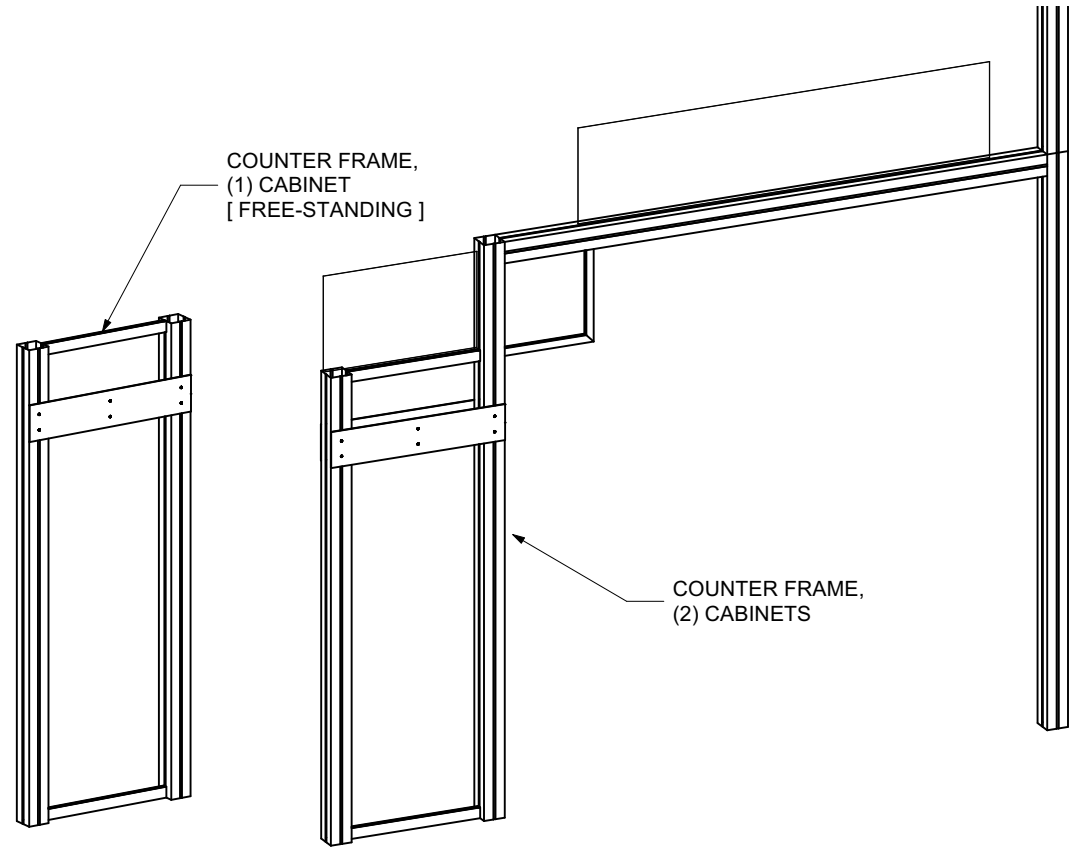
Plot Date: 2022-10-03

Order# 59121_Details-TSSC-VK_5091-20x20.vwx

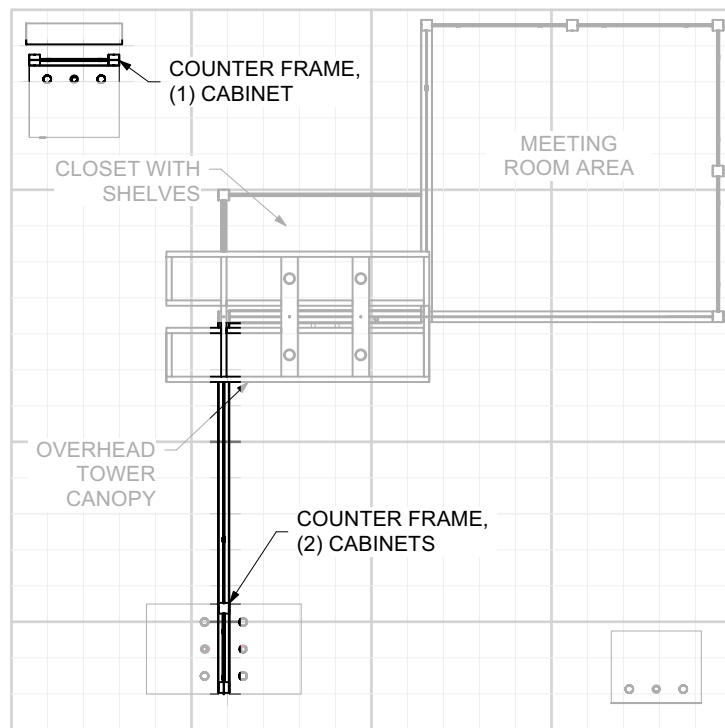
ASME B

SHEET:

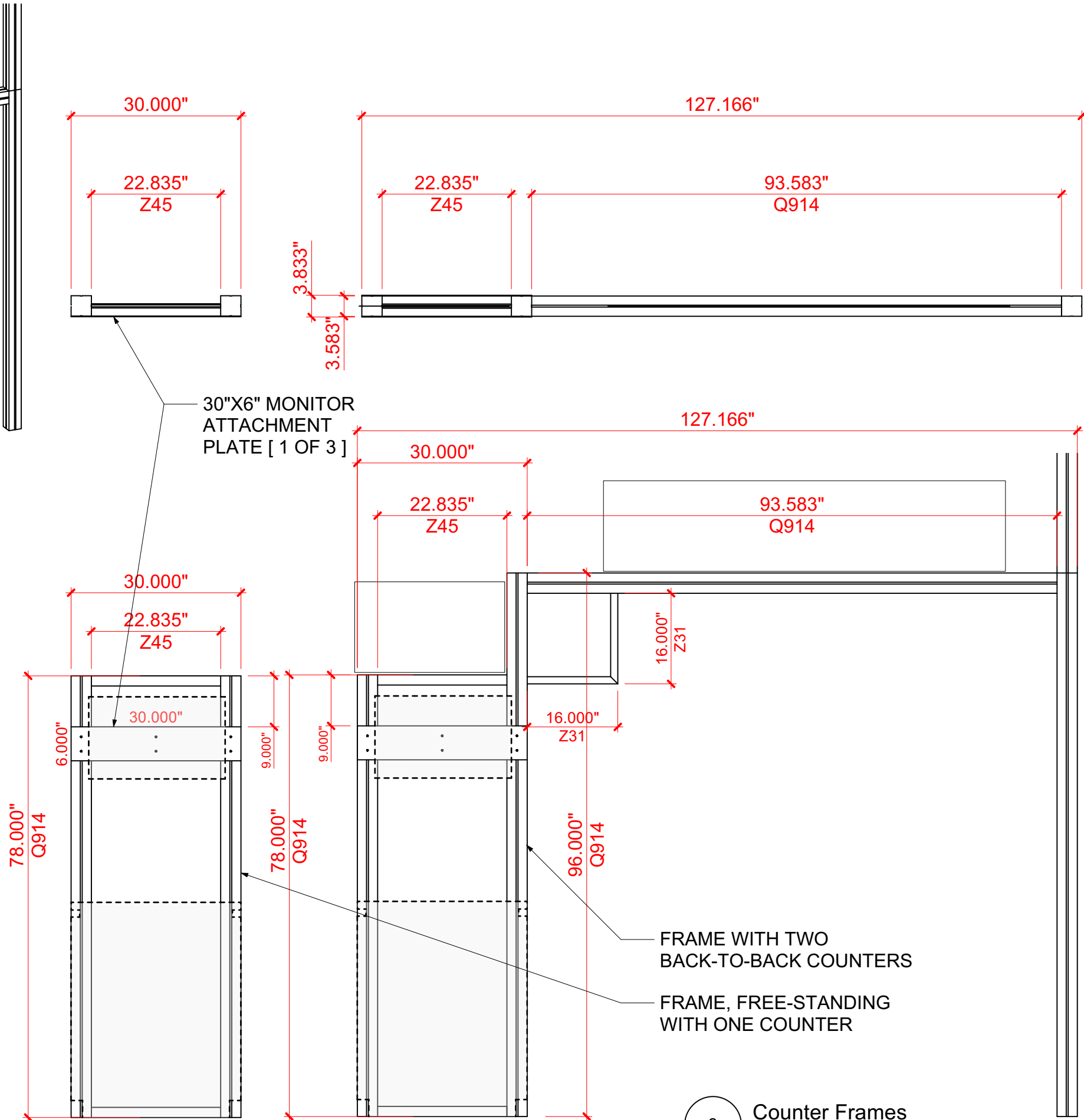
5



1 Iso - Counter Frames
Scale: Actual Size

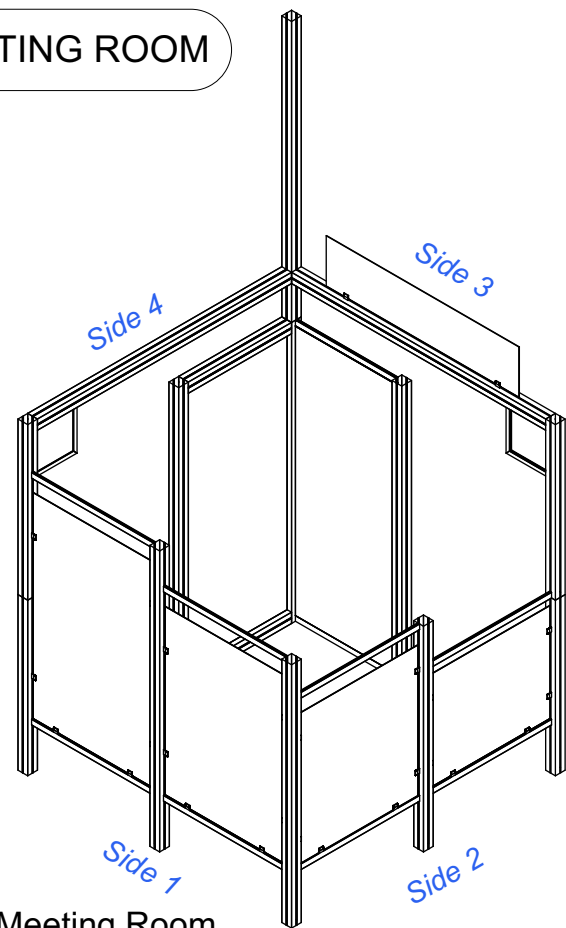


2 Top
Scale: 3/16" = 1'-0"

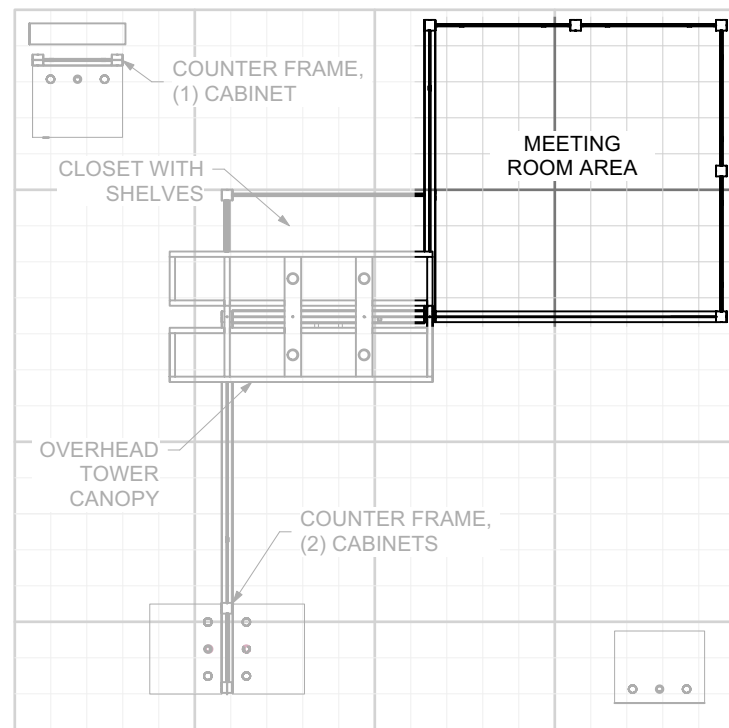


3 Counter Frames
Scale: 1:20

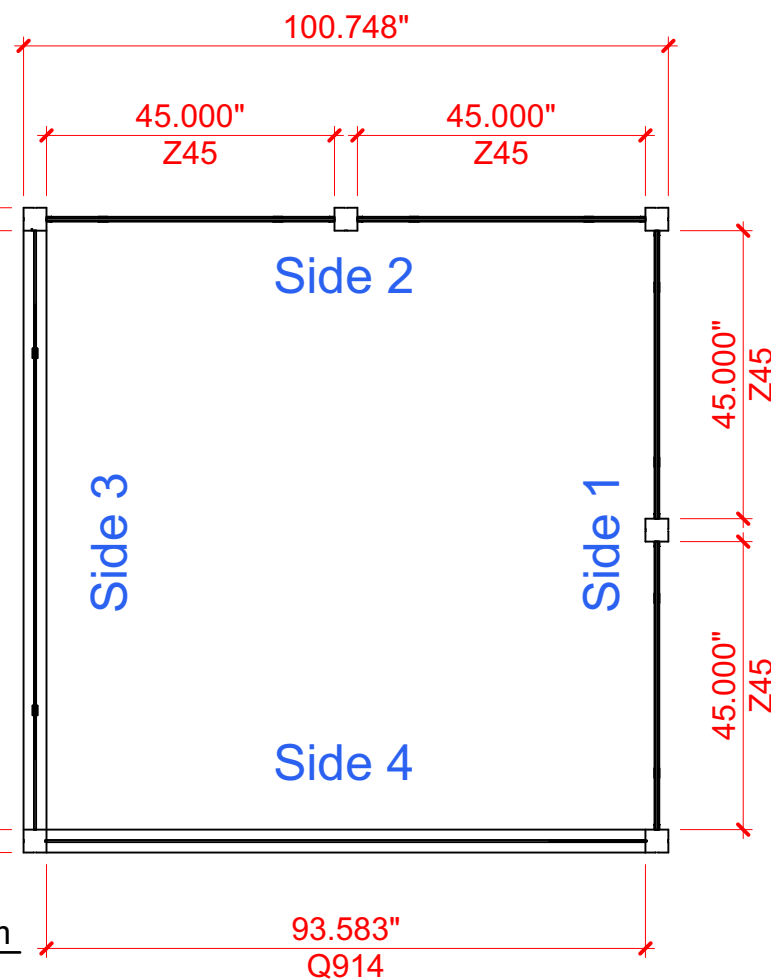
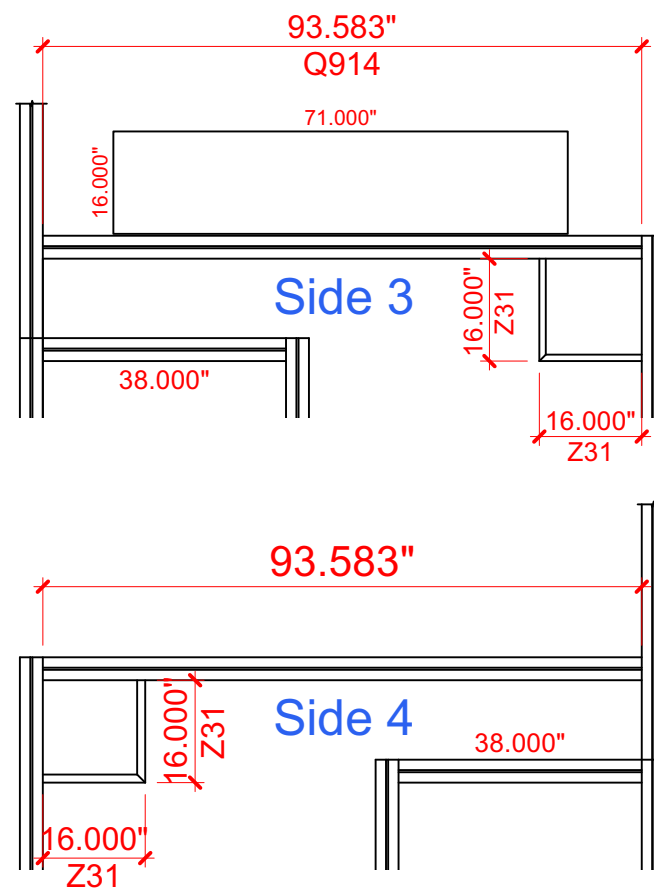
VK-5091 MEETING ROOM



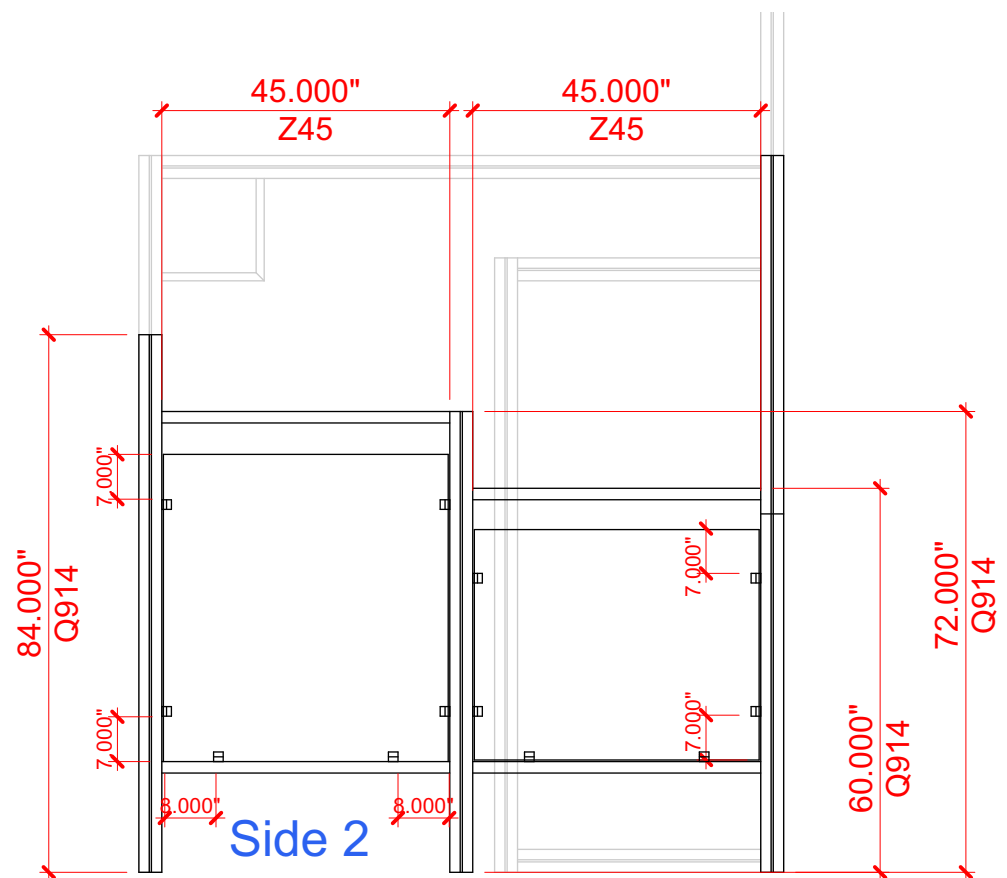
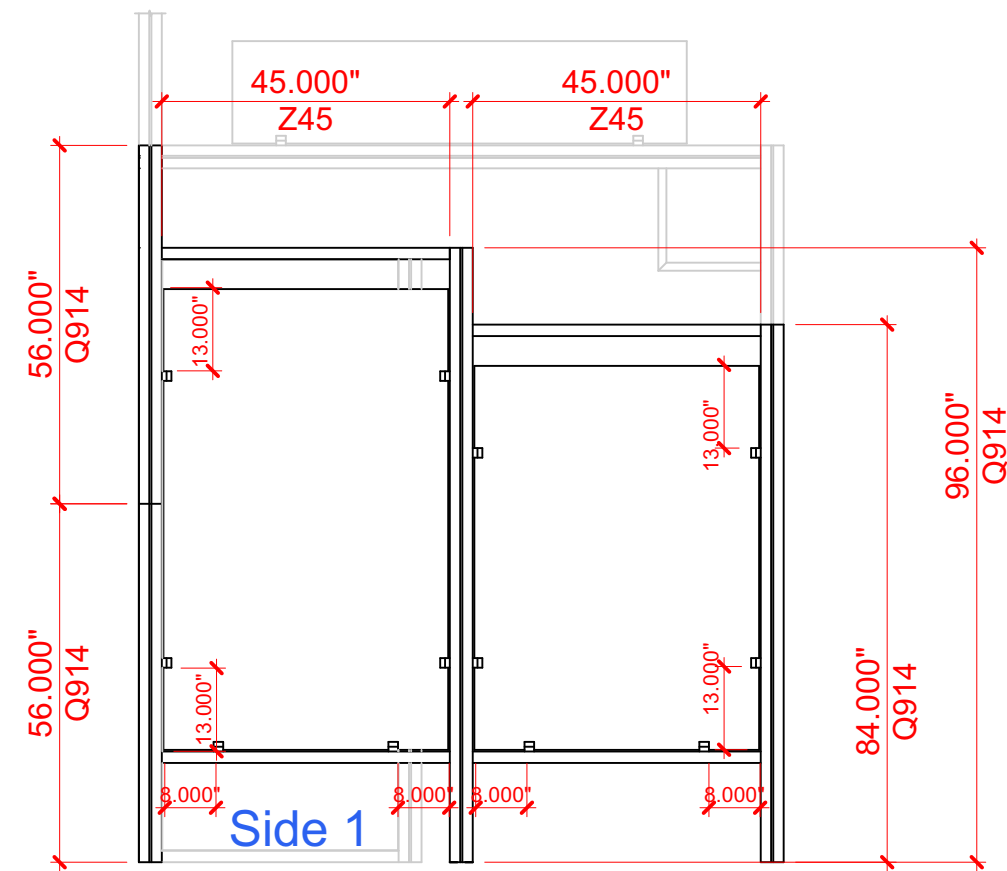
1 Iso - Meeting Room
Scale: 1:50



2 Top
Scale: 3/16" = 1'-0"



3 Meeting Room
Scale: 1:30



Distributor Name: Trade Show Solutions Center

Client Name: TBD

Ph: 866.652.2100
Fx: 503.652.7084

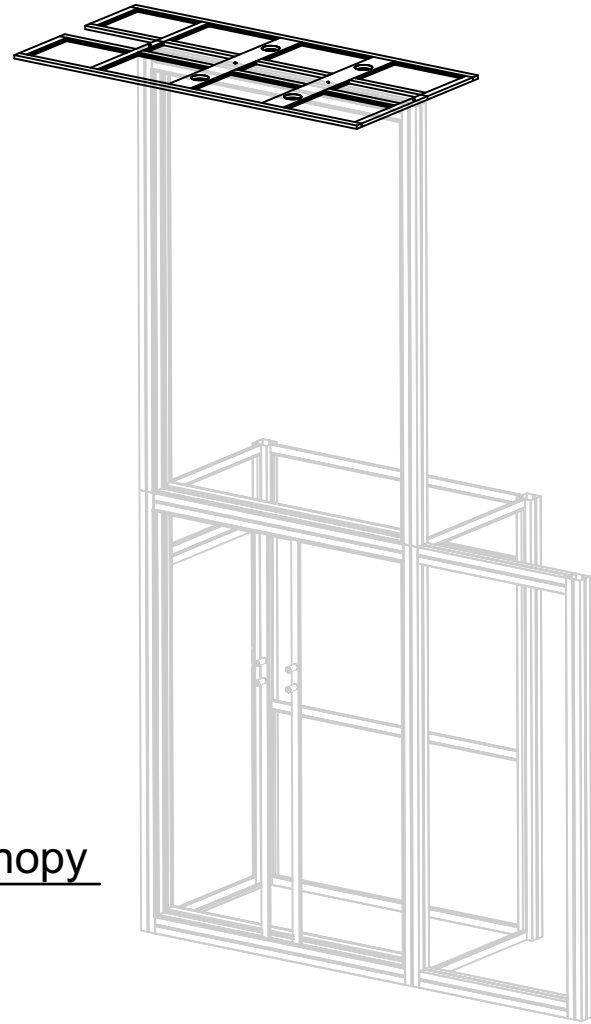
Prepared By: K-F. PURELL

Ship Date: 2022-10-28

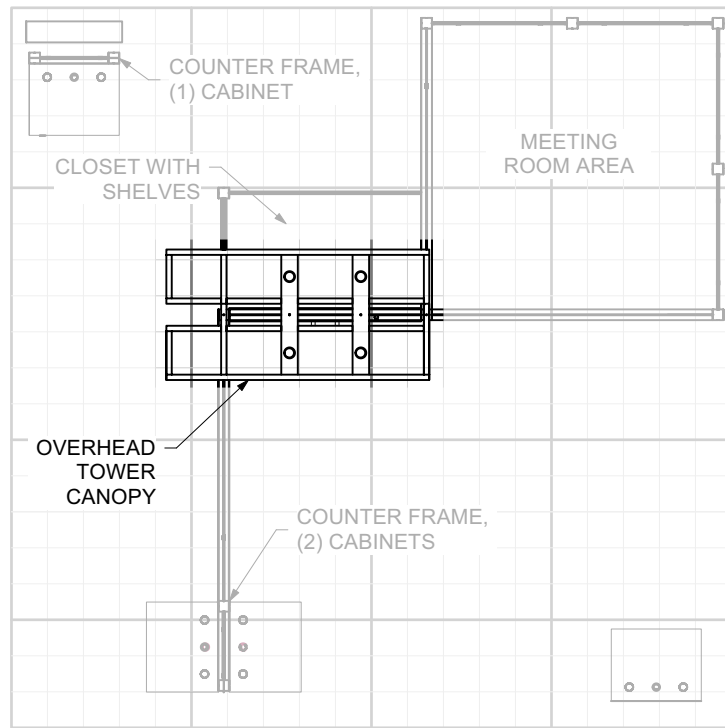
Plot Date: 2022-10-03
Order# 59121_Details-TSSC-VK_5091-20x20.vwx

ASME B SHEET:

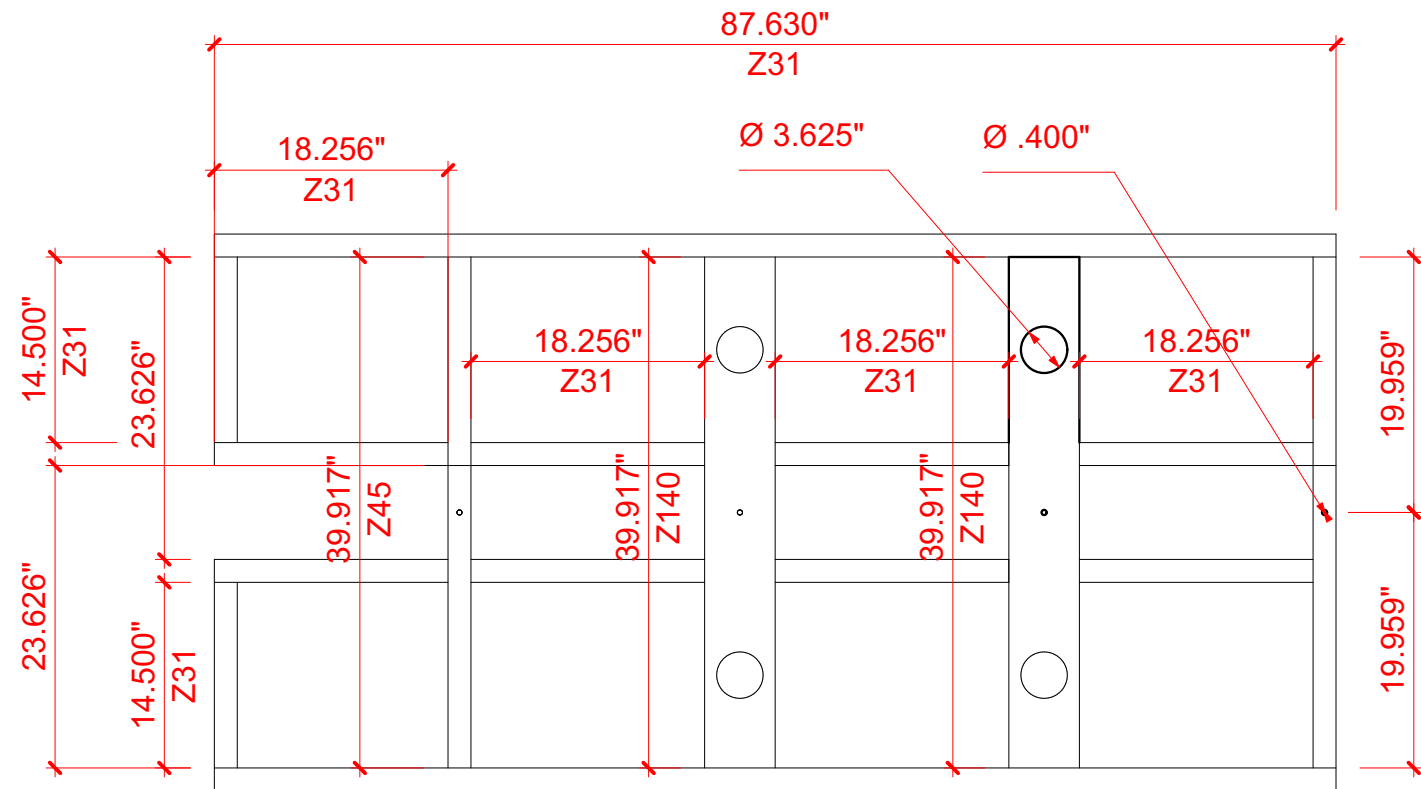
VK-5091 TOWER CANOPY



1 Iso - Tower and Canopy
Scale: 1:40



2 Top
Scale: 3/16" = 1'-0"



3 Tower Canopy
Scale: 1:15



Classic Exhibits

Distributor Name: Trade Show Solutions Center

Client Name: TBD

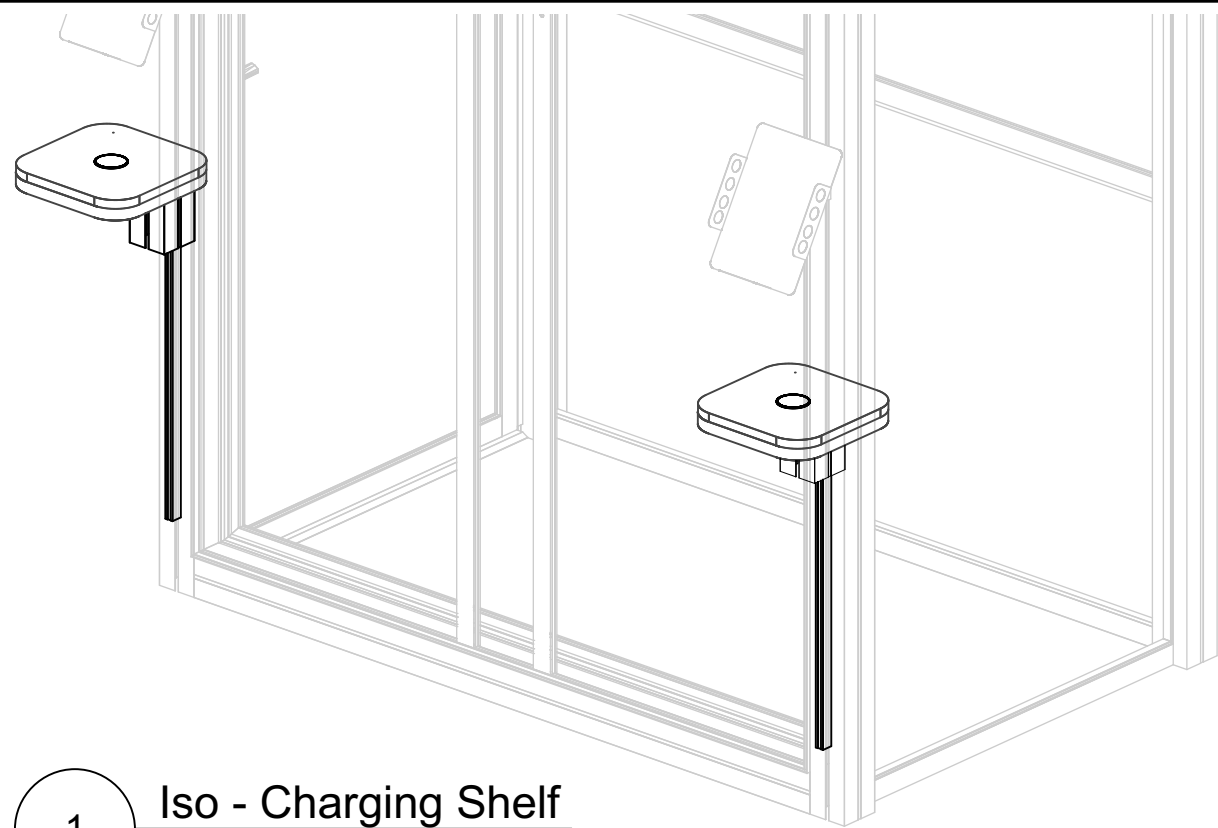
Ph: 866.652.2100
Fx: 503.652.7084

Prepared By: K-F. PURELL
Ship Date: 2022-10-28
Plot Date: 2022-10-03
Order # 59121_Details-TSSC-VK_5091-20x20.vwx

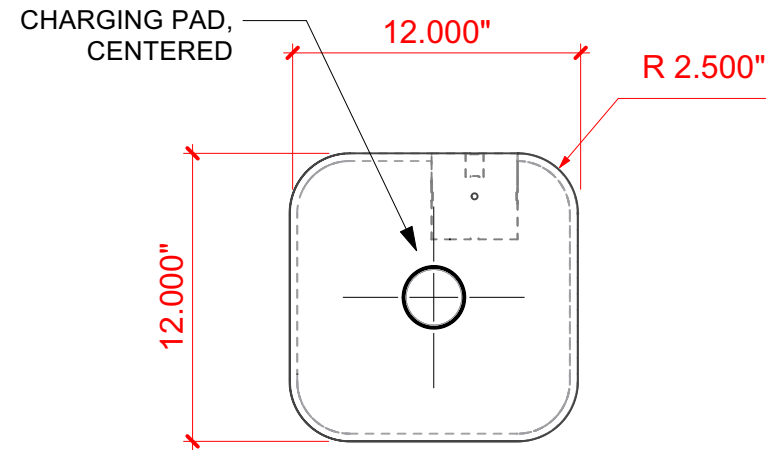
ASME B

SHEET:

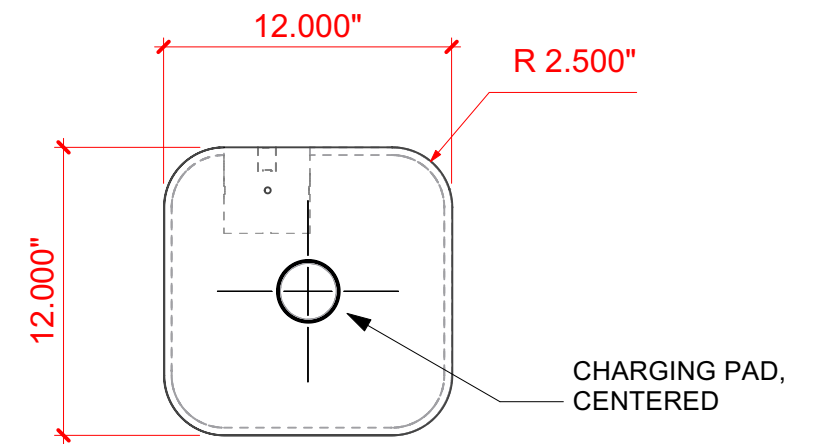
8



1 Iso - Charging Shelf
Scale: 1:15

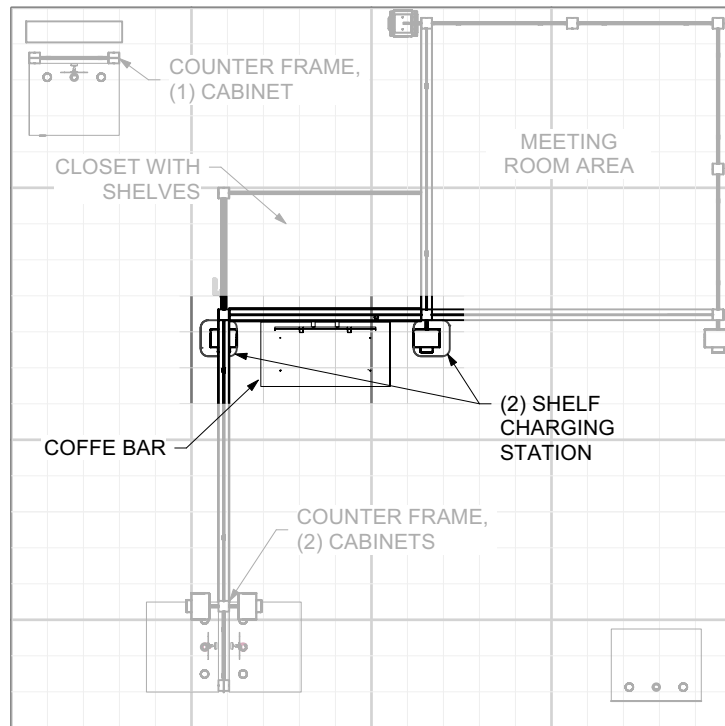


LEFT

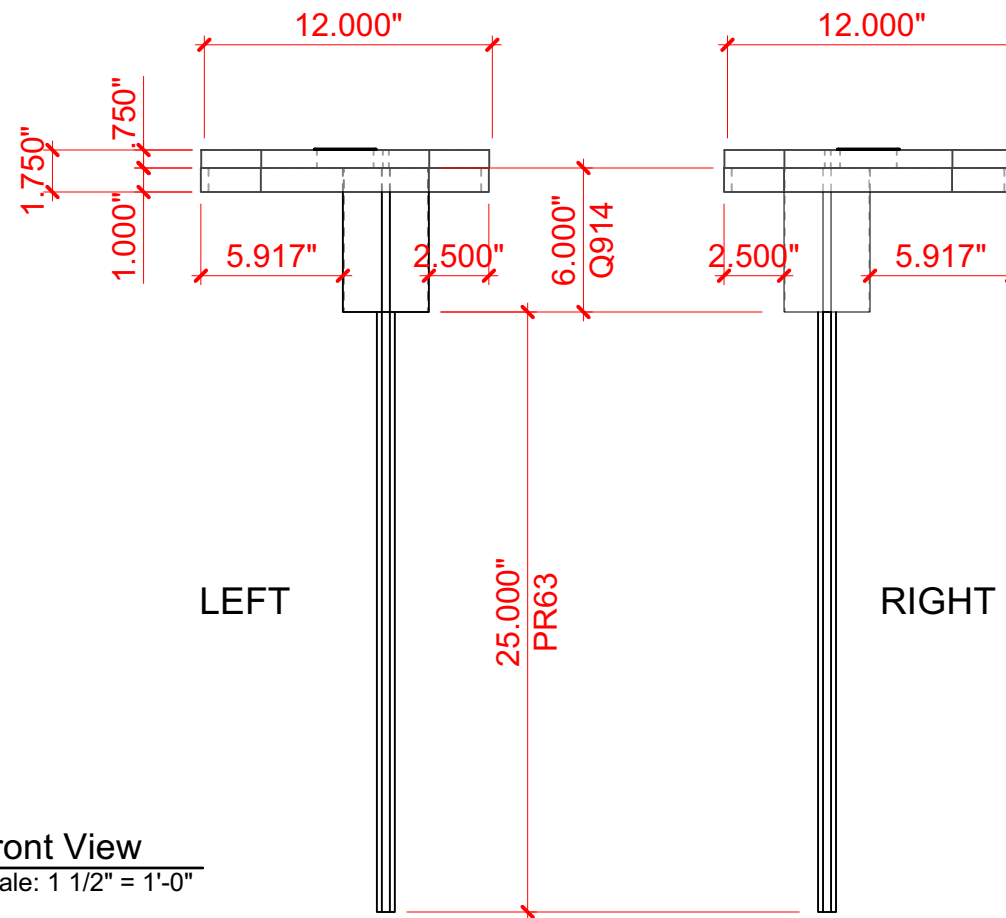


RIGHT

3 Top View
Scale: 1 1/2" = 1'-0"



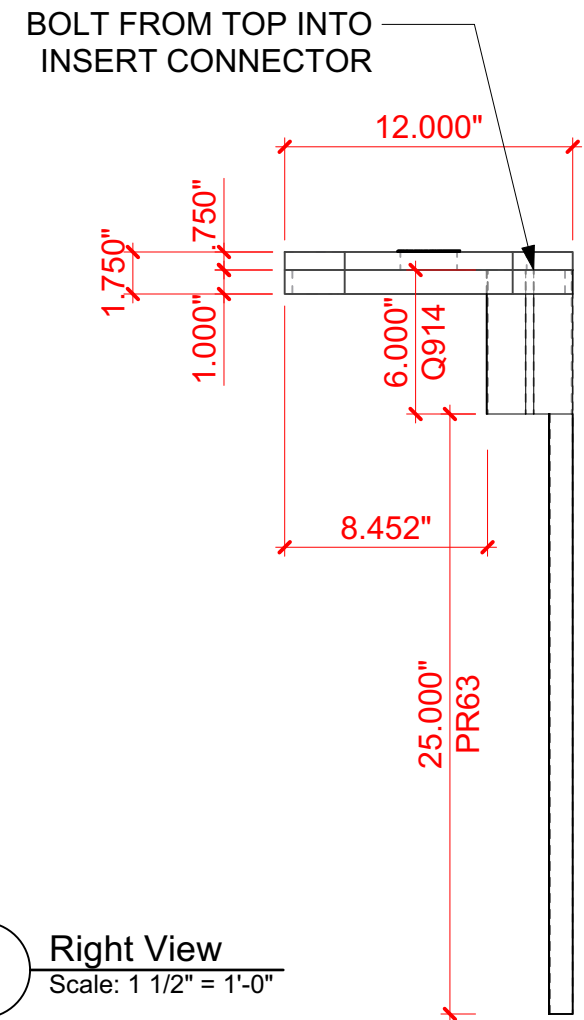
2 Top
Scale: 3/16" = 1'-0"



LEFT

RIGHT

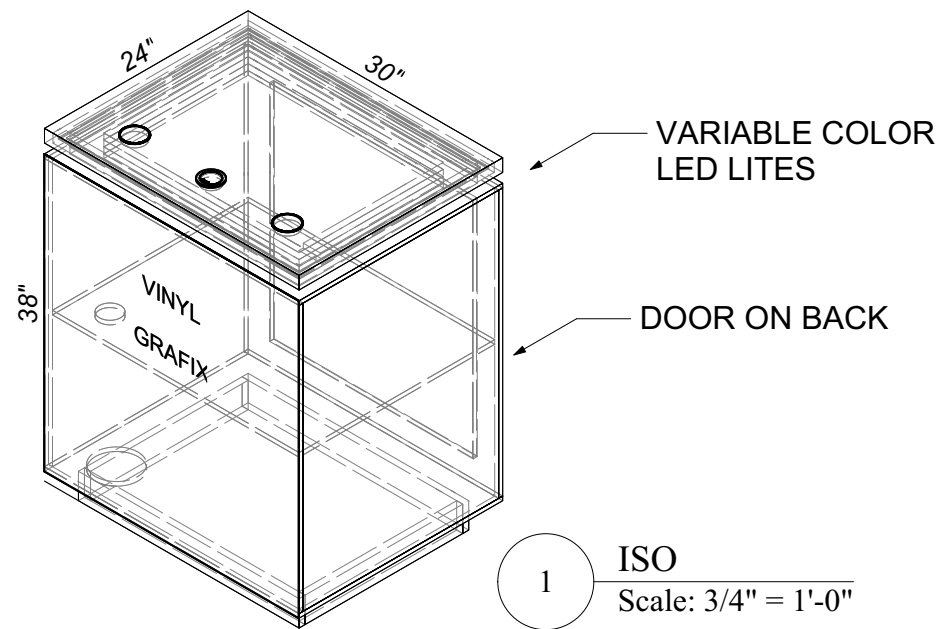
4 Front View
Scale: 1 1/2" = 1'-0"



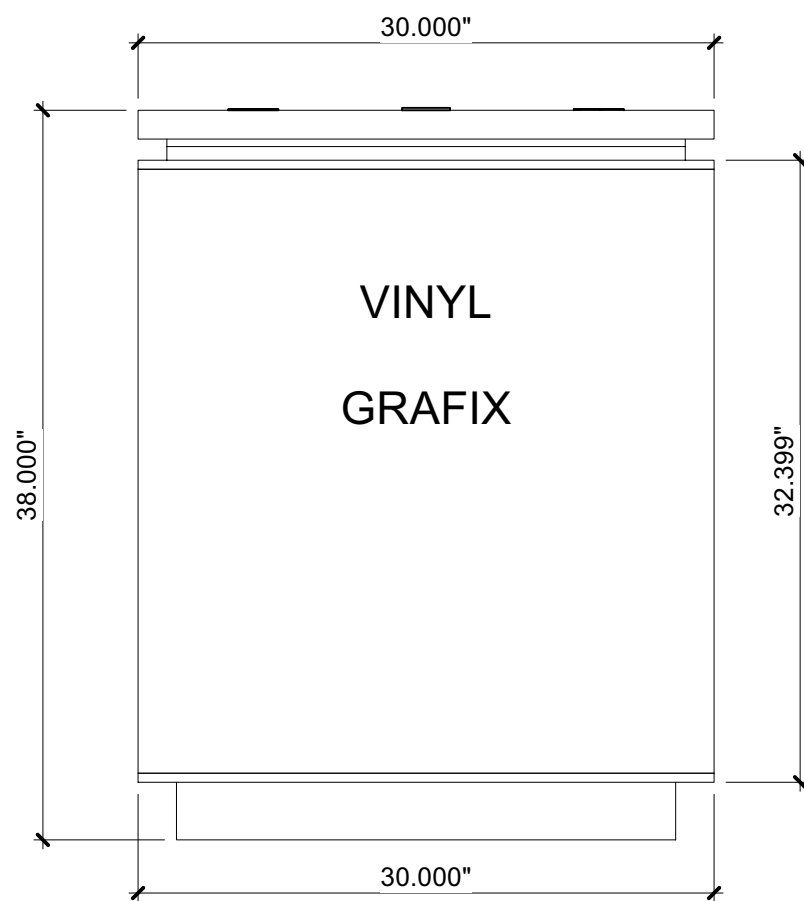
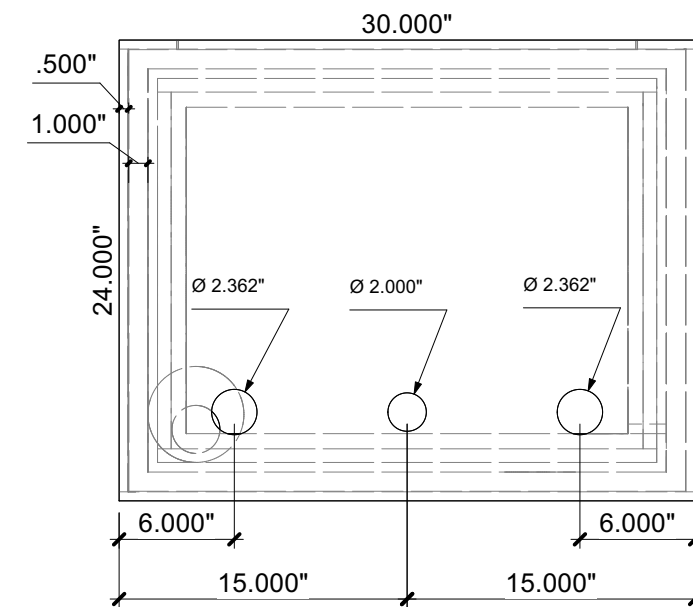
5 Right View
Scale: 1 1/2" = 1'-0"

MOD-1593

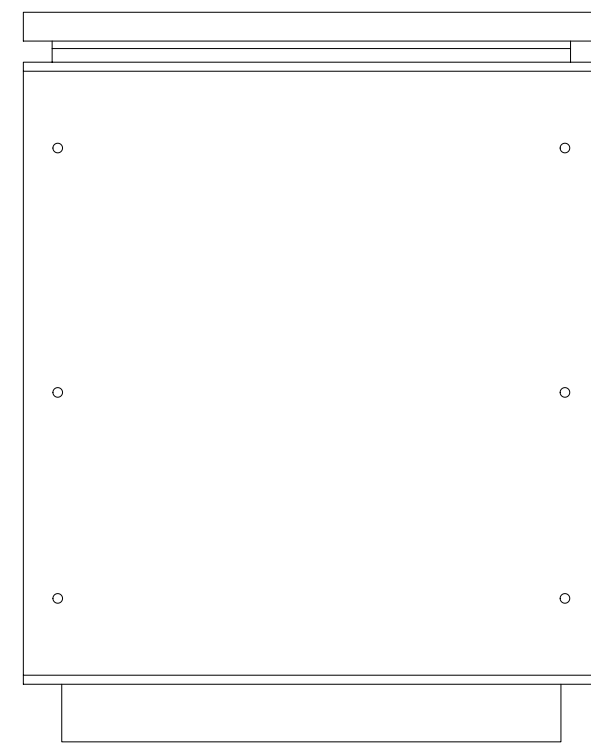
- (4) CABINETS
- (3) BOLTED TO METAL FRAME
- (1) FRONT VINYL GRAFIX



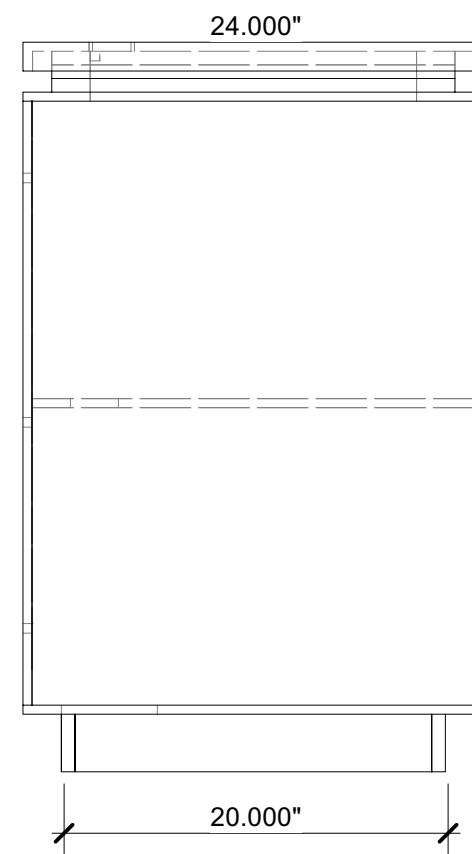
2 Top Scale: 1:10



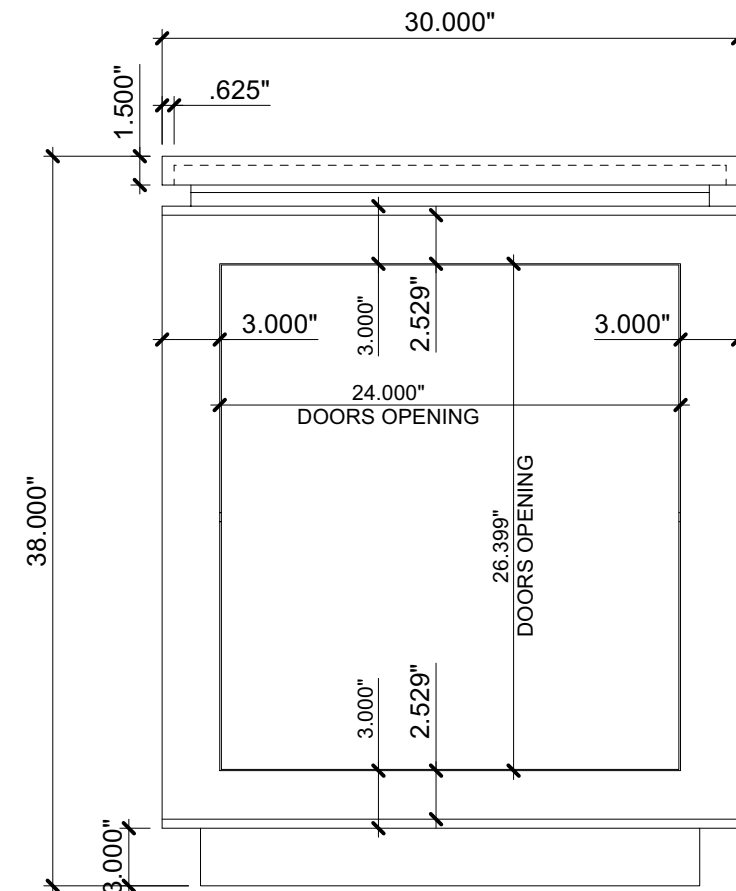
3 Front (1) Scale: 1:10



3A (3) Back of Work Counters Scale: 1:10



4 Left Scale: 1:10



5 Back / Front of Work Counters Scale: 1:10



Distributor Name: Trade Show Solutions Center

Client Name: TBD

Ph: 866.652.2100
Fx: 503.652.7084

Prepared By: K-F. PURELL

Ship Date: 2022-10-28 Plot Date: 2022-10-03

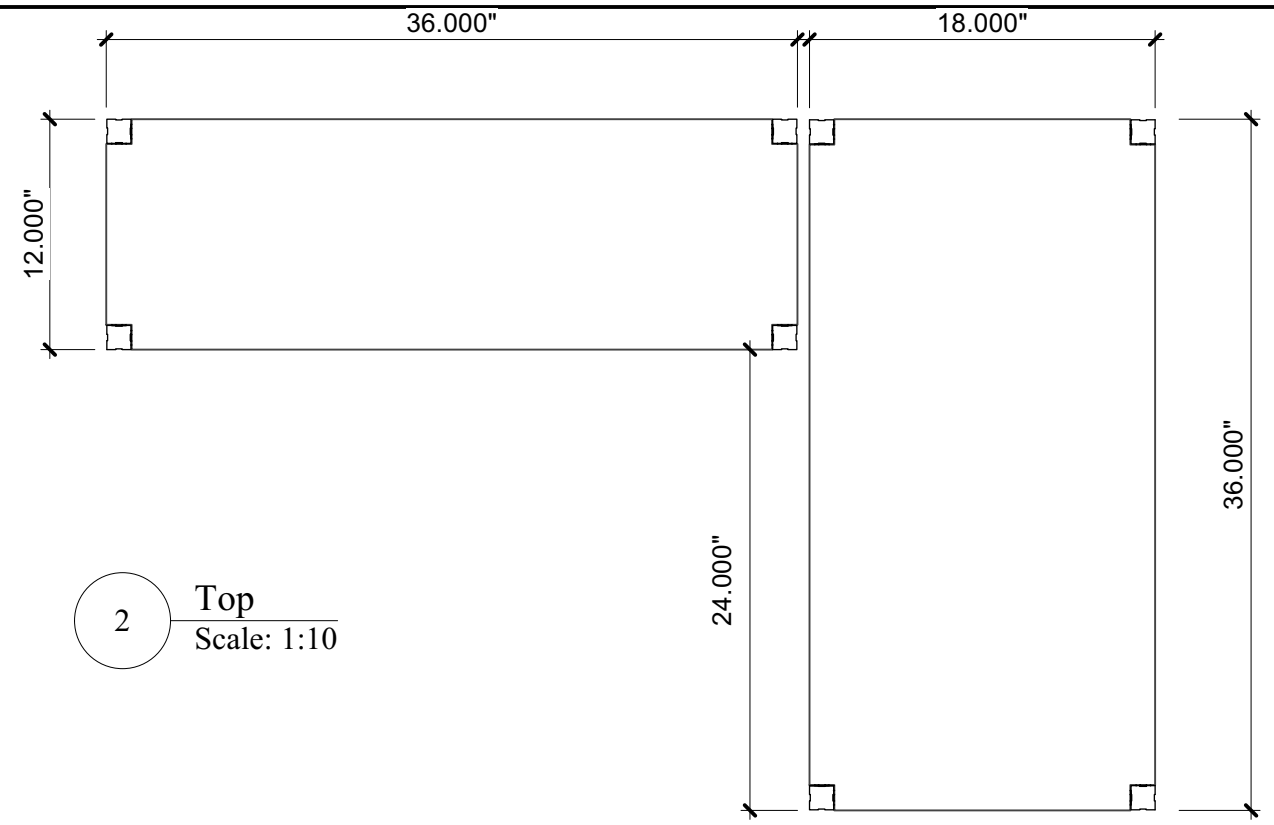
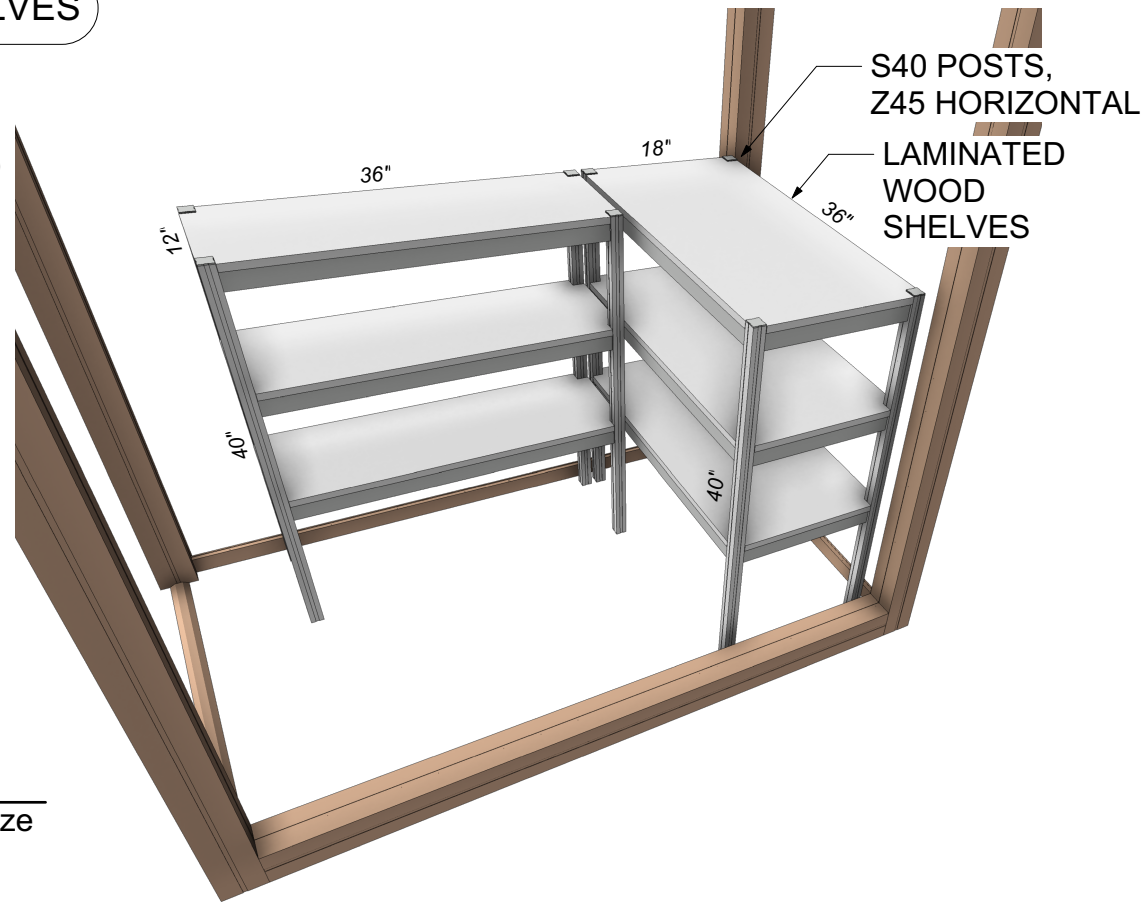
Order # 59121_Details-TSSC-VK_5091-20x20.vwx

ASME B SHEET: 9

FREE-STANDING SHELVES

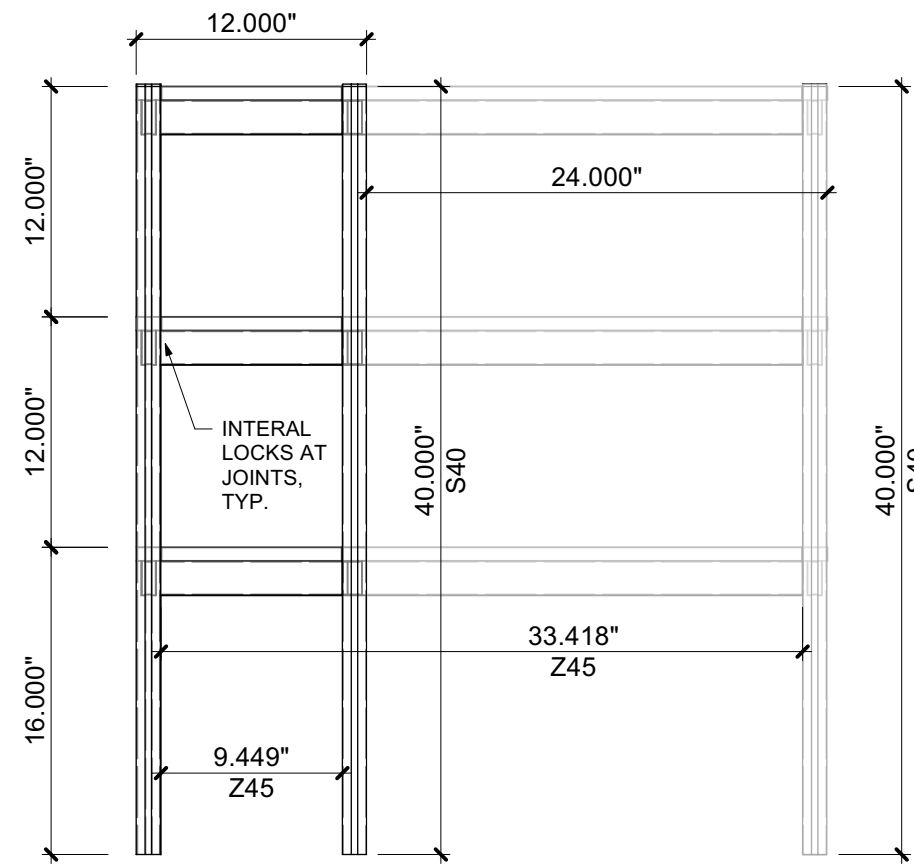
SEPARATE PARTS
 - TOGETHER L-SHAPED
 - BOARDS DROP INTO METAL FRAME

- (2) SHELVES
- (1) 36W x 12D x 40T
- (2) 36W x 18D x 40T

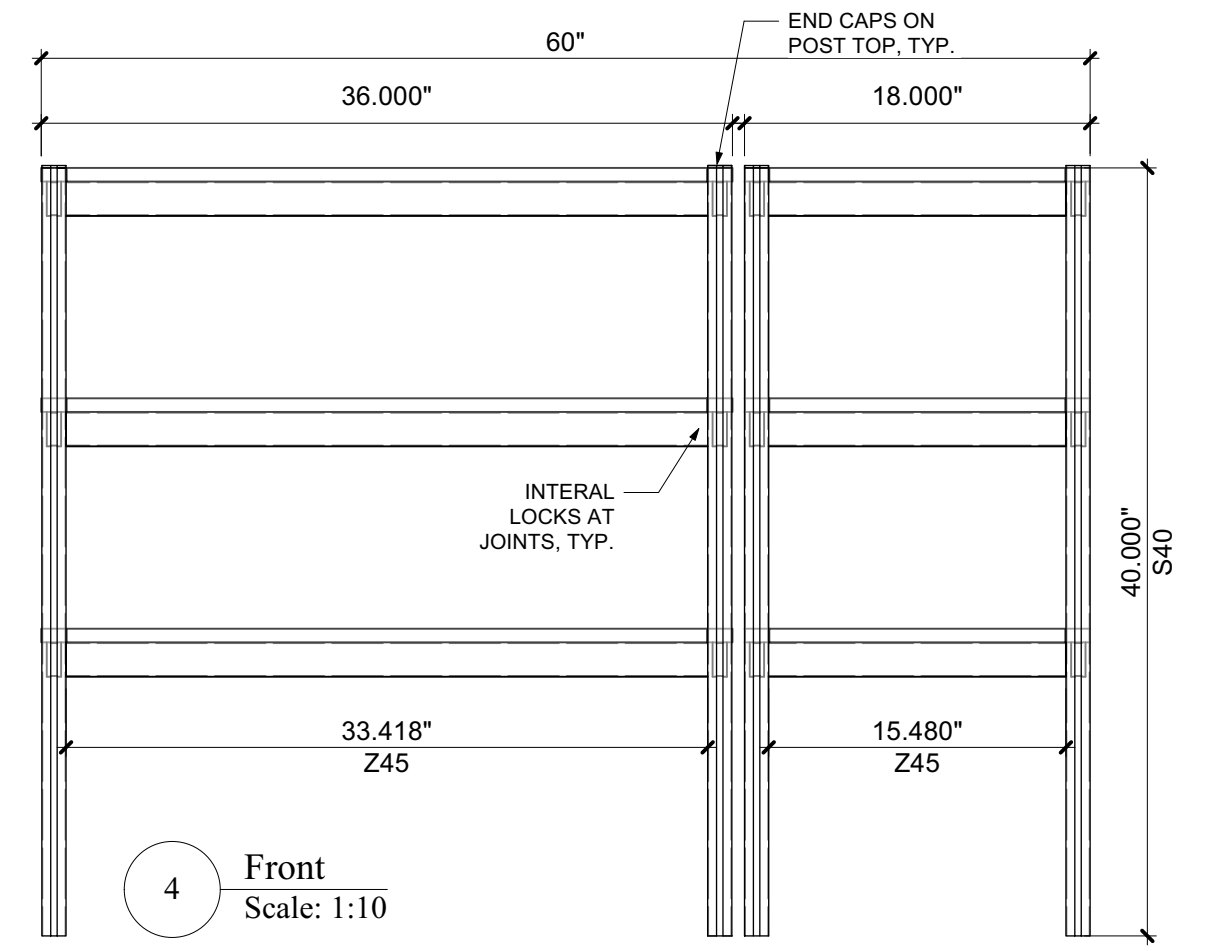


2 Top
 Scale: 1:10

1 ISO-Persp.
 Scale: Half Actual Size



3 Left
 Scale: 1:10



4 Front
 Scale: 1:10



Distributor Name: Trade Show Solutions Center

Client Name: TBD

Ph: 866.652.2100
 Fx: 503.652.7084

Prepared By: K-F. PURELL

Ship Date: 2022-10-28

Plot Date: 2022-10-03
 Order # 59121_Details-TSSC-VK_5091-20x20.vwx

ASME B SHEET: