

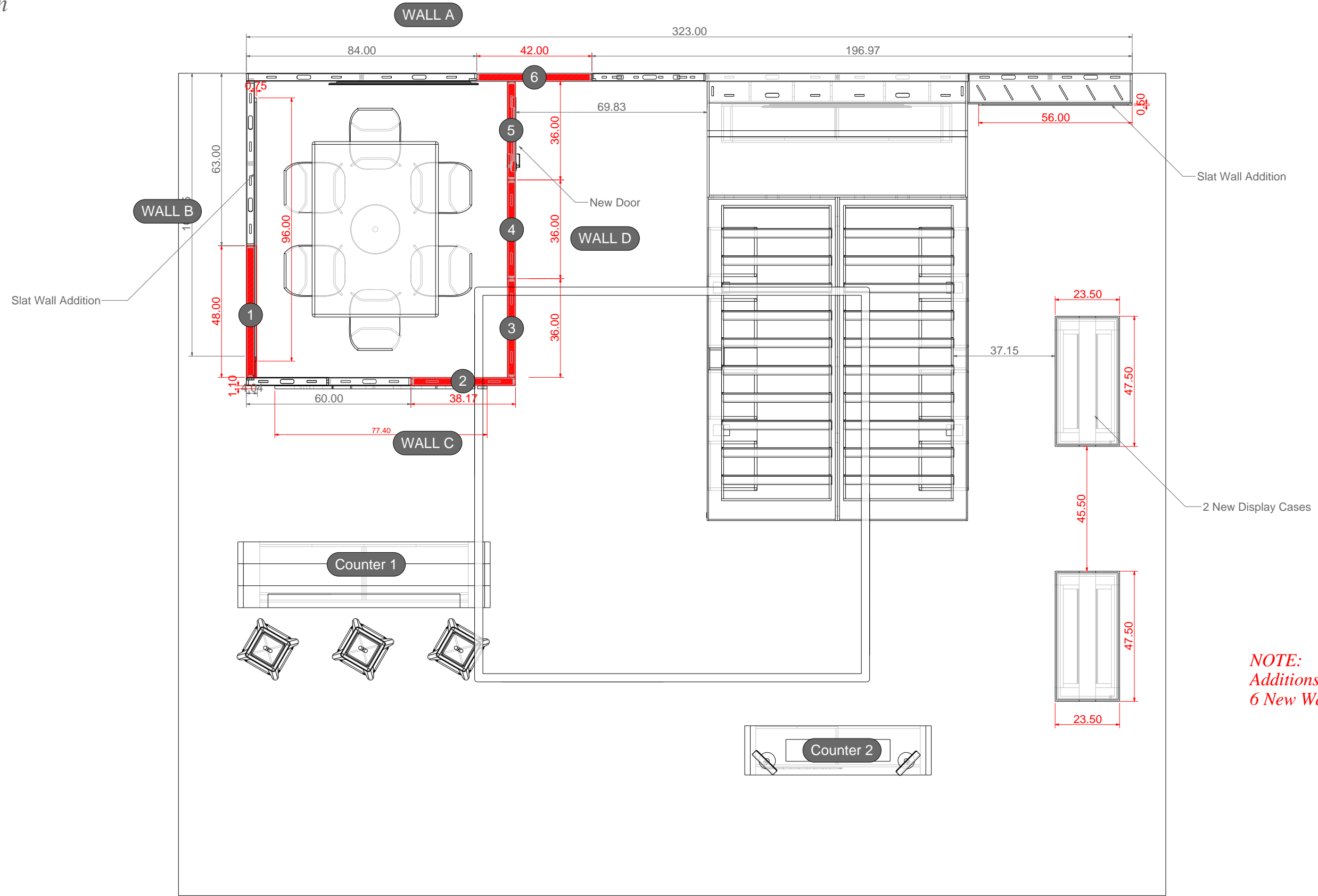
DISPLAYIT INC.  
16680 Armstrong ave.  
1.949.600.6300  
displayitinc.com

*This drawing is part of an original design submitted as part of a confidential and proprietary presentation. This drawing is copyrighted and may not be copied or reproduced in any means or manner without the expressed written approval of Displayit Inc. All rights of this drawing in whatever form it may appear, shall remain the exclusive and sole property of Displayit Inc. and copyright protection is claimed for all other forms of copyrightable material and information now allowed by statutory or common law or hereinafter granted.*

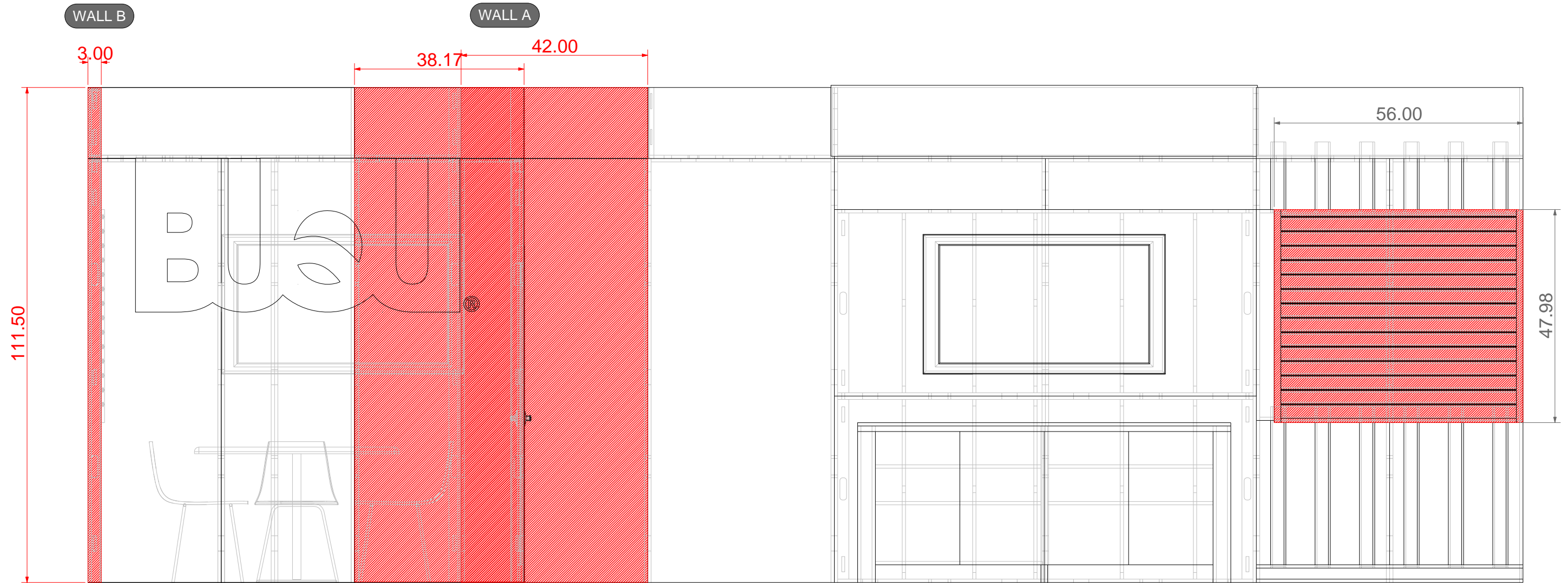
APPROVED BY:

Client:

Floorplan



**NOTE:**  
 Additions Dimensioned in Red  
 6 New Walls Total



**NOTE:**  
Additions Dimensioned in Red

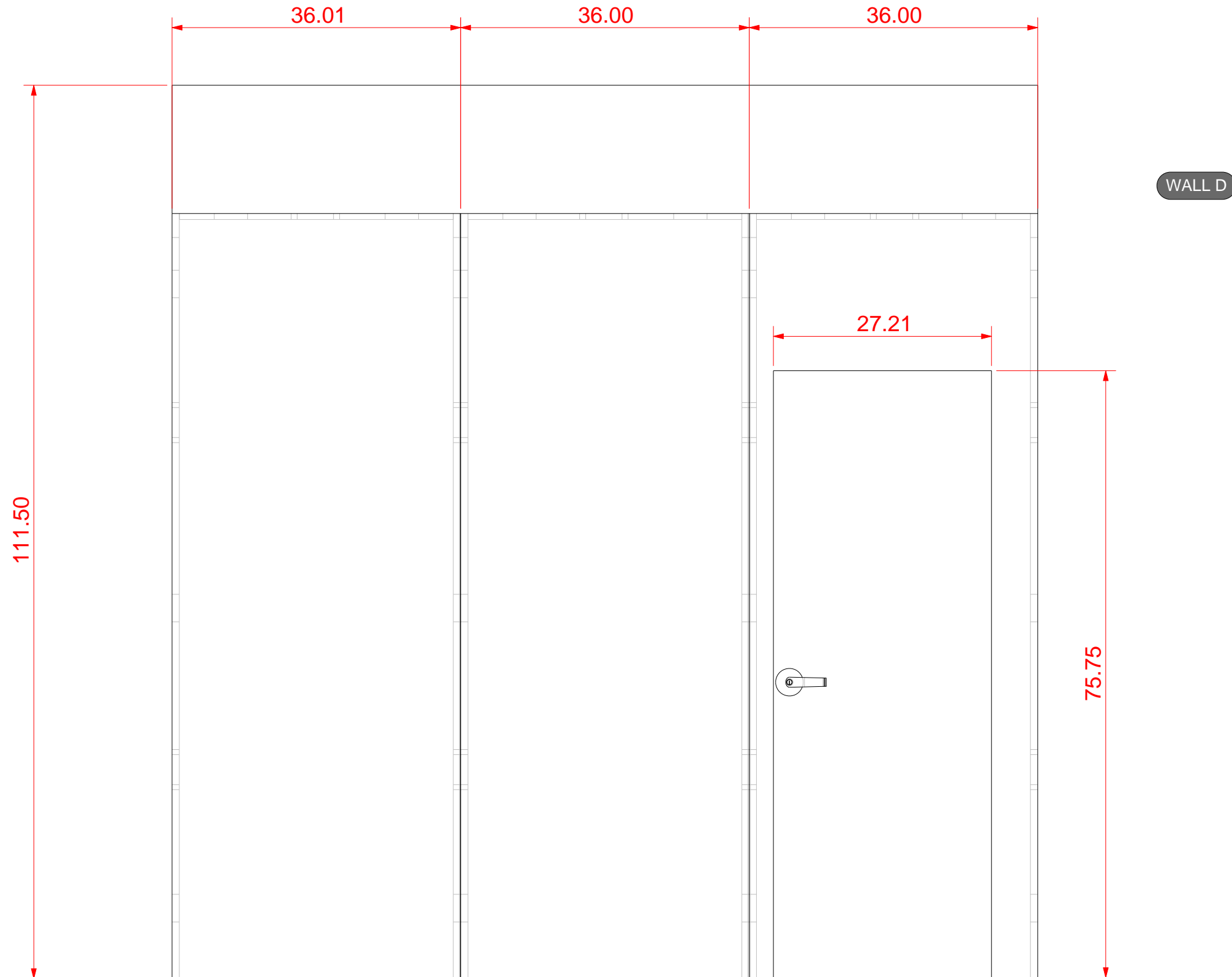


DISPLAYIT INC.  
16680 Armstrong ave.  
1.949.600.6300  
displayitinc.com

This drawing is part of an original design submitted as part of a confidential and proprietary presentation. This drawing is copyrighted and may not be copied or reproduced in any means or manner without the expressed written approval of Displayit Inc. All rights of this drawing in whatever form it may appear, shall remain the exclusive and sole property of Displayit Inc. and copyright protection is claimed for all other forms of copyrightable material and information now allowed by statutory or common law or hereinafter granted.

APPROVED BY:

Client:



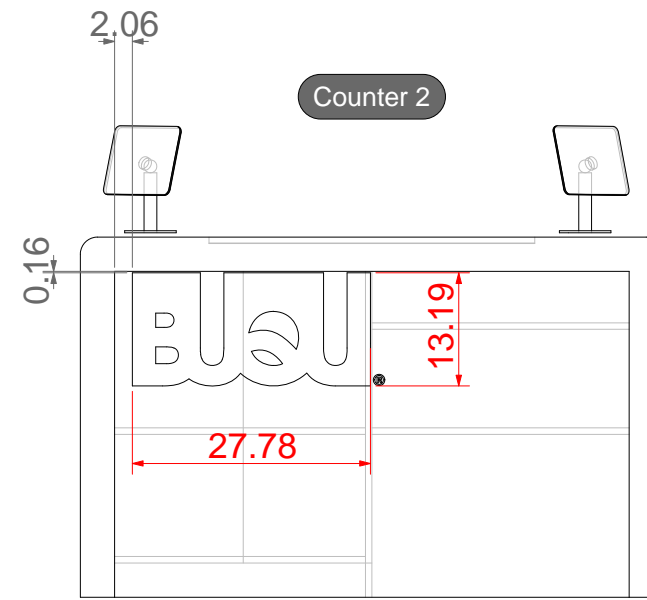
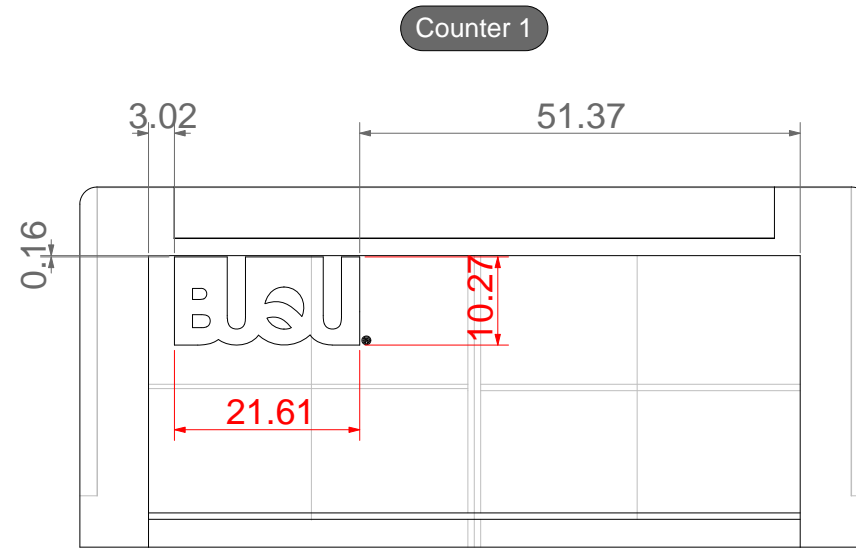
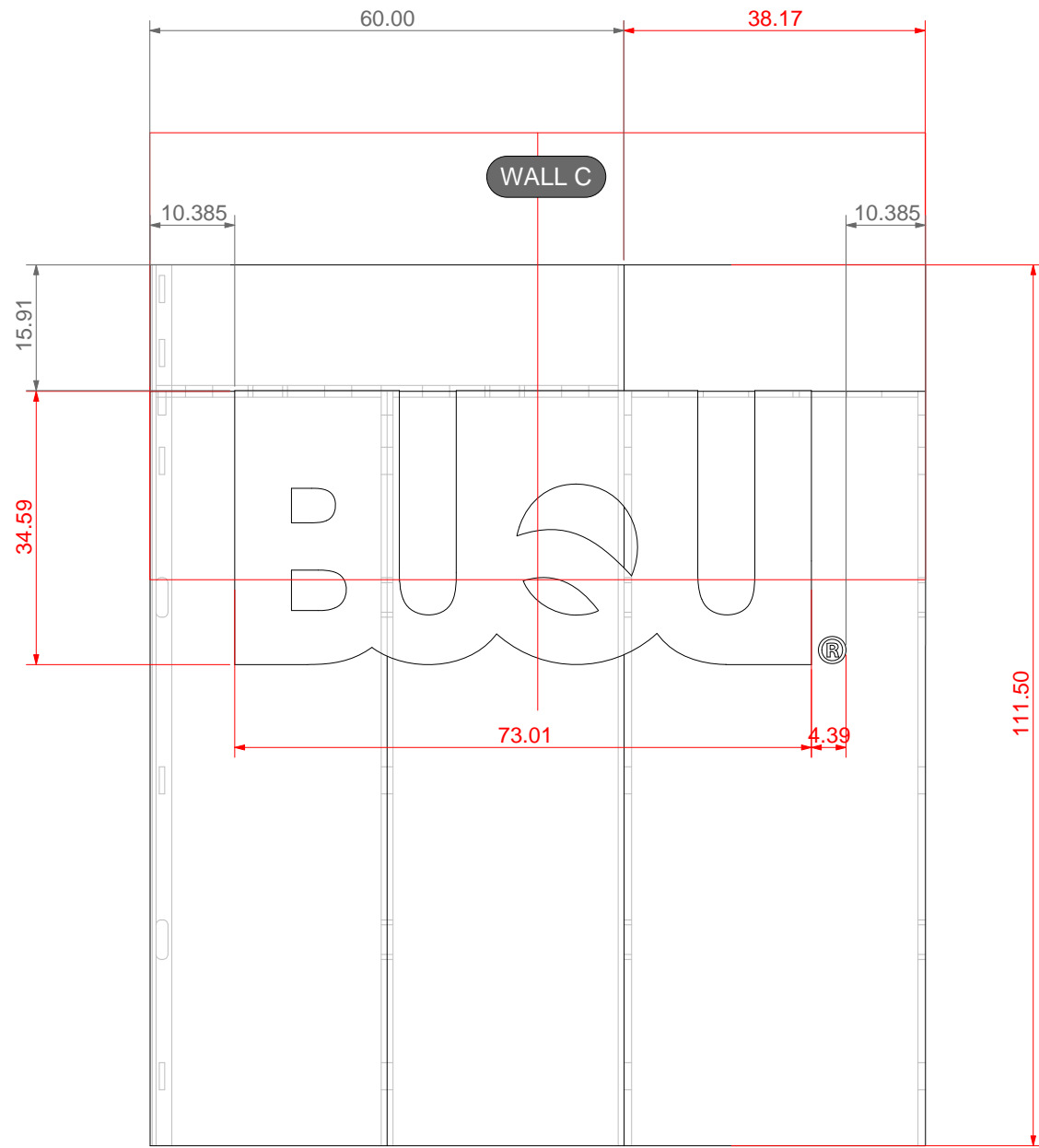
DISPLAYIT INC.  
16680 Armstrong ave.  
1.949.600.6300  
displayitinc.com

*This drawing is part of an original design submitted as part of a confidential and proprietary presentation. This drawing is copyrighted and may not be copied or reproduced in any means or manner without the expressed written approval of Displayit Inc. All rights of this drawing in whatever form it may appear, shall remain the exclusive and sole property of Displayit Inc. and copyright protection is claimed for all other forms of copyrightable material and information now allowed by statutory or common law or hereinafter granted.*

APPROVED BY:

Client:

Branding Signage



--	
----	--

Revisions (Y/N):

MATERIAL

01	3/4" White MDF
02	Vinyl Wrap
03	White Slatwall
04	1/4" Clear Acrylic

FINISH

F-1	White Paint - Smooth Finish
-----	-----------------------------



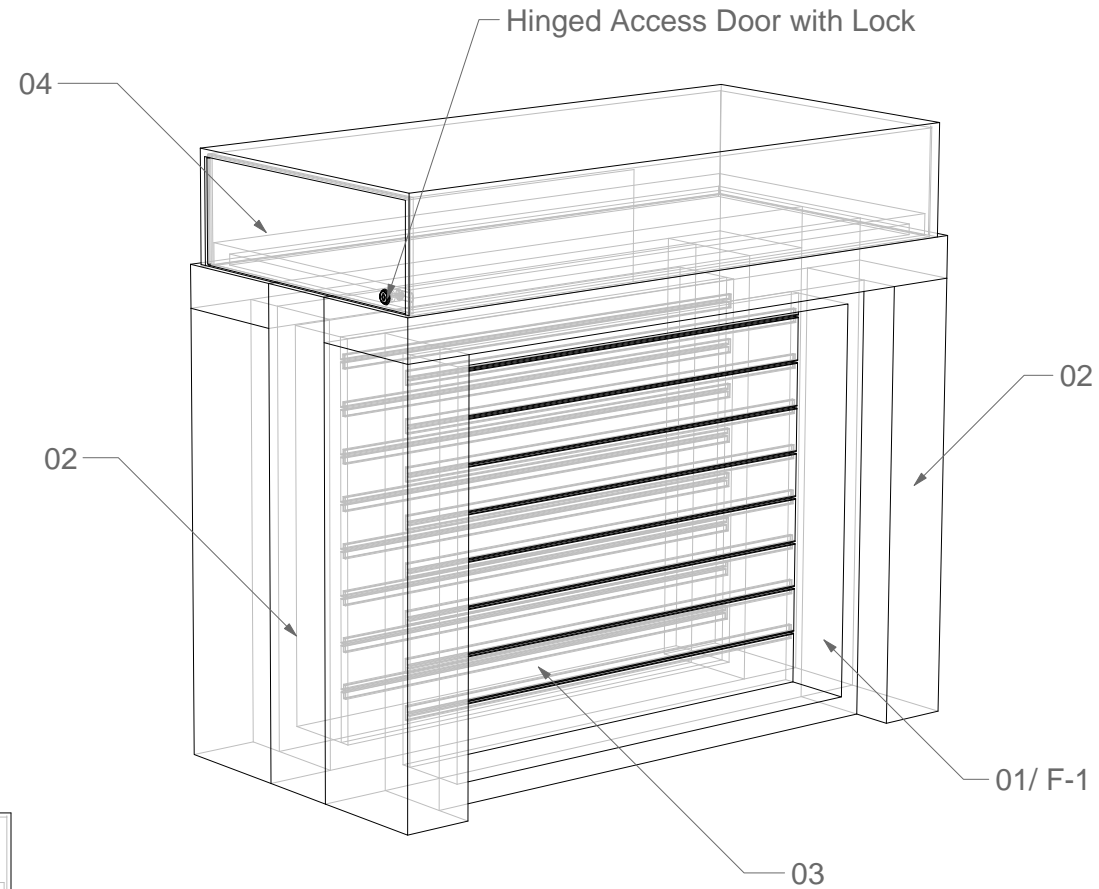
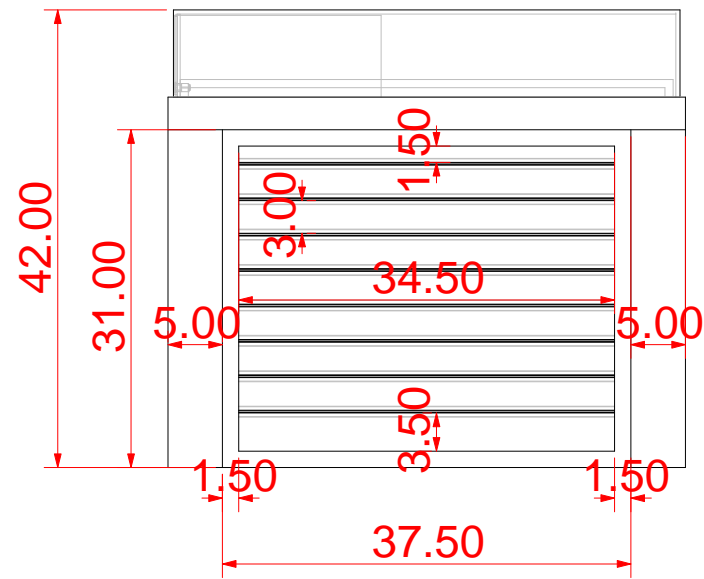
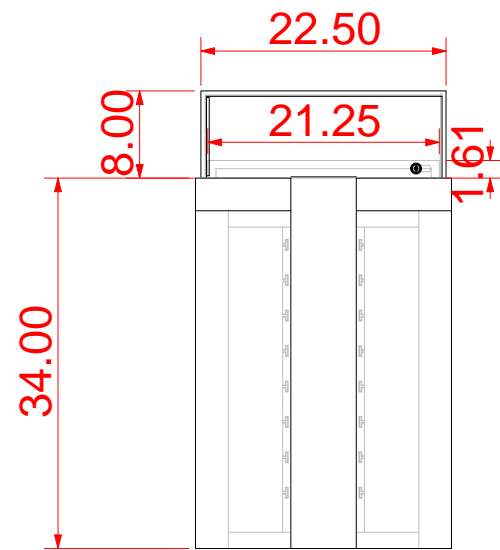
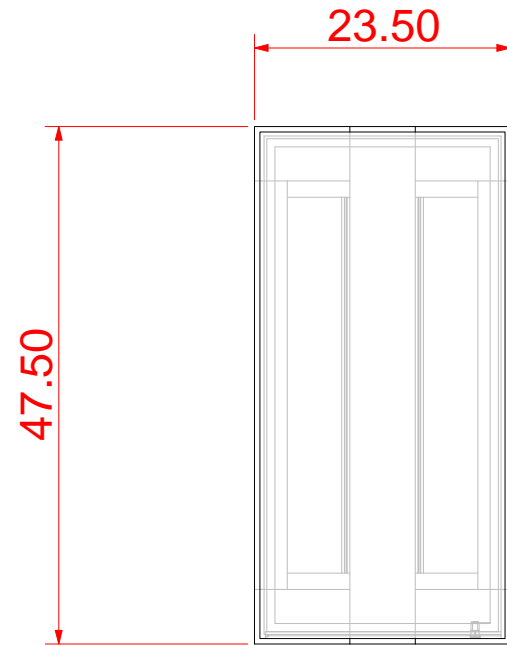
DISPLAYIT INC.  
16680 Armstrong ave.  
1.949.600.6300  
displayitinc.com

This drawing is part of an original design submitted as part of a confidential and proprietary presentation. This drawing is copyrighted and may not be copied or reproduced in any means or manner without the expressed written approval of Displayit Inc. All rights of this drawing in whatever form it may appear, shall remain the exclusive and sole property of Displayit Inc. and copyright protection is claimed for all other forms of copyrightable material and information now allowed by statutory or common law or hereinafter granted.

APPROVED BY:

Client:

Display Cases



--	
----	--

Revisions (Y/N):

MATERIAL

01	3/4" White MDF
02	Vinyl Wrap
03	White Slatwall
04	1/4" Clear Acrylic

FINISH

F-1	White Paint - Smooth Finish
-----	-----------------------------



DISPLAYIT INC.  
16680 Armstrong ave.  
1.949.600.6300  
displayitinc.com

This drawing is part of an original design submitted as part of a confidential and proprietary presentation. This drawing is copyrighted and may not be copied or reproduced in any means or manner without the expressed written approval of Displayit Inc. All rights of this drawing in whatever form it may appear, shall remain the exclusive and sole property of Displayit Inc. and copyright protection is claimed for all other forms of copyrightable material and information now allowed by statutory or common law or hereinafter granted.

APPROVED BY:

Client: