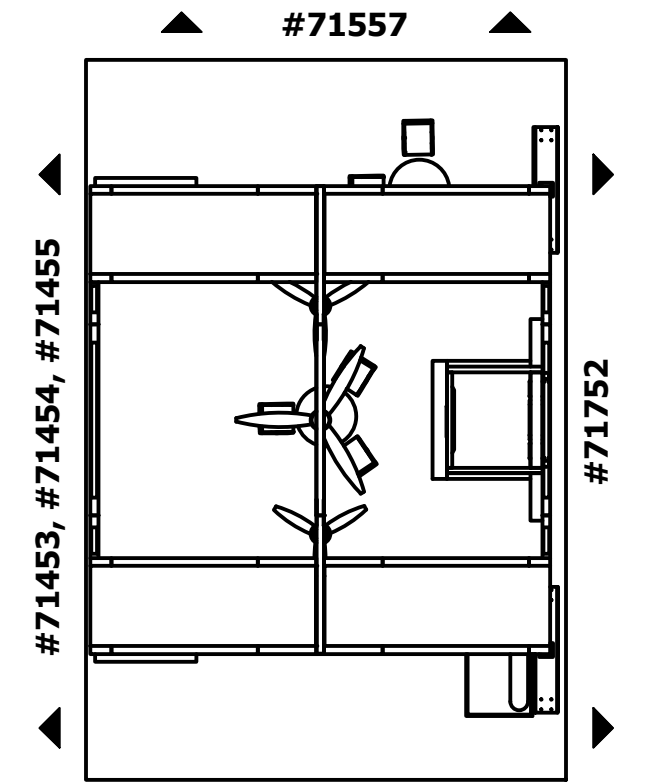
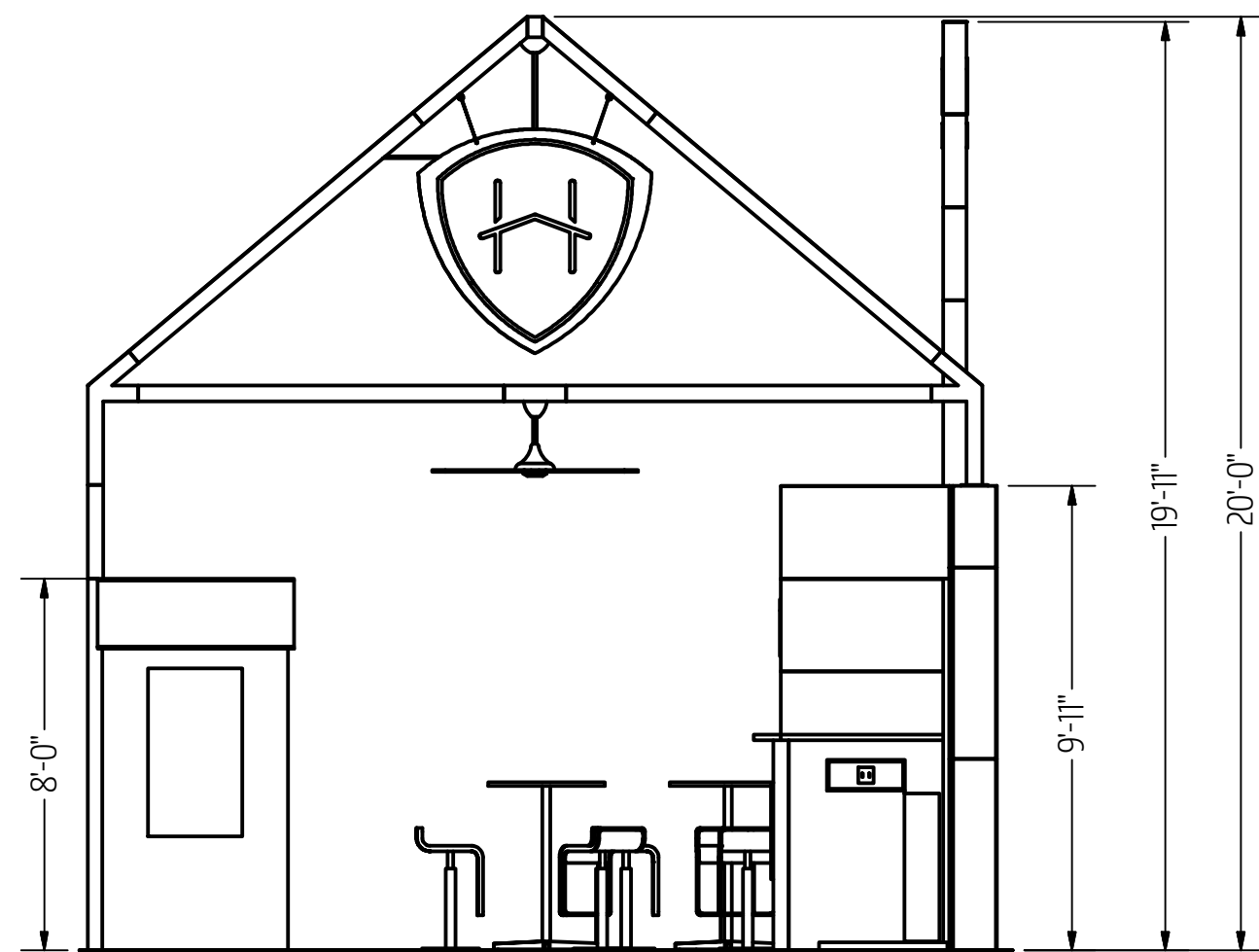


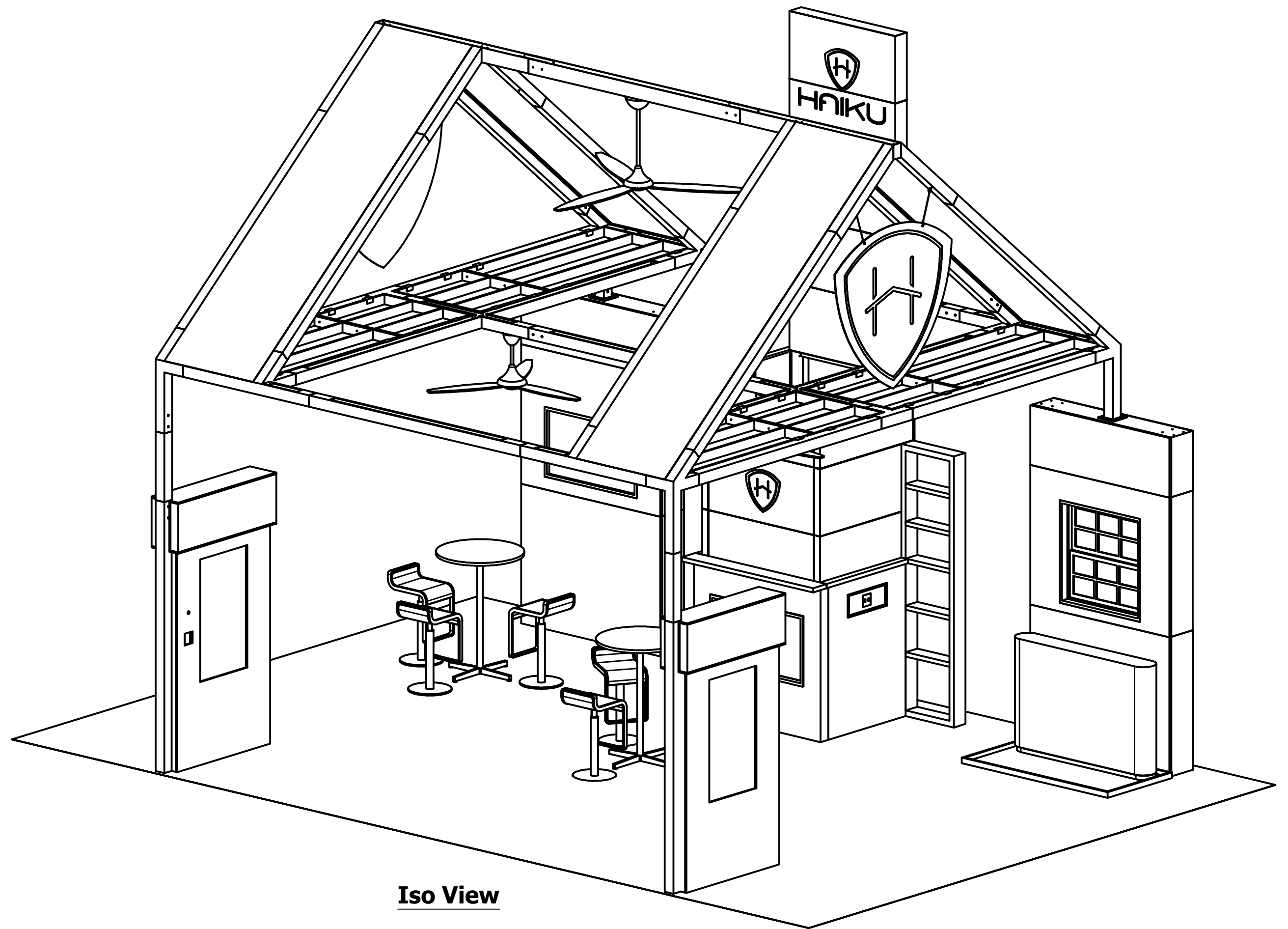
Plan View
SCALE: 1/4"=1'-0"



Hall Plan
SCALE: 1/8"=1'-0"



Front Elevation
SCALE: 1/4"=1'-0"



Iso View

Big Ass Fans

! PAGE TITLE: Cover

! SHOW: CES 2016

! LOCATION: Las Vegas, NV | DATES: 1/6-9/16

! BOOTH #: 71553

! JOB #: M-15-01308

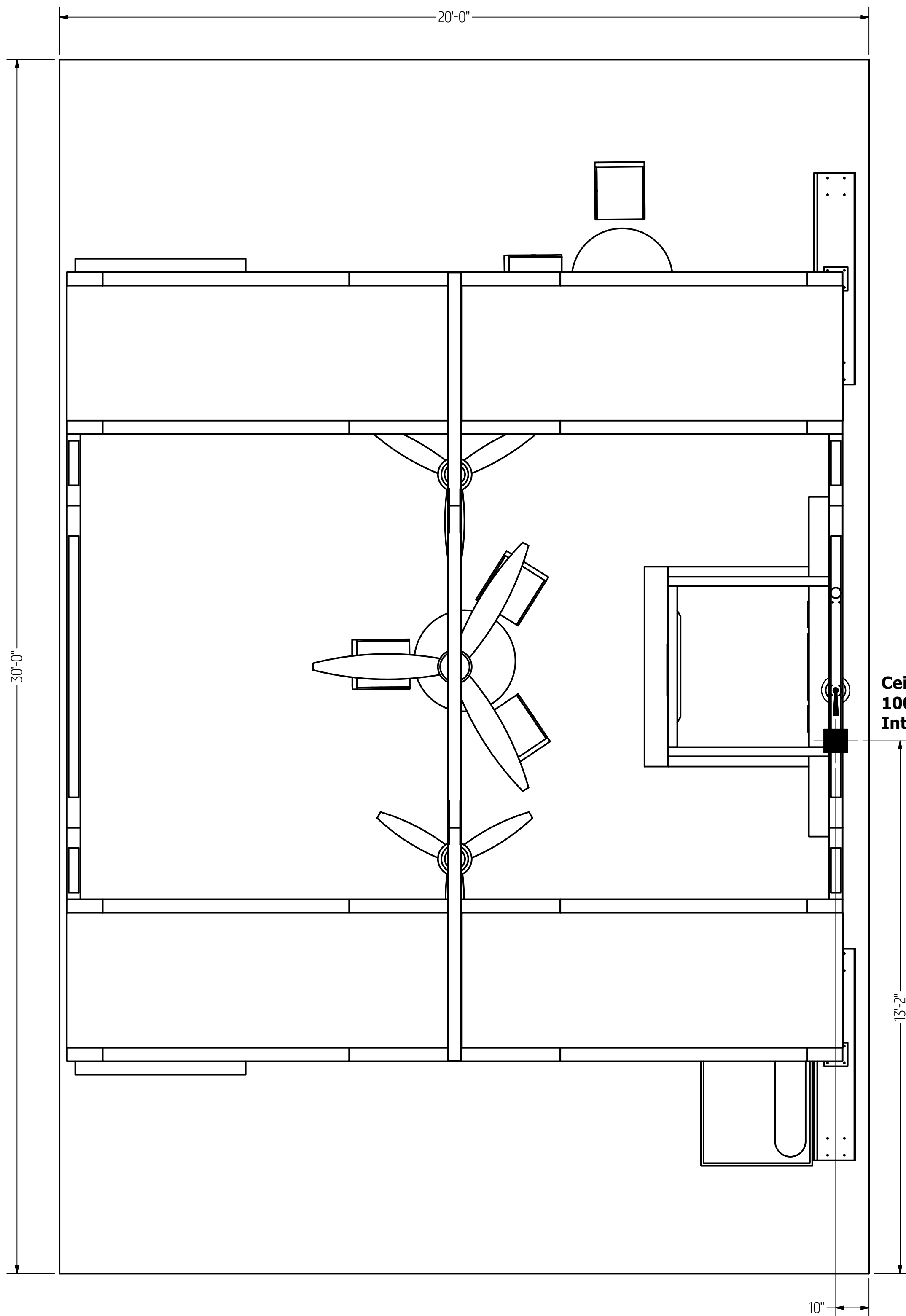
! PM: ML

! DRAWN BY: CA

All designs and ideas embodied herein are the creative property of MG Design Associates Corp. They may not be reproduced in any manner without the expressed written approval of MG Design Associates Corp.

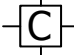

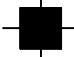





MG Design Associates Corp. | 8778- 100th Street | Pleasant Prairie, WI 53158

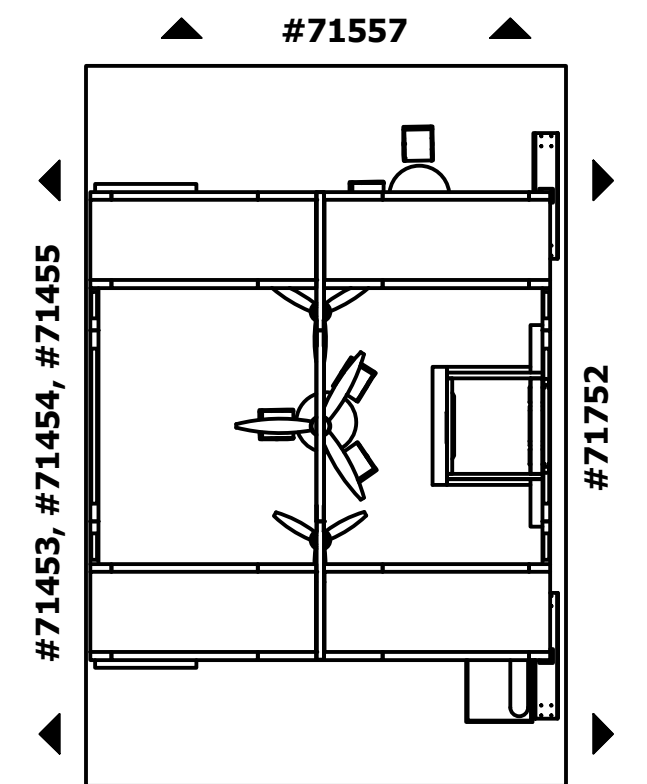




Plan View - Electrical
SCALE: 1/2"=1'-0"

Electrical Legend

-  Main Electric From Ceiling
-  1/2" Water Line (Potable)
-  Main Electric From Floor
-  Secondary Electric Fed From Main Electric
-  Phone Line
-  Internet
-  Extension Cord Under Carpet
-  Cat 5 Cord Under Carpet



Hall Plan
SCALE: 1/8"=1'-0"

Ceiling Drop
100 Amps/
Internet (w/ 25 I.P. Addresses)

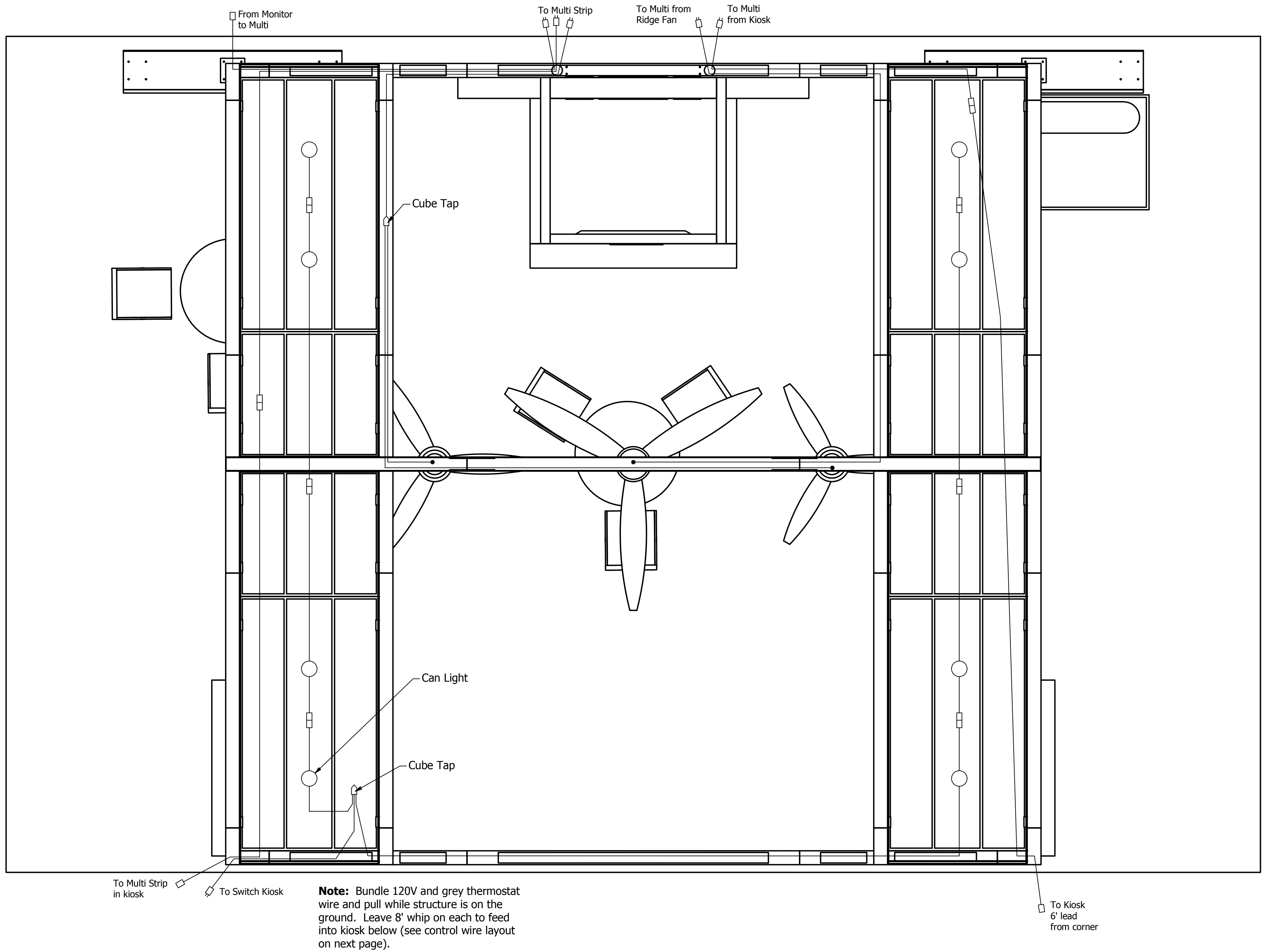
Note: Internet and Electric to be fed from closet below.

Big Ass Fans

| PAGE TITLE: ELECTRICAL | JOB #: M-15-01308
 | SHOW: CES 2016 | BOOTH #: 71553 | PM: ML
 | LOCATION: Las Vegas, NV | DATES: 1/6-9/16 | DRAWN BY: CA

All designs and ideas embodied herein are the creative property of MG Design Associates Corp. They may not be reproduced in any manner without the expressed written approval of MG Design Associates Corp.
 MG Design Associates Corp. | 8778- 100th Street | Pleasant Prairie, WI 53158





Plan View - Structure Electrical
 SCALE: 5/8"=1'-0"

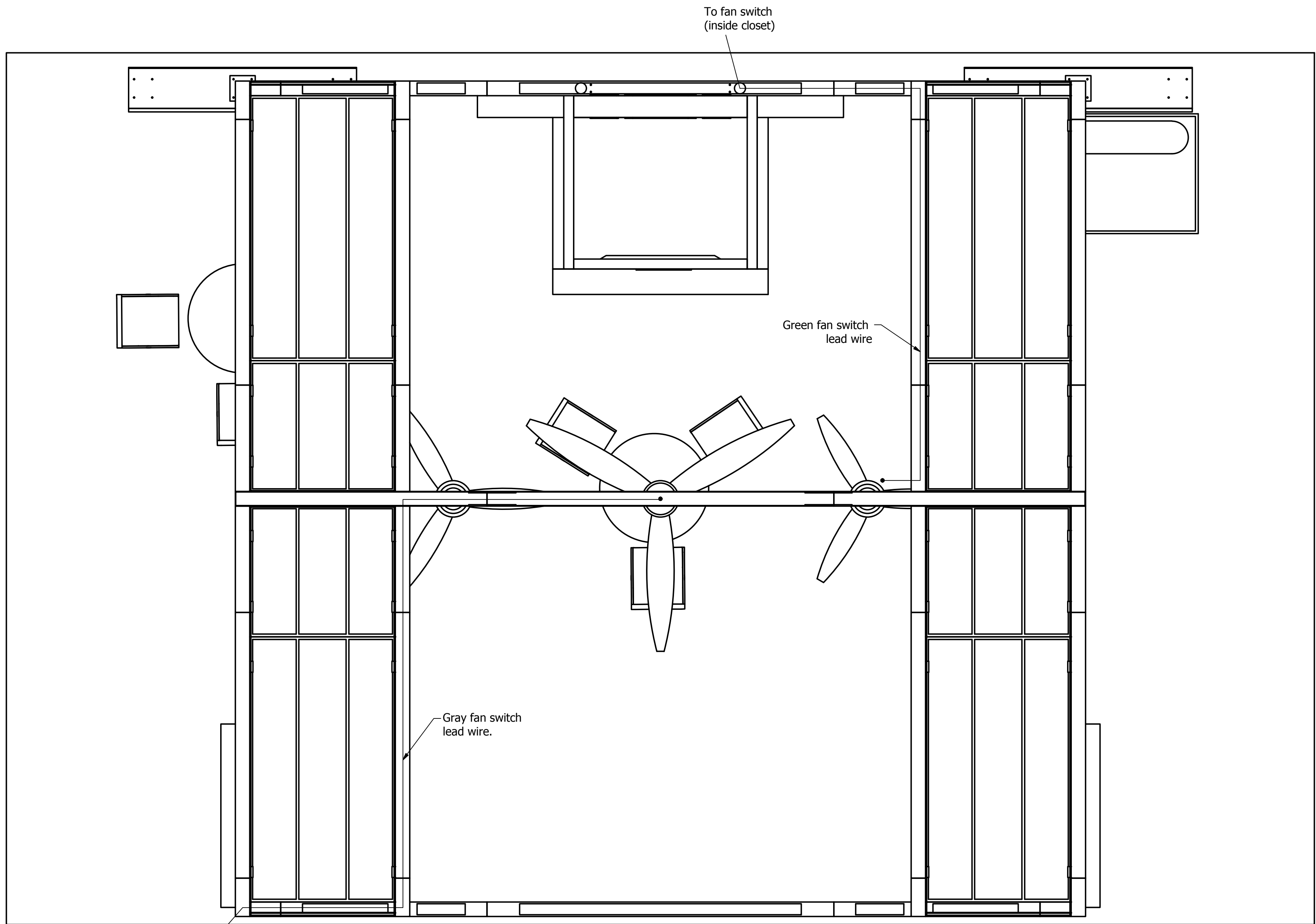
Big Ass Fans

| PAGE TITLE: Structure Electrical
 | SHOW: CES 2016 | BOOTH #: 71553
 | LOCATION: Las Vegas, NV | DATES: 1/6-9/16

| JOB #: M-15-01308
 | PM: ML
 | DRAWN BY: CA

All designs and ideas embodied herein are the creative property of MG Design Associates Corp. They may not be reproduced in any manner without the expressed written approval of MG Design Associates Corp.
 MG Design Associates Corp. | 8778-100th Street | Pleasant Prairie, WI 53158





From ridge fan
to kiosk thermostat

Note: Bundle 120V and grey thermostat wire and pull while structure is on the ground. Leave 8' whip on each to feed into kiosk below (see structure electrical on previous page).

Plan View - Control Wire Layout

SCALE: 5/8"=1'-0"

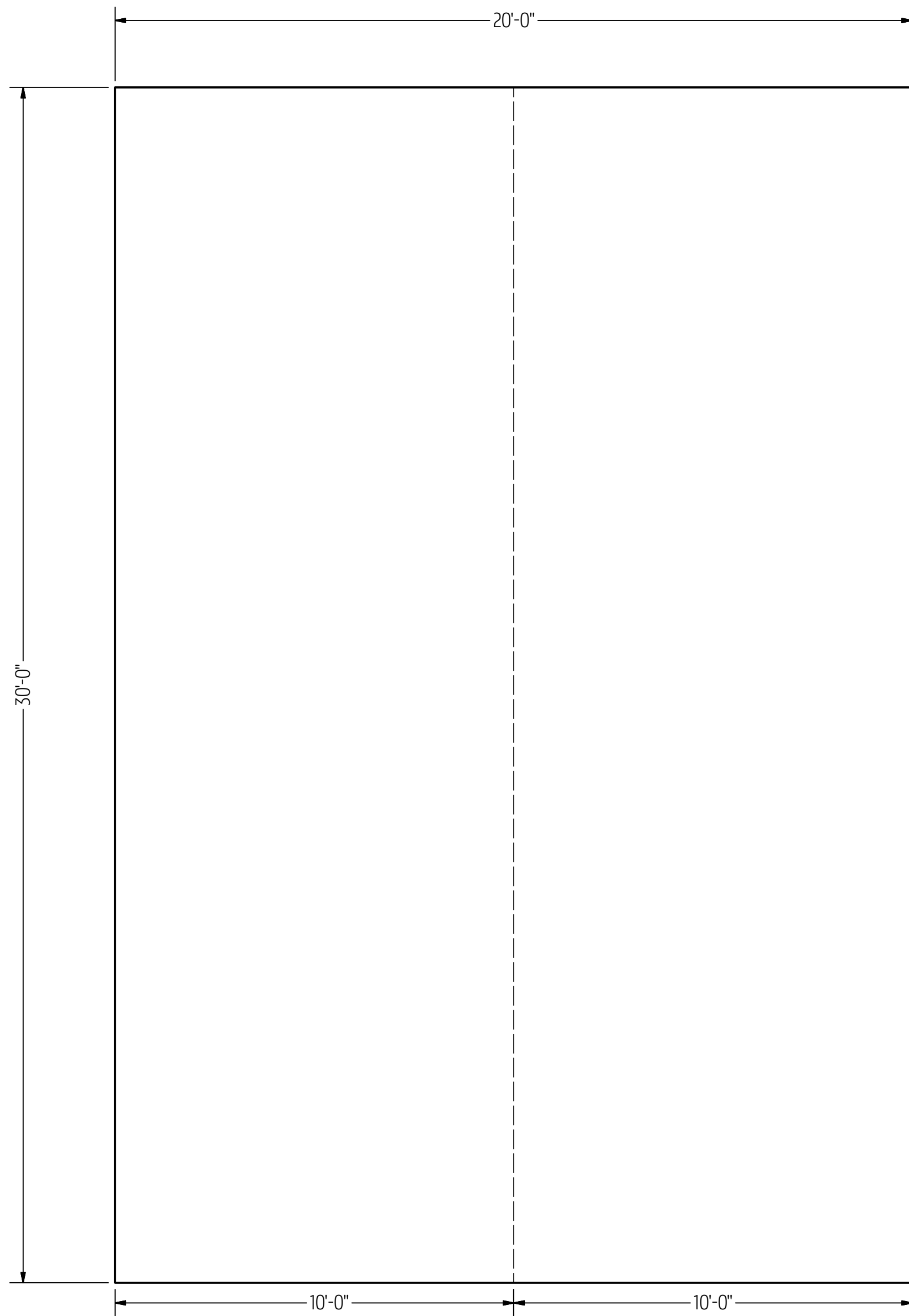
Big Ass Fans

| PAGE TITLE: Control Wire Layout
 | SHOW: CES 2016 | BOOTH #: 71553
 | LOCATION: Las Vegas, NV | DATES: 1/6-9/16

| JOB #: M-15-01308
 | PM: ML
 | DRAWN BY: CA

All designs and ideas embodied herein are the creative property of MG Design Associates Corp. They may not be reproduced in any manner without the expressed written approval of MG Design Associates Corp.
 MG Design Associates Corp. | 8778-100th Street | Pleasant Prairie, WI 53158

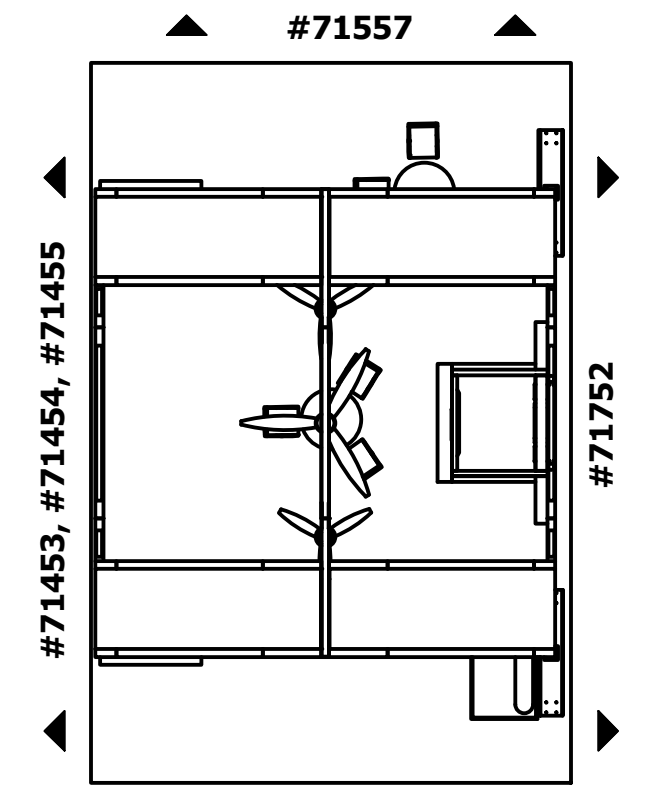




Plan View - Floor
SCALE: 3/8"=1'-0"

Brumark Vinyl Floor
w/ Ultra Step Pad.

Note: No cords under
flooring.



Hall Plan
SCALE: 1/8"=1'-0"

Big Ass Fans

| PAGE TITLE: Vinyl Floor

| SHOW: CES 2016

| LOCATION: Las Vegas, NV | DATES: 1/6-9/16

| BOOTH #: 71553

| JOB #: M-15-01308

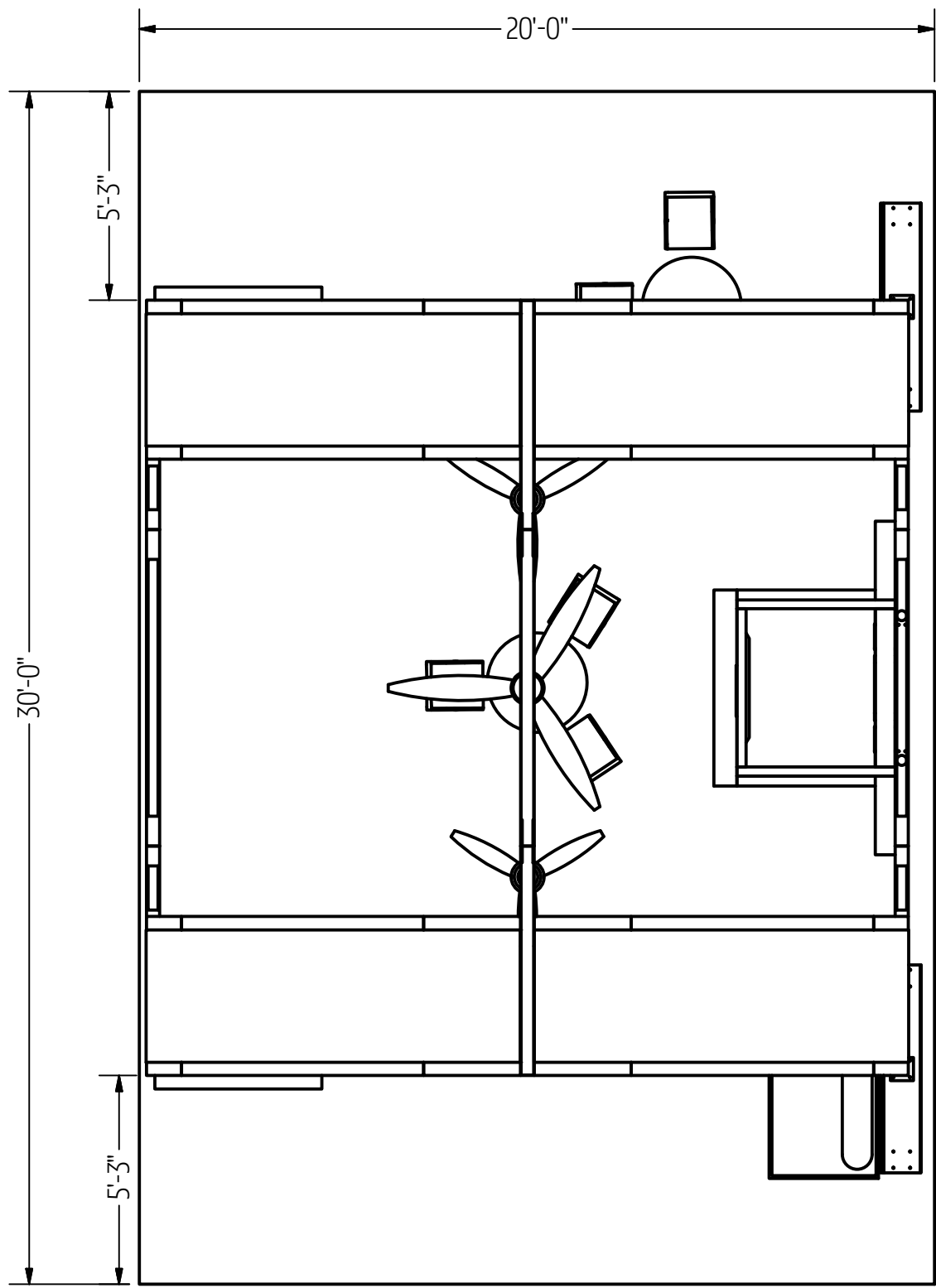
| PM: ML

| DRAWN BY: CA

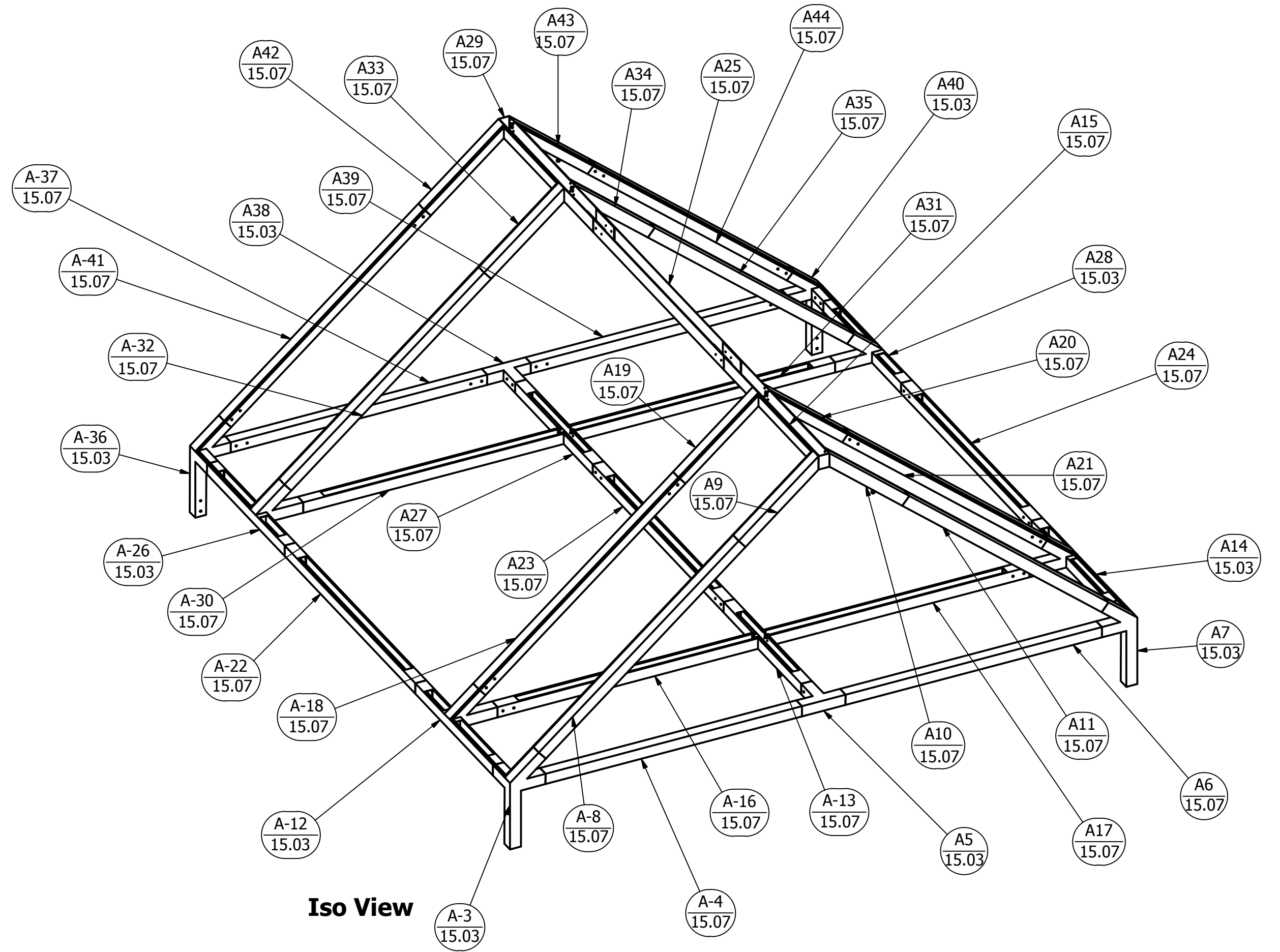
All designs and ideas embodied herein are the creative property of MG Design Associates Corp. They may not be reproduced in any manner without the expressed written approval of MG Design Associates Corp.



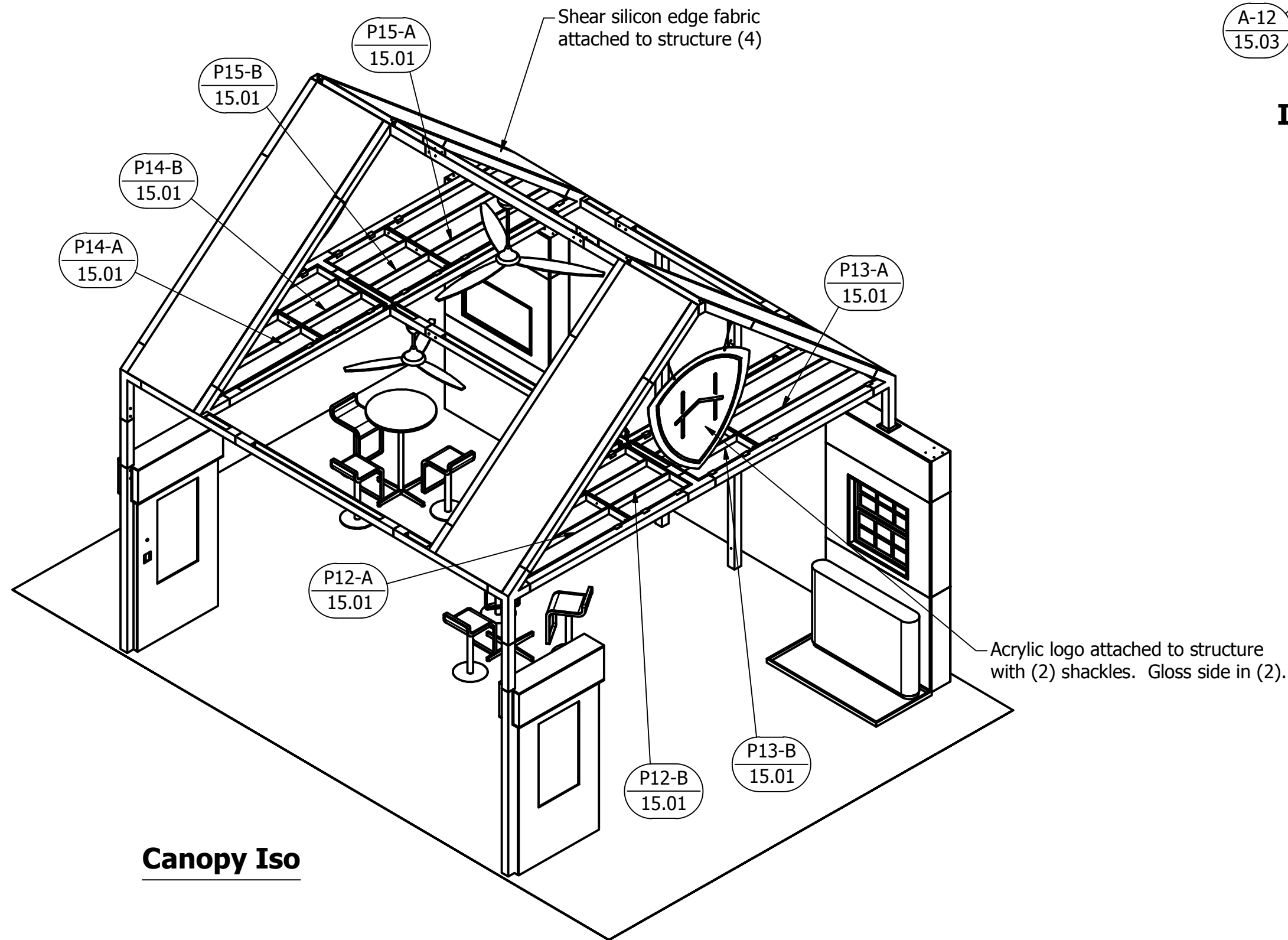
MG Design Associates Corp. | 8778- 100th Street | Pleasant Prairie, WI 53158



Plan View - House Structure and Canopies
SCALE: 1/4"=1'-0"



Iso View



Canopy Iso

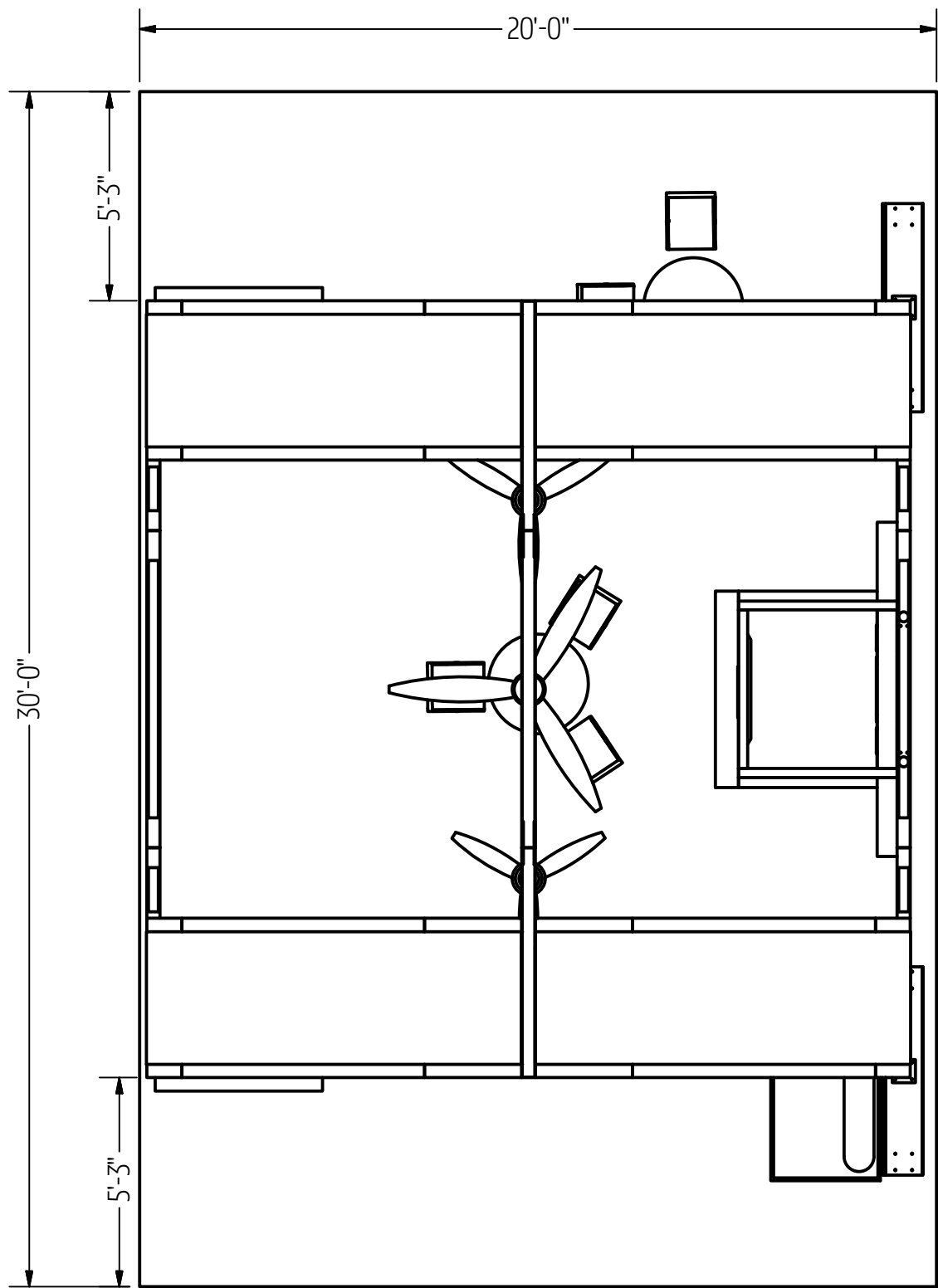
Big Ass Fans

PAGE TITLE: House Structure - Upper Roof
SHOW: CES 2016
LOCATION: Las Vegas, NV
BOOTH #: 71553
DATES: 1/6-9/16

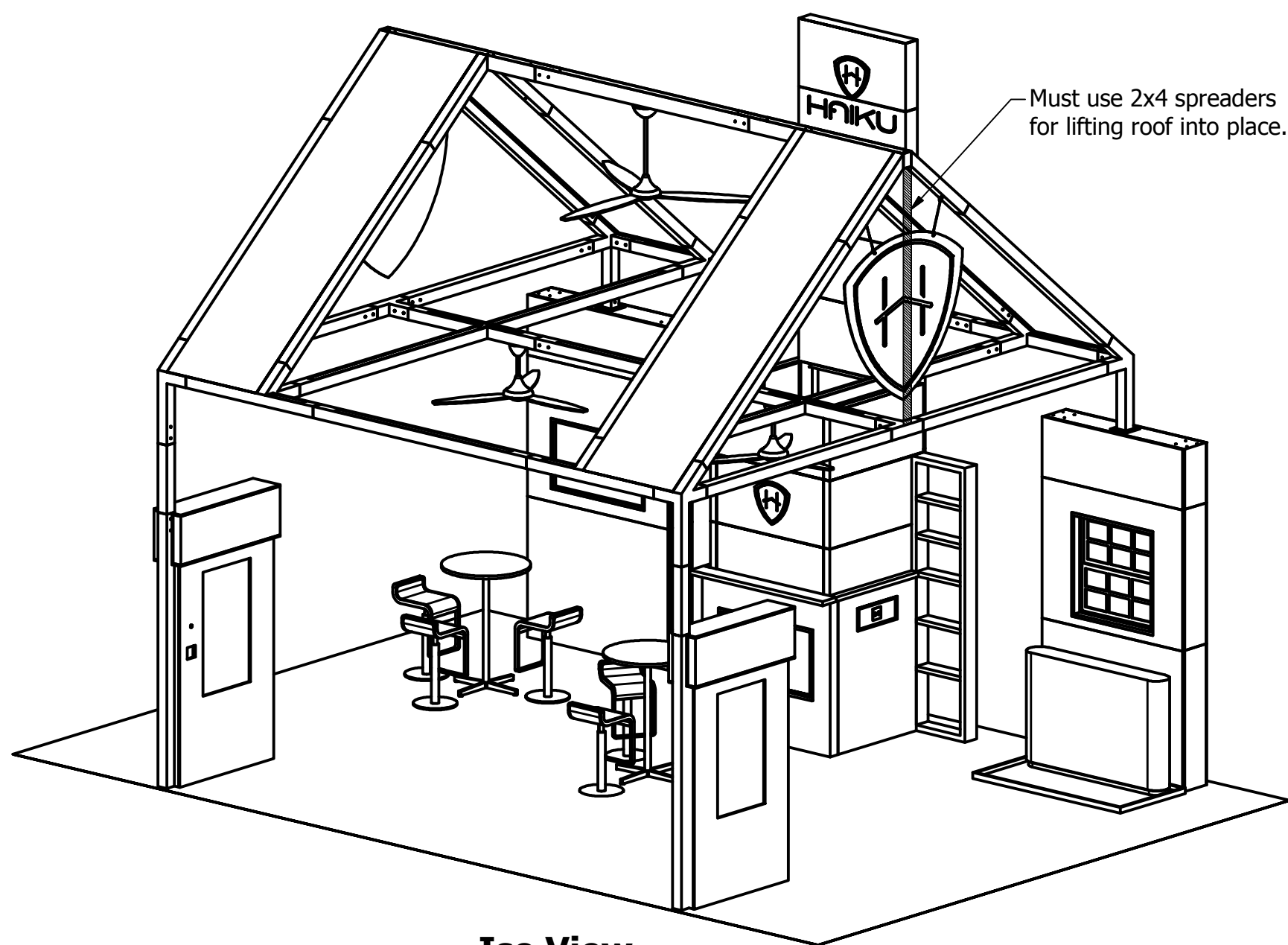
JOB #: M-15-01308
PM: ML
DRAWN BY: CA

All designs and ideas embodied herein are the creative property of MG Design Associates Corp. They may not be reproduced in any manner without the expressed written approval of MG Design Associates Corp.
MG Design Associates Corp. | 8778-100th Street | Pleasant Prairie, WI 53158

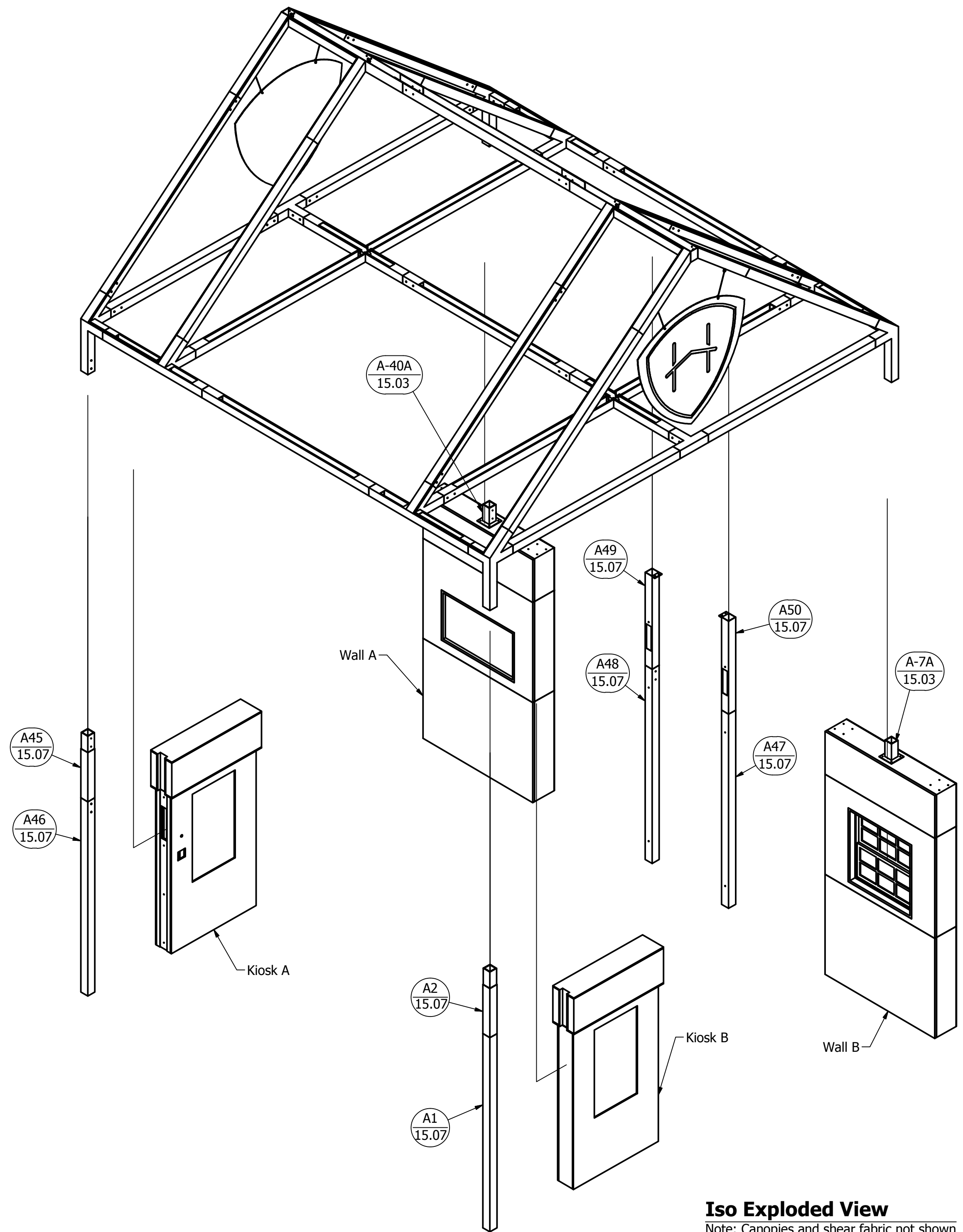




Plan View - House Structure and Canopies
SCALE: 1/4"=1'-0"



Iso View



Iso Exploded View
Note: Canopies and shear fabric not shown

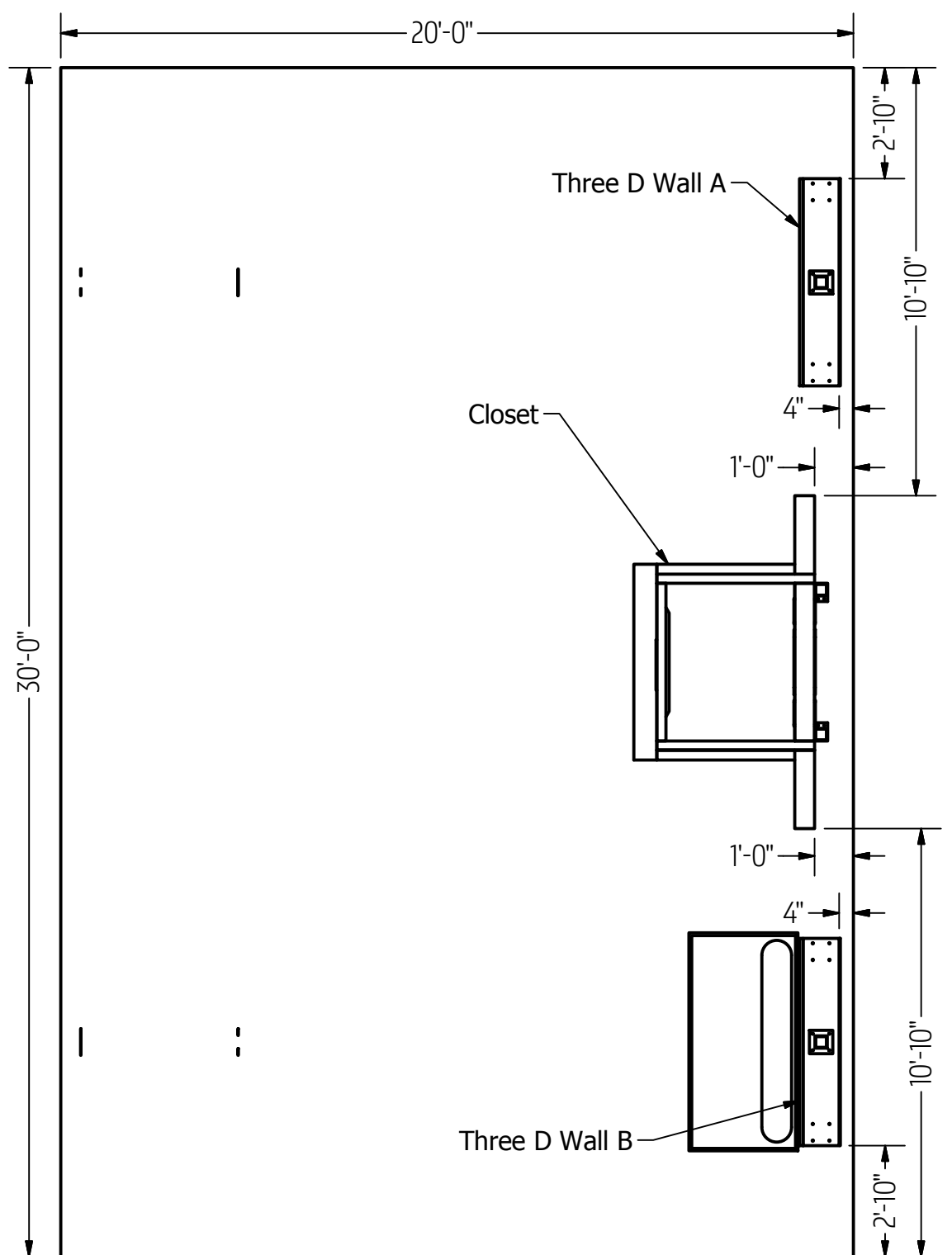
Big Ass Fans

PAGE TITLE: House Frame Structure
SHOW: CES 2016 | BOOTH #: 71553
LOCATION: Las Vegas, NV | DATES: 1/6-9/16

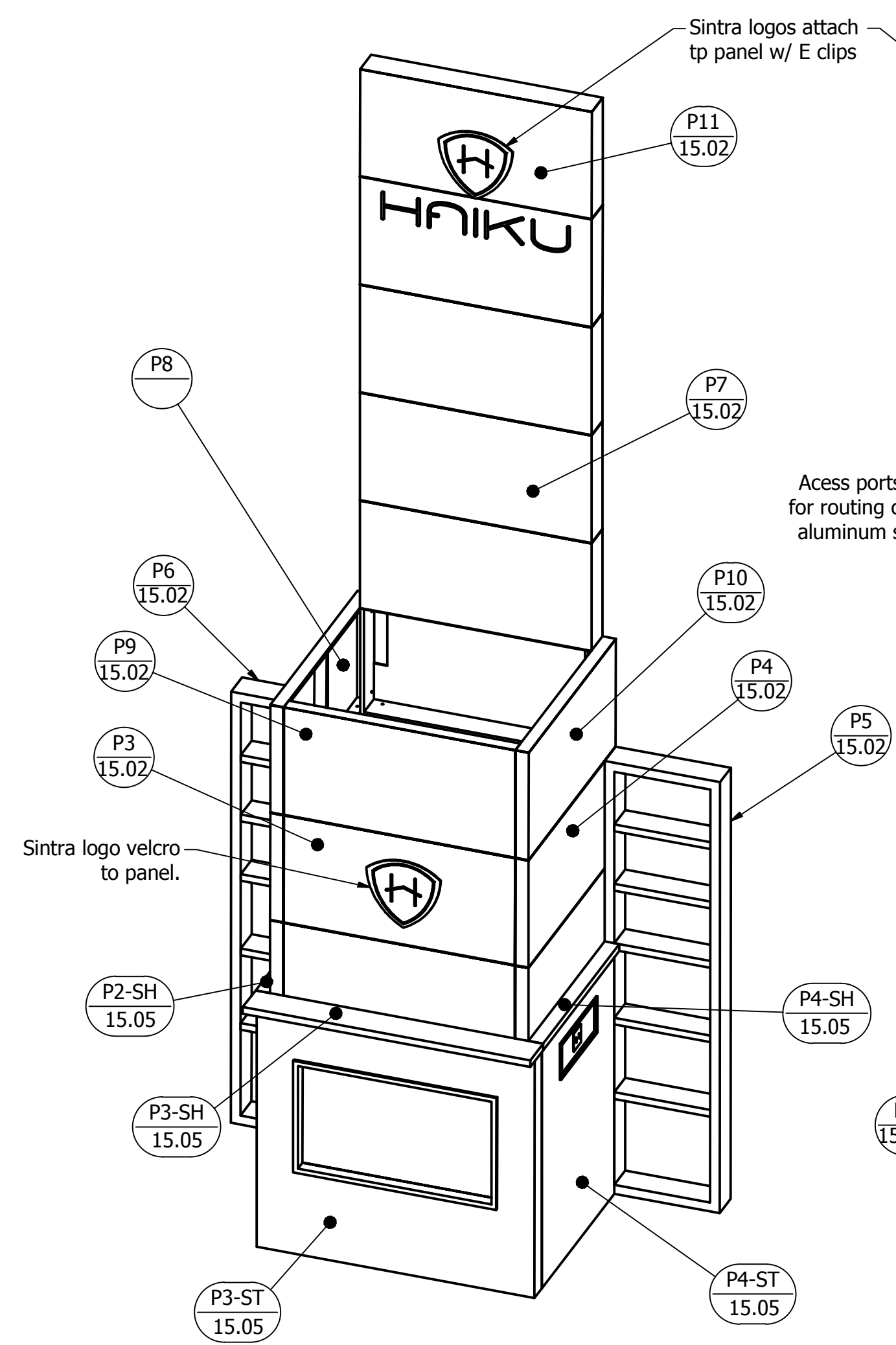
JOB #: M-15-01308
PM: ML
DRAWN BY: CA

All designs and ideas embodied herein are the creative property of MG Design Associates Corp. They may not be reproduced in any manner without the expressed written approval of MG Design Associates Corp.
MG Design Associates Corp. | 8778-100th Street | Pleasant Prairie, WI 53158

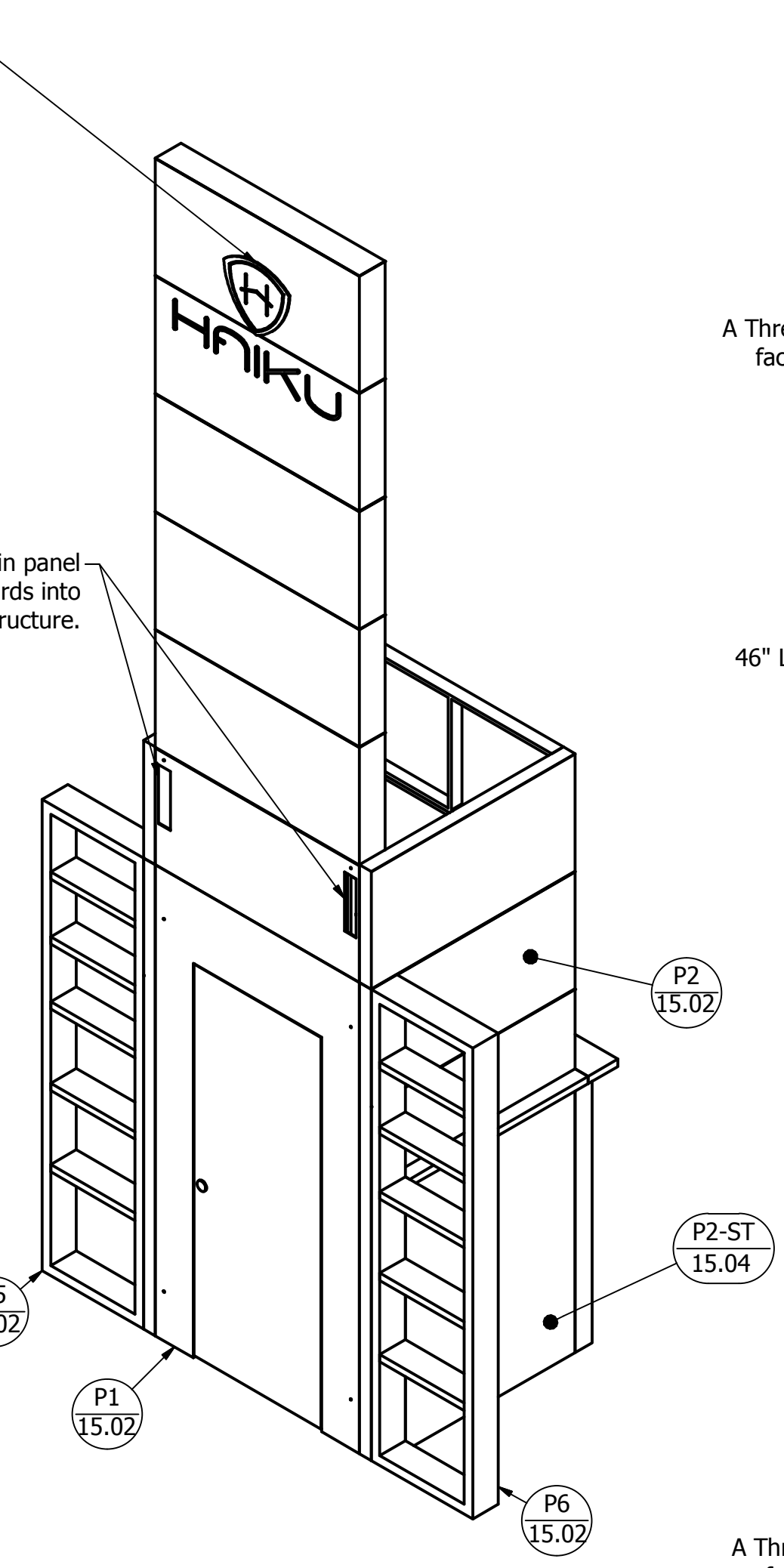




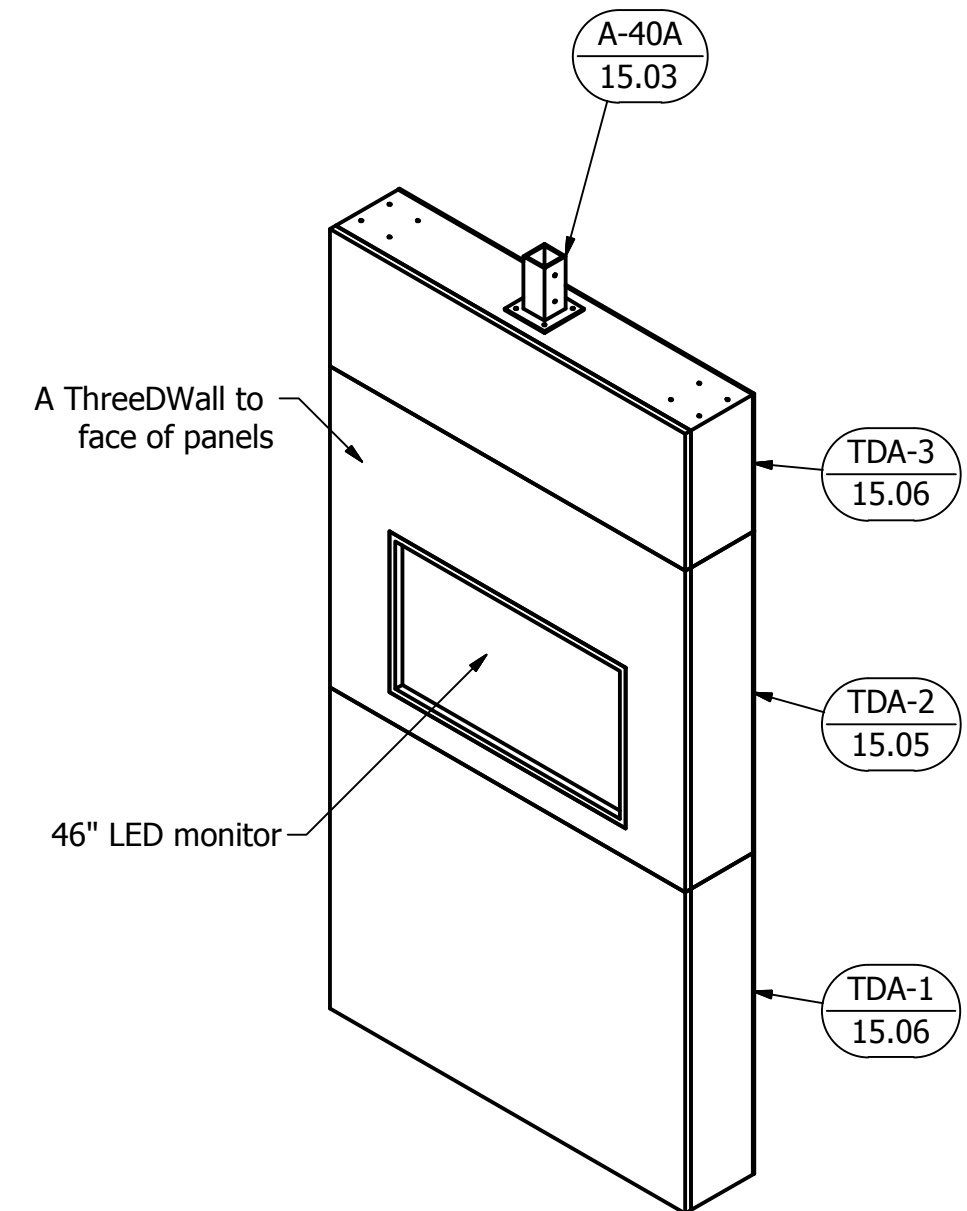
Plan View - Closet & ThreeD Walls
SCALE: 1/4"=1'-0"



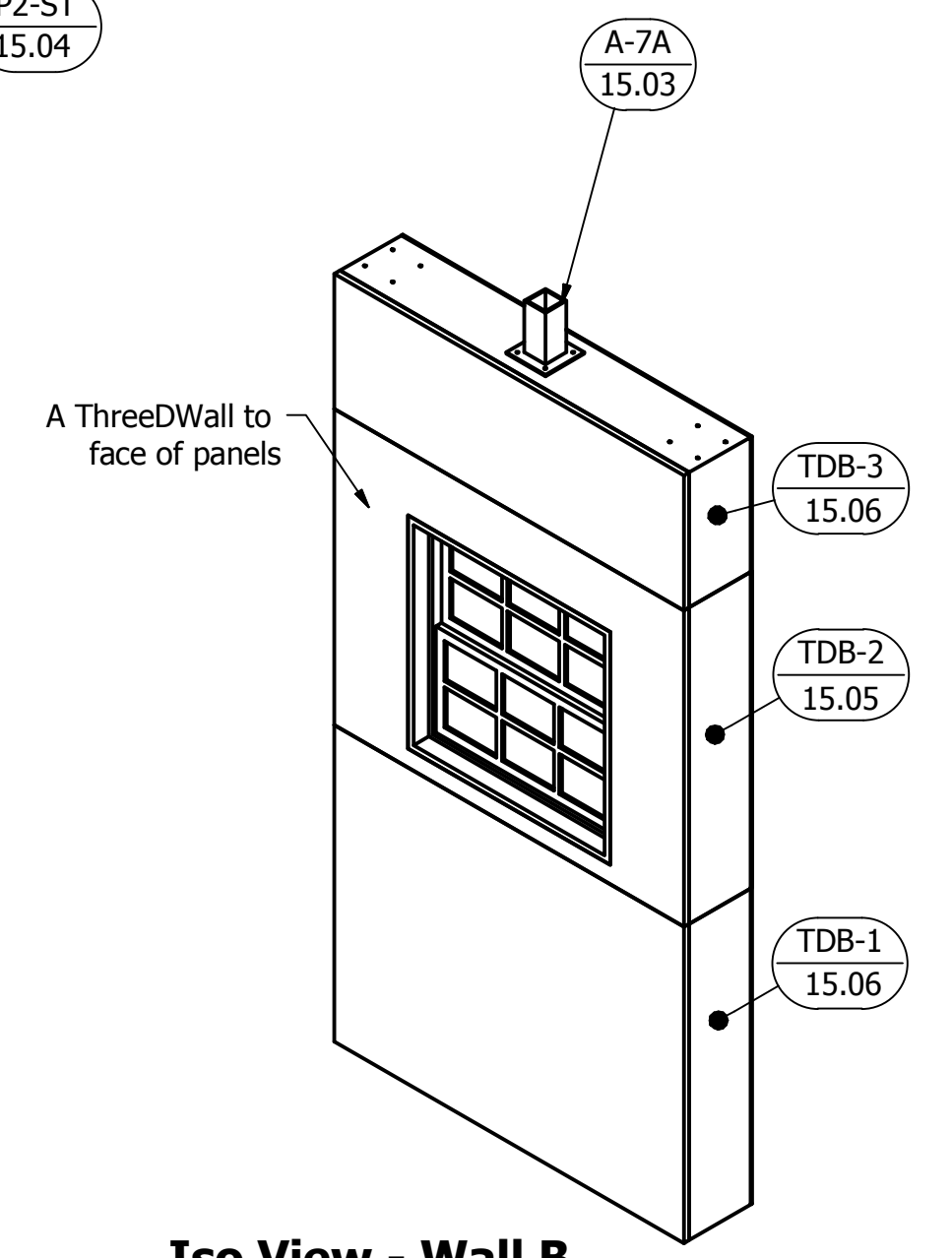
Iso View - Closet Front



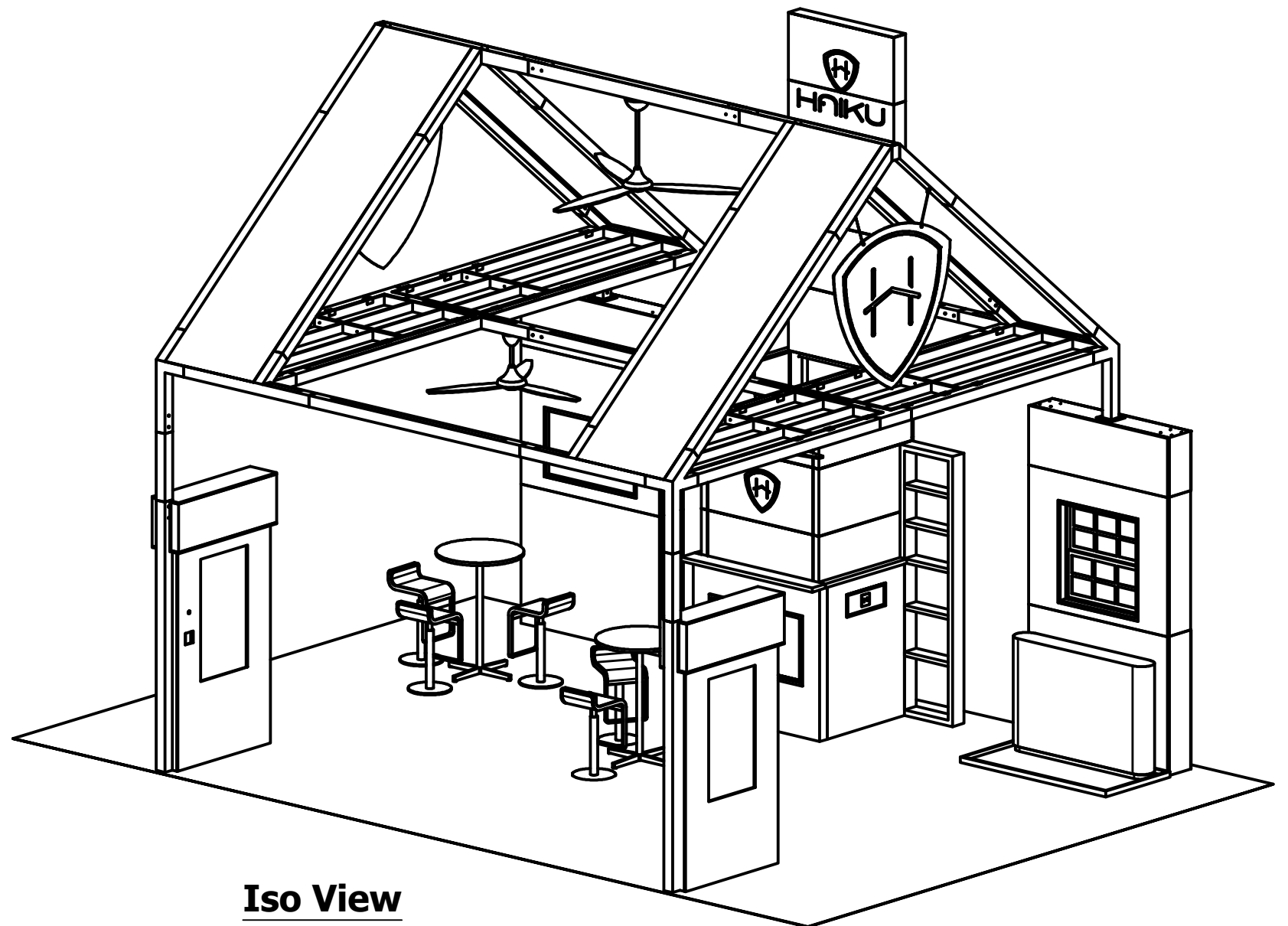
Iso View - Closet Rear



Iso View - Wall A



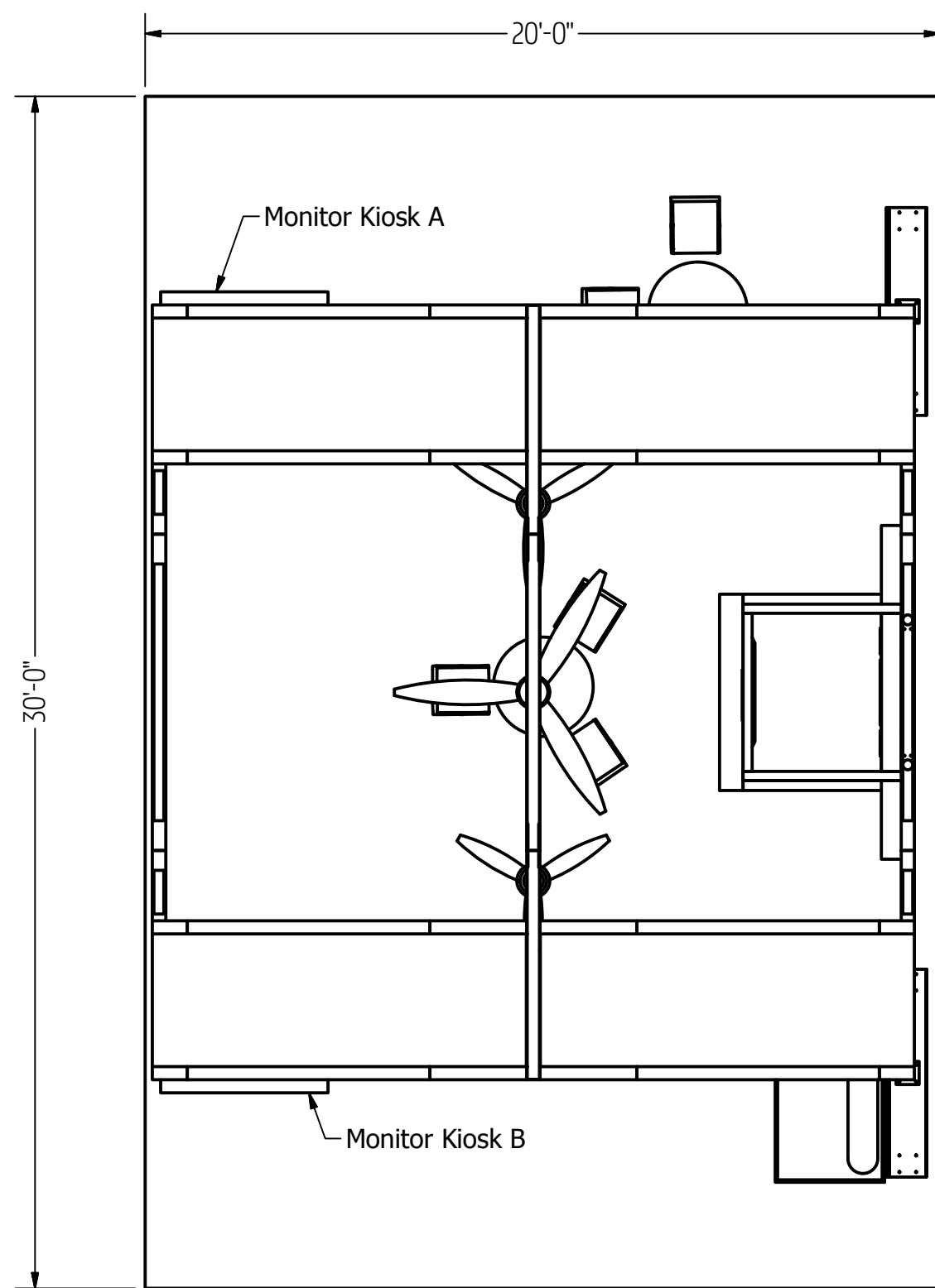
Iso View - Wall B



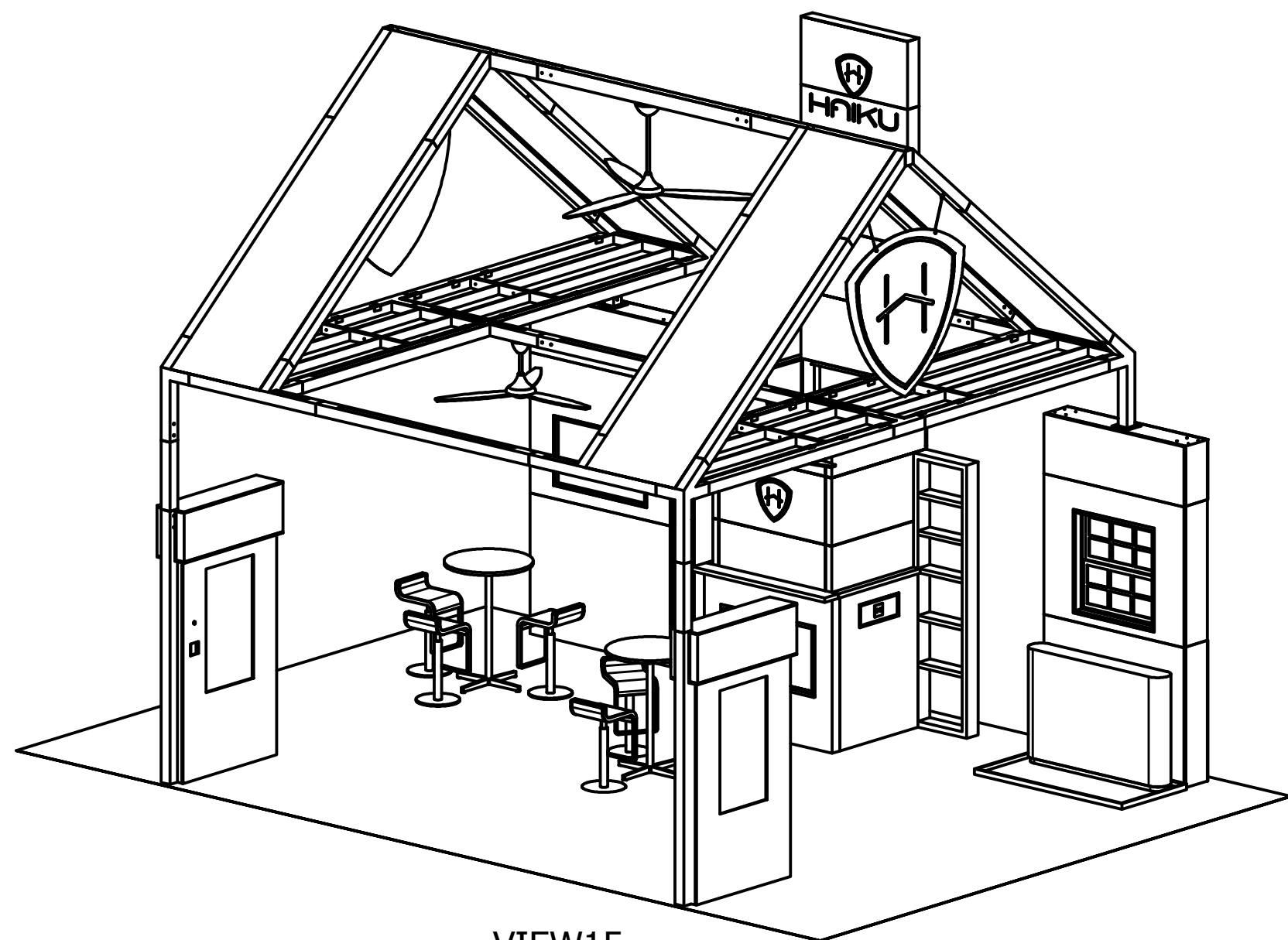
Iso View

Big Ass Fans

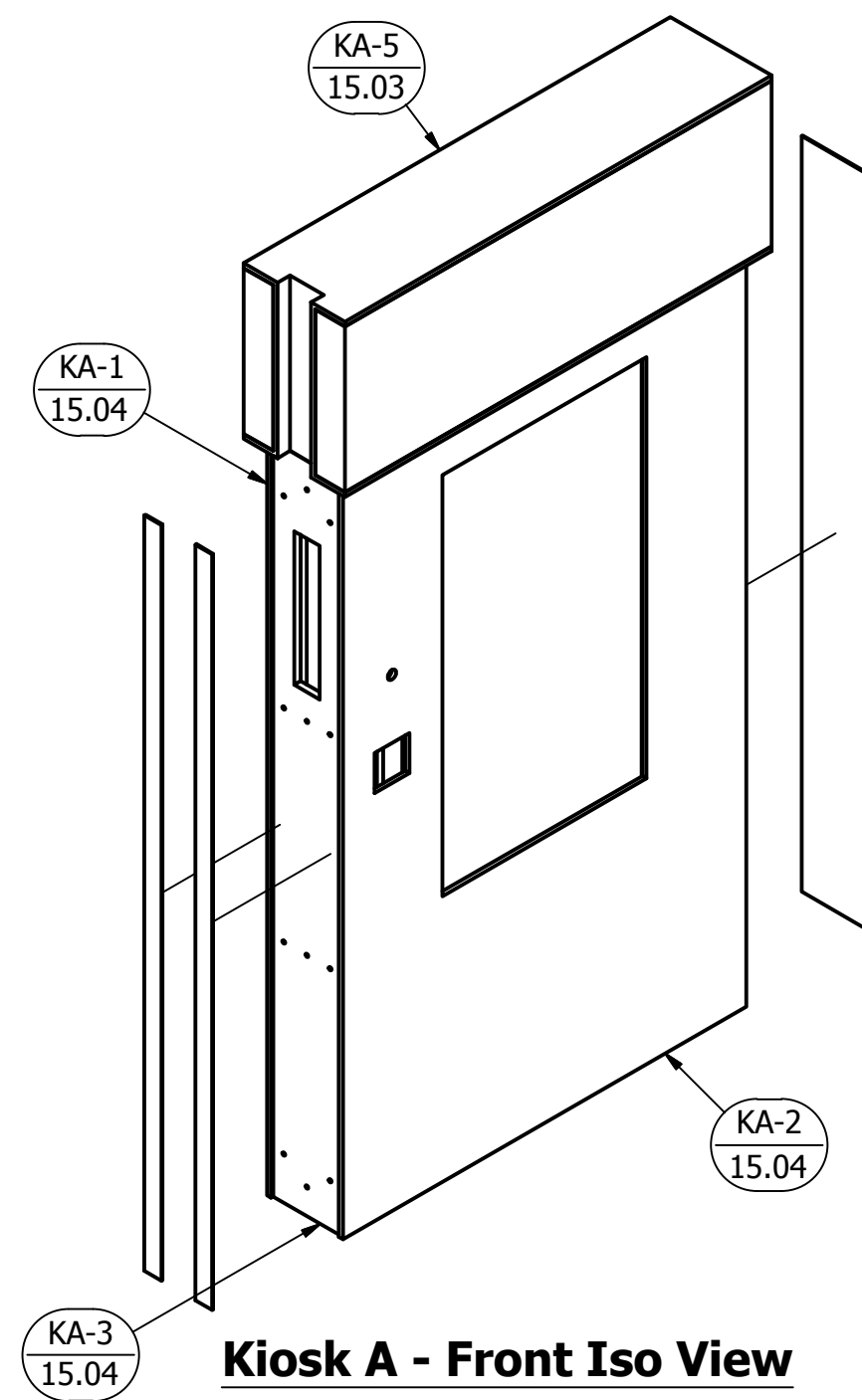
| PAGE TITLE: Closet and Walls | JOB #: M-15-01308 | All designs and ideas embodied herein are the creative property of MG Design Associates Corp. They may not be reproduced in any manner without the expressed written approval of MG Design Associates Corp. | **MG DESIGN**
 | SHOW: CES 2016 | BOOTH #: 71553 | PM: ML
 | LOCATION: Las Vegas, NV | DATES: 1/6-9/16 | DRAWN BY: CA | MG Design Associates Corp. | 8778-100th Street | Pleasant Prairie, WI 53158



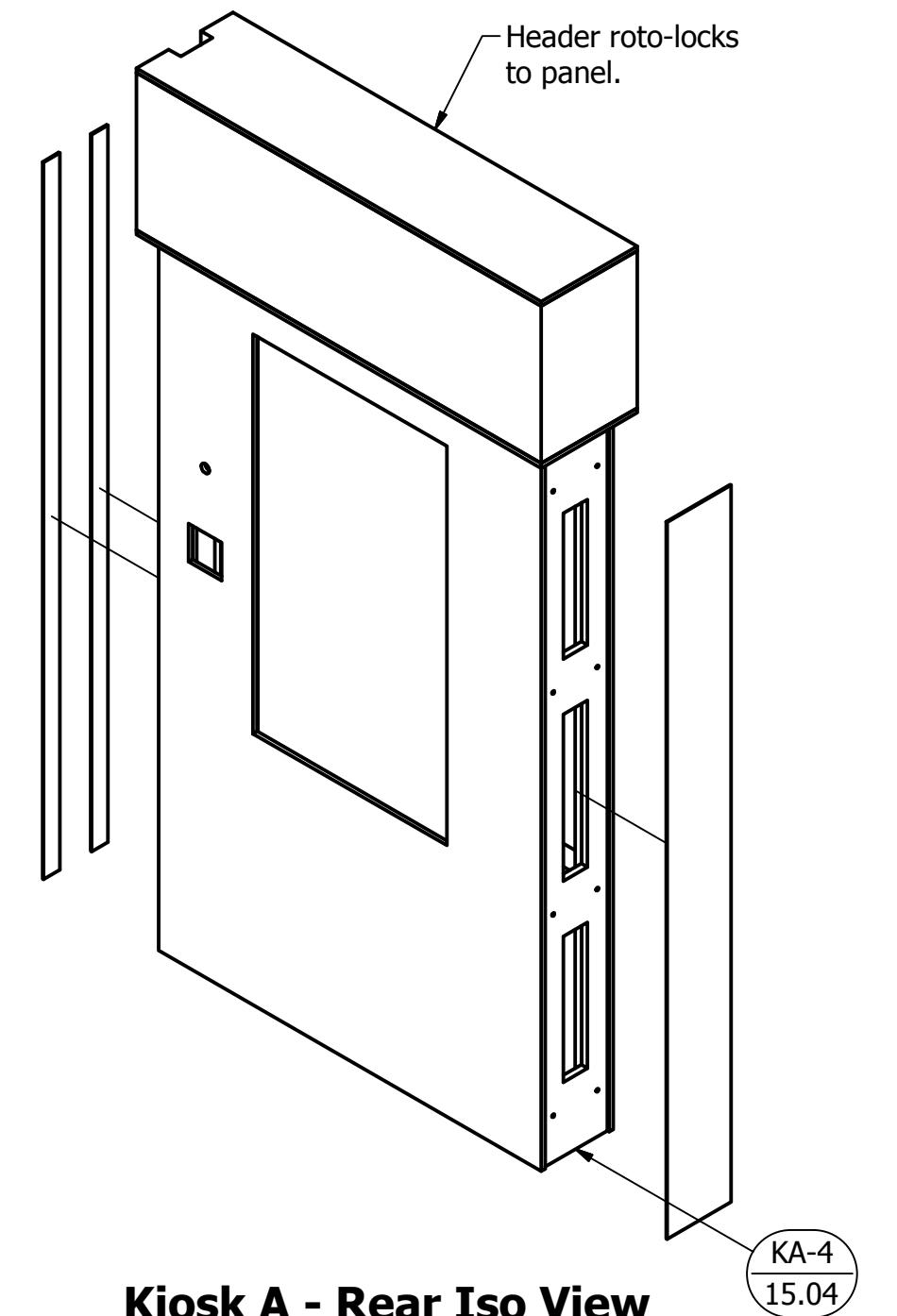
VIEW14
SCALE: 1/4"=1'-0"



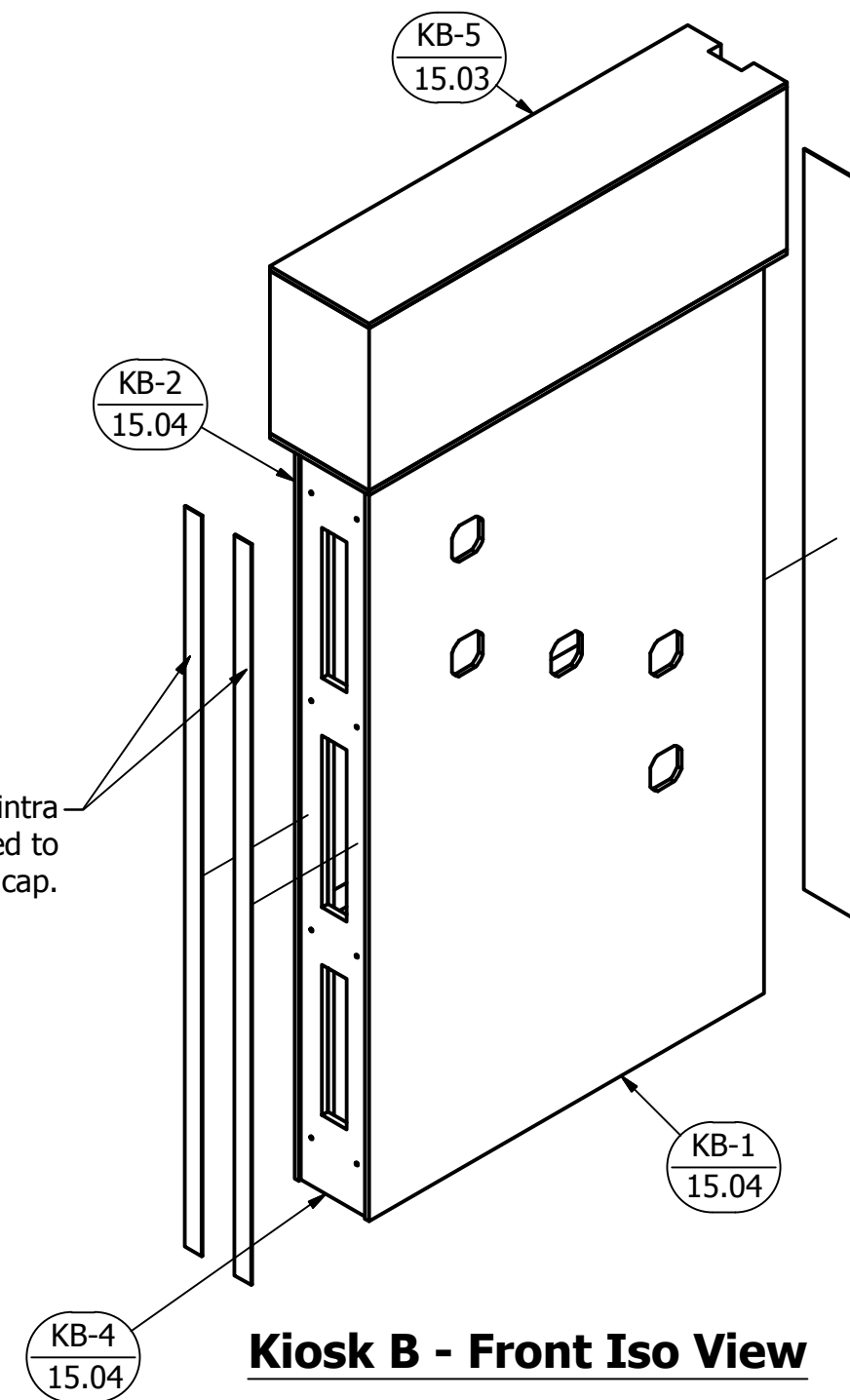
VIEW15
SCALE: 1 / 50



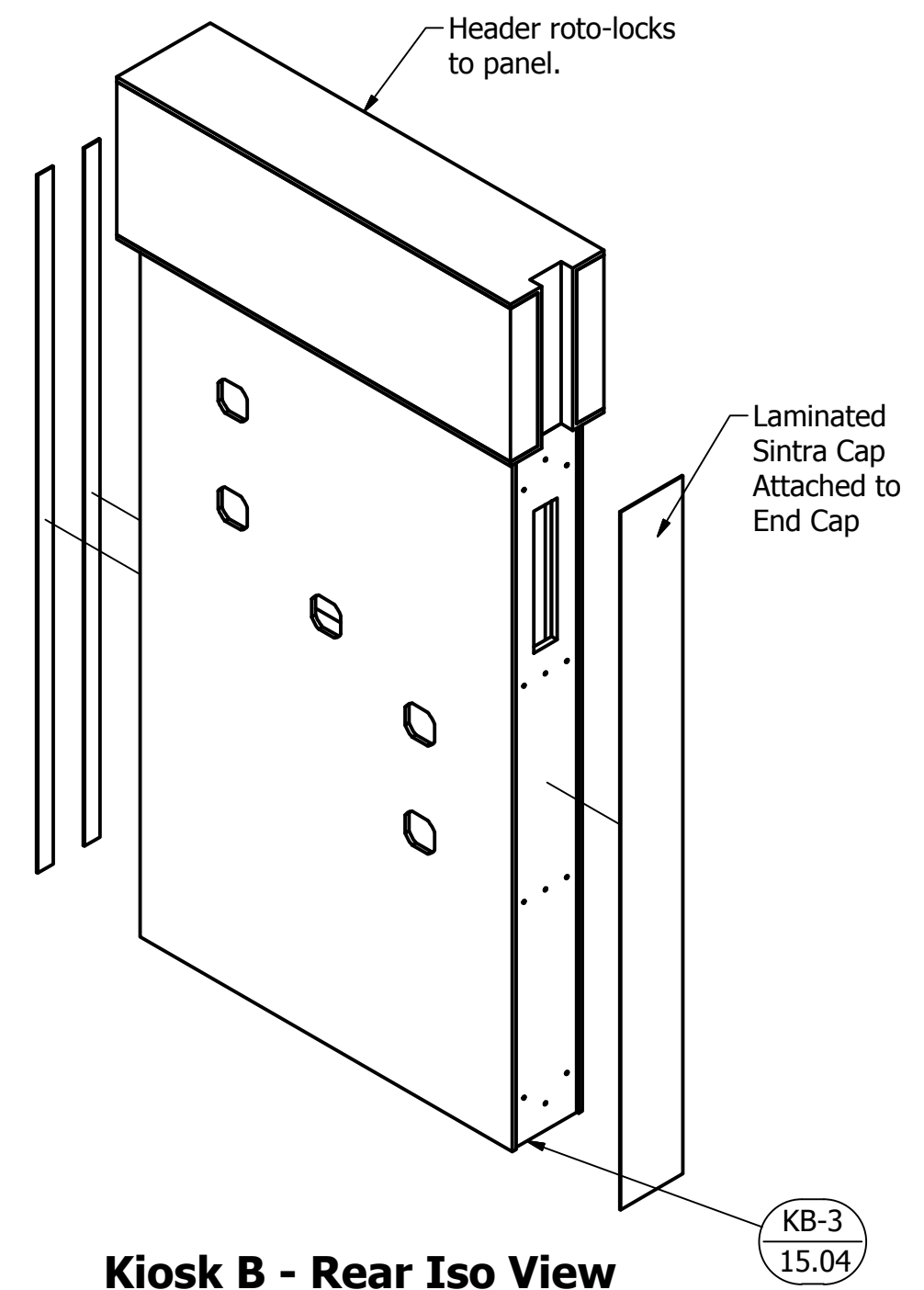
Kiosk A - Front Iso View



Kiosk A - Rear Iso View



Kiosk B - Front Iso View



Kiosk B - Rear Iso View

Big Ass Fans

PAGE TITLE: Monitor Kiosks
SHOW: CES 2016 | BOOTH #: 71553
LOCATION: Las Vegas, NV | DATES: 1/6-9/16

JOB #: M-15-01308
PM: ML
DRAWN BY: CA

All designs and ideas embodied herein are the creative property of MG Design Associates Corp. They may not be reproduced in any manner without the expressed written approval of MG Design Associates Corp.
MG Design Associates Corp. | 8778-100th Street | Pleasant Prairie, WI 53158

