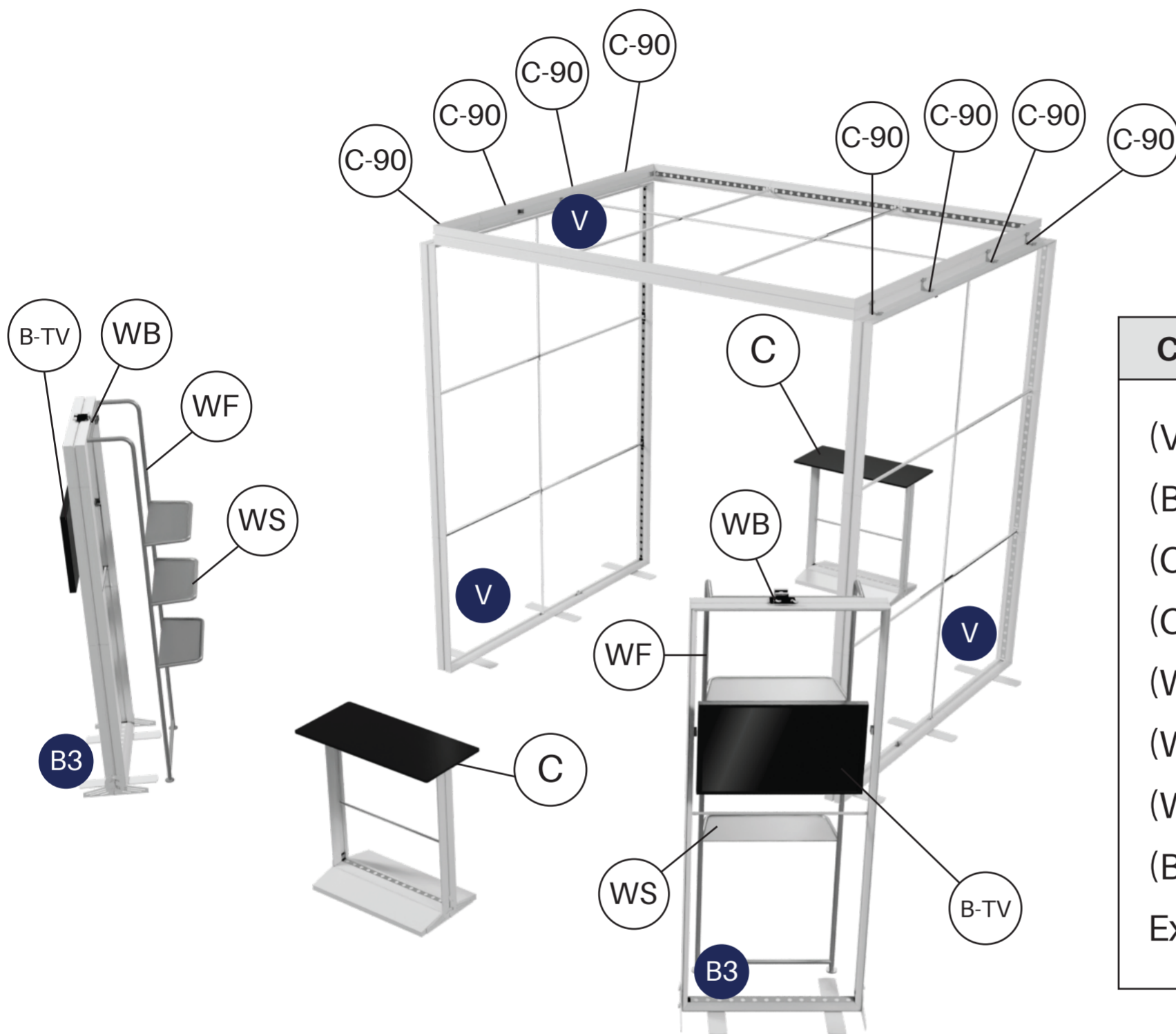
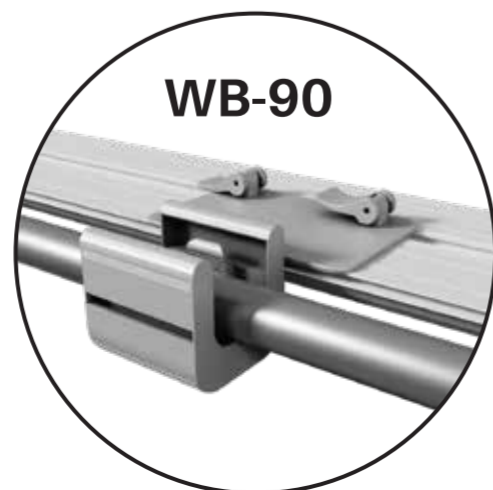
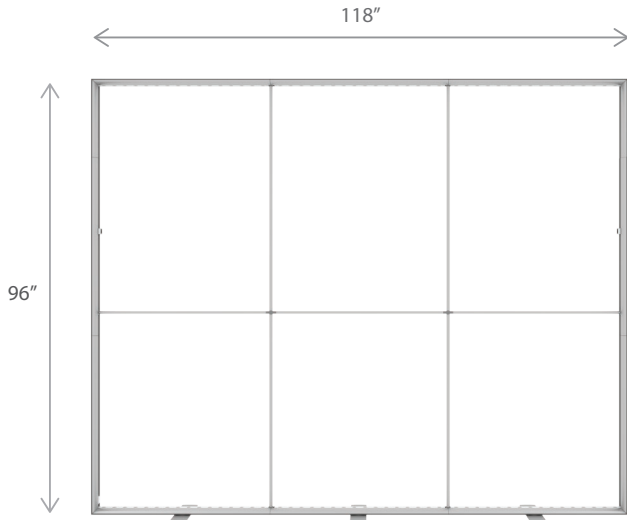


BLM-2020-K3



COMPONENTS	
(V) Panel V	3x
(B3) Panel B3	2x
(C) Counter	2x
(C-90) Connector 90	4x
(WB) WLM to BLM 90	2x
(WF) 36" Waterfall	2x
(WS) Waterfall Shelves	6x
(B-TV) BLM-TV-36	2x
Extension Cord	2x





PRODUCT DESCRIPTION

BrightLine smart light box displays feature swift tool-free installation, durable light-weight frames, embedded LEDs, and exclusive One Planet recycled fabrics with impressive vivid graphics, all conveniently organized in a heavy-duty shipping case. Panel V features the most popular exhibit size, filling up a 10ft booth with brilliant allure.

Mix-and-match with other BrightLine panels, or combine with WaveLine and StraightLine displays, to create unique branded environments. TV mounts and counters complete an enhanced experience to really make brands stand out.

KEY FEATURES

- Easy tool free assembly
- Lightweight portable construction
- Magnetic power links
- LED lights encapsulated in frame
- Heavy duty shipping case, molded foam inserts
- Single- or double-sided
- Vibrant graphics on recycled fabric

DISPLAY CONSTRUCTION

Aluminum frame with aluminum support poles

DIMENSIONS

Assembled Unit	118" w x 96" h x 4" d
Packed Case	46.5" w x 15" h x 12" d, 71 lbs
Shipping Box	47" w x 16" h x 13" d, 73 lbs
Graphic Size	118" w x 96" h

GRAPHIC MATERIAL

Graphic Print : Dye sublimated on One Planet, 100% recycled, backlit fabric	Bottles recycled 82
Blocker : One Planet light block recycled fabric	Bottles recycled 33

LED LIGHT SPECIFICATIONS

Power Requirements	192 W
CCT (Color Temp)	6000 K
Voltage Input	110 / 220V
Voltage Output	24V 11A 264W
Transformers Included	1

GRAPHIC FINISHING

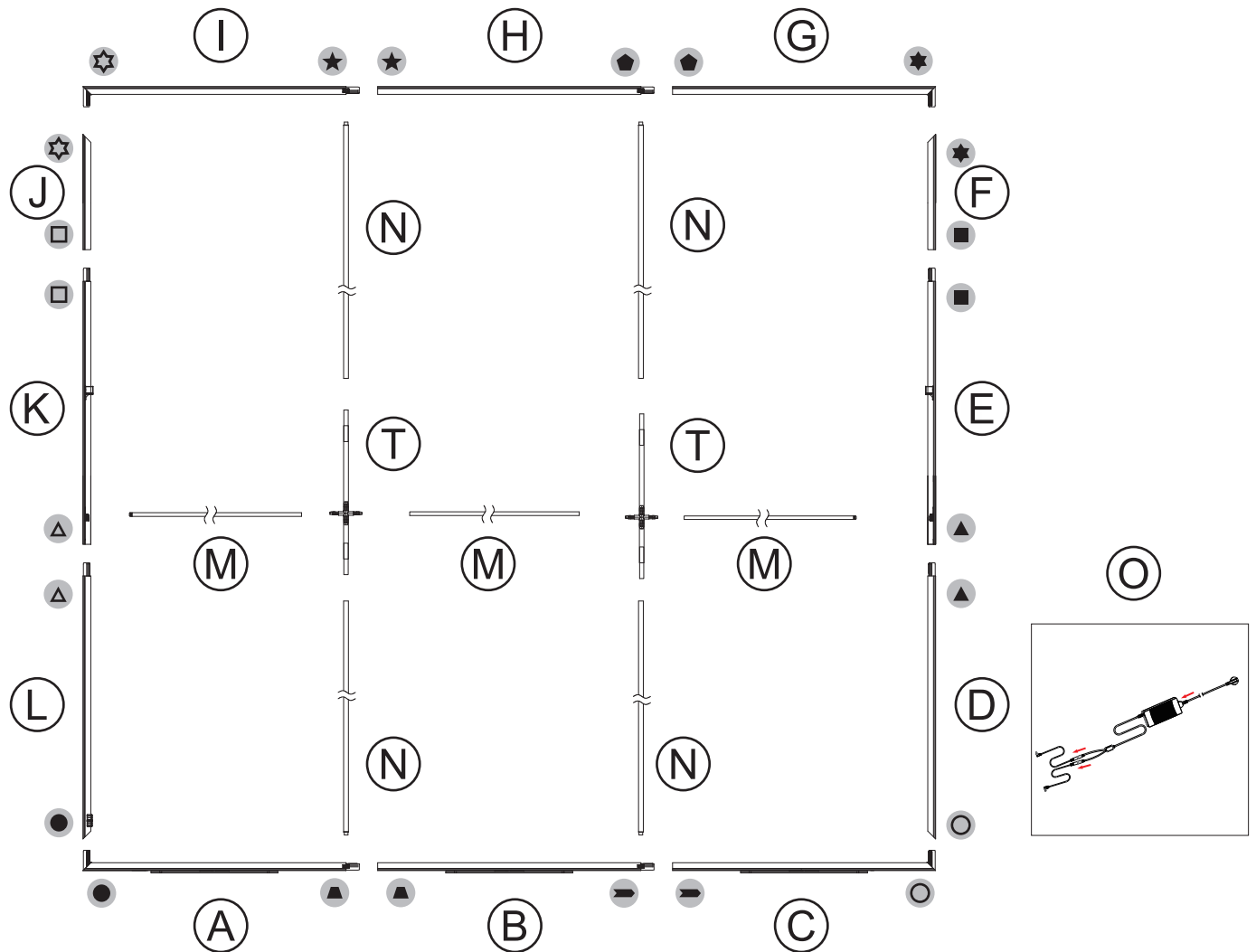
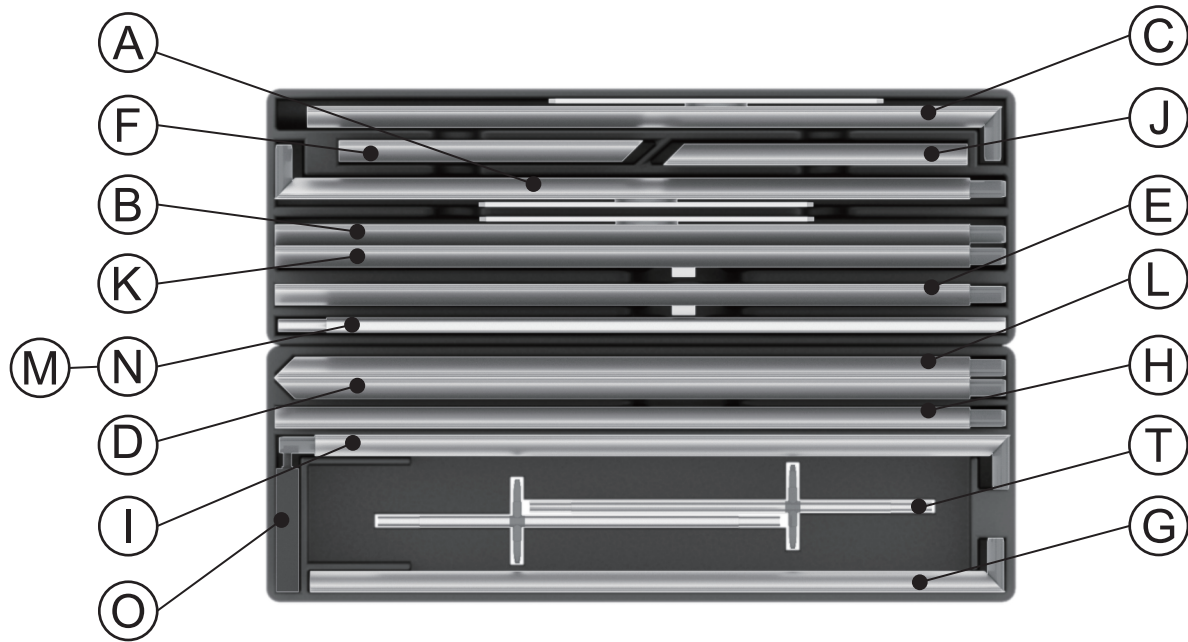
Silicone sewn edges

WARRANTY

Limited Warranty Periods

- Frame : Lifetime
- Lights : 90 days
- Graphics : 30 days

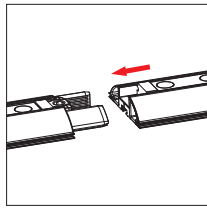
PARTS



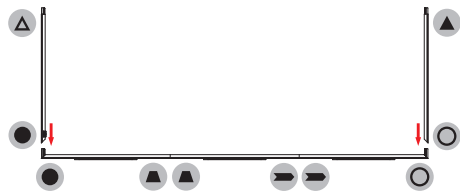
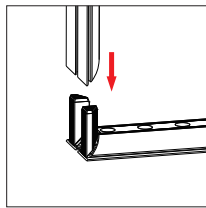
ASSEMBLY

Assemble parts on the floor and stand-up unit when completed.

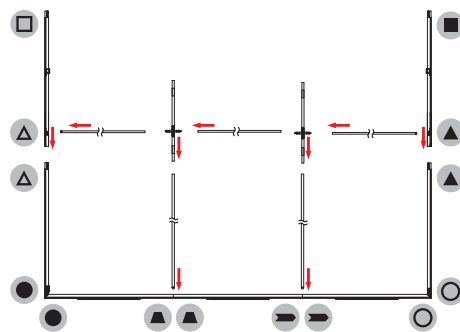
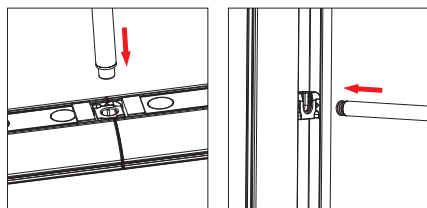
1



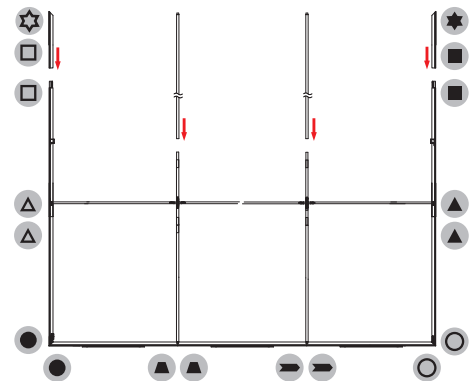
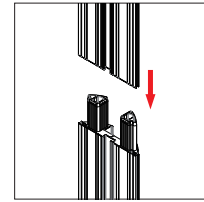
2



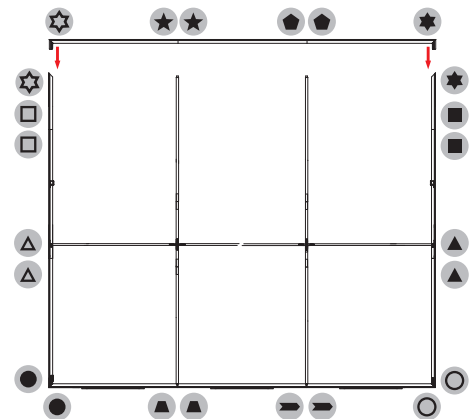
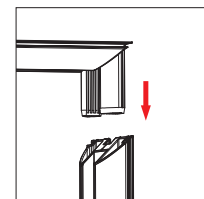
3



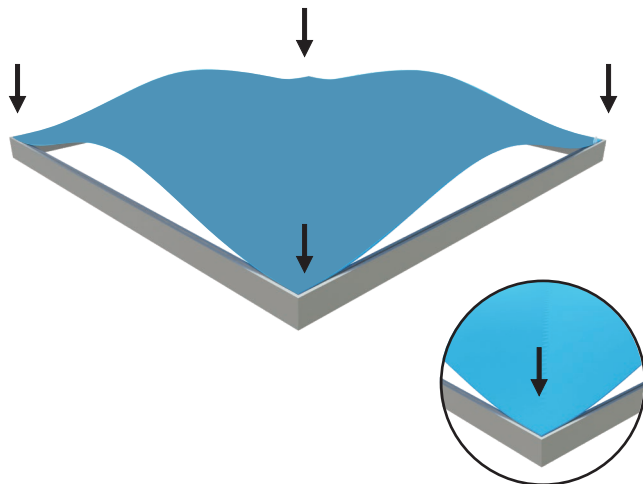
4



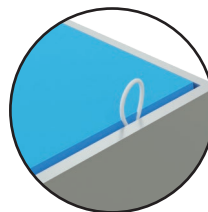
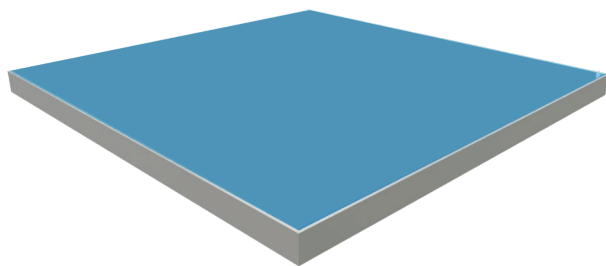
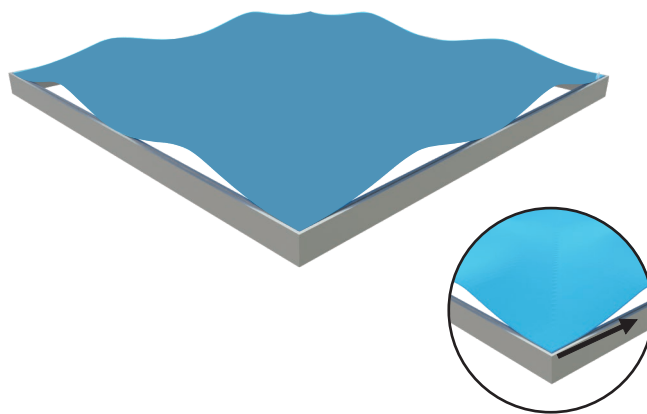
5



6 Push the silicone bead into each corner of the frame with your thumb.

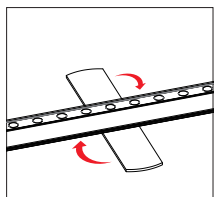
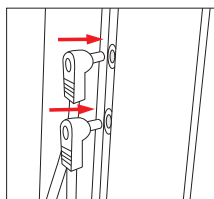


Push the silicone bead into the middle of the run and work your way around the perimeter of the frame until all beading is pushed in properly

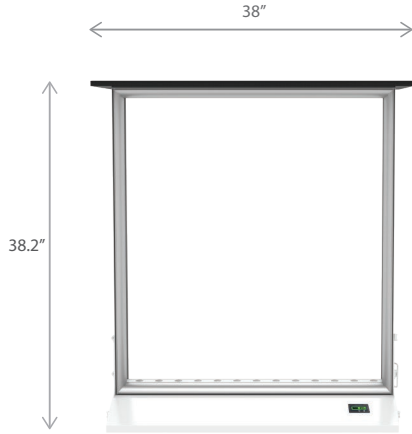


To Remove Graphic
Use the pull tab located on the graphic and gently pull the graphic from the frame, going around the perimeter

7



Counter
BLM-COUNTER-K



PRODUCT DESCRIPTION

The BrightLine backlit counter stands as a beacon of sophistication, seamlessly blending illumination, and functionality. Its sleek design, showcasing double-sided graphics, creates an ambiance that draws attention. Complete an inviting environment with brilliant counters showcasing double-sided branding and ample countertops that fit laptops or tablets.

Upgrade to the cordless version, where the base is loaded with rechargeable batteries that last over 12 hours. Whether in a showroom, a tradeshow exhibit, or a retail environment, the backlit counter defines a modern elegance and functionality in perfect harmony.

KEY FEATURES

- Easy tool free assembly
- Lightweight portable construction
- Magnetic power links
- LED lights encapsulated in frame
- Heavy duty shipping case, molded foam inserts
- Single- or double-sided
- Vibrant graphics on recycled fabric

DISPLAY CONSTRUCTION

Aluminum frame with aluminum support poles

DIMENSIONS

Assembled Unit	38" w x 38.2" h x 15.8" d
Packed Case	43" w x 23" h x 13.5" d, 59 lbs
Shipping Box	44" w x 23" h x 14" d, 61 lbs
Graphic Size	33" w x 36" h
Countertop	38" w x 0.625" h x 15.75" d
Base	33" w x 1.6" h x 15" d
Graphic Frame	33" w x 36" h x 4.8" d

GRAPHIC MATERIAL

Graphic Print : Dye sublimated on One Planet, 100% recycled, backlit fabric	Bottles recycled 9
Blocker : One Planet light block recycled fabric	Bottles recycled 4

GRAPHIC FINISHING

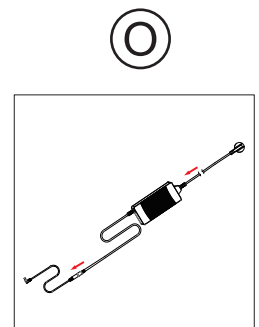
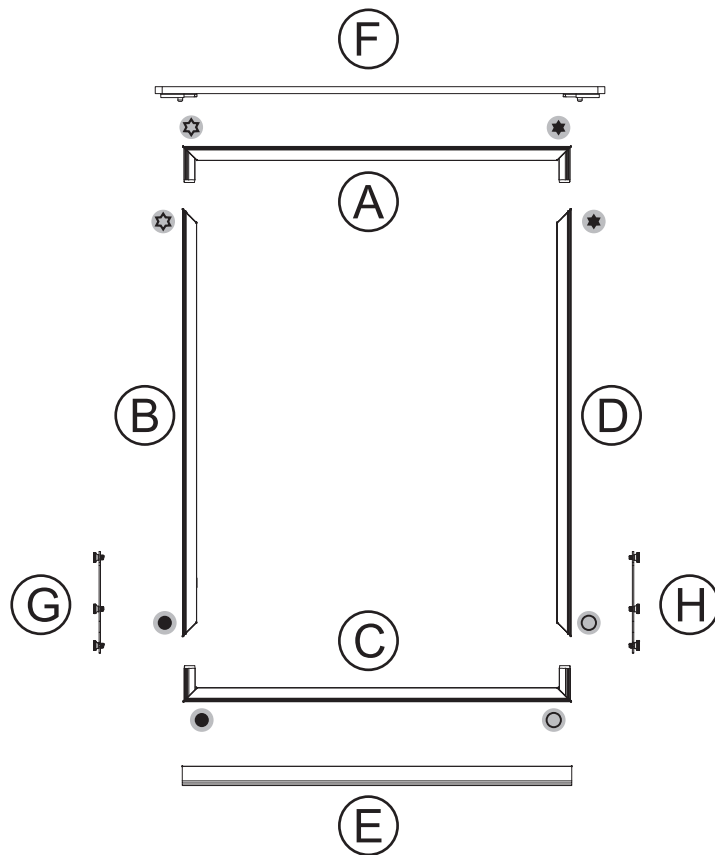
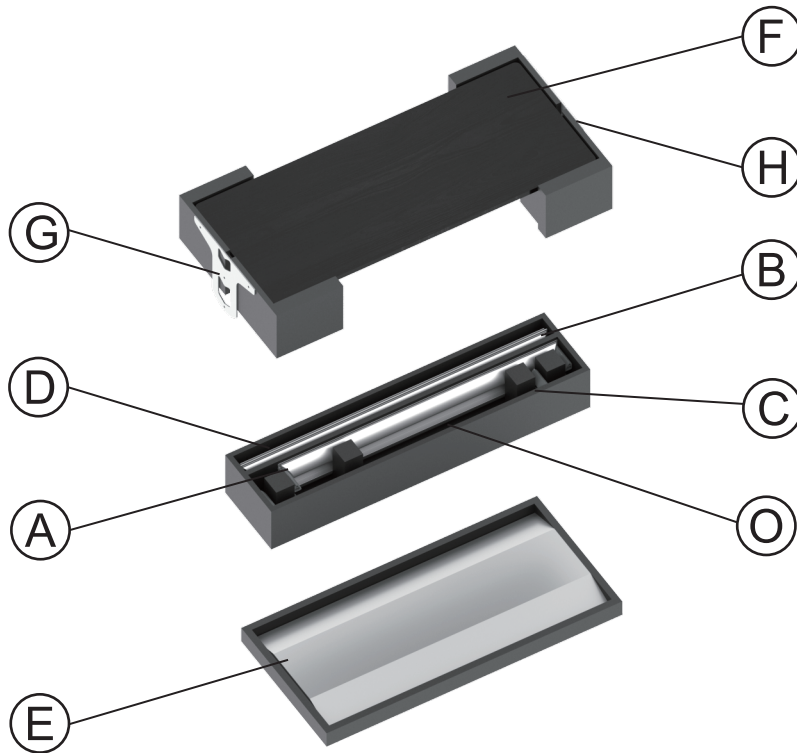
Silicone sewn edges

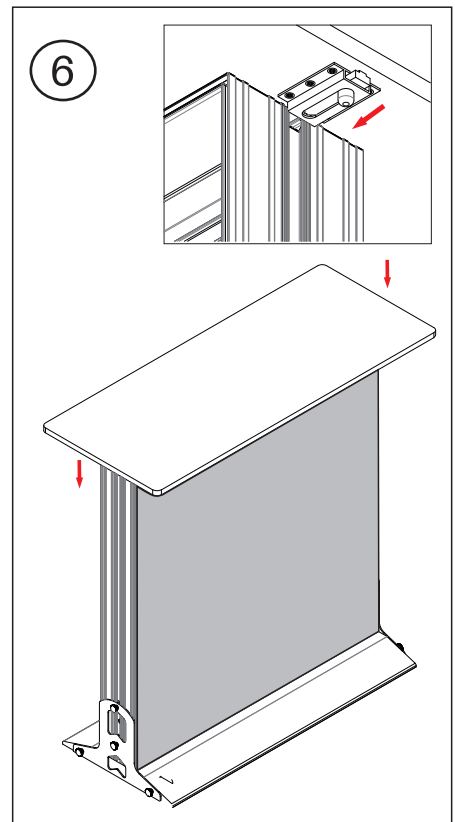
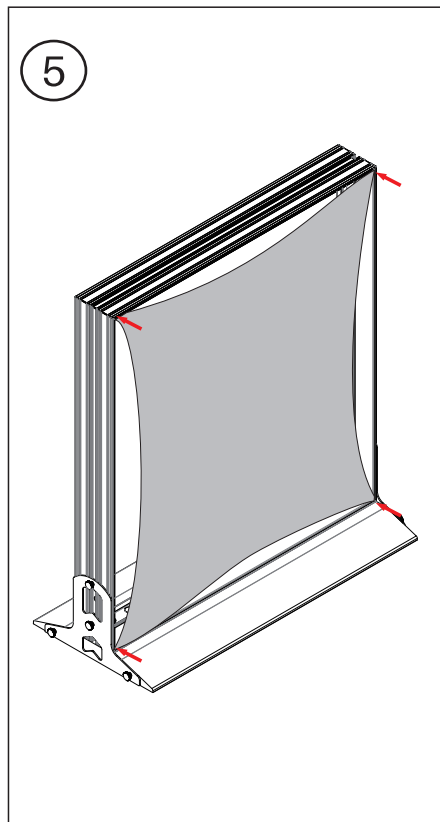
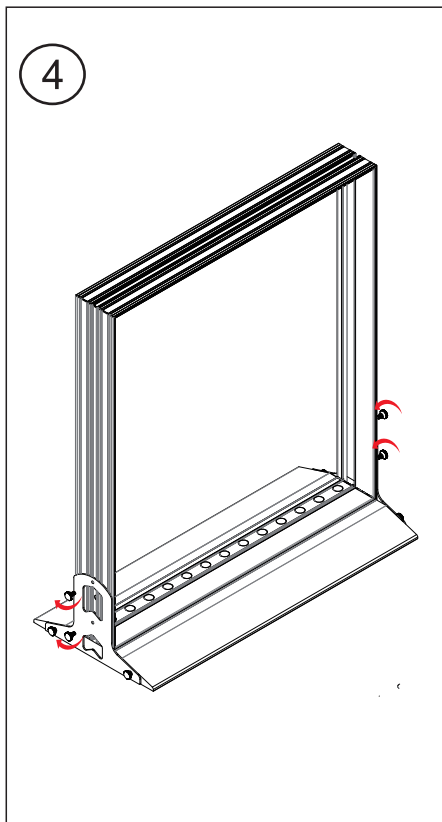
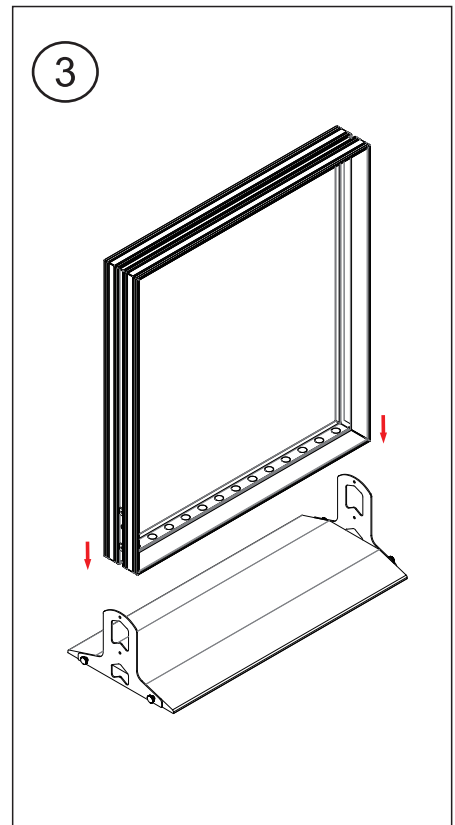
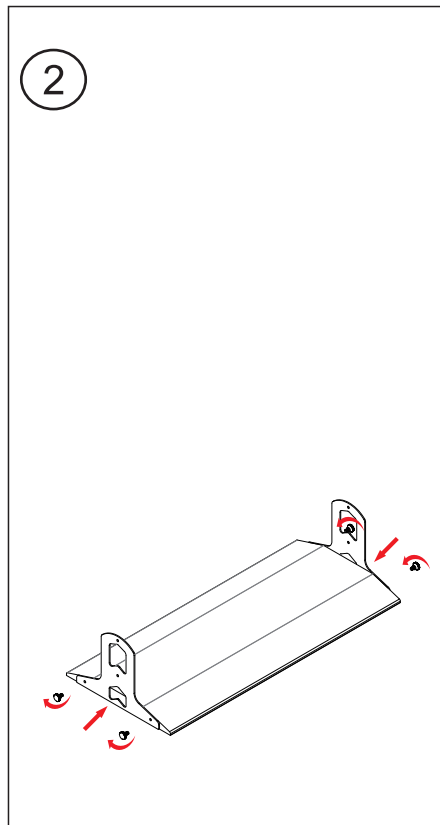
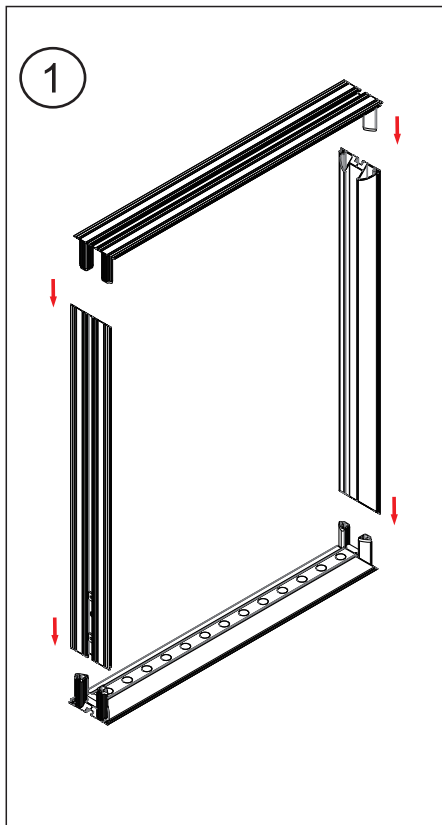
LED LIGHT SPECIFICATIONS

Power Requirements	64 W
CCT (Color Temp)	6000 K
Voltage Input	110 / 220V
Voltage Output	24V 4A 96W
Transformers Included	1

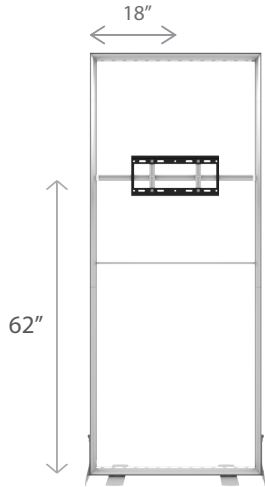
WARRANTY

Limited Warranty Periods
 - Frame : Lifetime
 - Lights : 90 days
 - Graphics : 30 days





Monitor Mount
BLM-TV-36-K



PRODUCT DESCRIPTION

Designed for compatibility with BrightLine and StraightLine Displays, these mounts deliver a captivating “floating” screen sensation. Simply slide the TV bar into the frame, secure the monitor plate with screws, and attach your screen on the front. Side feet are included in the kit for extra stability. Graphics can be finished with four small pre-cut slits for convenient access, or you can customize your own cutouts as required.





MONITOR SPECIFICATIONS

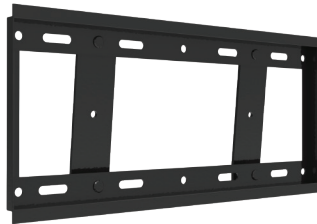
Holds monitors up to 25 lbs, VESA 200 X 200

DIMENSIONS

Shipping Box	14" w x 4" d x 42" h, 8 lbs
--------------	-----------------------------

PARTS

(1x) Allen Key	 5mm
(4x) Bracket-to-Monitor Screws: M5, M6, & M8 screws included. Check your TV for specs	
Spacers	
Cutter	



Monitor Plate



Monitor Brackets
(2)



(2) M6 screws

TV Bar 36"



Side Foot
(2)

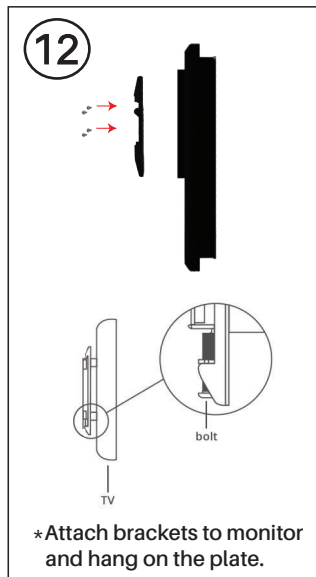
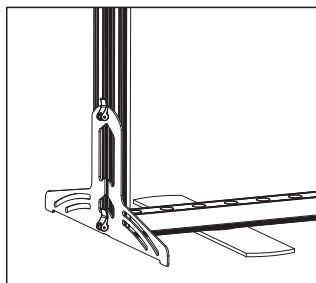
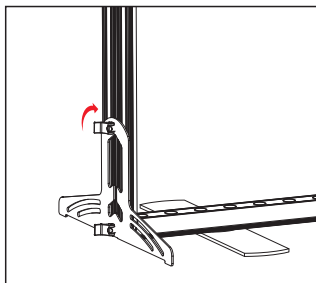
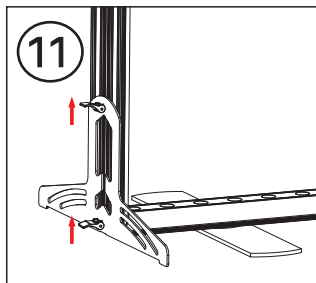
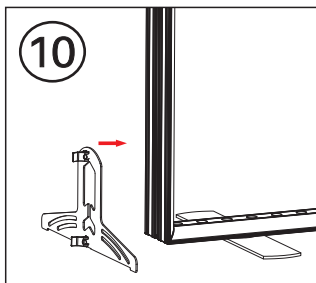
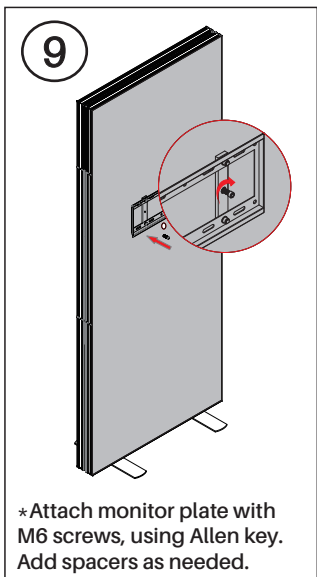
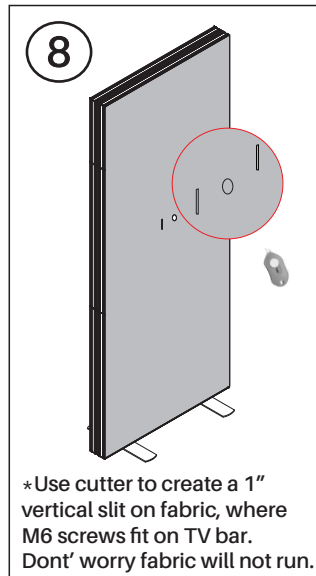
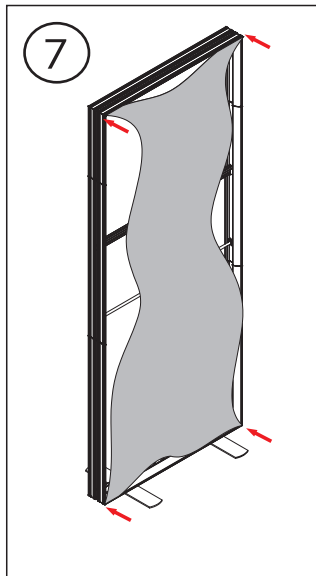
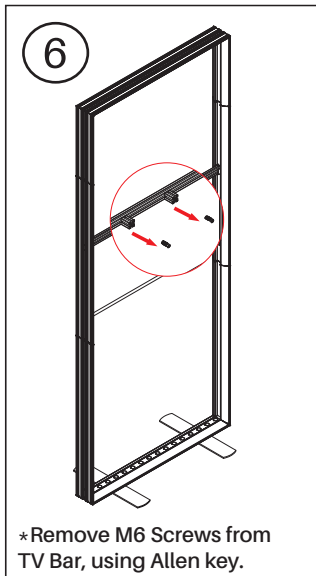
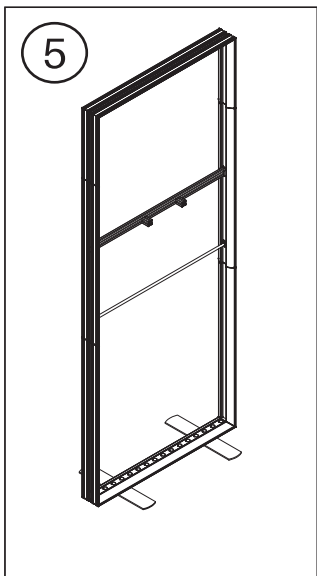
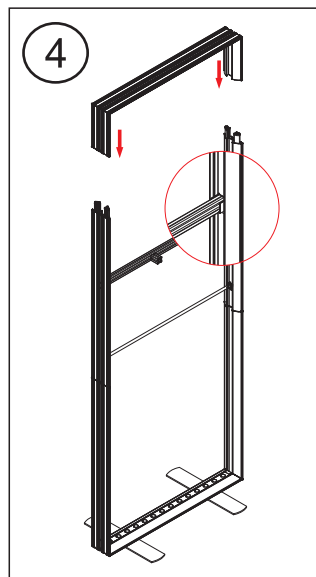
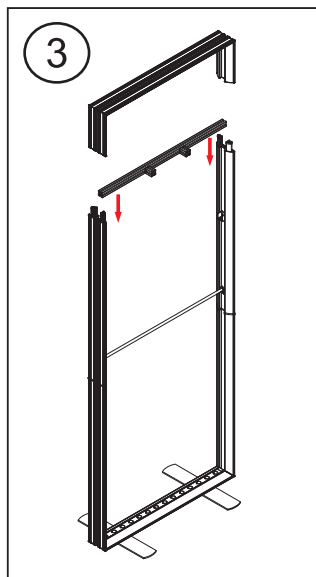
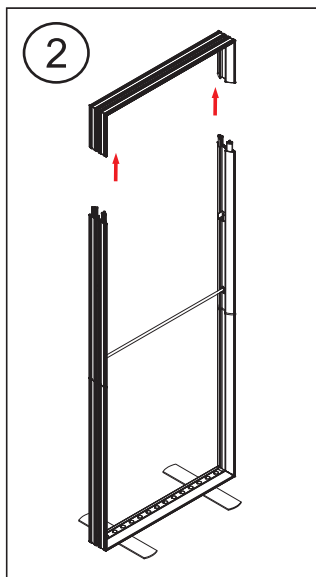
*Philips Screwdriver not included

Monitor Mount

BLM-TV-36-K

BrightLine

StraightLine



PARTS INCLUDED

Adhesive Cable Clips (4x)



Reusable Velcro Cable Ties (5x)



Resealable Lock Bag



You will need 10ft Extension Cable

1

Connect the extension cable to your TV. Route cable inside the groove of the TV bar and use cable ties to secure in place.

2

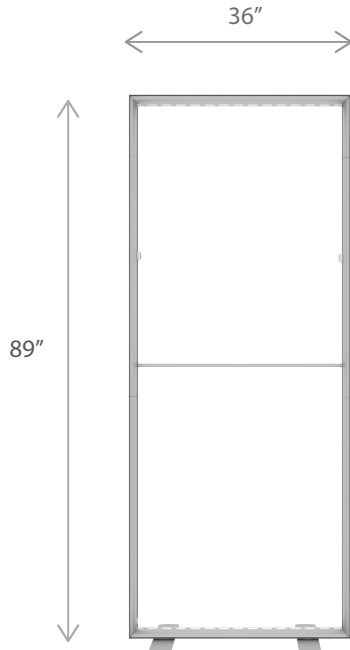
Attach wire clips to the frame. Then route the cable through and secure within the clips.

3

Route cable through the bottom corner of the frame.

4

Secure the vertical end of the graphic first, adjust cable, then finish with the bottom of the fabric



PRODUCT DESCRIPTION

StraightLine SEG display systems feature convenient tool-free assembly, durable light-weight frames, and silicone-edge graphics printed on exclusive One Planet recycled fabrics with impressive vivid graphics, all conveniently organized within molded inserts in a heavy-duty shipping case. Panel B3 represents the timeless banner design, boasting a compact footprint excellently suited for mobile marketers or in-store signage. The TV mount upgrade creates a dynamic presentation.

Upgrade to double-sided graphics, mix-and-match with other StraightLine panels, or combine with WaveLine and BrightLine displays, to create unique branded environments. TV mounts and counters complete an enhanced experience to help brands stand out.

KEY FEATURES

- Modular system
- Easy tool free assembly
- Lightweight portable construction
- Heavy duty shipping case, molded foam inserts
- Single- or double-sided
- Vibrant graphics on recycled fabric

GRAPHIC MATERIAL

Graphic Print :
Dye sublimated on One Planet, 100% recycled, fabric

Bottles recycled
24

DISPLAY CONSTRUCTION

Aluminum frame with aluminum support poles

DIMENSIONS

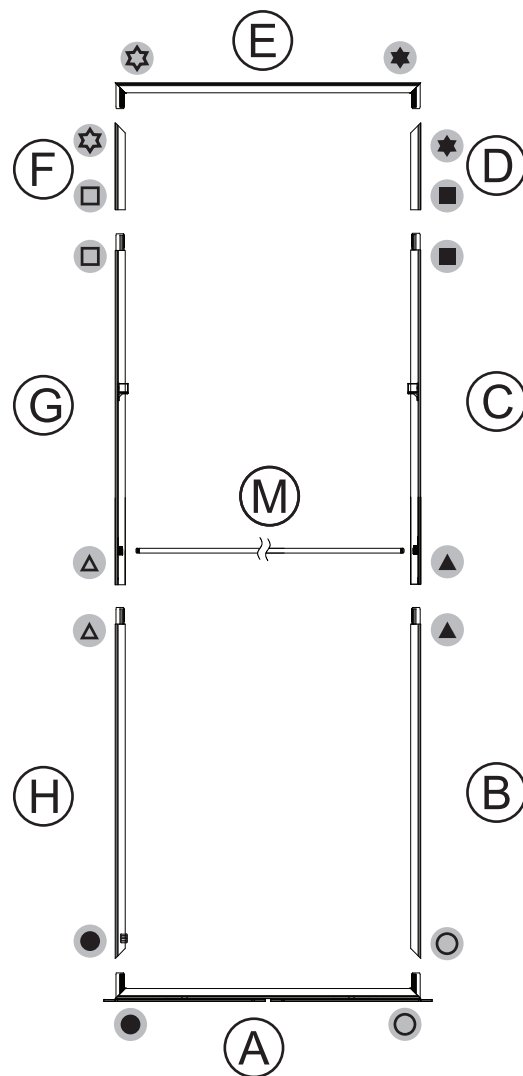
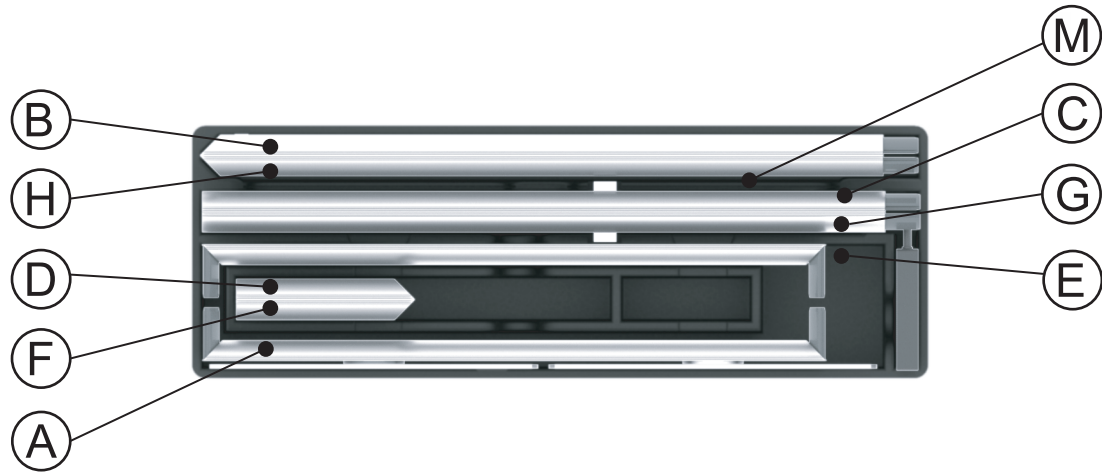
Assembled Unit	36"w x 89"h x 4"d
Packed Case	46.5"w x 15"h x 8.7"d, 32 lbs
Shipping Box	47"w x 16"h x 10"d, 34 lbs
Graphic Size	36"w x 89"h

GRAPHIC FINISHING

Silicone sewn edges

WARRANTY

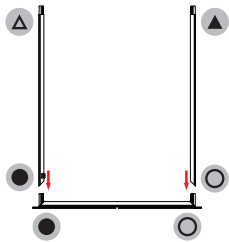
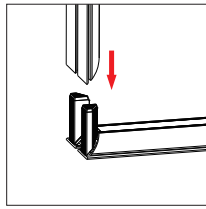
Limited Warranty Periods
- Frame : Lifetime
- Graphics : 30 days



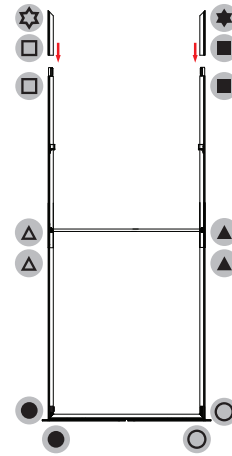
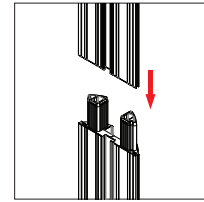
ASSEMBLY

Assemble parts on the floor and stand-up unit when completed.

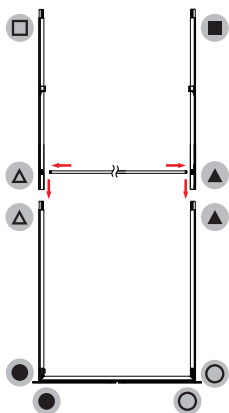
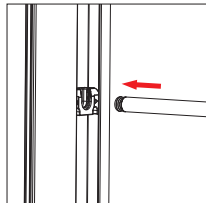
1



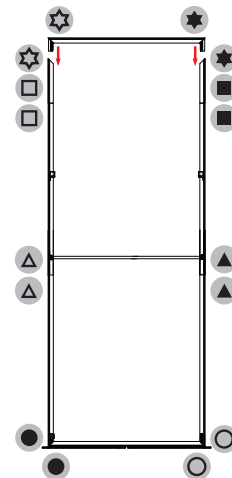
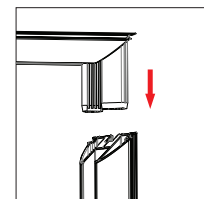
3



2



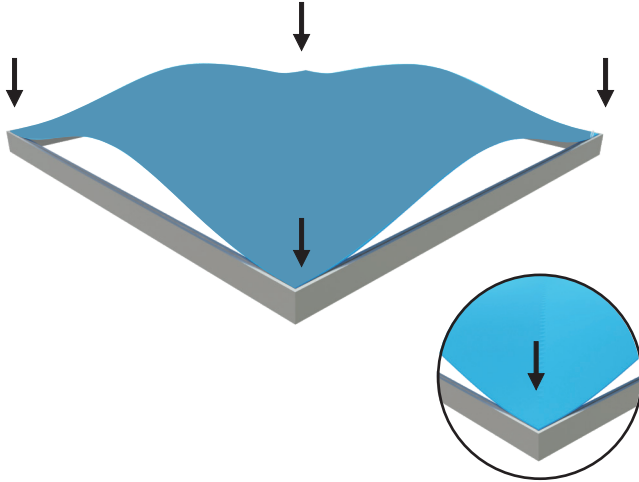
4



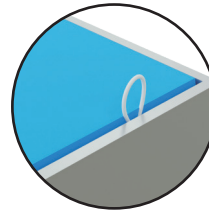
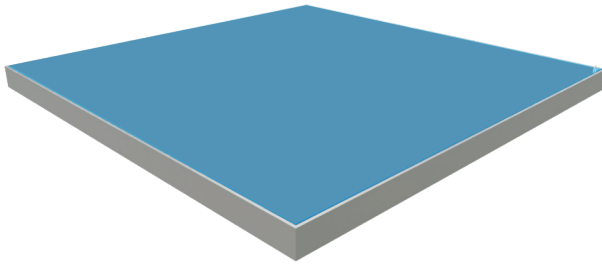
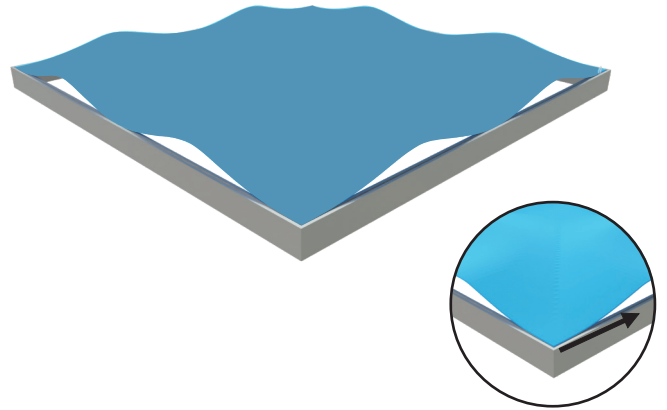
StraightLine

SLM-B3

- 5 Push the silicone bead into each corner of the frame with your thumb.

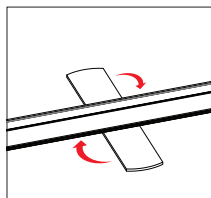


Push the silicone bead into the middle of the run and work your way around the perimeter of the frame until all beading is pushed in properly



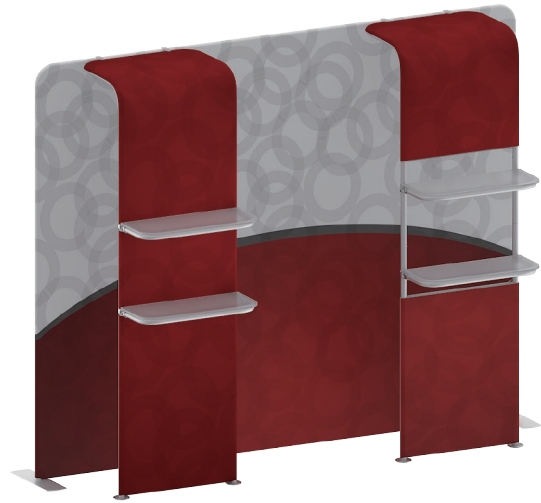
To Remove Graphic
Use the pull tab located on the graphic and gently pull the graphic from the frame, going around the perimeter

- 6



Waterfall 36"

WFA36



Partial Graphic
WFA36-G-P

FullGraphic
WFA36-G



PARTS INCLUDED



Aluminum Frame



Graphic



Support Feet x2



WLM-CM90 Clamp x1



OPTIONAL Shelving

PRODUCT DESCRIPTION

The WaveLine Waterfall features a robust aluminum frame with choice of partial or full graphics. Its durable aluminum poles are supported by sturdy feet. Graphics are printed on exclusive One Planet recycled fabric. Upgrade with optional shelving for more functionality.

KEY FEATURES

- Provides additional depth and functionality
- Easy tool-free assembly
- Durable aluminum poles
- Partial or full graphics
- Vibrant graphic prints on recycled fabrics
- Convenient optional shelving

DISPLAY CONSTRUCTION

Aluminum frame with aluminum support poles

GRAPHIC FINISHING

Top grade YKK zippers along bottom of display

GRAPHIC MATERIAL

Graphic Print :
Dye sublimated on One Planet, 100% recycled, fabric

Bottles recycled
59

DIMENSIONS

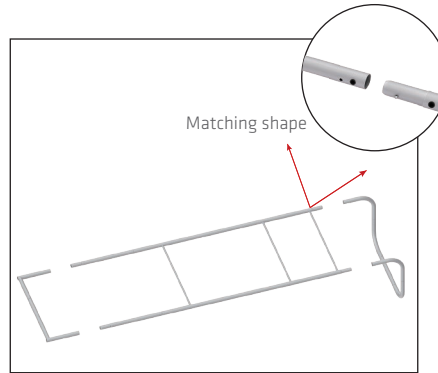
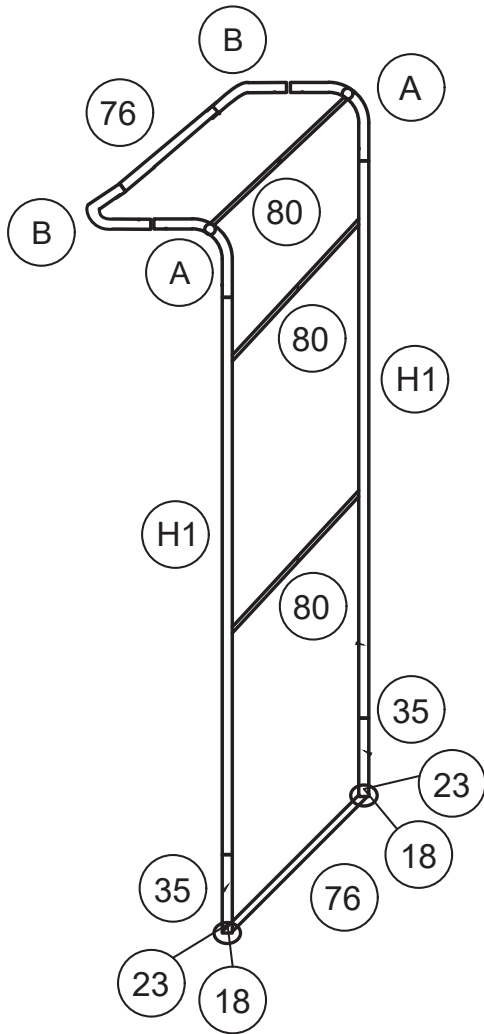
Assembled Unit	36"w x 89"h x 21"d
WFA-G Graphic Size	36"w x 105"h
WFA-G-P Graphic Size	Top: 36"w x 39.8"h Bottom: 36"w x 35.4"h
Shipping Box	33"w x 14"h x 11"d, 16 lbs
Optional Shelves	Call for details!

WARRANTY

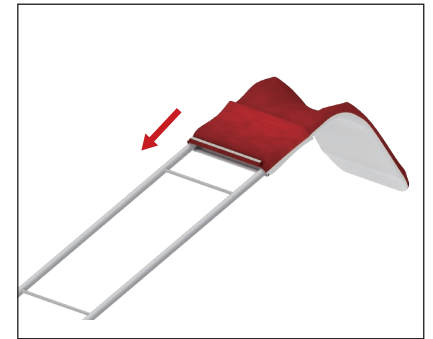
Limited Warranty Periods
- Frame : Lifetime
- Graphics : 6 months

Waterfall 36"

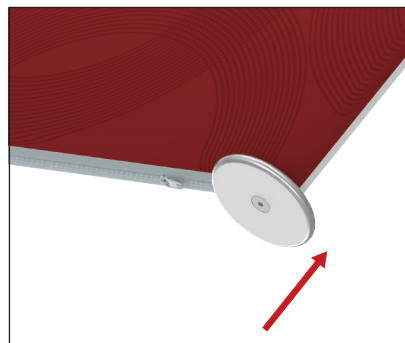
WFA36



1. Connect poles by pressing and pushing. Connect corner sections to straight sections with matching shape codes.



2. Unzip print and lay image face up. Slide print onto frame like a pillow case.

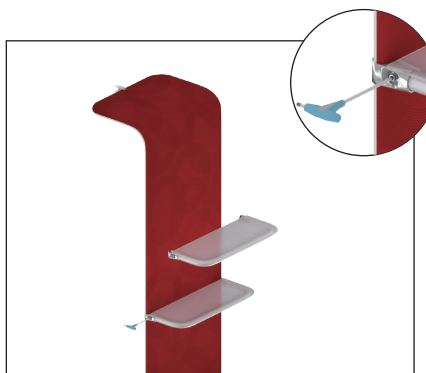


3. Connect feet by pressing and pushing. Zip the bottom edge of the graphic beyond the center point as shown above.



4. Position frame as desired and clamp in place.

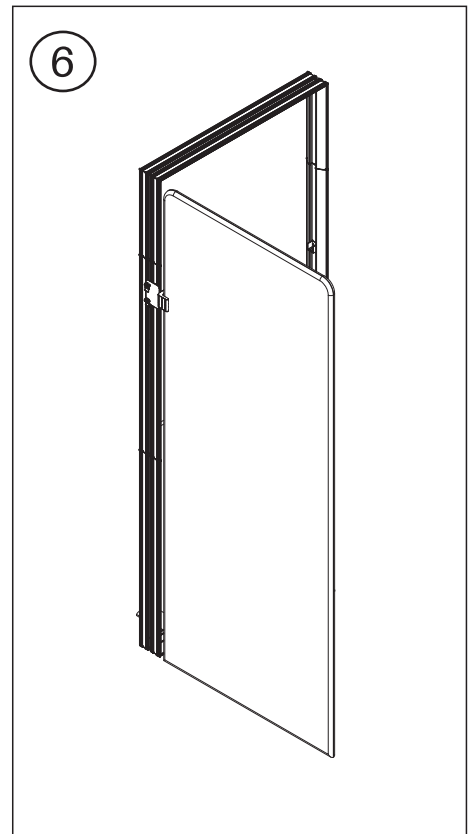
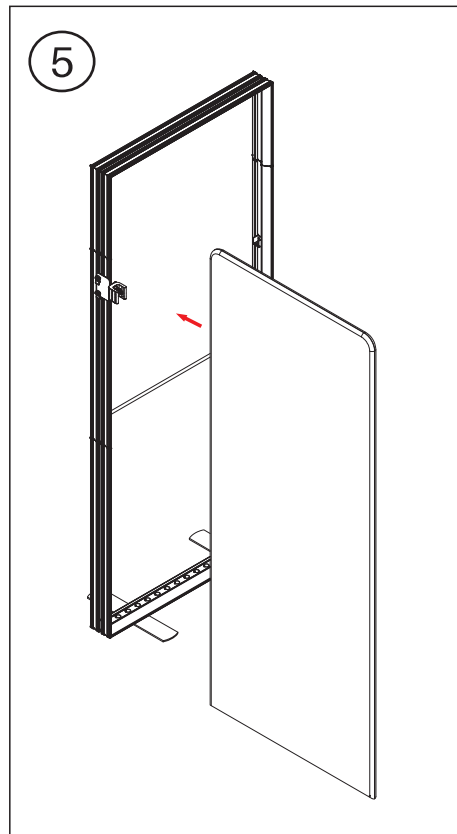
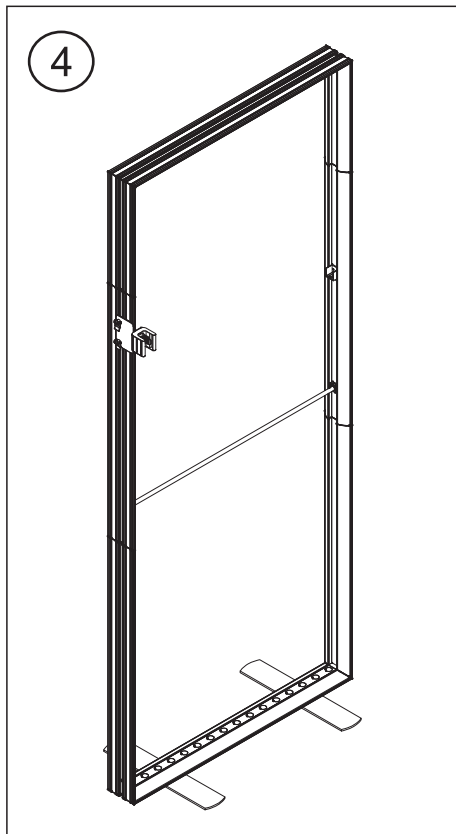
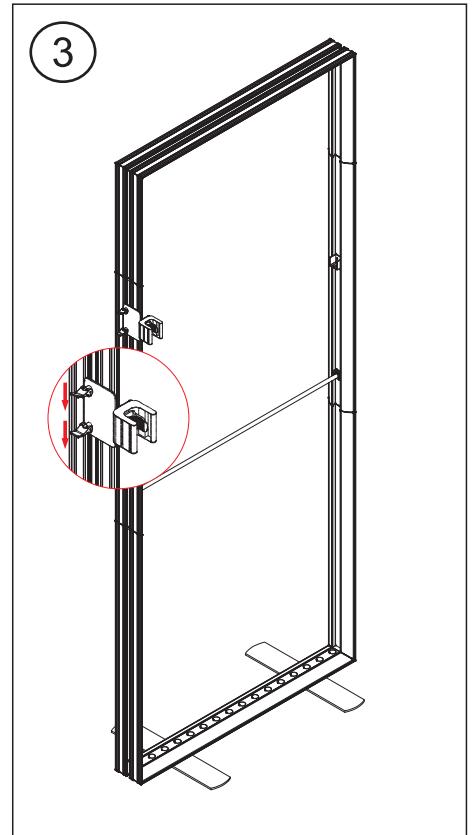
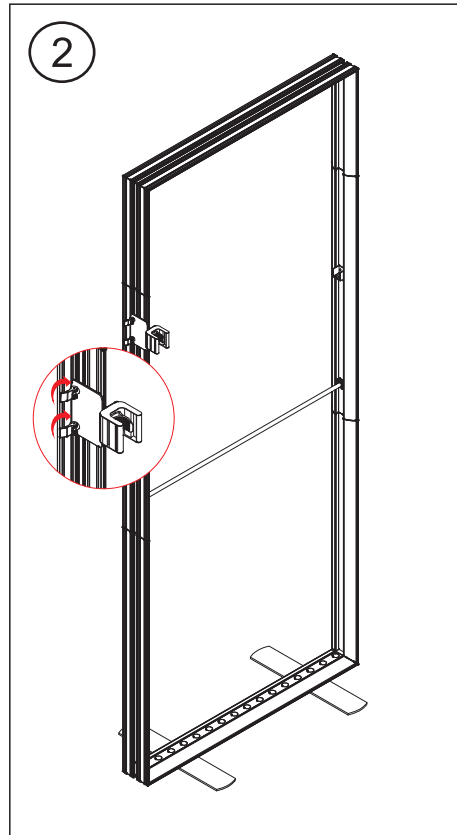
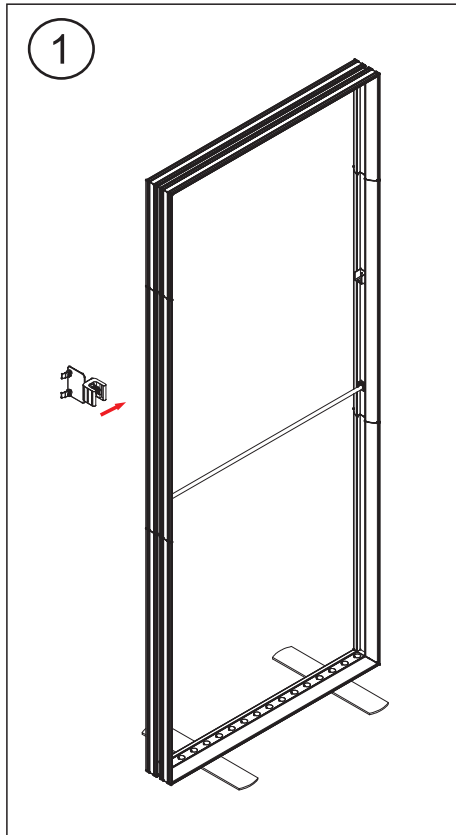
36" Waterfall	
Qty.	Part Number
2	WLM90 (A)
2	WLM90-1 (B)
2	WFA-H-1 (H1)
3	WLM-80 (80)
2	WLM-76 (76)
2	WLM35 (35)
2	WLM18 (18)
2	WLM23 (23)
1	WLM-CM90

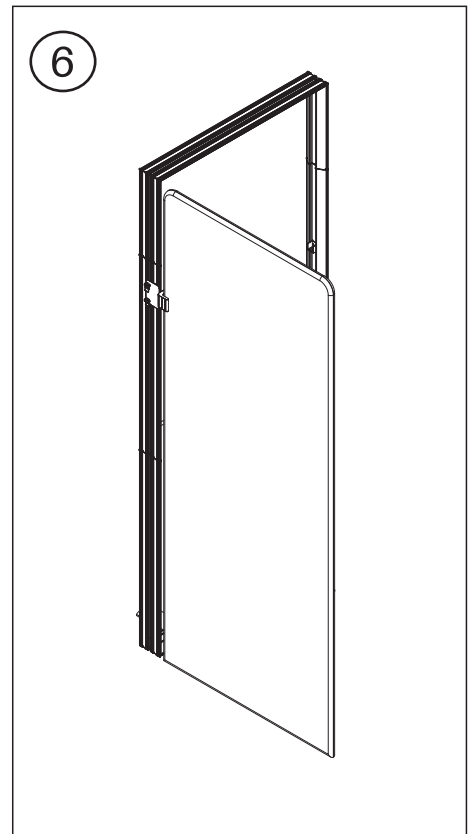
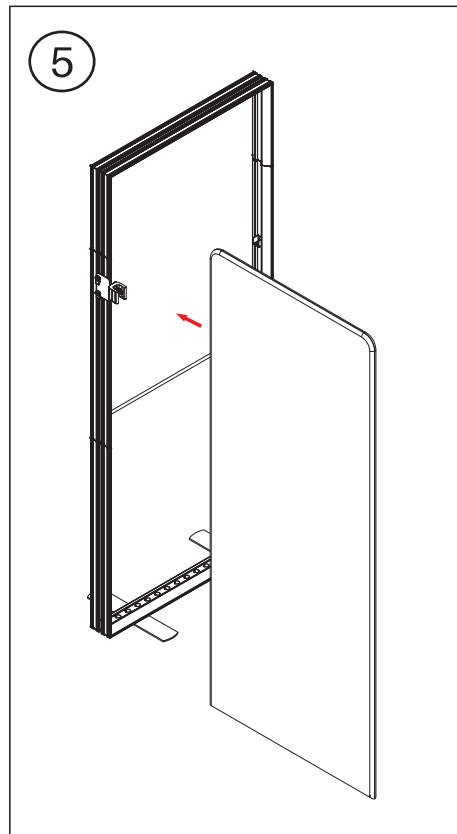
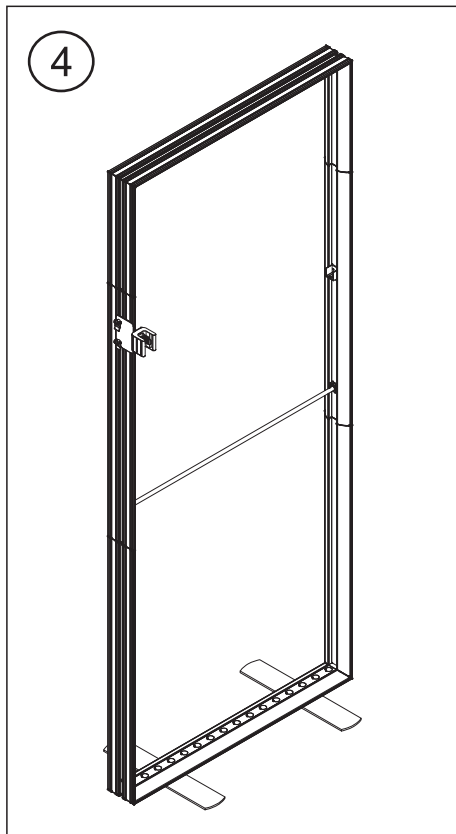
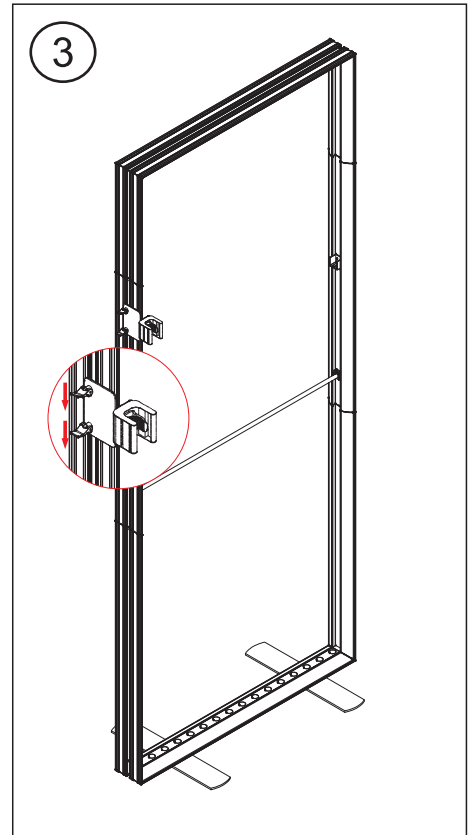
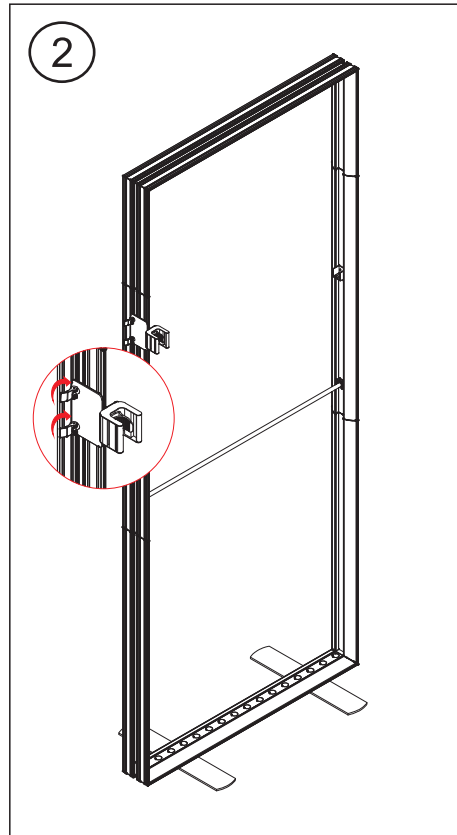
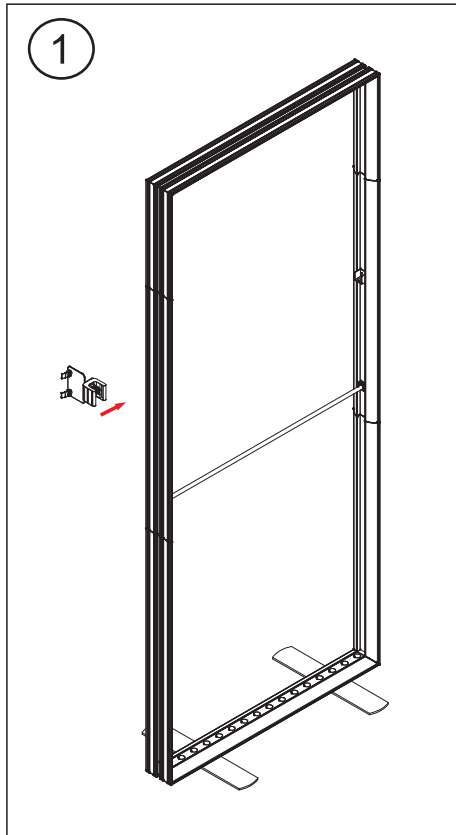


5. Shelves come semi assembled, make sure to level before tightening the clamp.

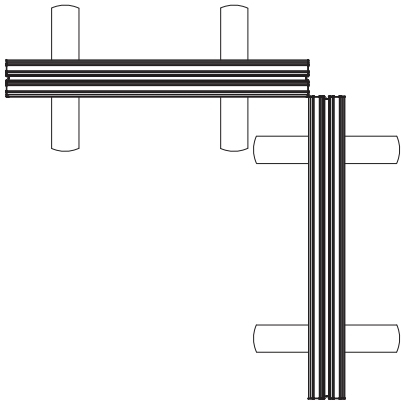


6. Enjoy!

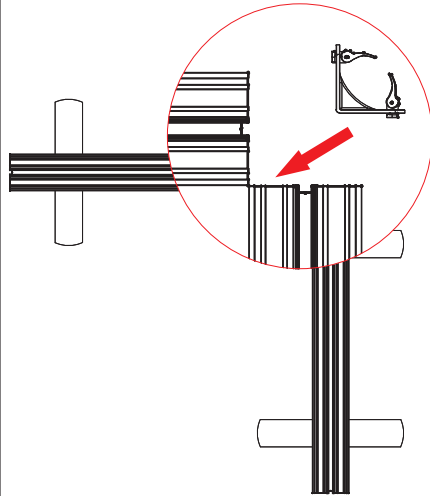




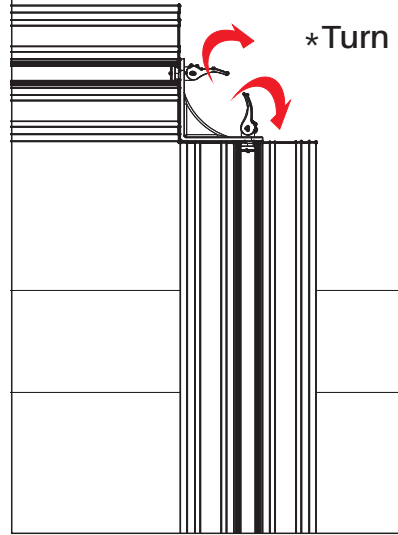
1 *Align frames at 90°



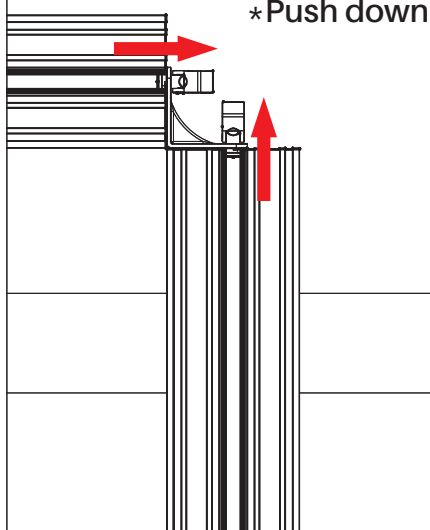
2 *Insert connector into channel



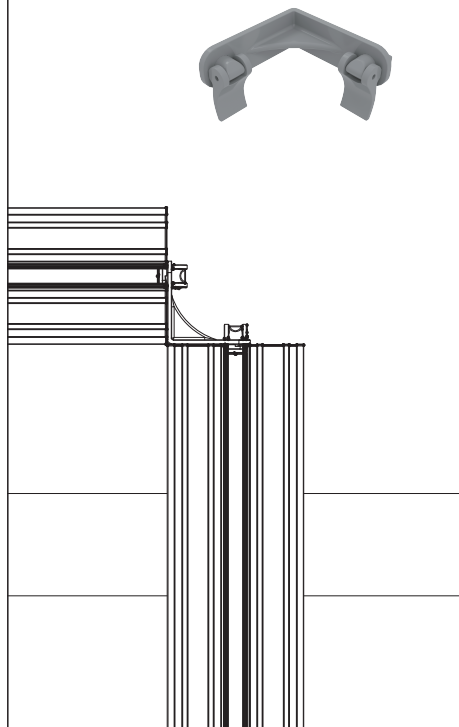
3 *Turn



4 *Push down



5 *Closed view



6

