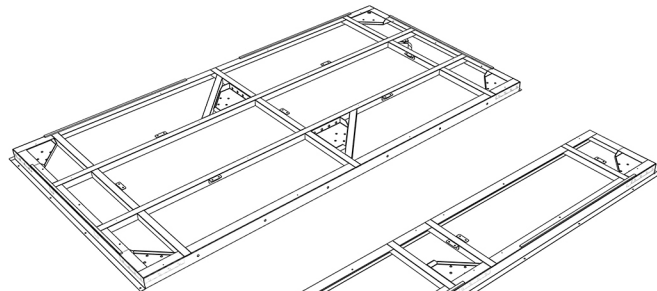


SOUNDPROOF BOOTH INSTALLATION INSTRUCTIONS

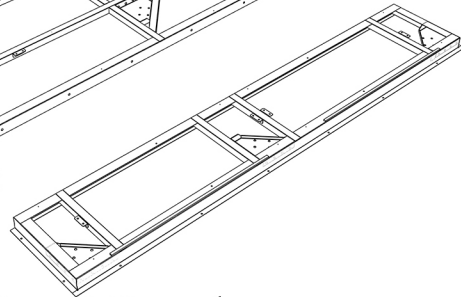
Model: L

DIMENSIONS: 2200x1500x2350mm

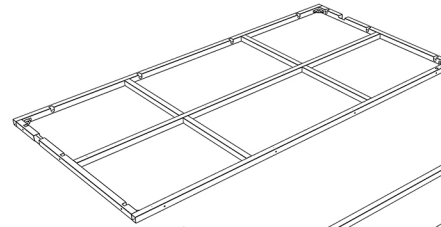
Accessories Details



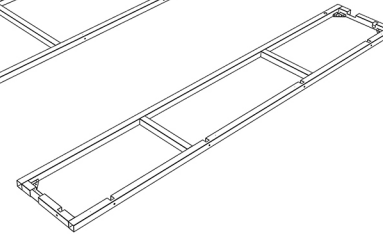
Bottom metal frame x1



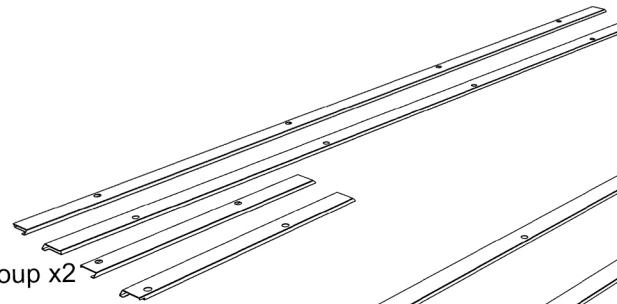
Bottom metal frame x1



Top metal frame x1



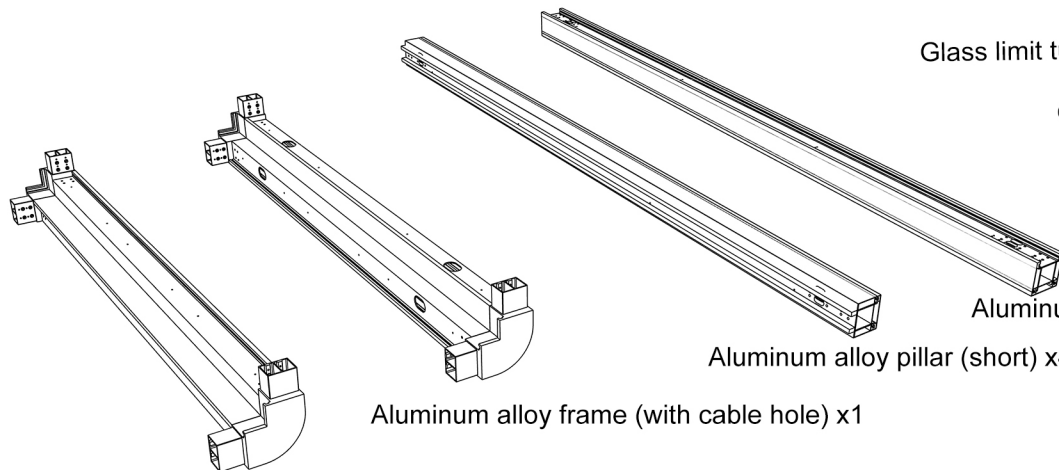
Top metal frame x1



Front glass limit tube group x2

Glass limit tube (long) x2

Glass limit tube (short) x2

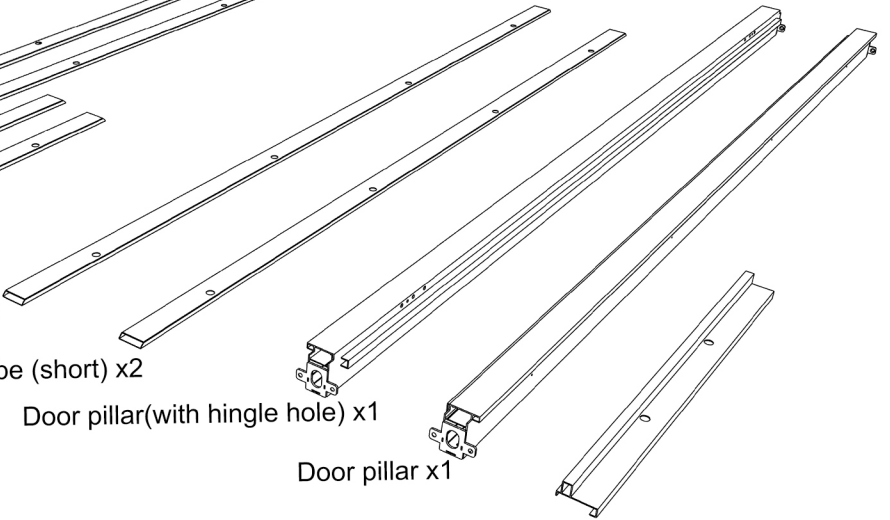


Aluminum alloy pillar (long) x4

Aluminum alloy pillar (short) x4

Aluminum alloy frame (with cable hole) x1

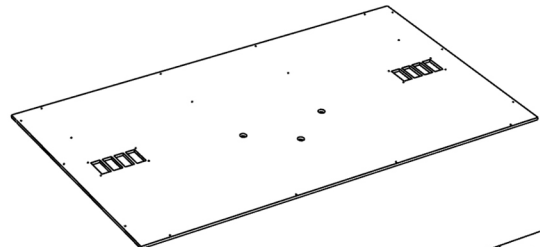
Aluminum alloy frame x3



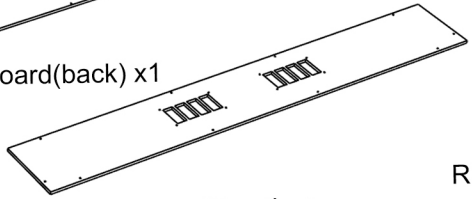
Door pillar (with hinge hole) x1

Door pillar x1

Door limit tube x2



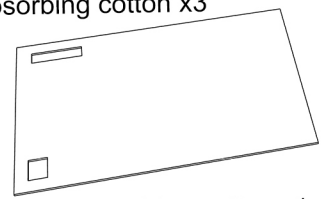
Top inner board(back) x1



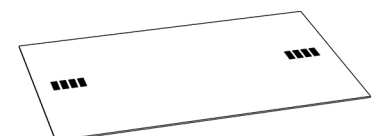
Top inner board(front) x1



Sound-absorbing cotton x3



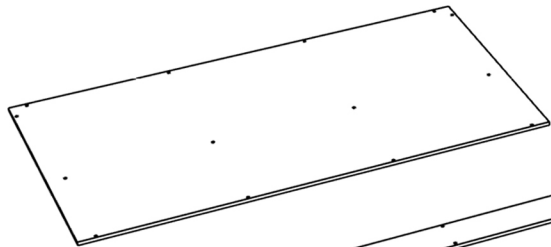
Right side sound absorbing cotton x1



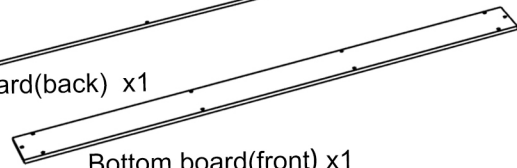
Top sound-absorbing cotton(back) x1



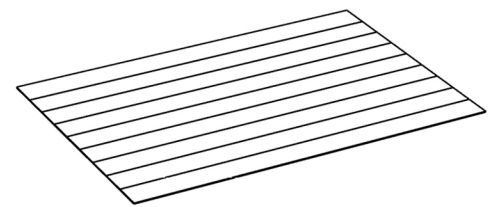
Top sound-absorbing cotton(front) x1



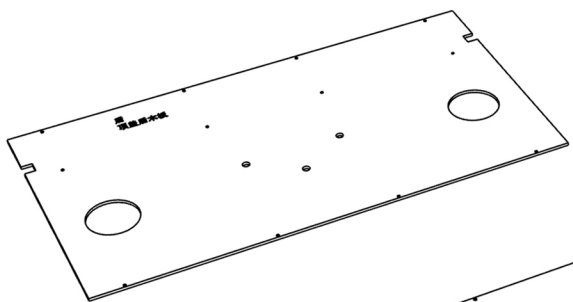
Bottom board(back) x1



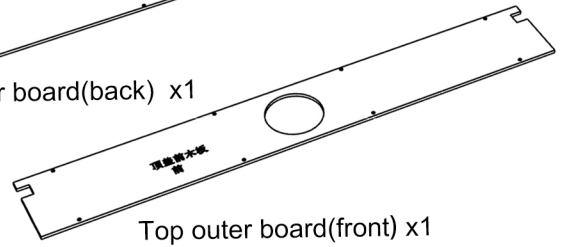
Bottom board(front) x1



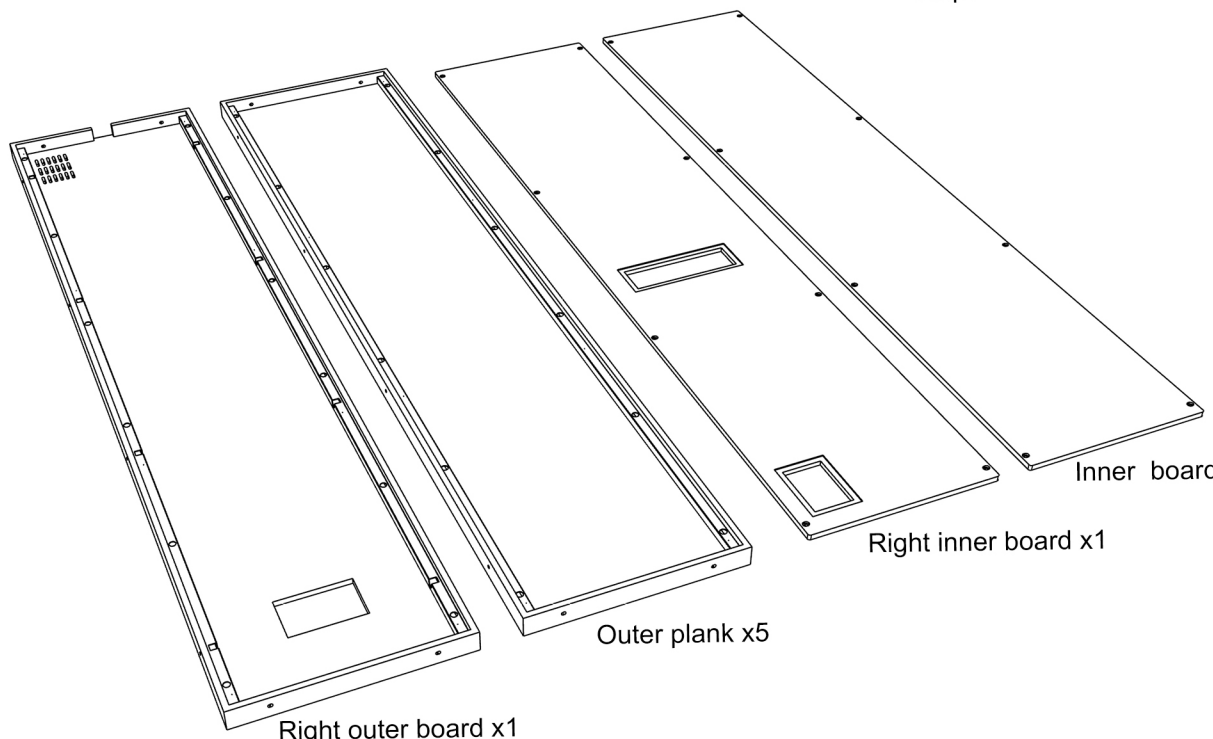
Carpet x1



Top outer board(back) x1



Top outer board(front) x1



Right outer board x1

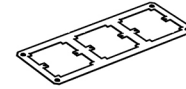
Outer plank x5

Inner board x5

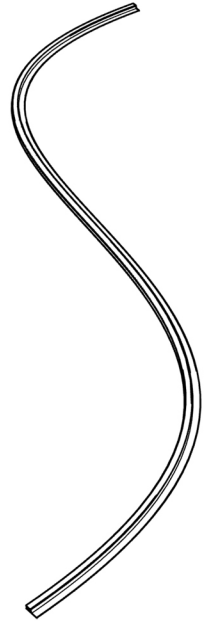
Right inner board x1



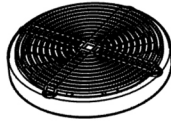
Air filter x1



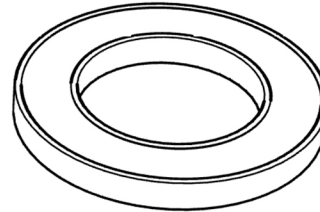
Socket bracket x1



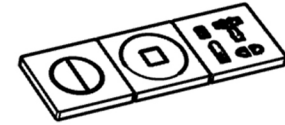
Rubber strip x1



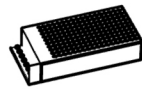
Exhaust fan x3



Ceiling light x1



Dual control switch x1 + network cable port x1 + five-hole socket with USB socket x1



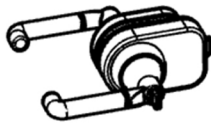
Transformer x1



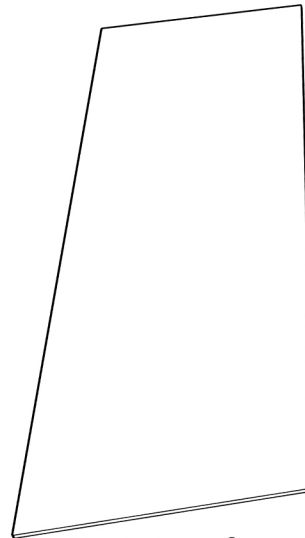
Power box x1



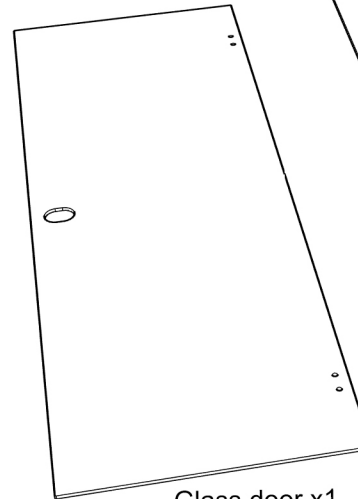
Hinge x2



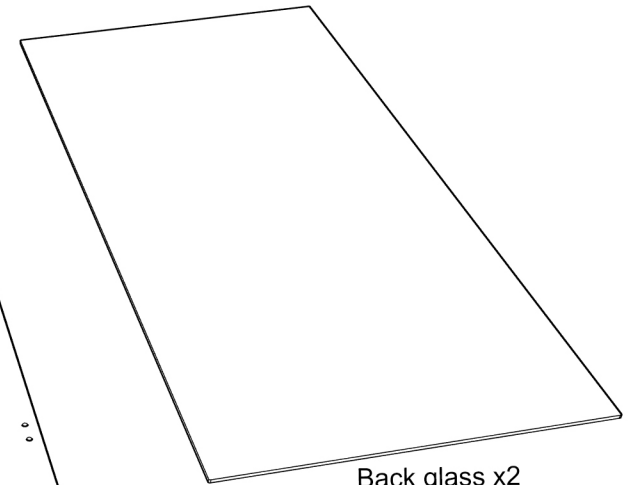
Door Lock x1



Front glass x2



Glass door x1



Back glass x2

Screw pattern specifications



M6X16 hexagon socket screw



M4x16 iron tapping screws



M4x8 countersunk screw



M4x45 large flat wood screws



M4X10 self-tapping large flat head Phillips screws



M4X8 large flat Phillips screws



M4x20 large flat screw



M4x25 wood self - tapping cross screw



M5x12 countersunk screw



M4x30 large flat screw



M6x16 countersunk screw

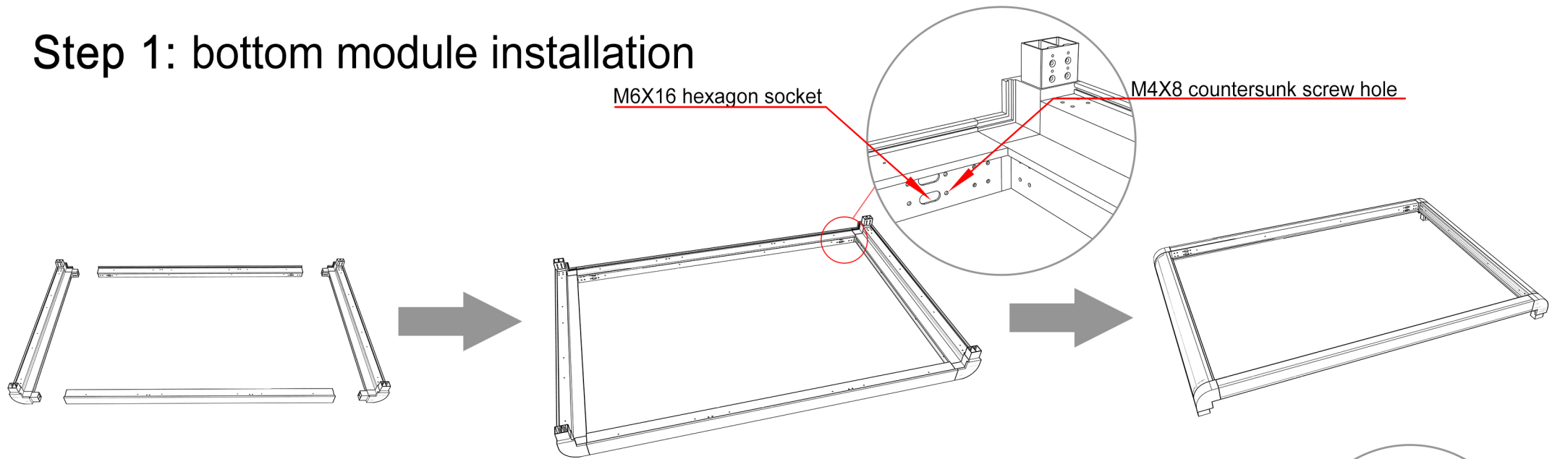
PREFACE

Thank you very much for your patronage and purchase the soundproof room of our company. In order to confirm the correctness of your installation, please understand the relevance of each product and accessory before proceeding with assembly.

Precautions to be read before assembling:

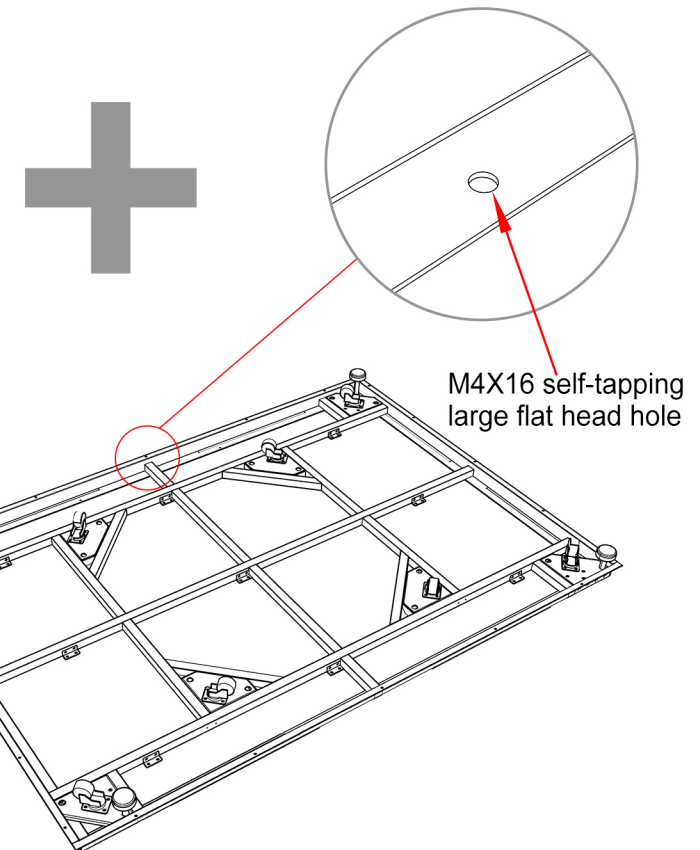
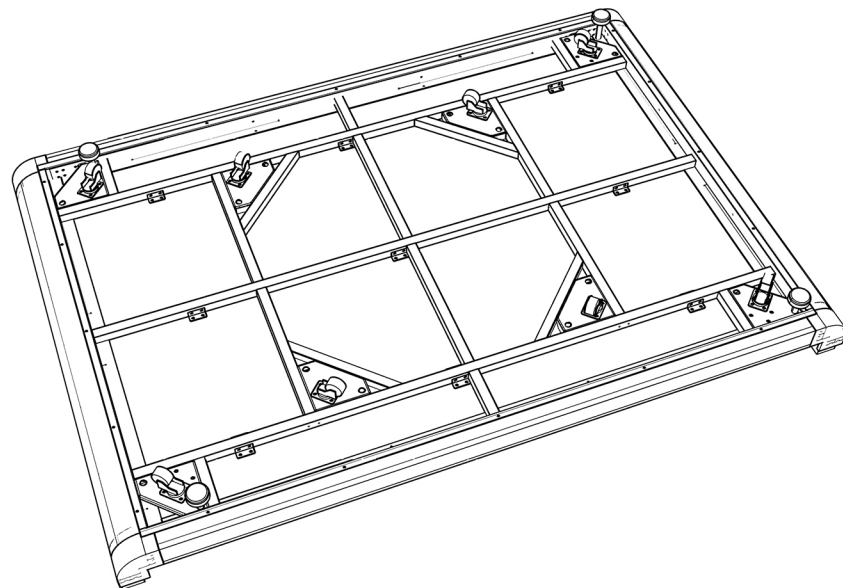
1. Please check whether the package is damaged before unpacking. If there is any damage, please contact customer service in time, and the customer service will discuss the responsible party with the logistics.
2. When unpacking, please pay attention to slowly peeling off the protective film layer by layer. Remember not to cut all the protective films at a speed, as this behavior will easily cause the metal parts and glass to fall directly.
3. After unpacking, please carefully check each part for wear, deformation, defects and other issues. If you have any problems, please contact customer service before installation. Contact customer service after installation to deal with wear and deformation problems, are not the seller's responsibility.
4. The metal parts are all parts with a certain weight. Please make sure that there is enough manpower to lift it in advance. Dragging will directly cause the metal parts to wear out and paint off.
5. The glass is tempered glass, please prepare gloves before handling, and lift it gently.
6. Inadvertent use, out-of-function use, improper repairs, our company is not responsible for any failures caused by force majeure factors such as natural disasters or customer self-reconstruction.
7. If due to the negligence of our company, when a shortage of spare parts is found, please contact customer service in time to explain the missing part model, and we will immediately send your missing parts to your designated address. If this causes any inconvenience, please forgive me and thank you for your cooperation.

Step 1: bottom module installation



1. Use M6X16 inner hexagon to lock first.
2. Install with M4X8 countersunk screws.

3. Flip the bottom frame.
4. Buckle the bottom frame upside down on the bottom frame and fasten it with M4X16 self-tapping screws.

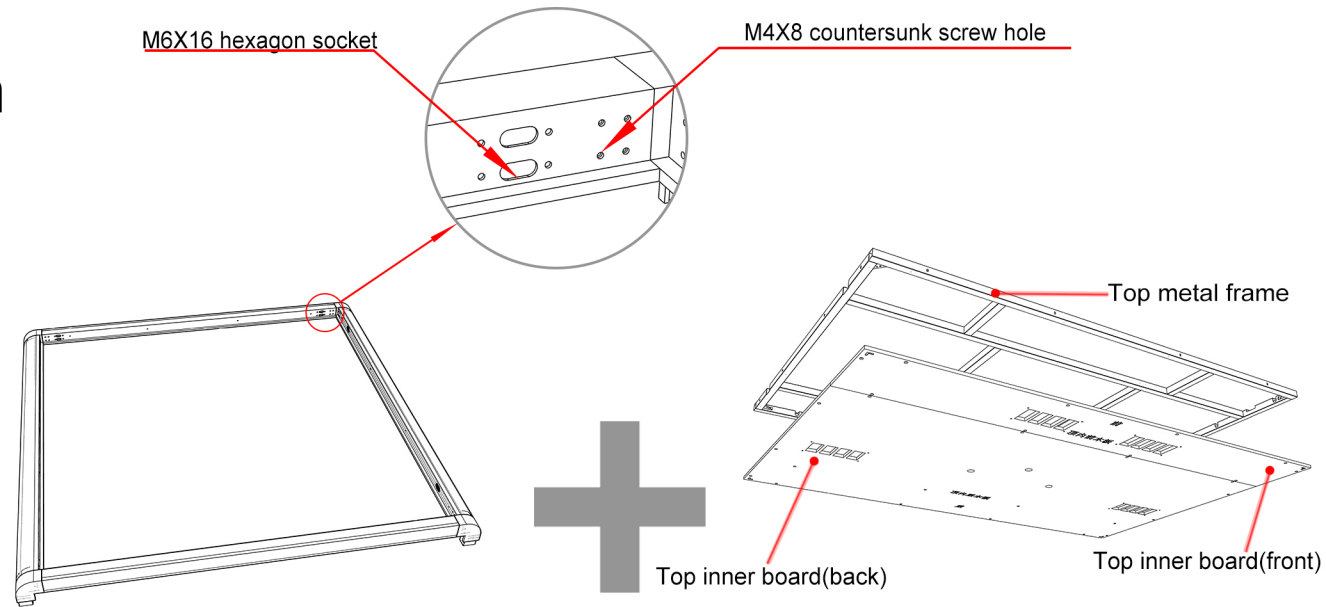
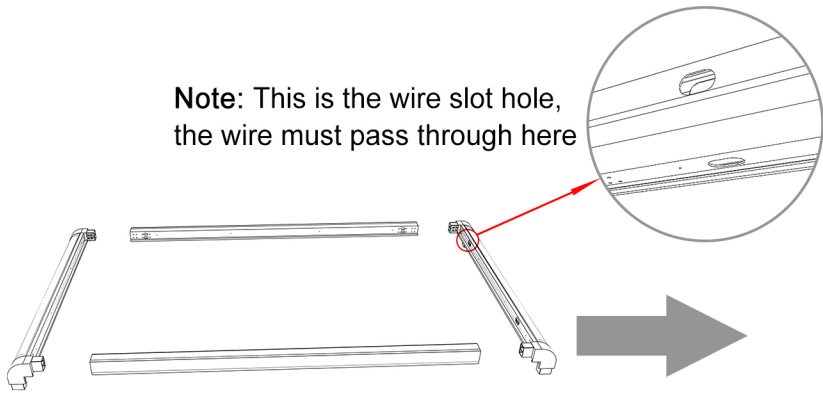


Mounting screw specifications:

- M6x16 hexagon socket (14 pcs)
- M4x8 countersunk head screws (16 pcs)
- M4x16 iron tapping screws (20 pcs)

Step 2: top module installation

Note: This is the wire slot hole, the wire must pass through here

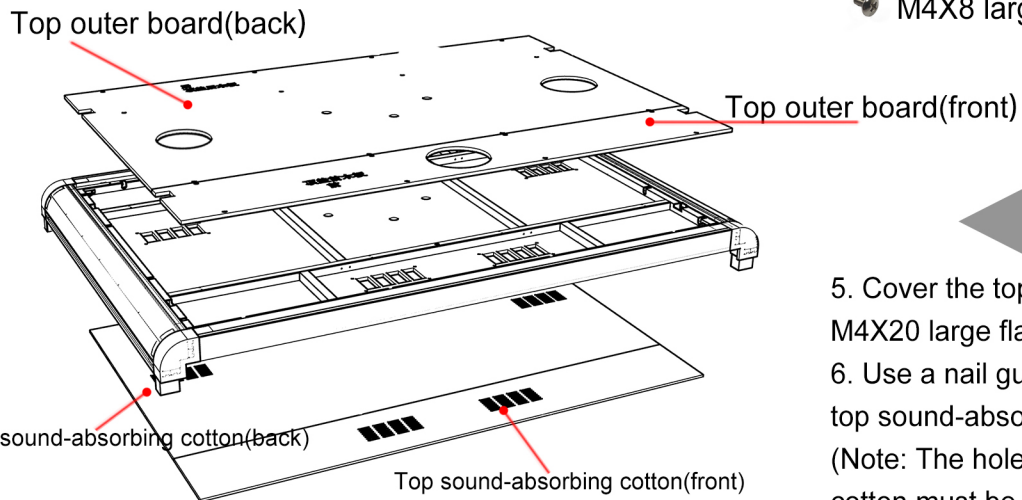


1. Use M6X16 inner hexagon to lock first.
2. Install with M4X8 countersunk screws.

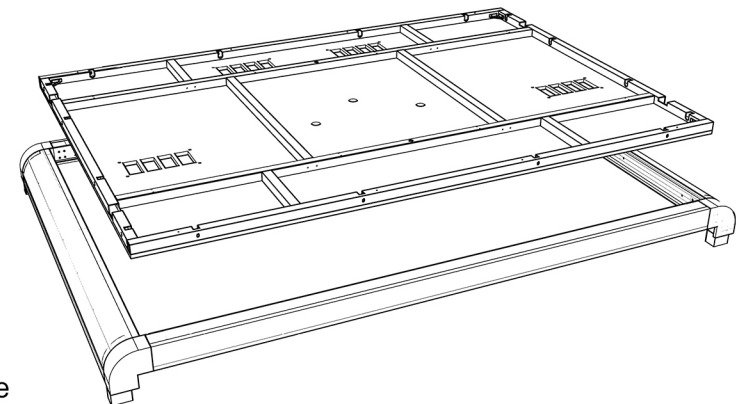
Mounting screw specifications:

- M6x16 hexagon socket (14 pcs)
- M4x8 countersunk head screws (16 pcs)
- M4X20 large flat Phillips screws (56 pcs)
- M4X8 large flat Phillips screws (16 pcs)

3. After the top frame is built, first tighten the inside of the top and the top frame with M4X20 large flat Phillips screws from the wooden board.
4. Use M4x8 large flat Phillips screws to lock the combination to the top frame.



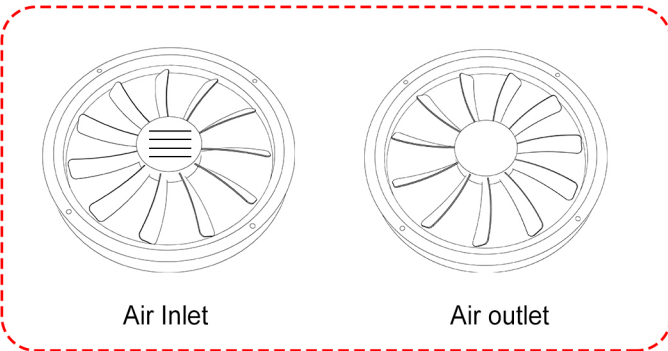
5. Cover the top board and lock it with M4X20 large flat Phillips screws.
6. Use a nail gun to nail two pieces of top sound-absorbing cotton separately (Note: The holes of the sound-absorbing cotton must be aligned with the holes of the wooden board, and the holes of the wooden boards on both sides of the inner and outer sides also need to be aligned).



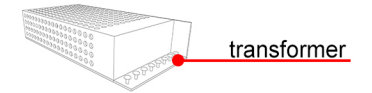
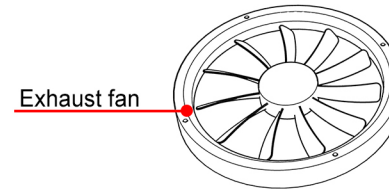
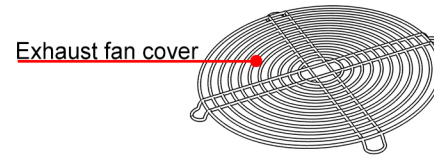
Step 2: top module installation

Mounting screw specifications:

- ✎ M4x45 large flat wood screws (12 pcs)
- 🔩 M4x10 wood tapping screws (2 pcs)

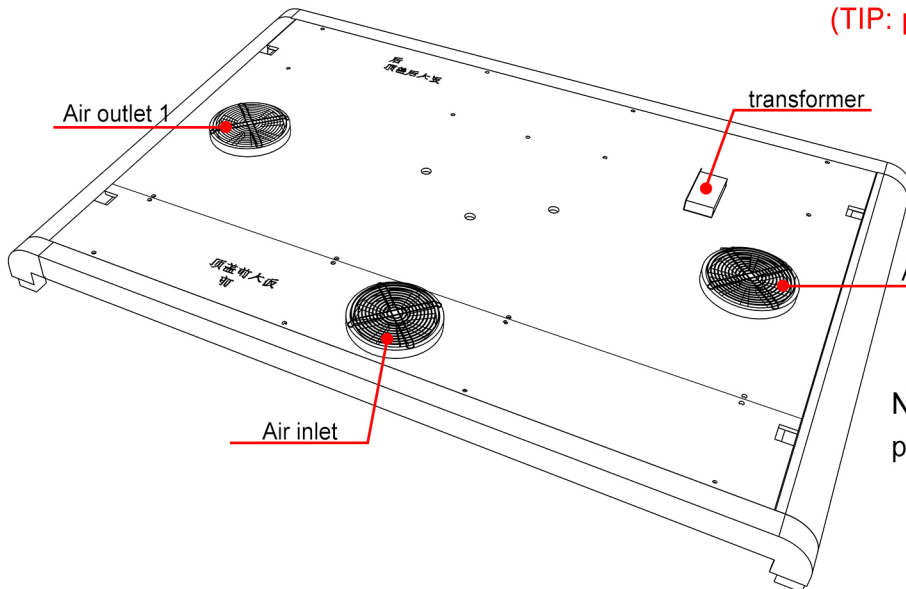
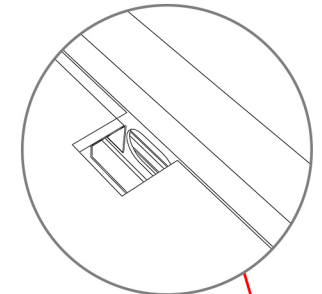


Note: The sticker facing up is the air inlet, and the sticker facing down is the air outlet.

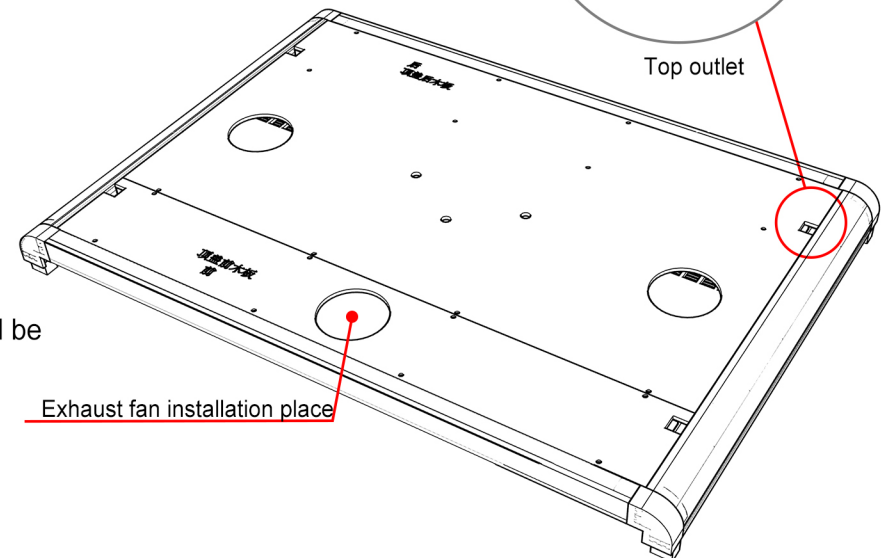


1. Put the exhaust fan and exhaust fan cover into the designated position, and lock it with M4X45 large flat screws (Note: the exhaust fan at the air inlet and outlet must be placed correspondingly according to the schematic diagram).
2. Place the transformer, use M4X10 tapping wood tapping screws to lock the transformer to the top frame.
3. After installation, connect the digital labels on the wires one by one.

(TIP: please do not disassemble the wrapped wires at will)






Note: the transformer should be placed near the top outlet



Step 3: install the column

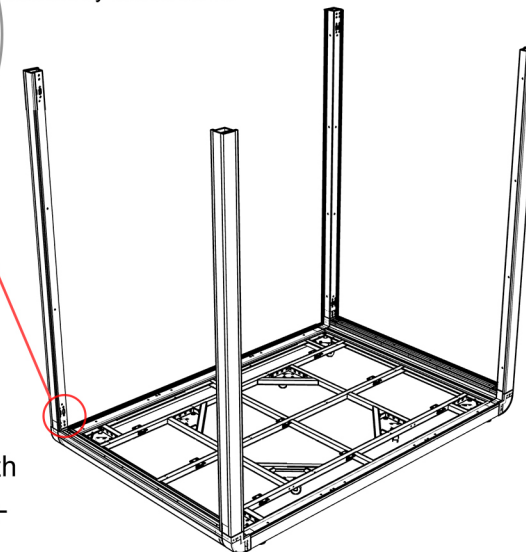
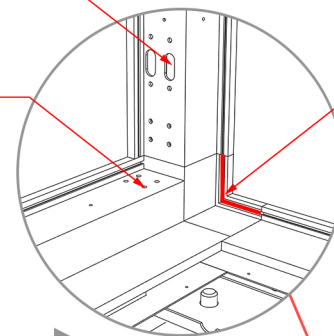
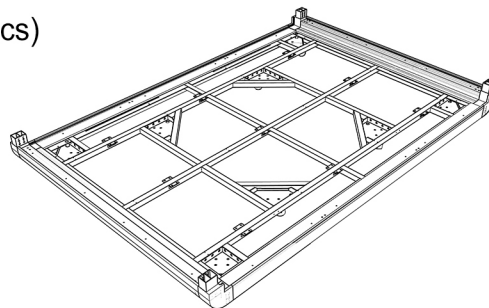
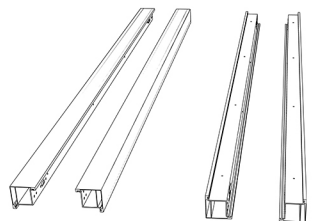
Mounting screw specifications:

-  M6x16 hexagon socket (16 pcs)
-  M4x8 countersunk head screws (32 pcs)
-  M4x20 large flat head Phillips screws (24 pcs)

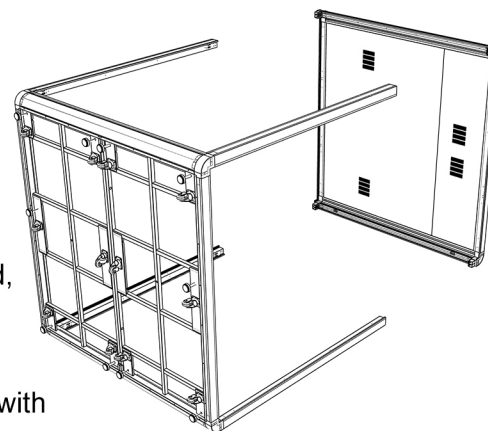
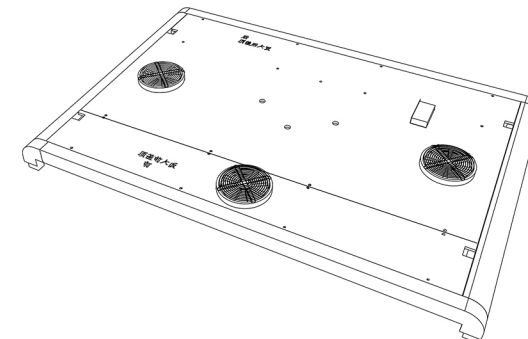
M6x16 hexagon socket screw

M4X8 countersunk screw hole

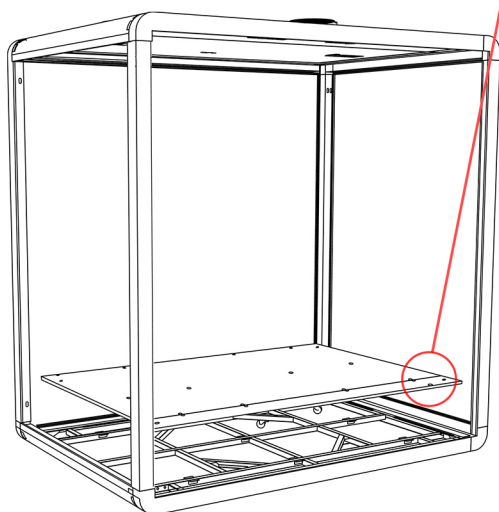
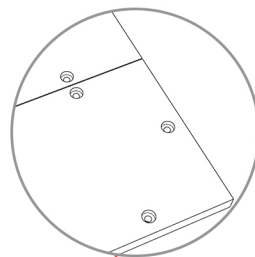
The adhesive strips on the four corners must be affixed by themselves




1. First lock the column and the bottom module with M6x16 hexagon socket, and then install with M4X8 countersunk head screws.
2. After the construction is completed, tilt it down.
3. First splice the column with the top module, lock it with M4X8 countersunk screws.

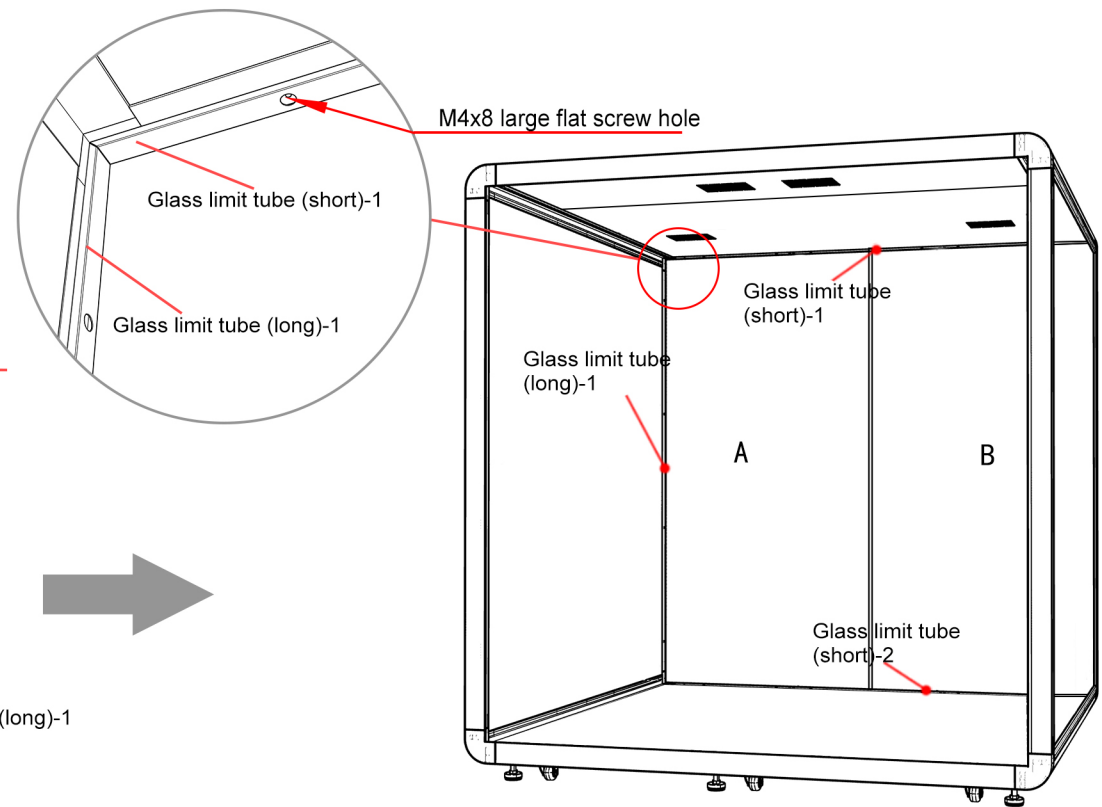
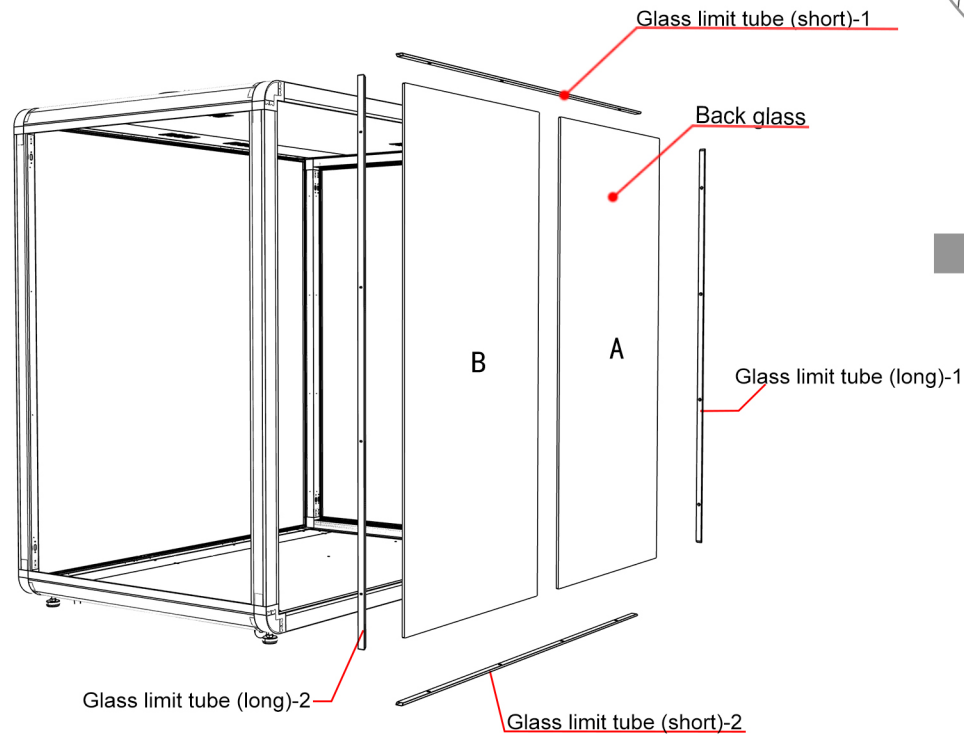


4. After the three are assembled, straighten the frame.
5. Put the bottom board into the designated slot first, and lock it with M4X20 large flat head Phillips screws.

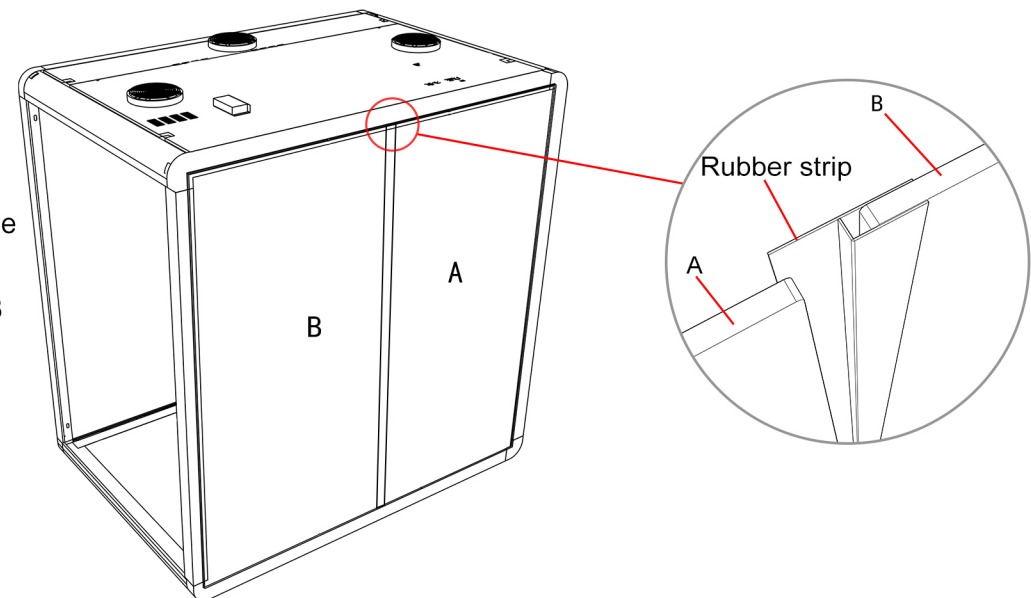


Step 4: rear glass installation

 **Mounting screw specifications:**
M4x8 large flat screws (16 pcs)





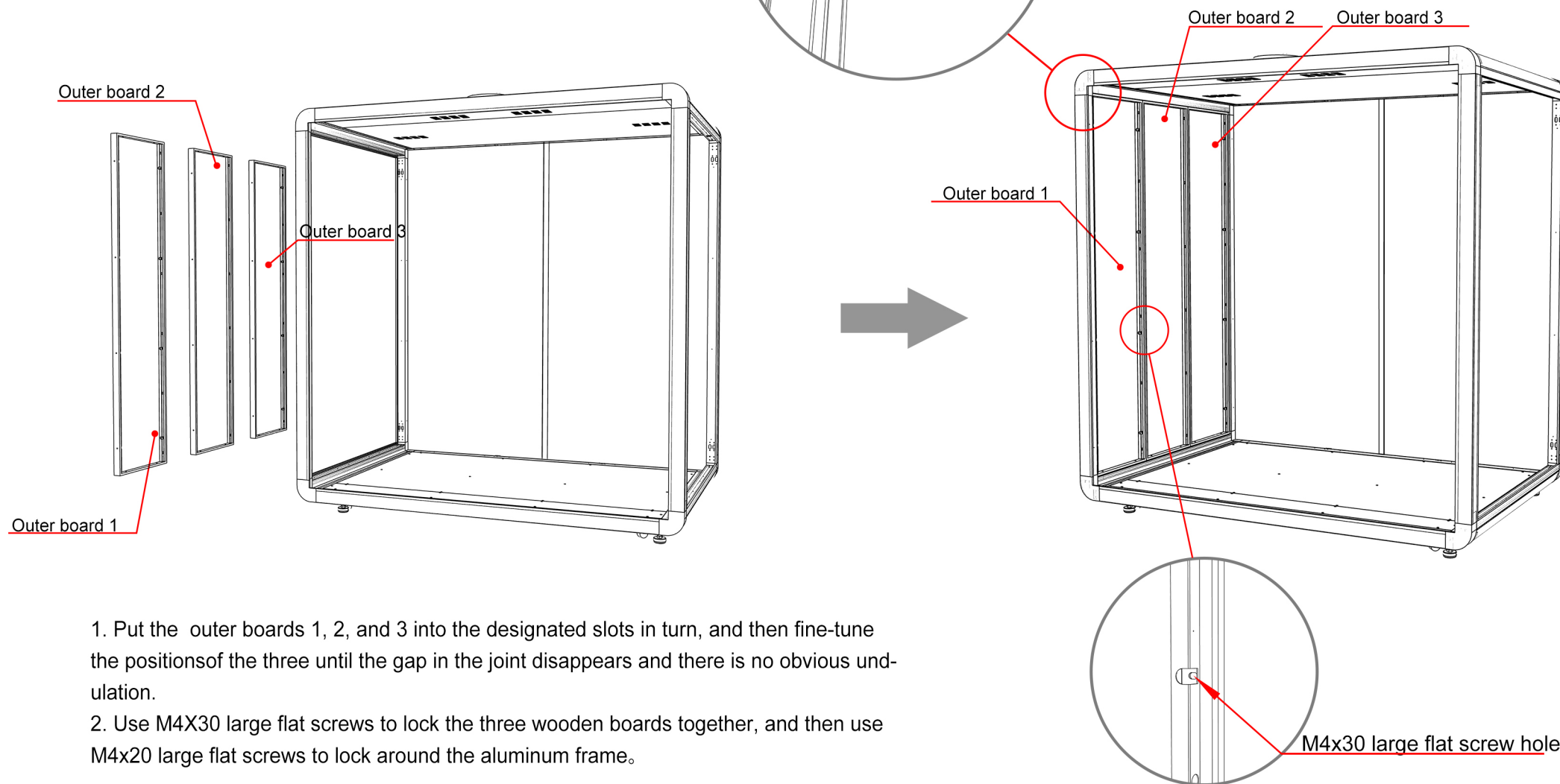
1. When installing the glass, put the glass A into the designated position first, then find the corresponding *glass limit tube (long)-1/2* to limit it, and fasten it with M4X8 flat screws.
2. Put the *rubber strip* on the junction of the two pieces of glass, and then put the glass B into the designated position, use the suction cup to fine-tune the positions of the glass A and B, and move closer to the middle until the gap between the two disappears.
3. Find the corresponding *glass limit tube (short)-1/2* to limit it, M4X8 large flat Tighten the screws (Note: the sides with silk-screen texture are all facing inwards).



Step 5: wood board installation-outer board (left)

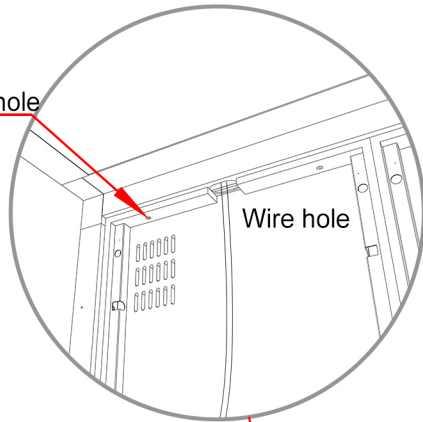
Mounting screw specifications:

-  M4X20 large flat screws (20 pcs)
-  M4X30 large flat screws (8 pcs)






Step 6: wood board installation-outer board (right)

M4x20 large flat screw hole

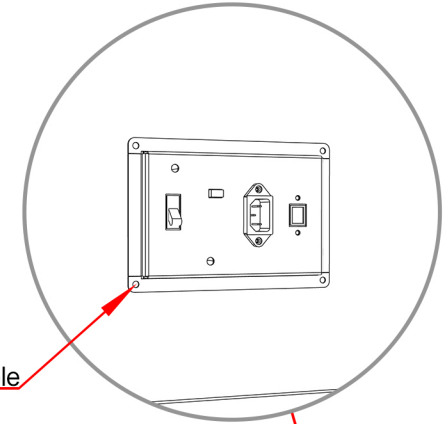


Wire hole

Mounting screw specifications:

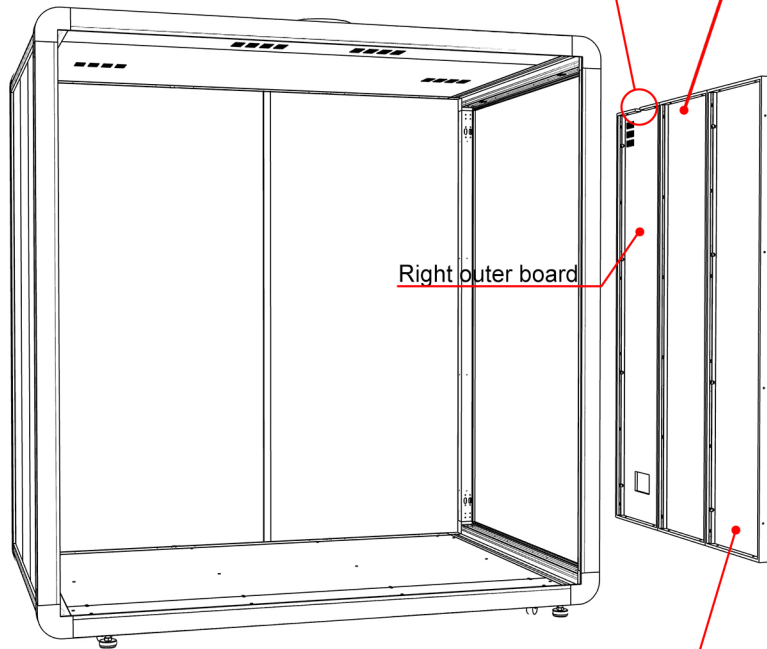
-  M4X20 large flat screws (20 pcs)
-  M4X30 large flat screws (8 pcs)
-  M4X10 hitting wood self-tapping Phillips screws (4 pcs)

M4x10 tapping wood tapping Phillips screw hole



Note: The wire is threaded from here on the right board

Outer board 5



Right outer board

Outer board 4

Power box

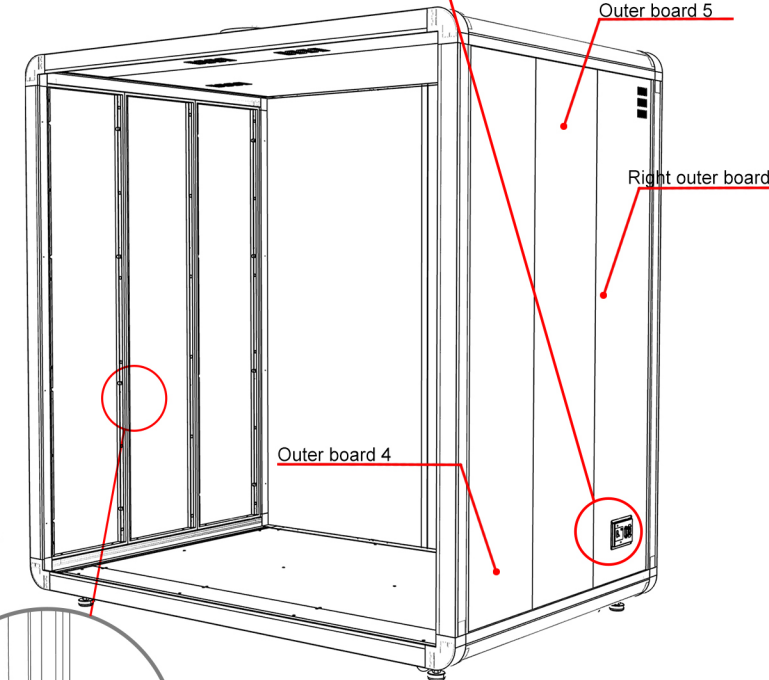


1. Put the right outer boards 1, 2, and 3 into the designated slots in turn, first use M4x30 large flat screws to lock the three boards together, and then use M4X20 large flat screws to lock around the aluminum frame.
2. Use M4x10 tapping wood tapping screws to lock the power supply box in the designated slot.

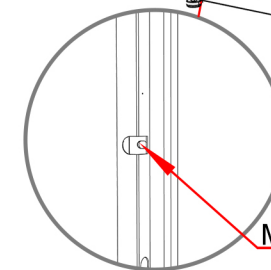
Outer board 5

Right outer board

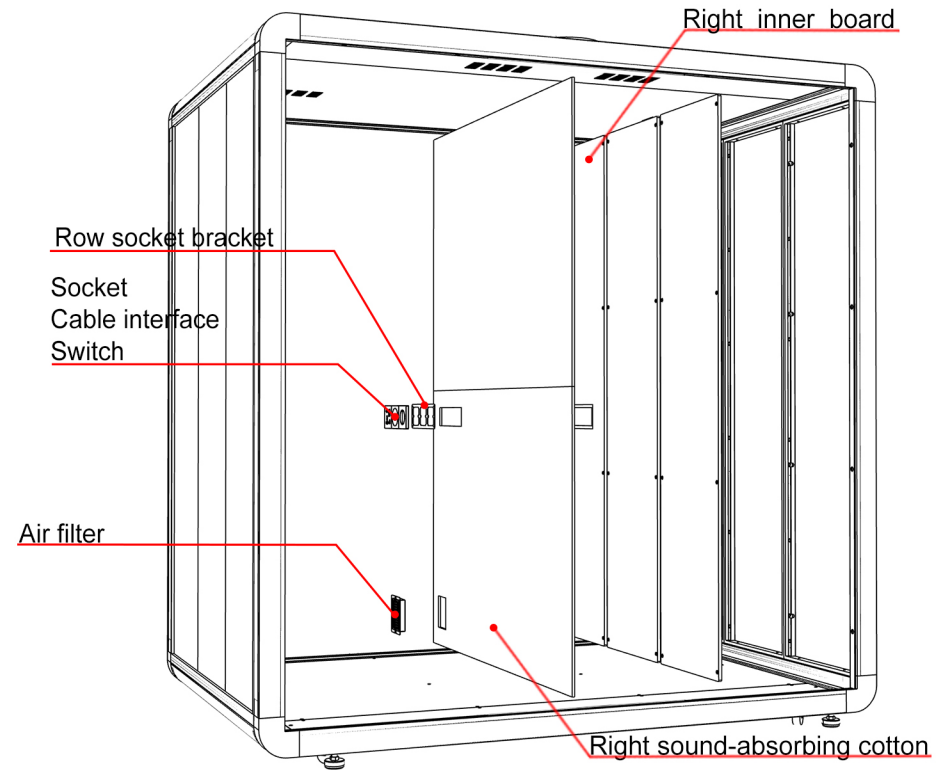
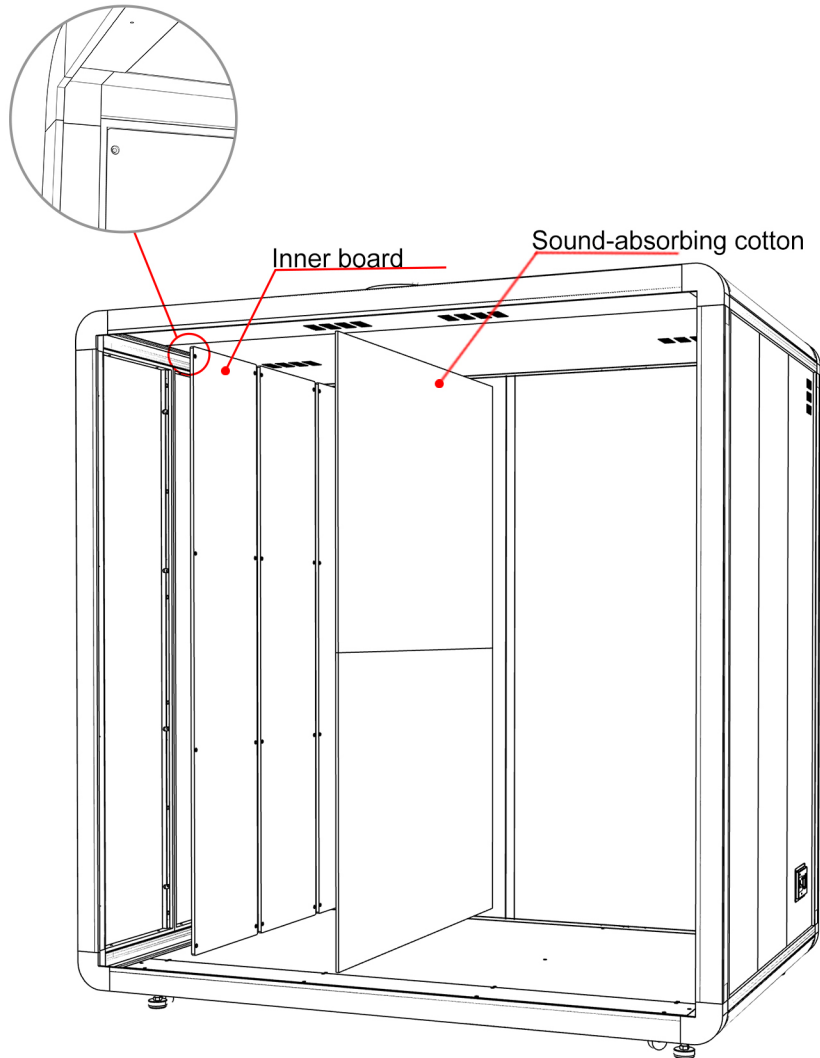
Outer board 4





M4x30 large flat screw hole



Step 7: wood board installation-inner board



Mounting screw specifications:

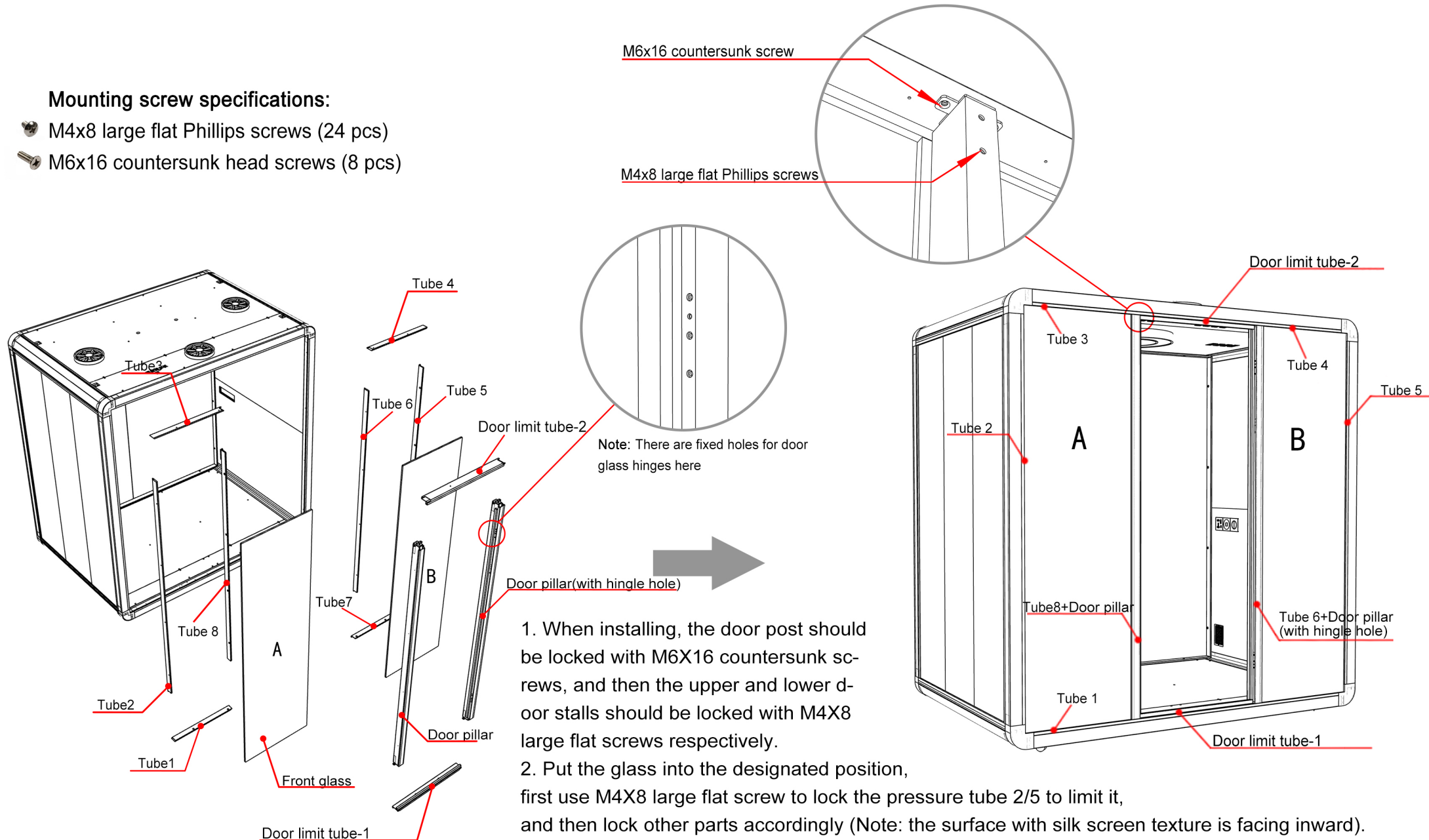
-  M4x20 large flat screws (48 pcs)
-  M4x25 wood tapping screws (2 pcs)

1. First cover the left and right inner boards, lock them with M4x20 large flat screws, and then nail the sound-absorbing cotton separately (Note: After the right inner panel is installed and locked, first fix the power strip bracket, then nail the sound-absorbing cotton, and finally wire the corresponding port).
2. Use M4x25 wood tapping screws to lock the air filter in the designated slot.

Step 8: glass installation on the front side of the door

Mounting screw specifications:

- 🔩 M4x8 large flat Phillips screws (24 pcs)
- 🔩 M6x16 countersunk head screws (8 pcs)

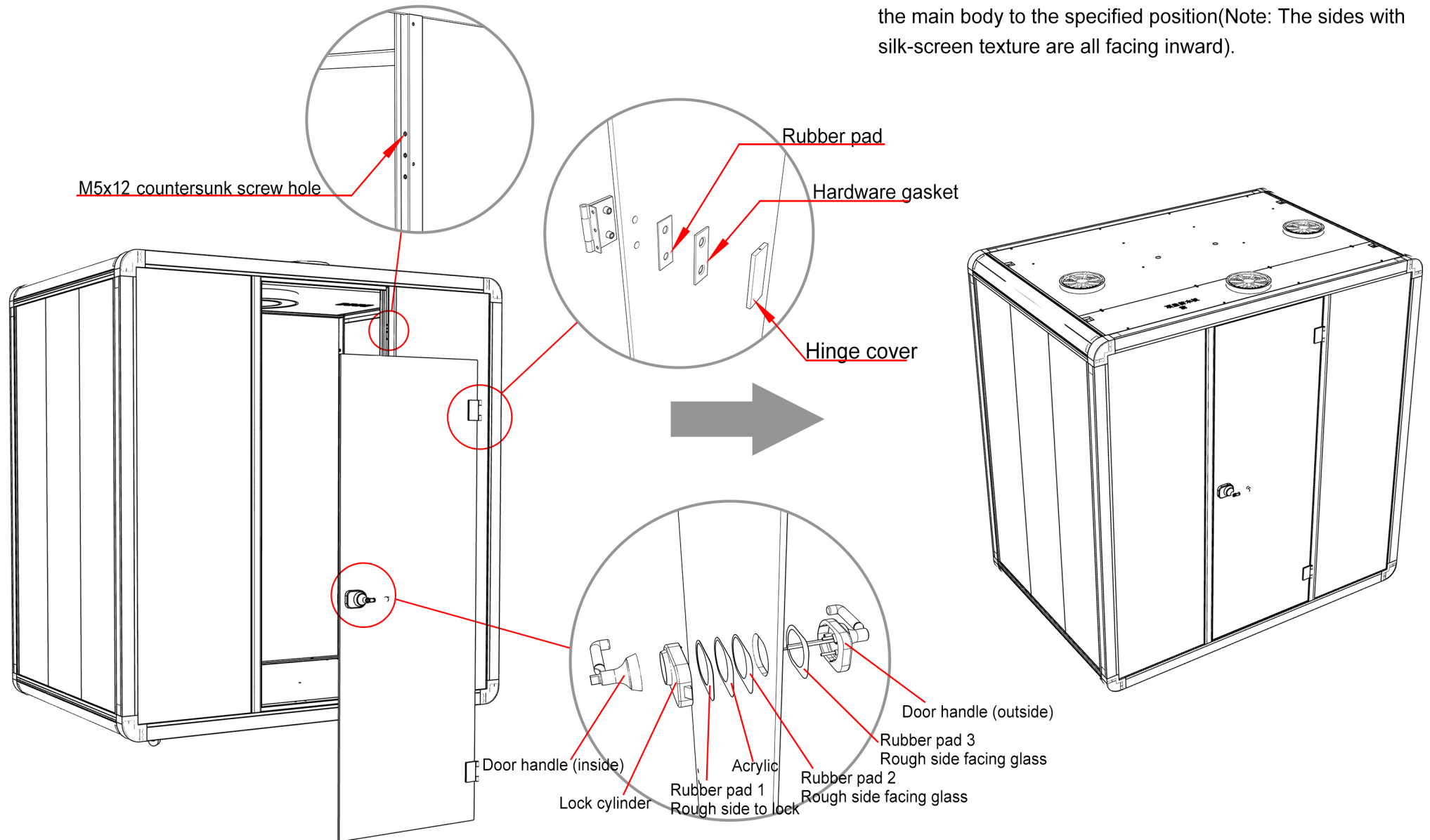


Step 9: door glass installation

Mounting screw specifications:

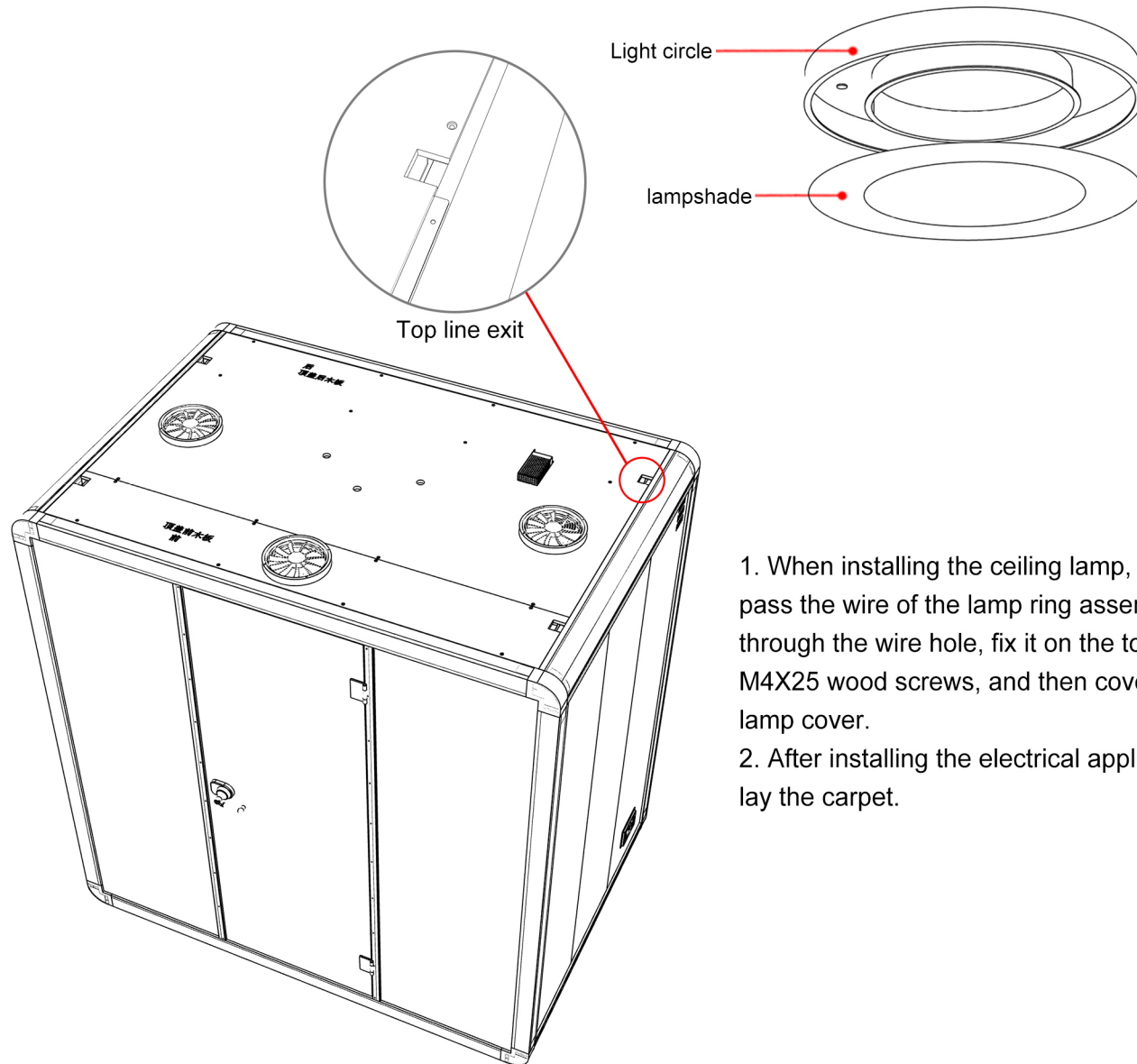
🔩 M5x12 countersunk head screws (6 pcs)

1. Before installing the door glass, put the pressure tube and the door stop into the designated position. Lock with M4x8.
2. Disassemble the hinge and handle first, and then assemble them (Note: as shown in the figure) Shown).
3. Use M5x12 countersunk screws to lock the door glass and the main body to the specified position (Note: The sides with silk-screen texture are all facing inward).



Step 10: electrical installation

Mounting screw specifications:
🔩 M4x25 punching wood self-tapping
Phillips screws (3 pcs)



1. When installing the ceiling lamp, first pass the wire of the lamp ring assembly through the wire hole, fix it on the top with M4X25 wood screws, and then cover the lamp cover.
2. After installing the electrical appliances, lay the carpet.

