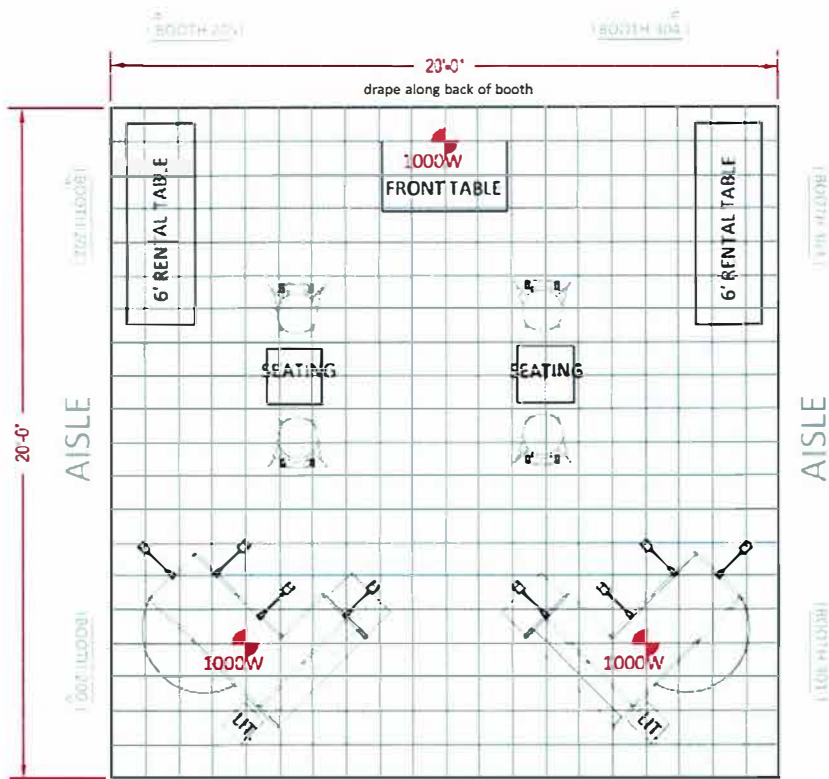


booth components for a 20' x 20' booth orientation.



FLOOR PLAN

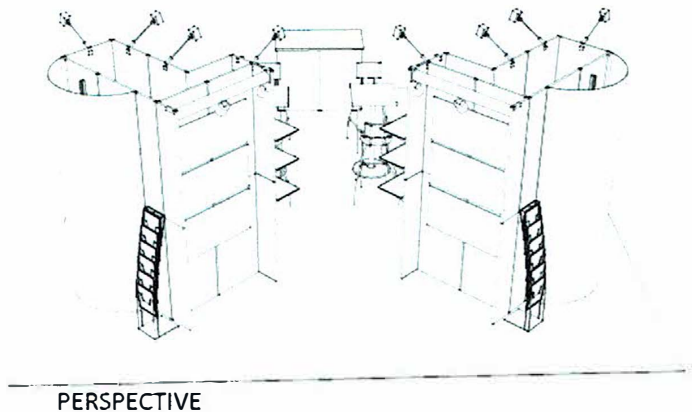
AISLE

Orientation:

105	204
103	202
101	200

205	304
-----	-----

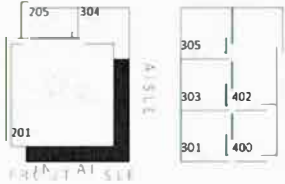
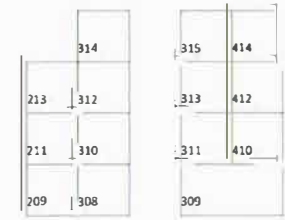
305	400
303	402
301	400



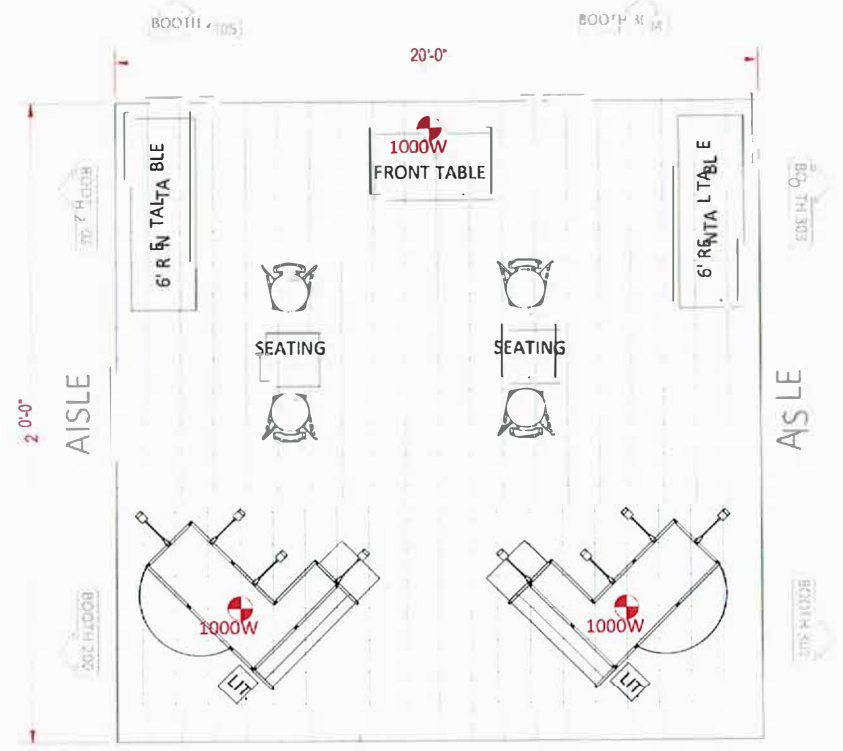
PERSPECTIVE



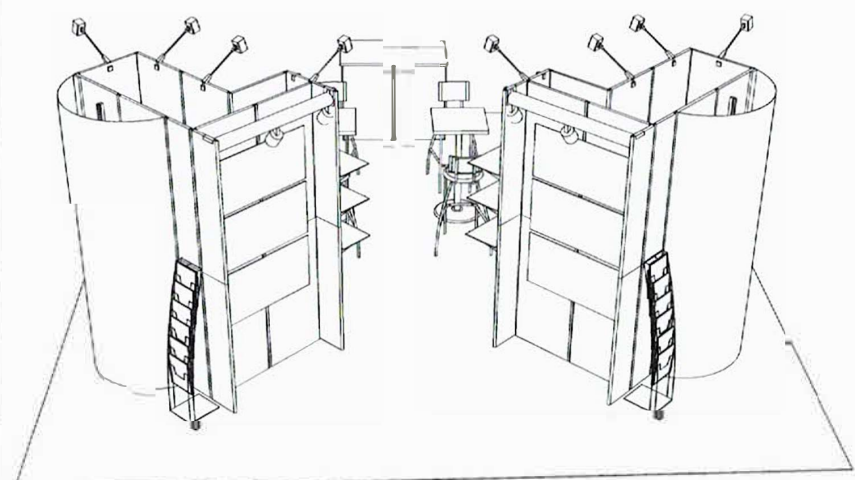
PROJECT NAME: [Illegible]
 PROJECT NUMBER: [Illegible]
 PROJECT DATE: [Illegible]



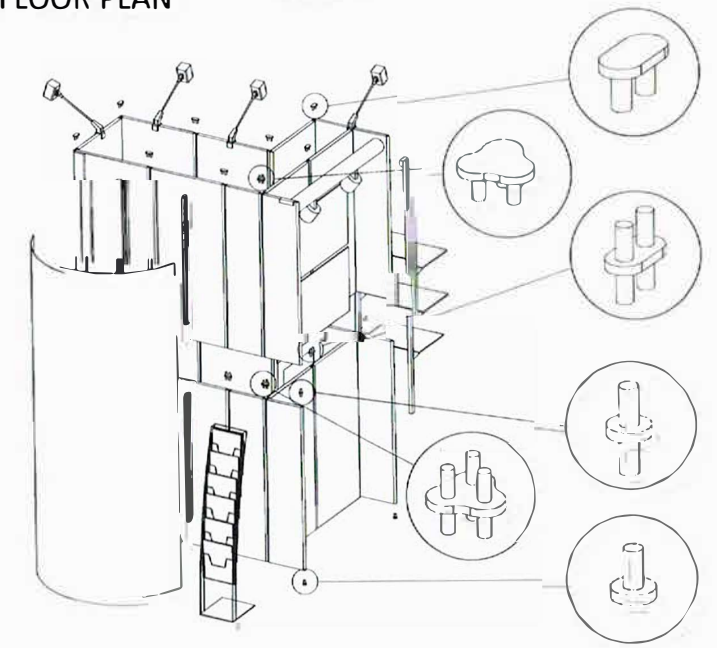
SITE PLAN



FLOOR PLAN



PERSPECTIVE



ISSUE DATE:	MAY 23-24, 2023
BOOTH NUMBER:	201
BOOTH SIZE:	20' X 20'
ARCHITECT:	ANNE T.
ENGINEER:	DAVE F.
DETAILER:	MJK
REVISION:	04.18.2023
SCALE:	N/A
CALCULATED BY:	SITE ASSEMBLY
DATE:	02.2 123
REVISION:	REV



Booth oriented to face the prominent/front aisle.





Packing List

No

Crate #	Qty	Contents	RTS	M	Dimensions	Weight
1	1	Knockdown Table & Top			52 x 53 x 102	1,380
		Clamp Arm Lights				
	8	Track Lights				
	2	Shelf Standards				
	4	Shelf Brackets with Spares				
	12	Fluorescent Light Fixtures with Spare Bulbs				
	8	Track Light Fixtures				
	2	Shelves				
	8	Stiffeners				
	4	System Fabric Panels (16 Small - 32 Large - 6 Counter - 2				
	56	Spare) Spare Bulbs				
		Connectors & Keys				