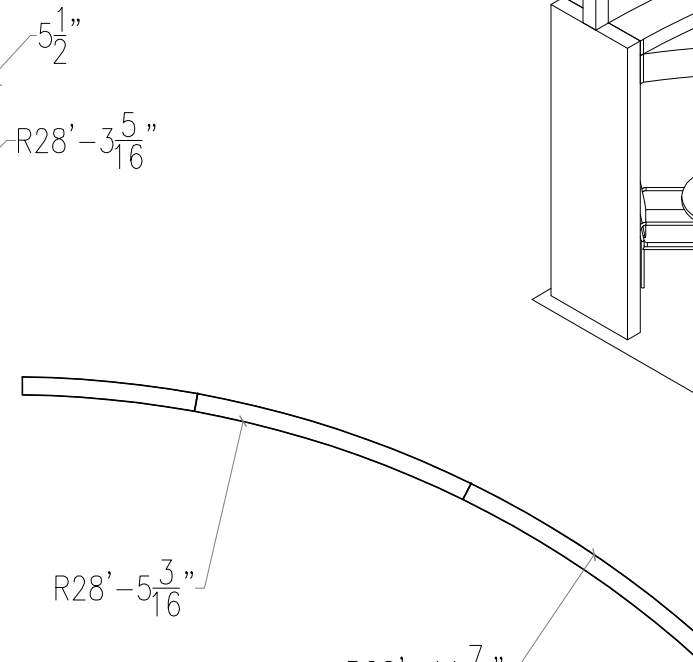
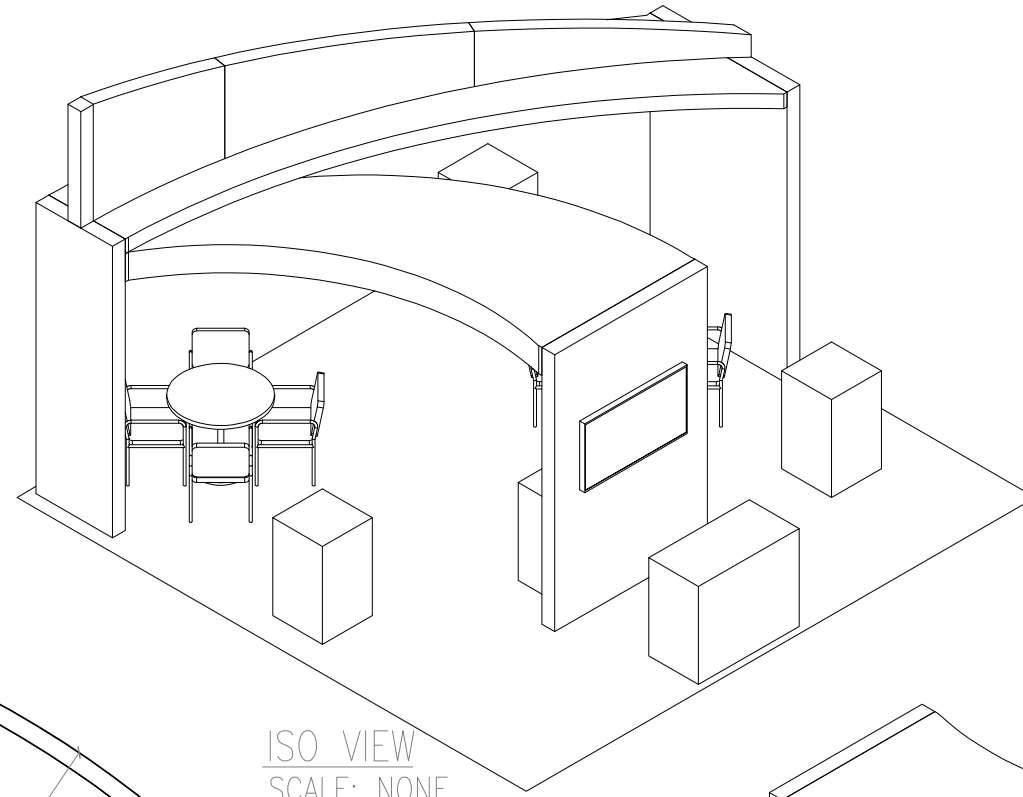


TOP VIEW
SCALE: 3/16"=1'-0"

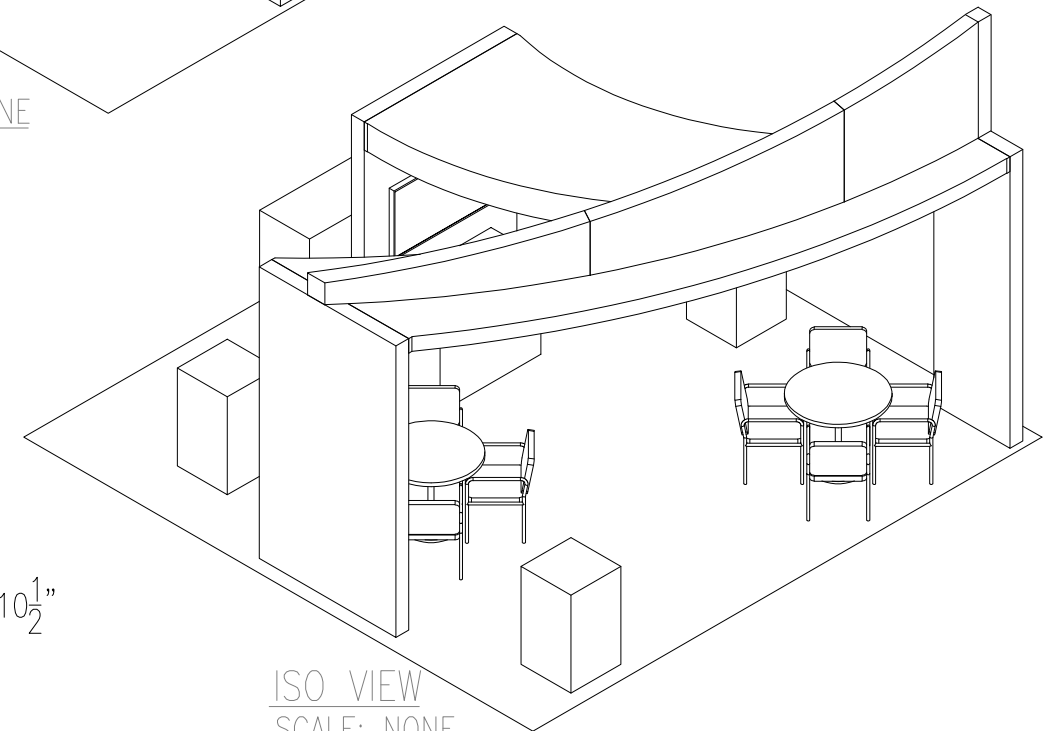


ANGLED SURFACE
SCALE: 3/16"=1'-0"

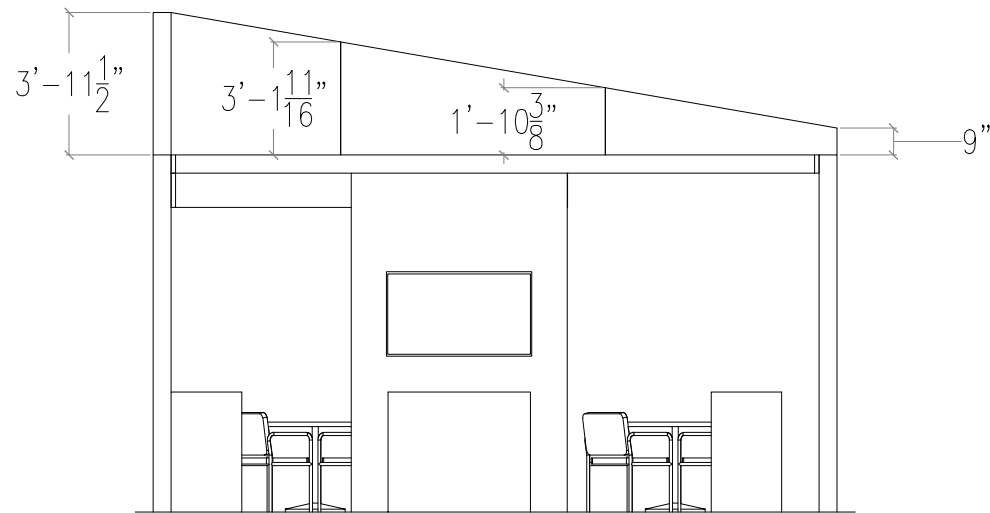
R28'-11 7/16"



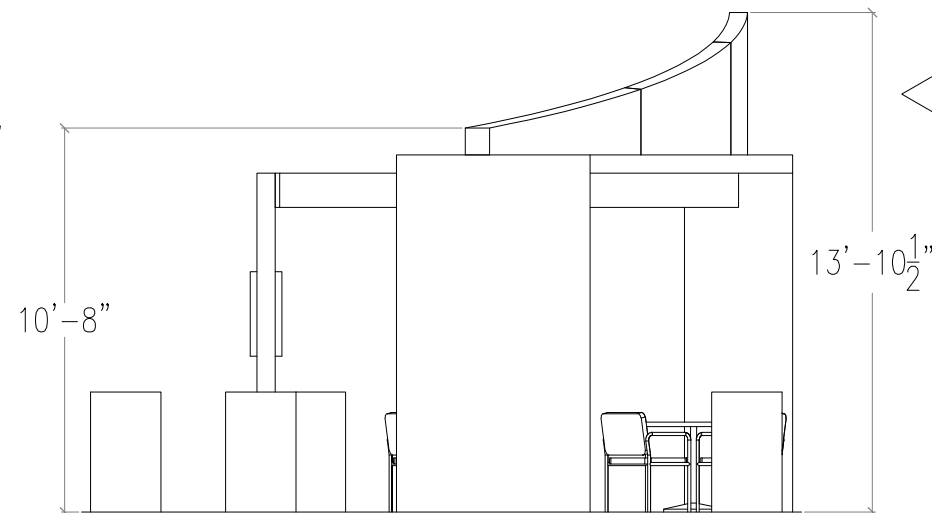
ISO VIEW
SCALE: NONE



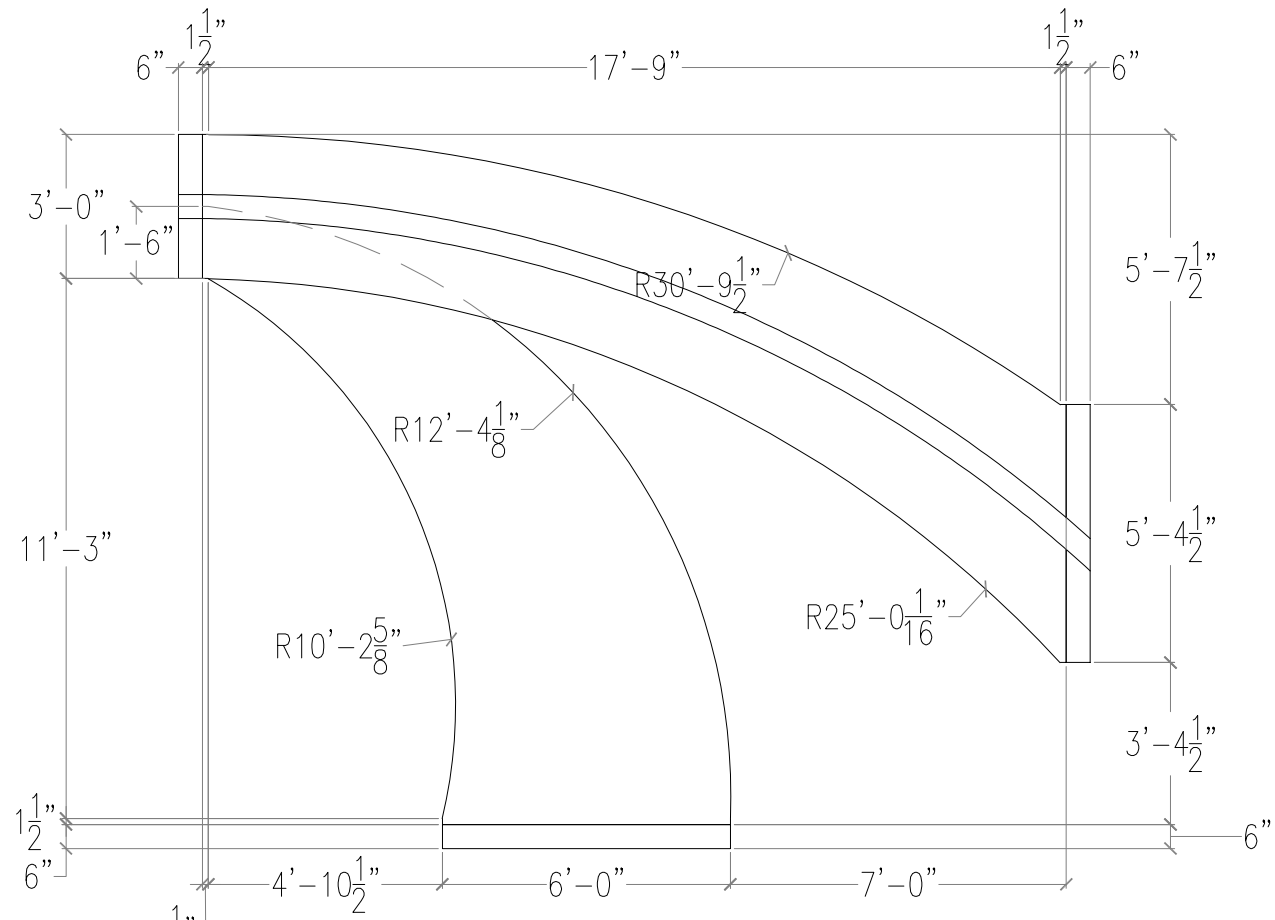
ISO VIEW
SCALE: NONE



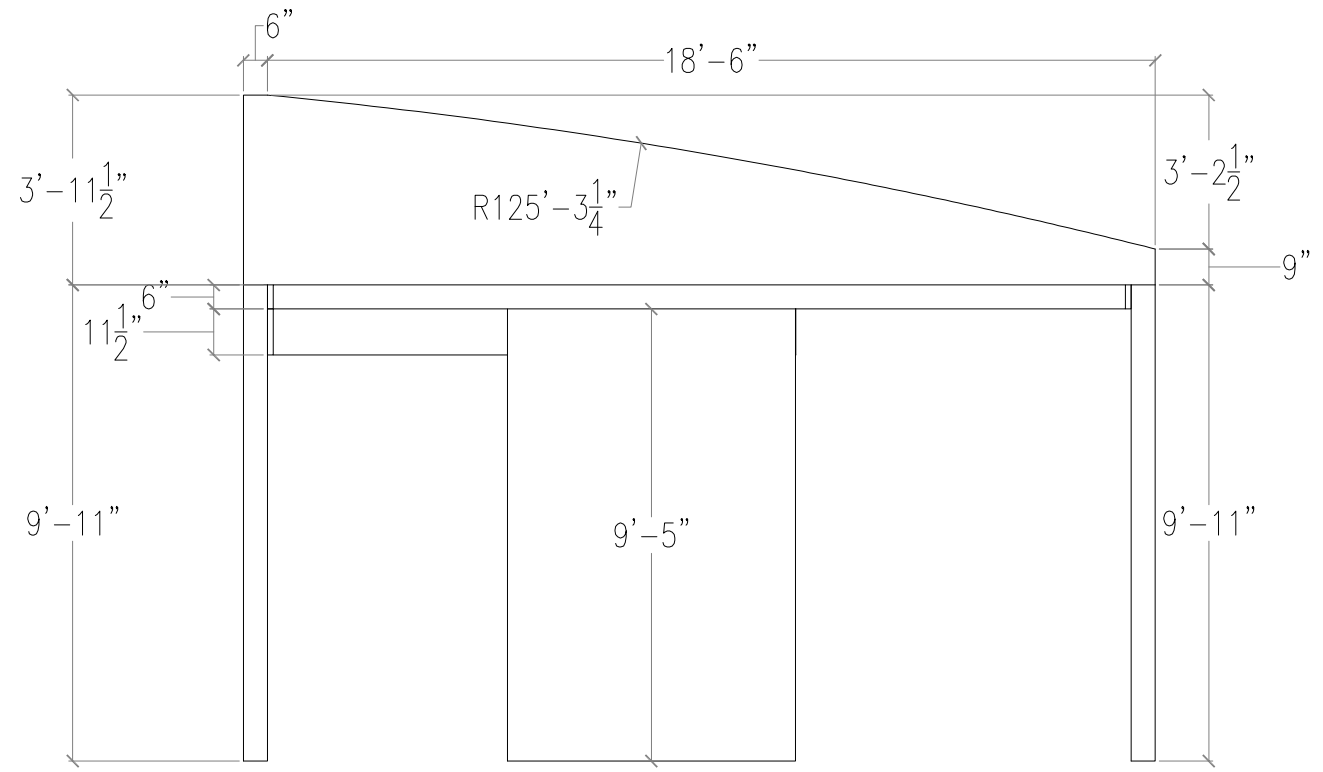
FRONT VIEW
SCALE: 3/16"=1'-0"



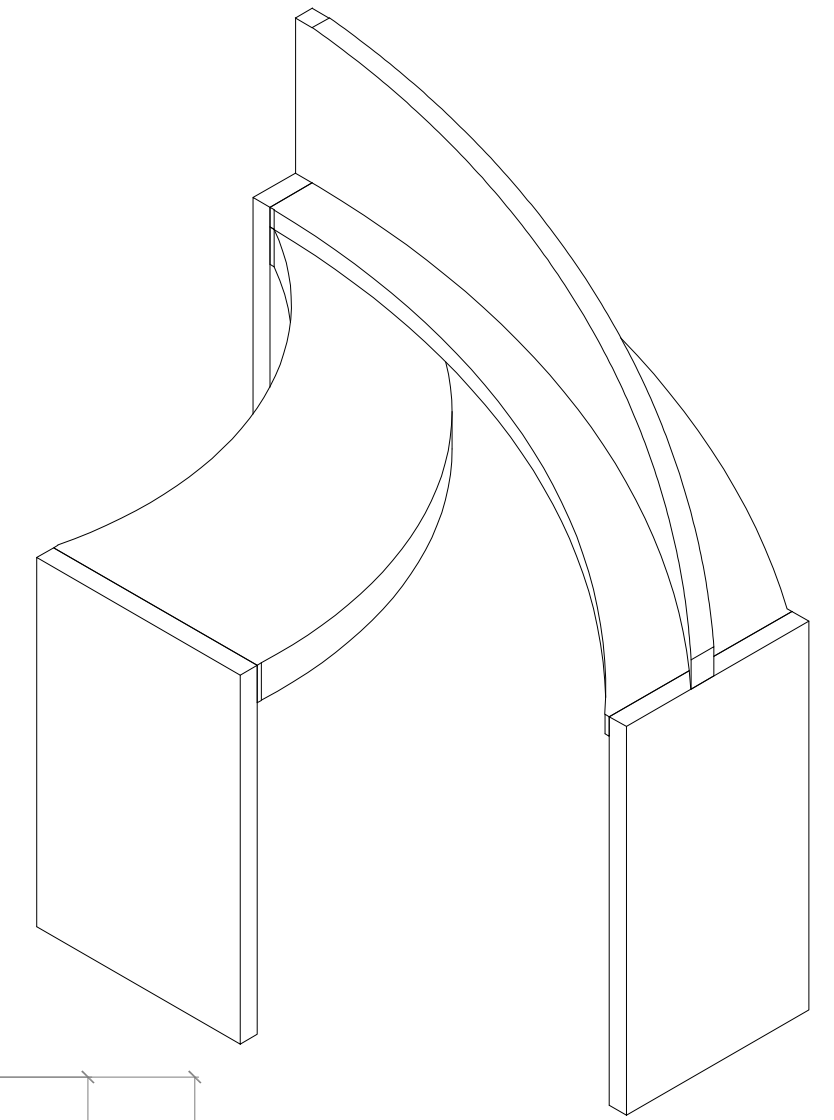
SIDE VIEW
SCALE: 3/16"=1'-0"



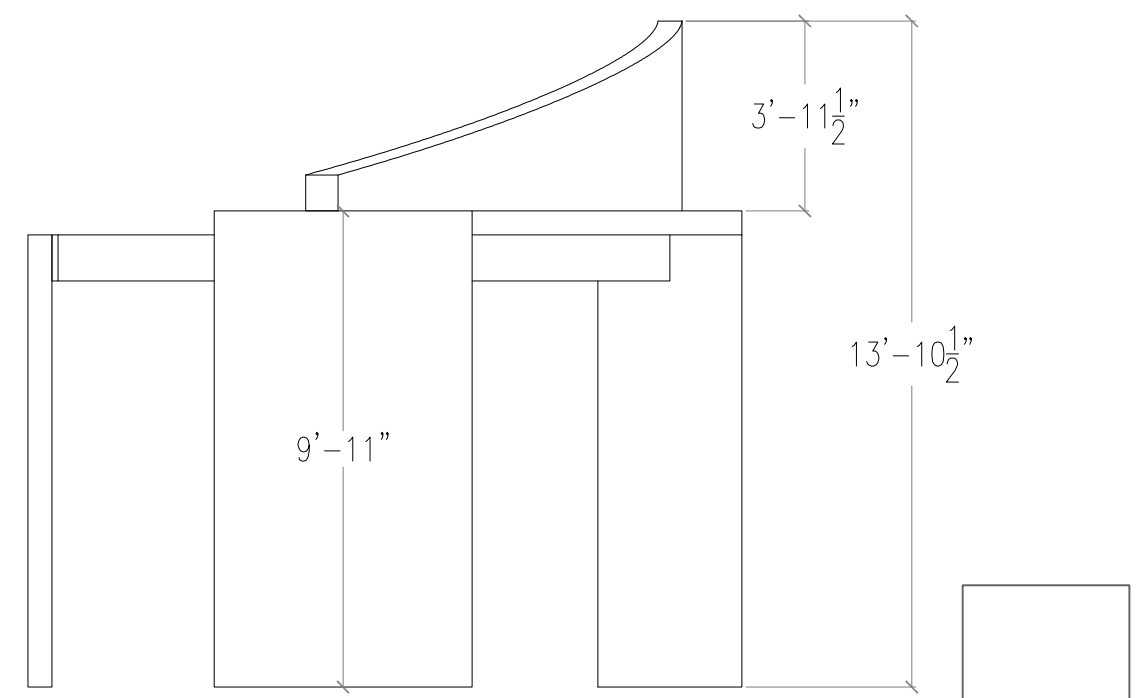
PLAN VIEW
SCALE: 1/4"=1'-0"



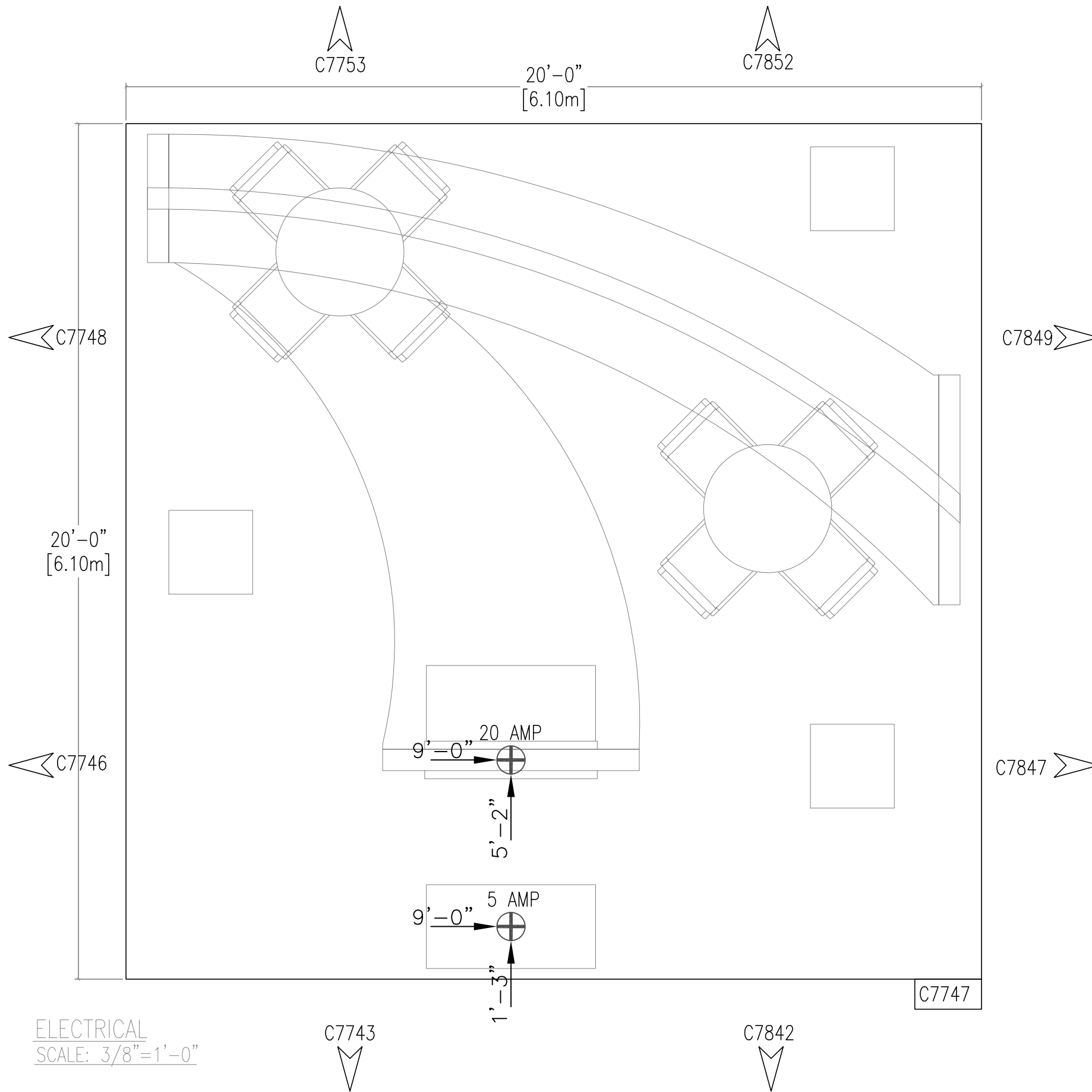
FRONT VIEW
SCALE: 1/4"=1'-0"



ISO VIEW
SCALE: NONE

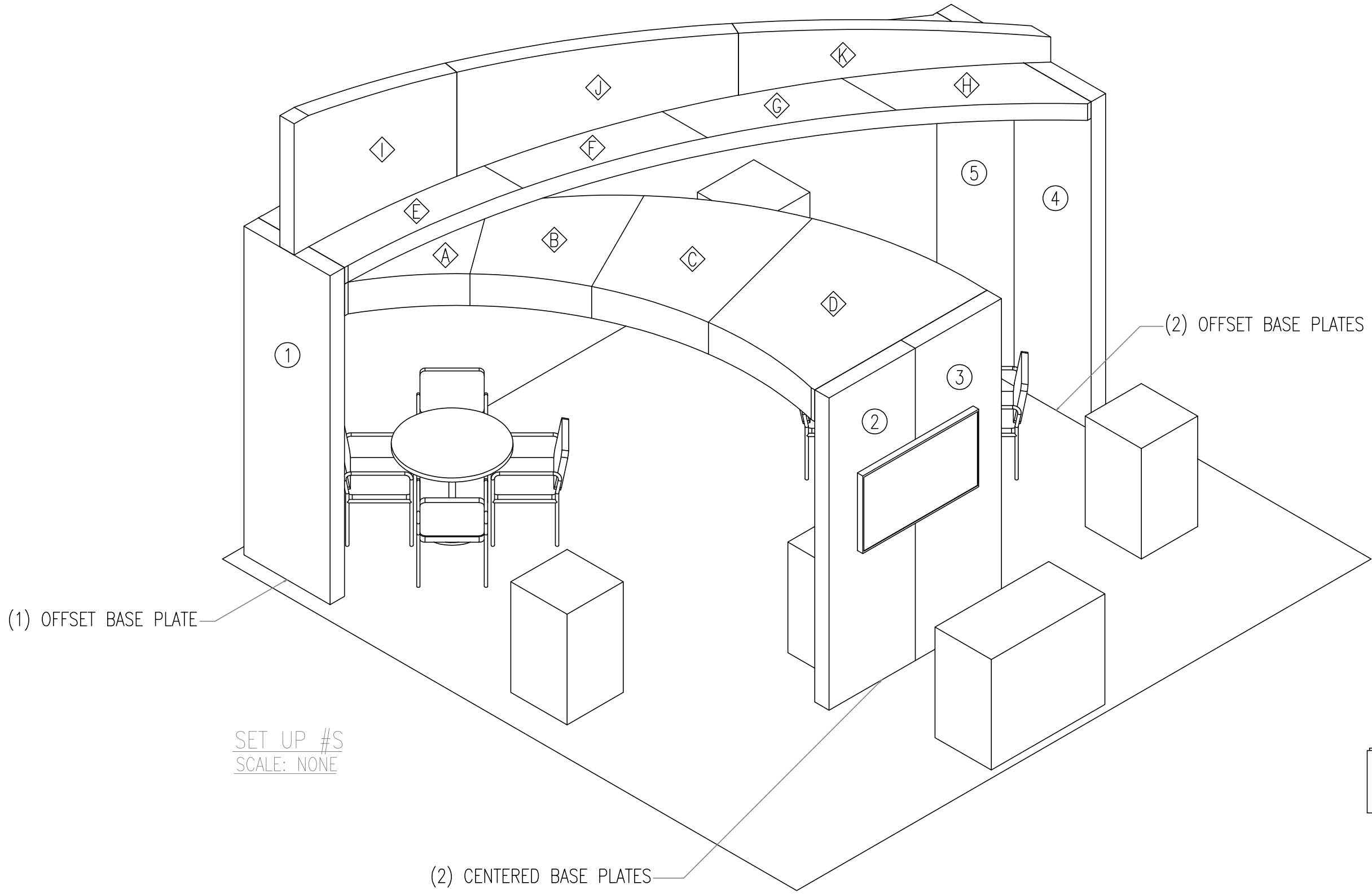


SIDE VIEW
SCALE: 1/4"=1'-0"



ELECTRICAL
 (1) 5 AMP
 (1) 20 AMP

ELECTRICAL
 SCALE: 3/8" = 1'-0"



(1) OFFSET BASE PLATE

(2) OFFSET BASE PLATES

(2) CENTERED BASE PLATES

SET UP #S
SCALE: NONE

①	PANELS
⋄	HEADERS

