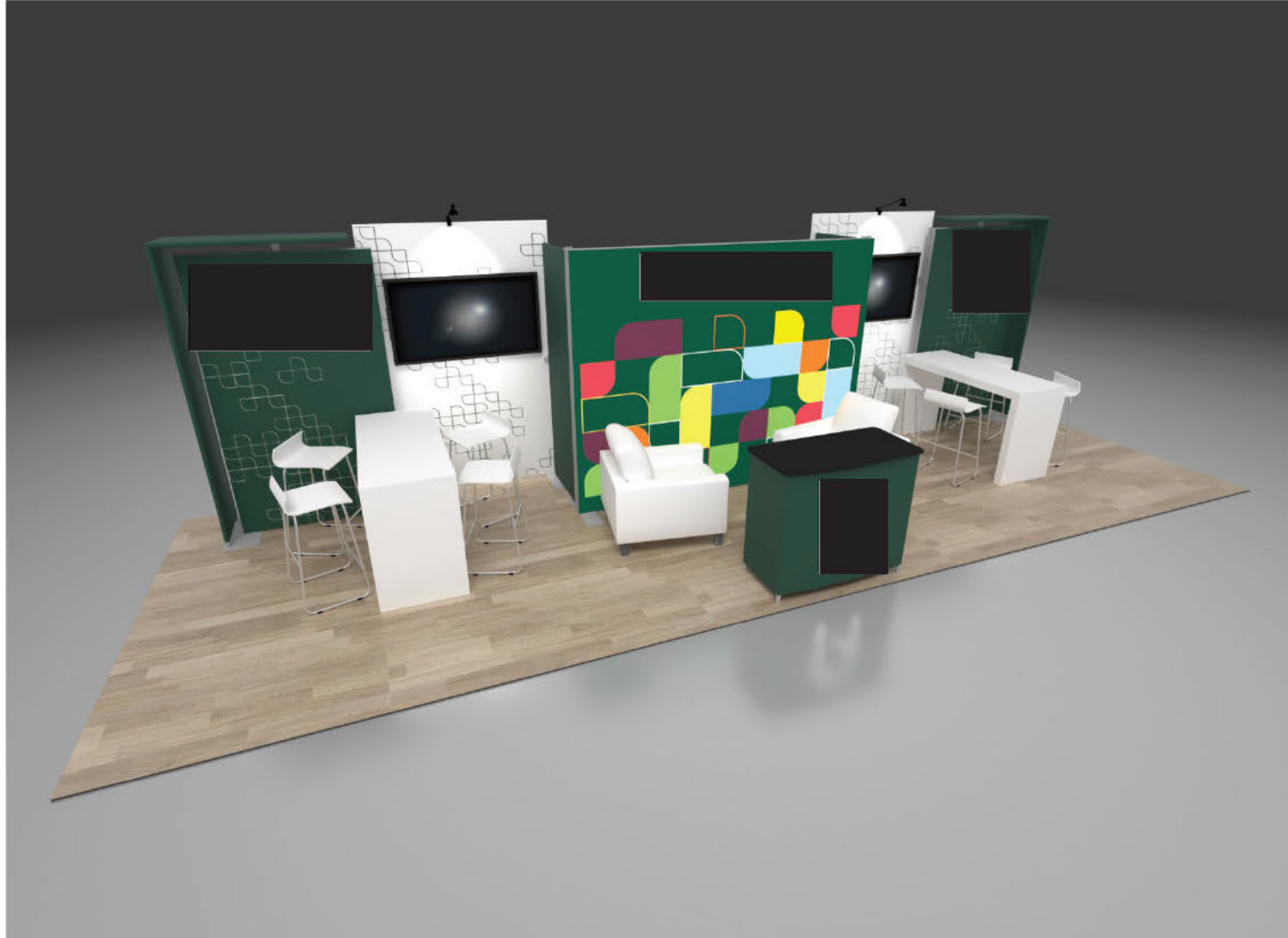


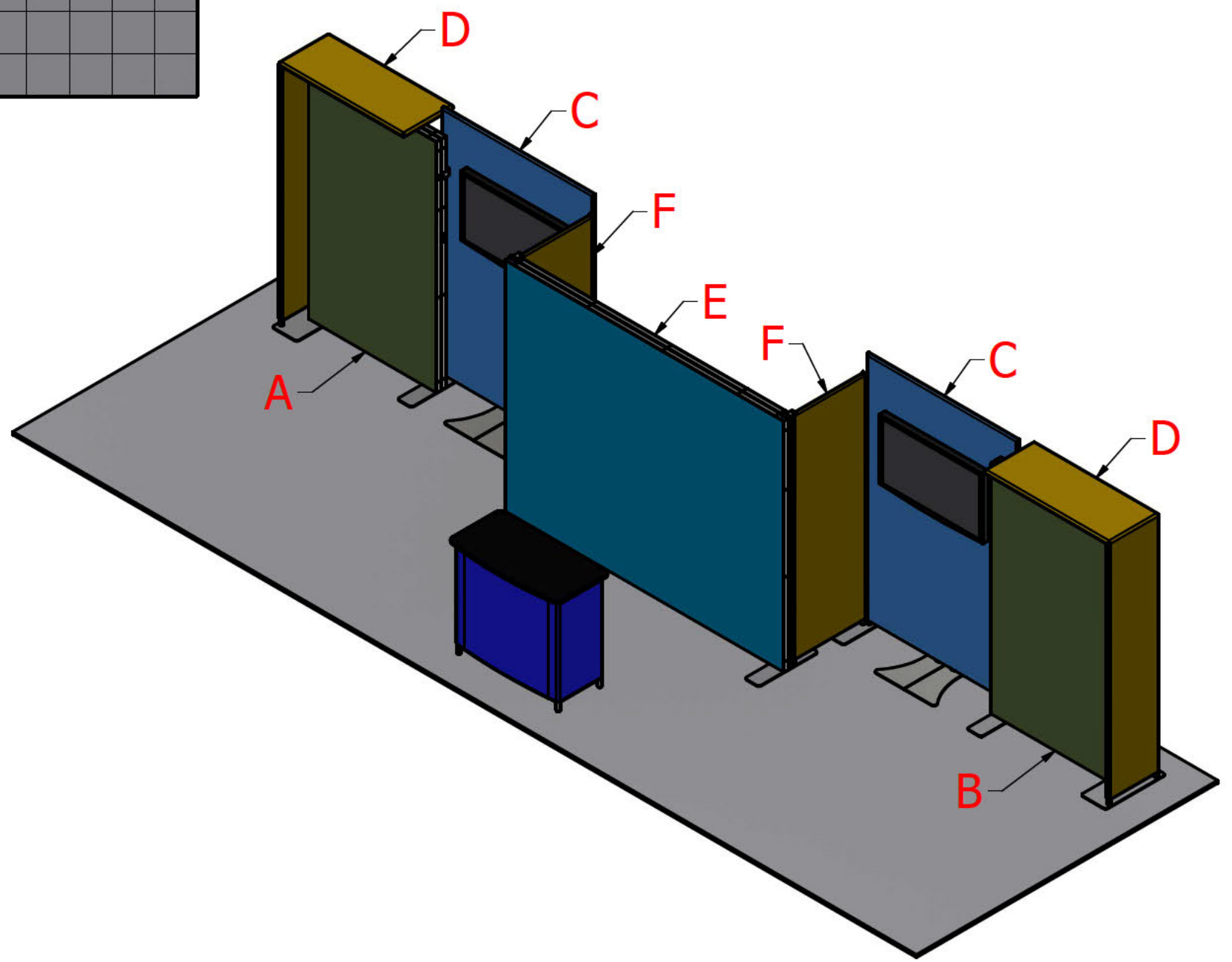
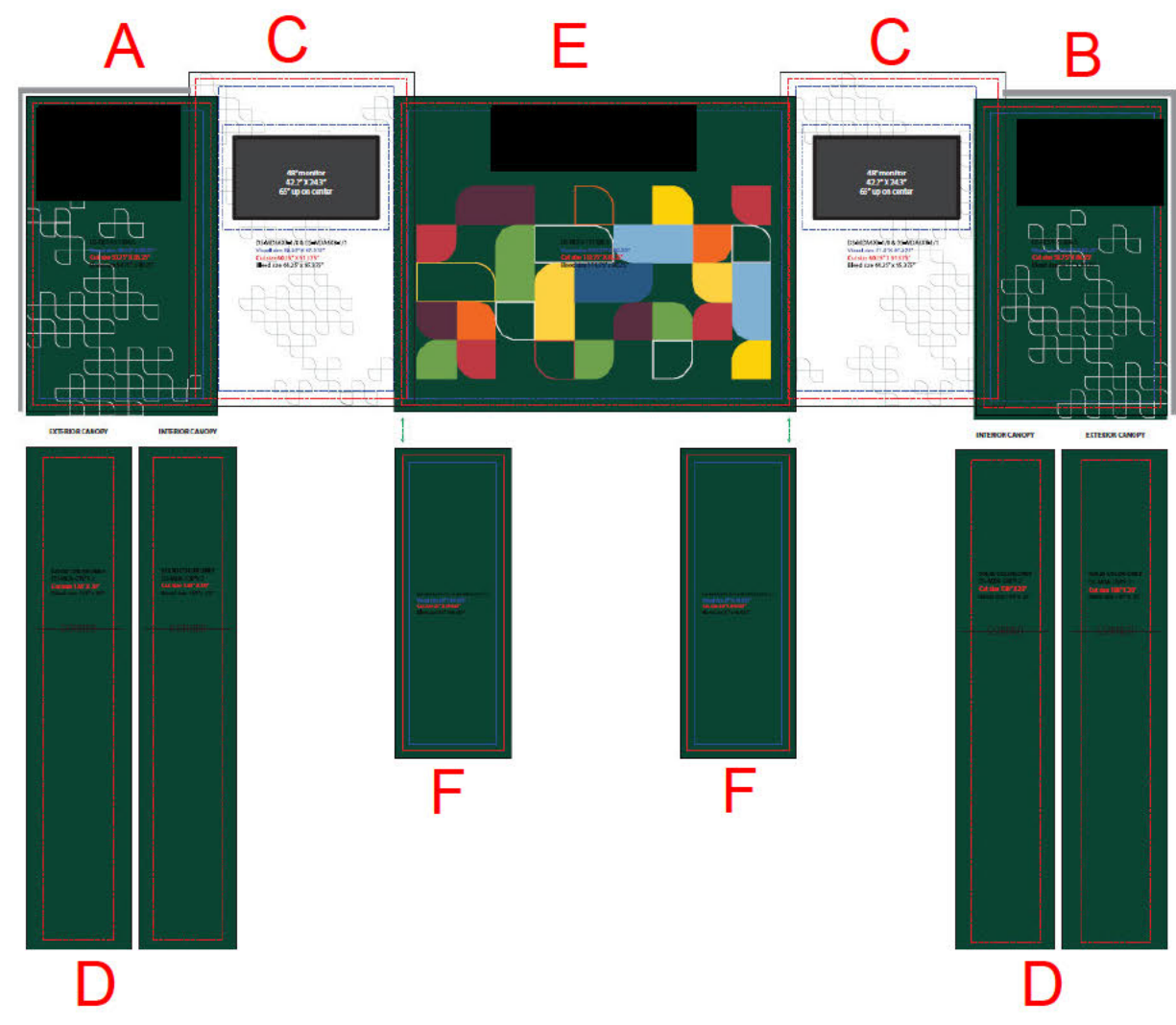
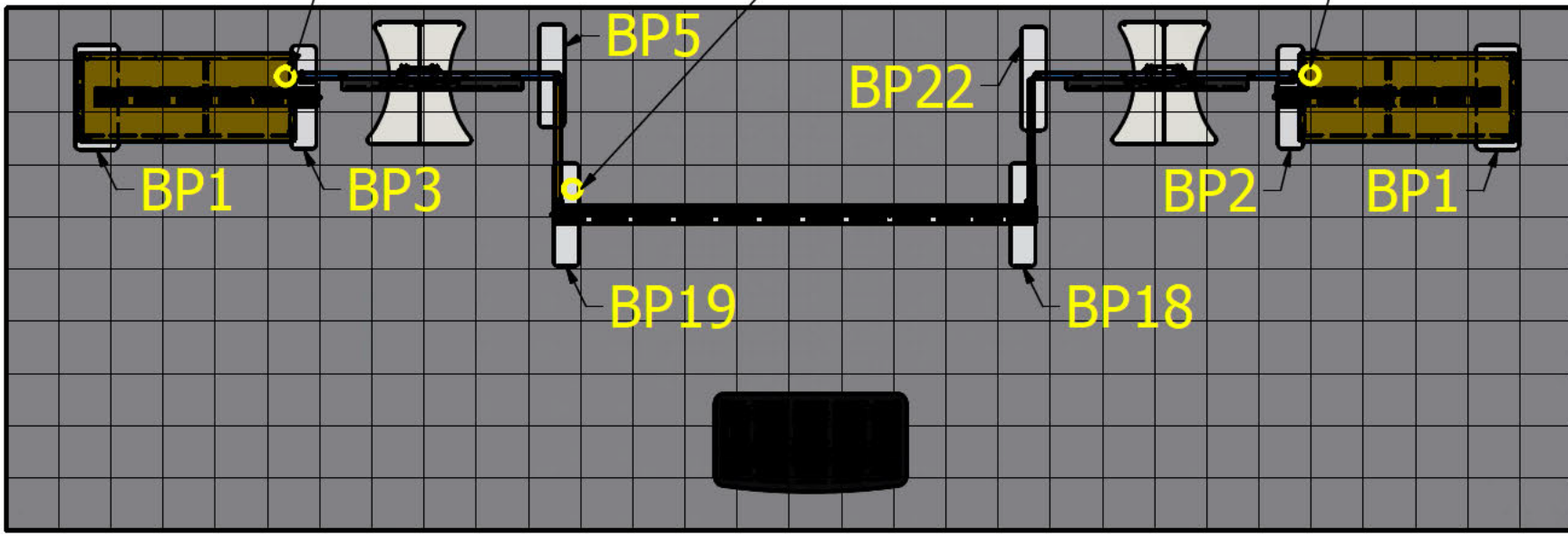
# 10X30 – OVERHEAD VIEW

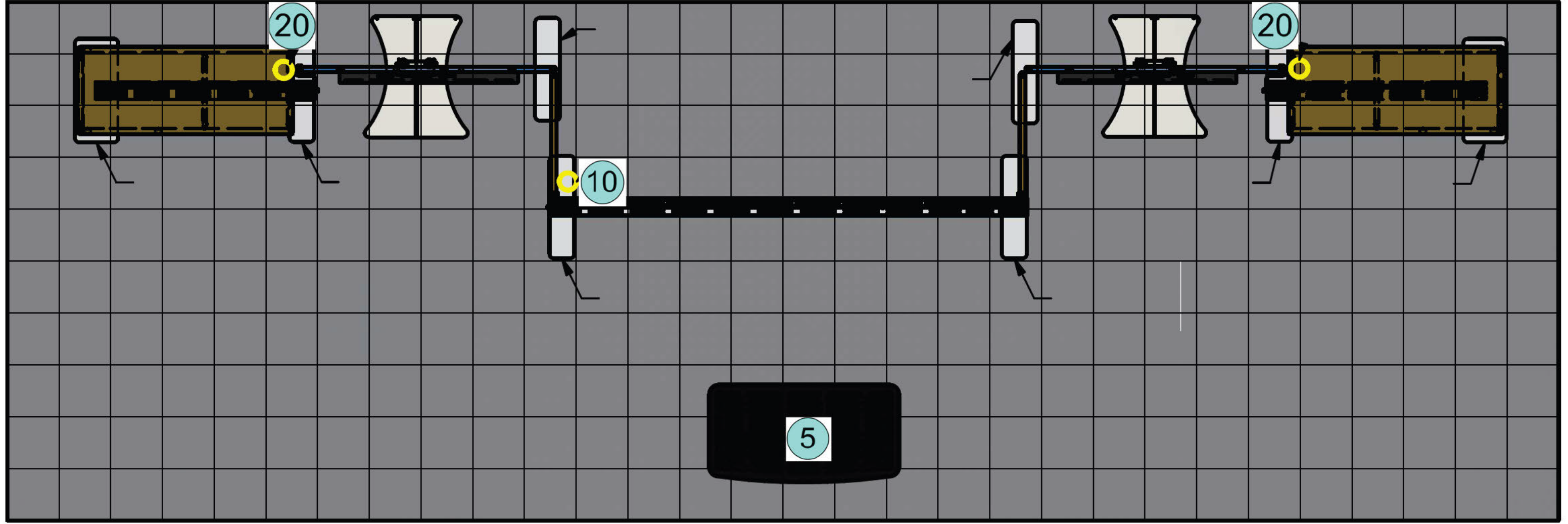


# 10X30 - PLAN VIEW

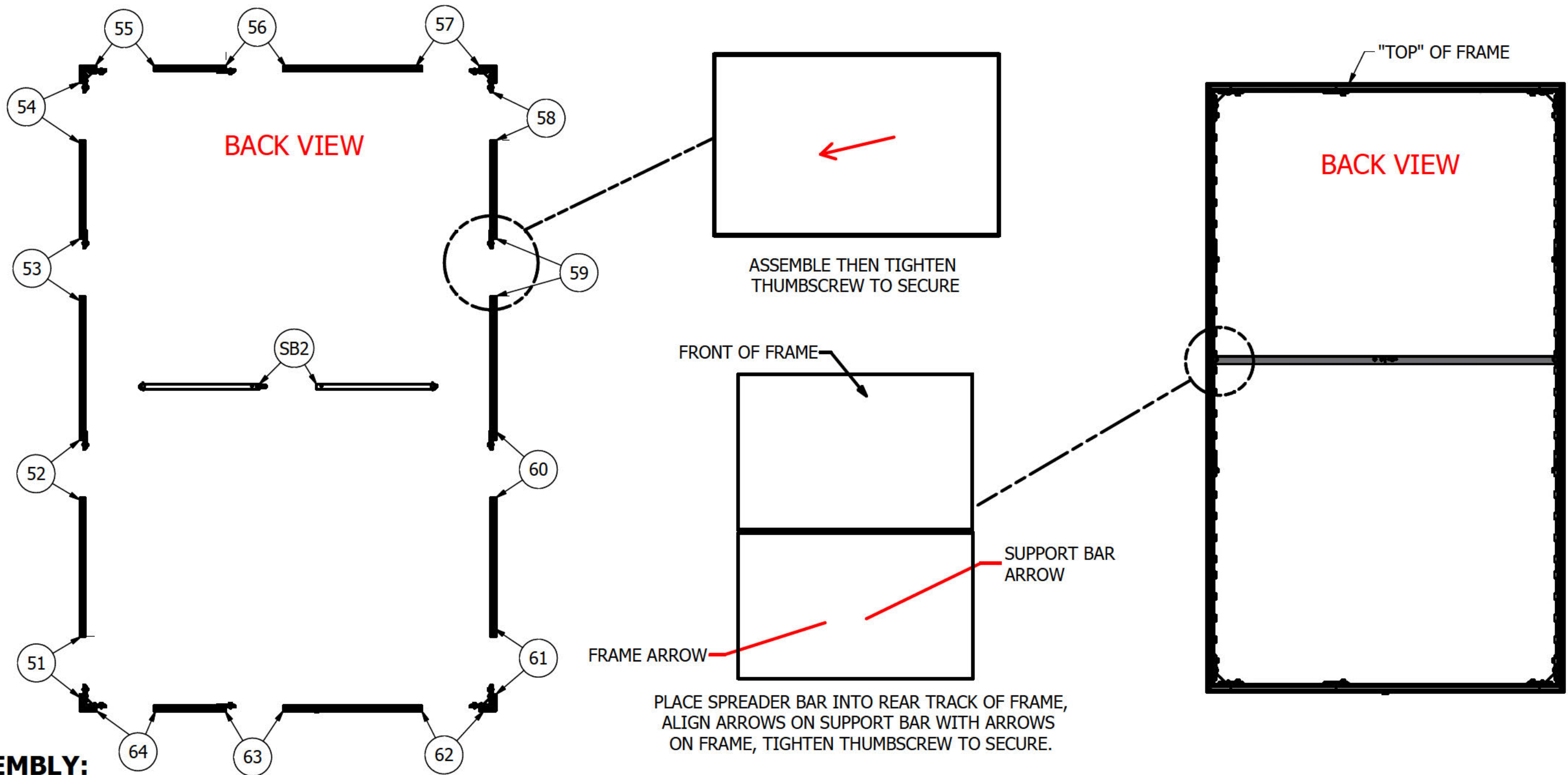


TRANSFORMER      TRANSFORMER      TRANSFORMER





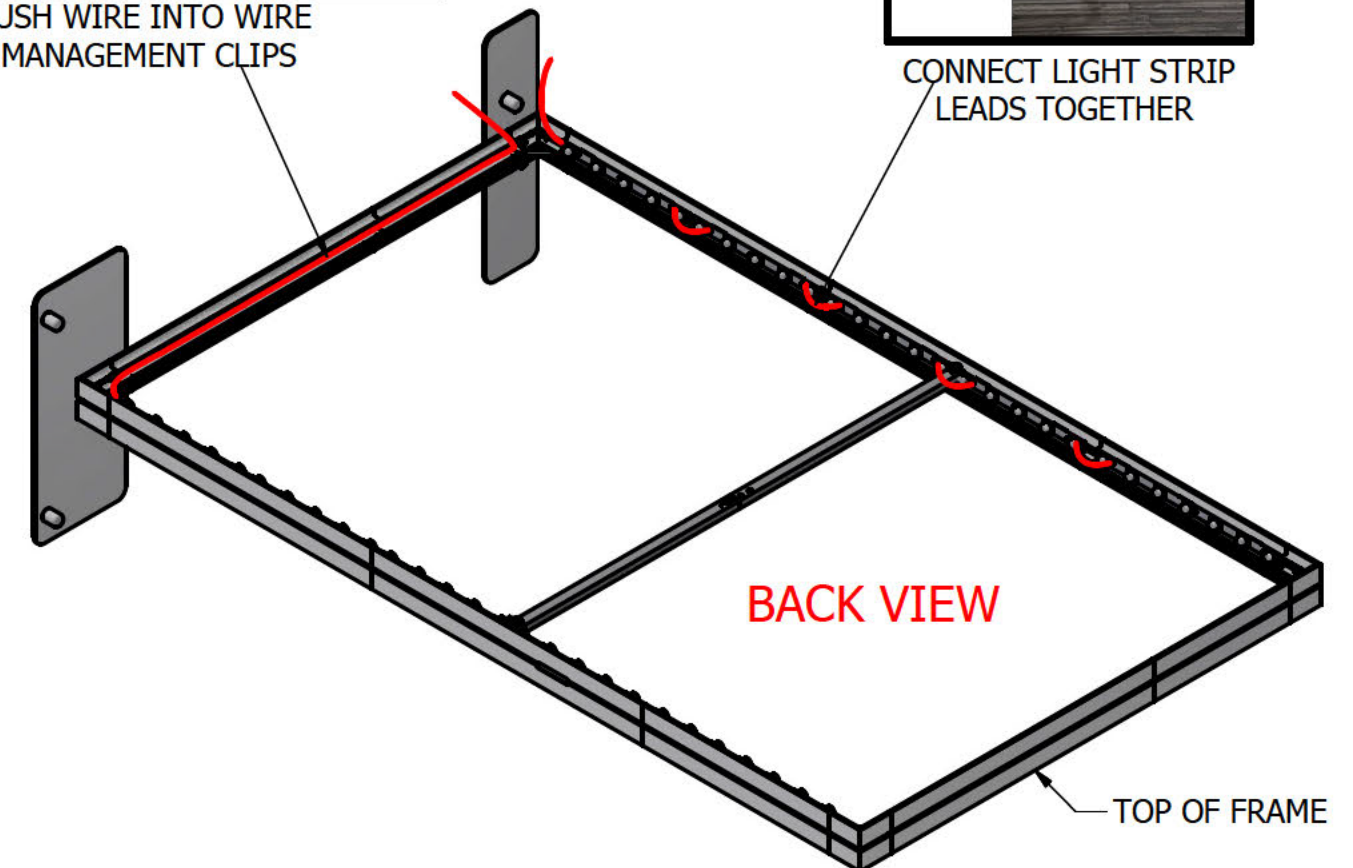
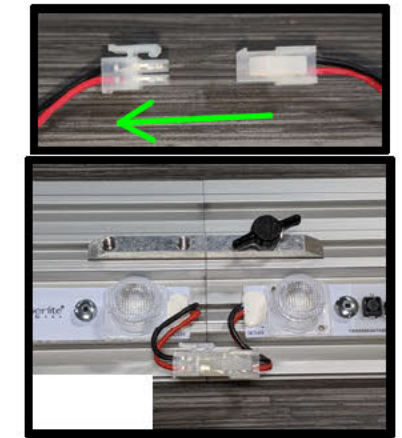
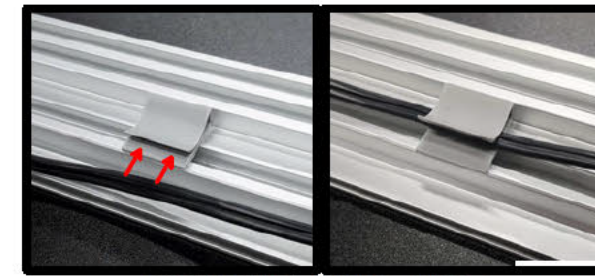
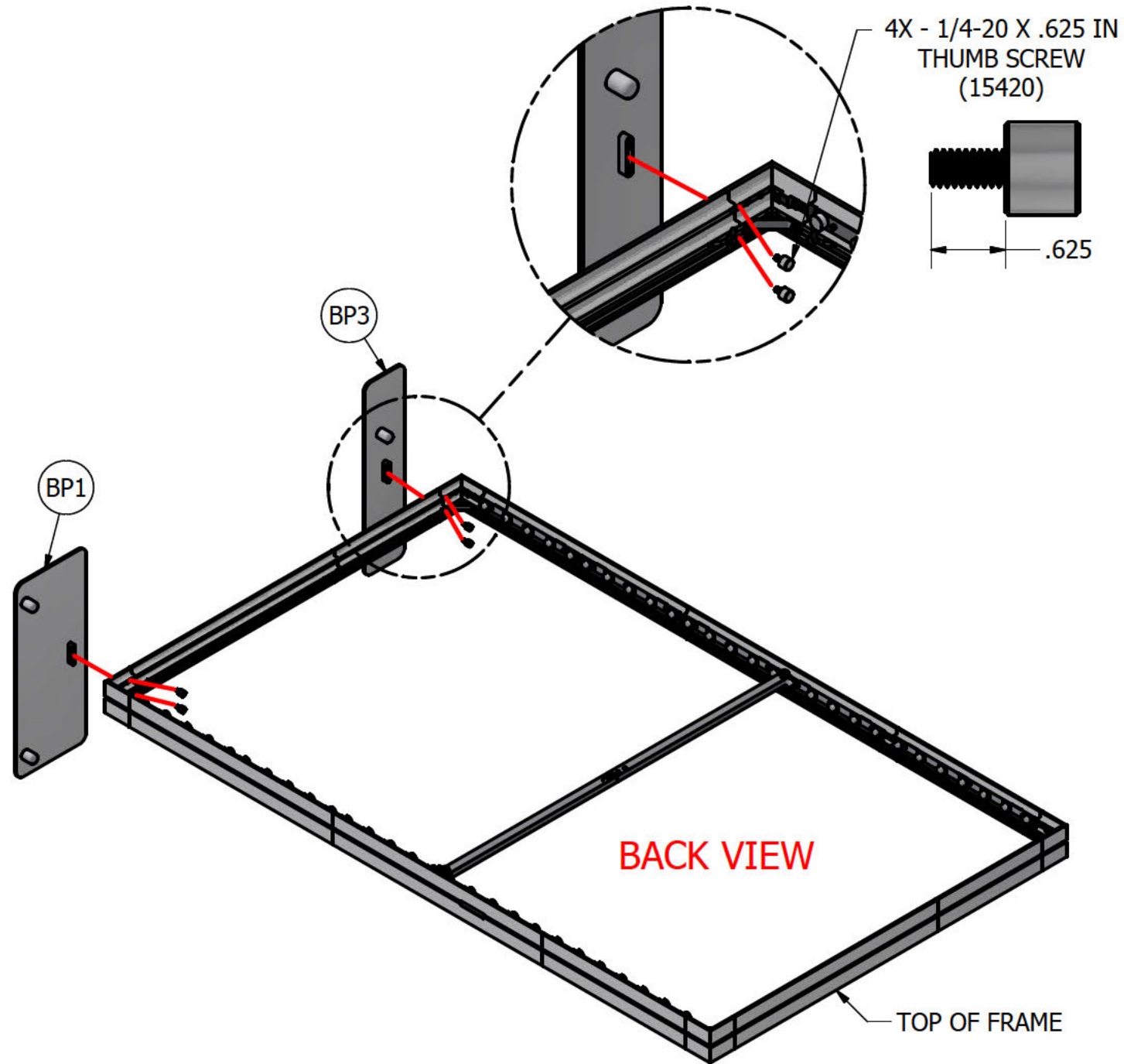
# STEP ONE: RDT4-51x86.5F-C FRAME ASSEMBLY "A"



## ASSEMBLY:

- 1) ASSEMBLE THE FRAME BY CONNECTING THE PIECES WITH MATCHING NUMBERS. EACH PIECE SLIDES INTO THE TRACK OF THE NEXT PIECE, TIGHTEN THUMBSCREW TO SECURE.
- 2) PLACE SPREADER BAR INTO REAR TRACK OF FRAME, ALIGN ARROWS ON SUPPORT BAR WITH ARROWS ON FRAME, TIGHTEN THUMBSCREW TO SECURE.

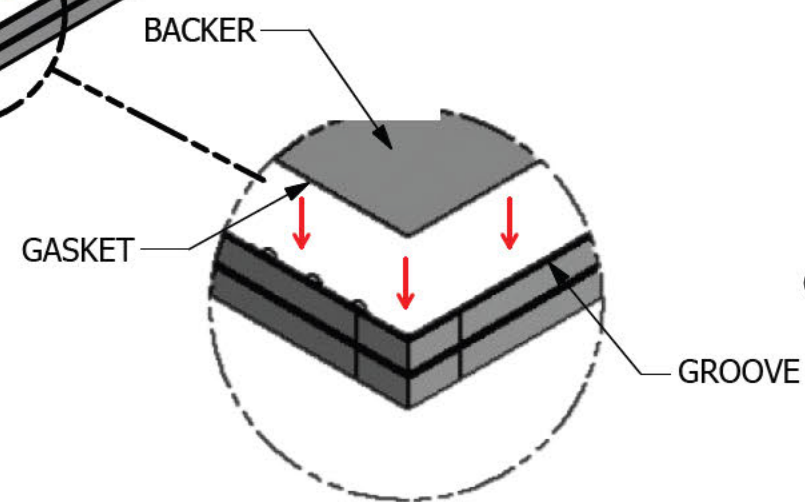
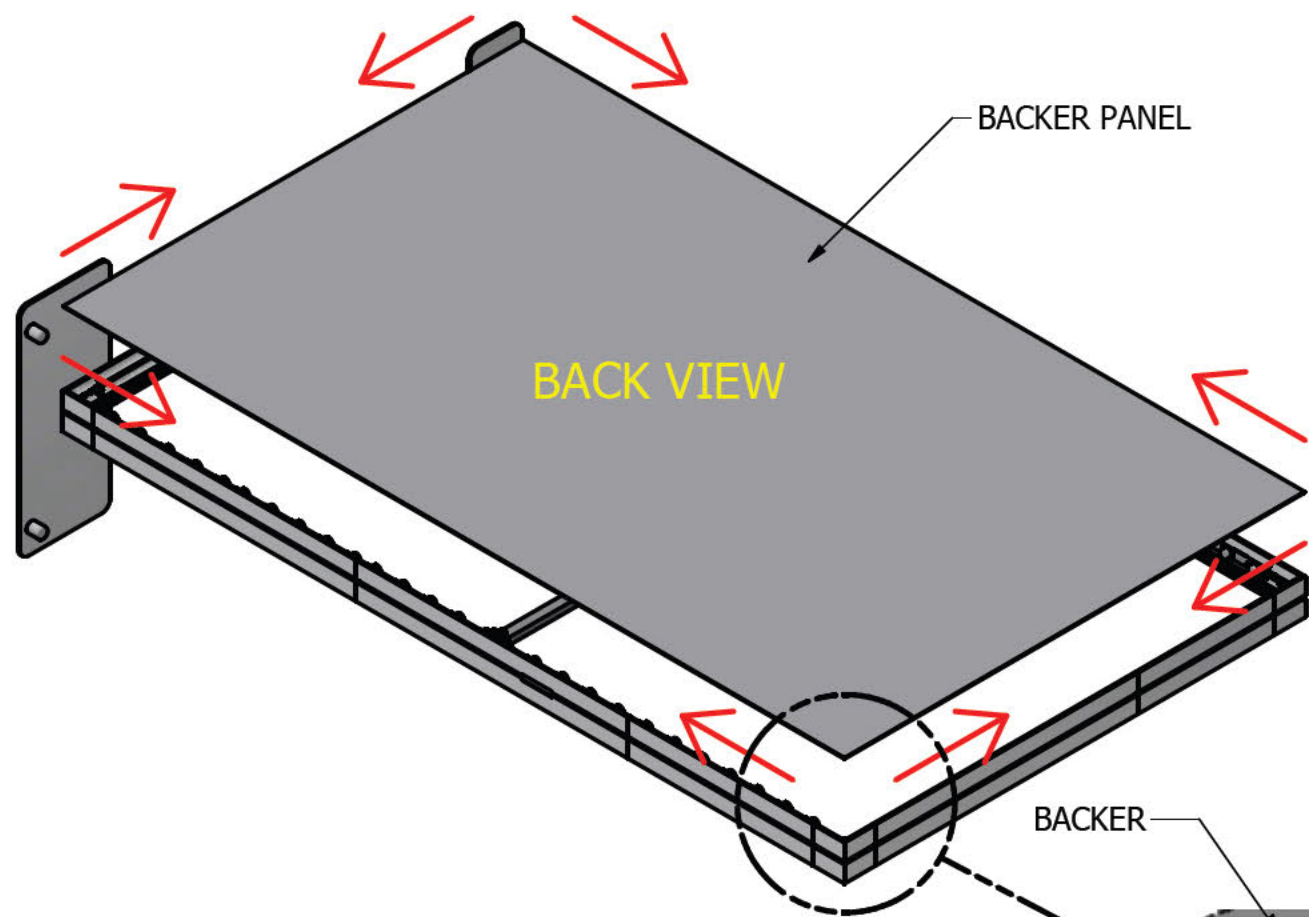
## STEP TWO: RDT4-51x86.5F-C FRAME ASSEMBLY "A"



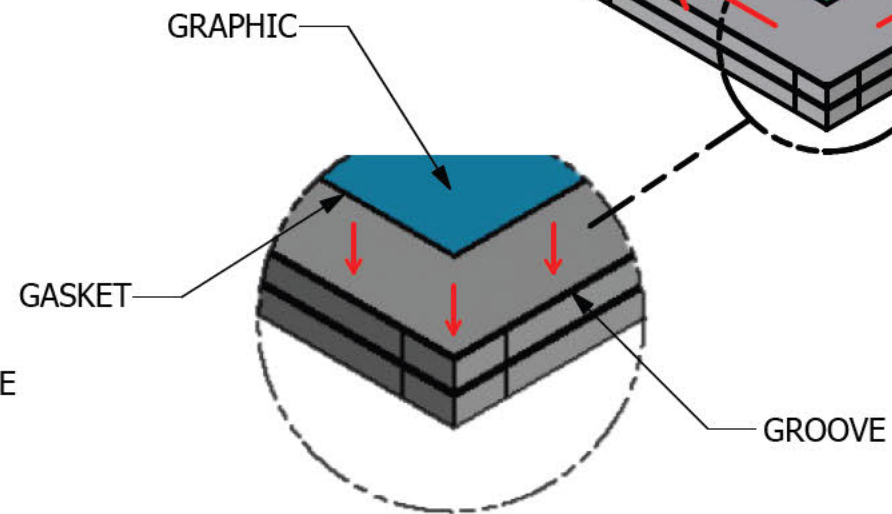
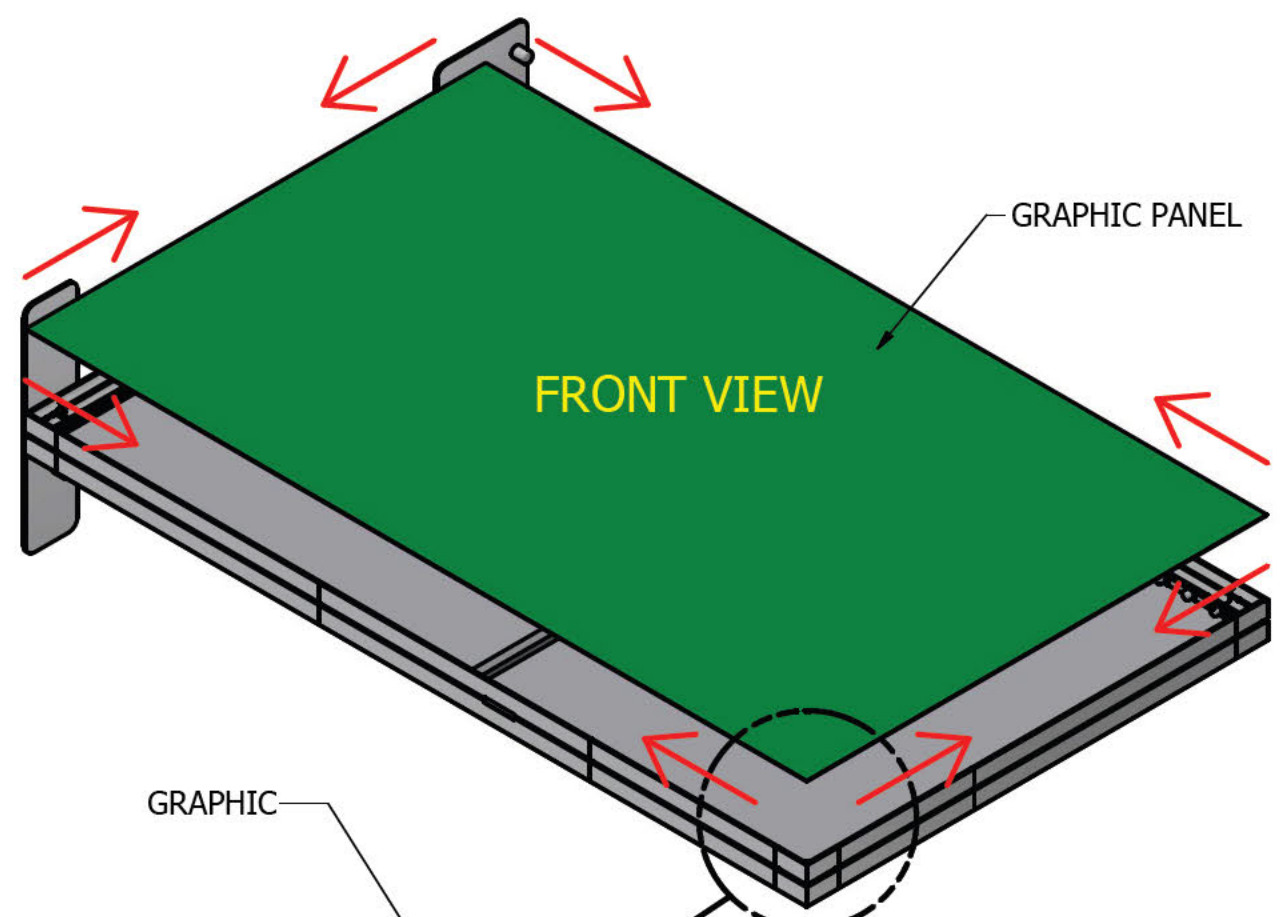
### ASSEMBLY:

- 1) RAISE UP THE BOTTOM OF THE FRAME AND INSTALL THE BASEPLATES BY INSERTING THEM INTO THE SLOT ON THE BOTTOM OF THE FRAME AND SECURING WITH PROVIDED THUMBSCREWS.
- 2) CONNECT THE LEADS BETWEEN LIGHT STRIPS.
- 3) RUN THE WIRE ALONG THE BOTTOM OF THE FRAME THROUGH THE WIRE MANAGEMENT CLIPS.

# STEP THREE: RDT4-51x86.5F-C FRAME ASSEMBLY "A"



PUSH GASKET INTO FRAME GROOVE  
STARTING AT A CORNER AND  
WORKING AROUND THE FRAME

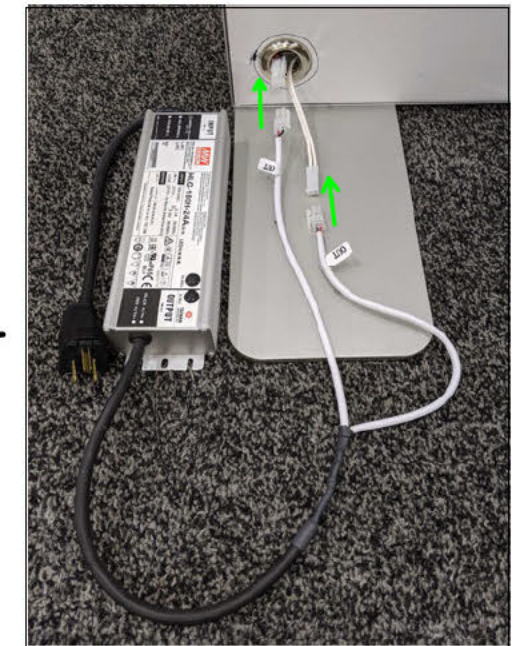
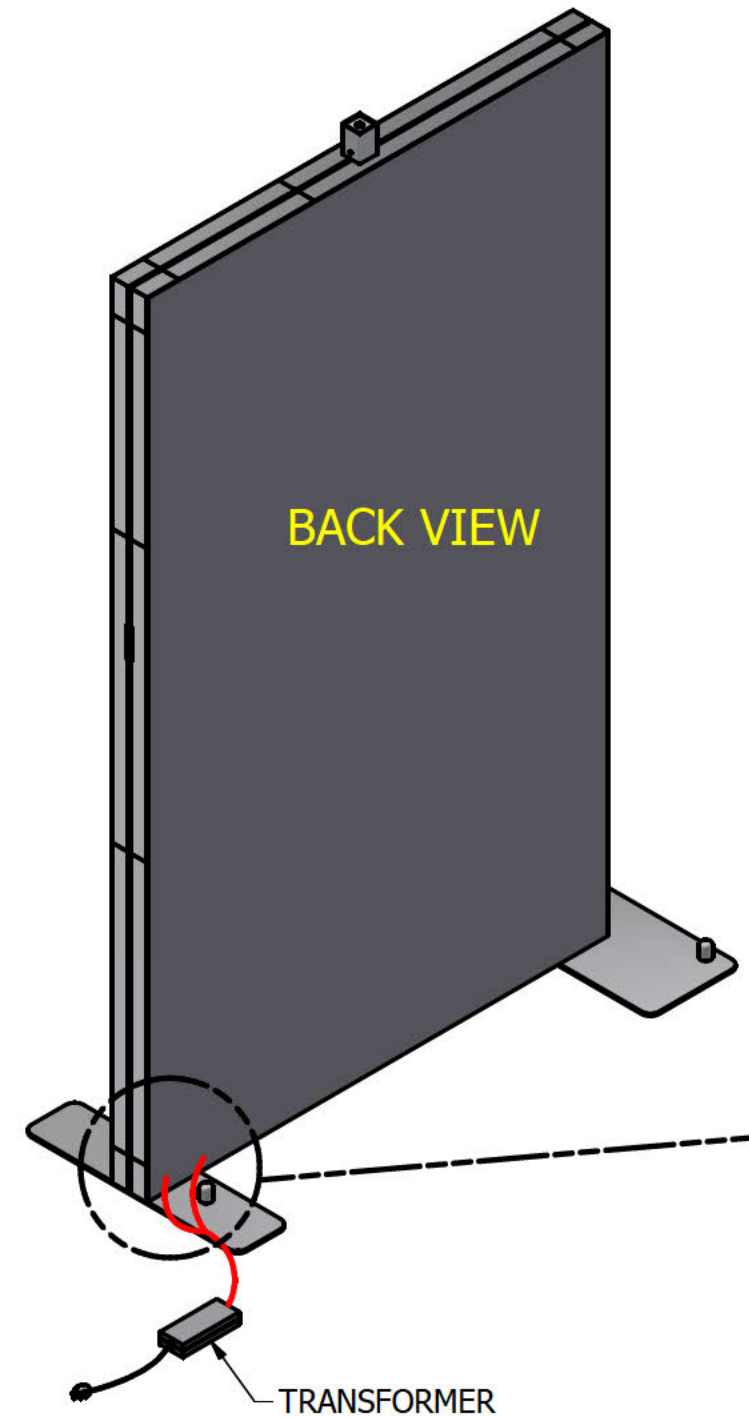
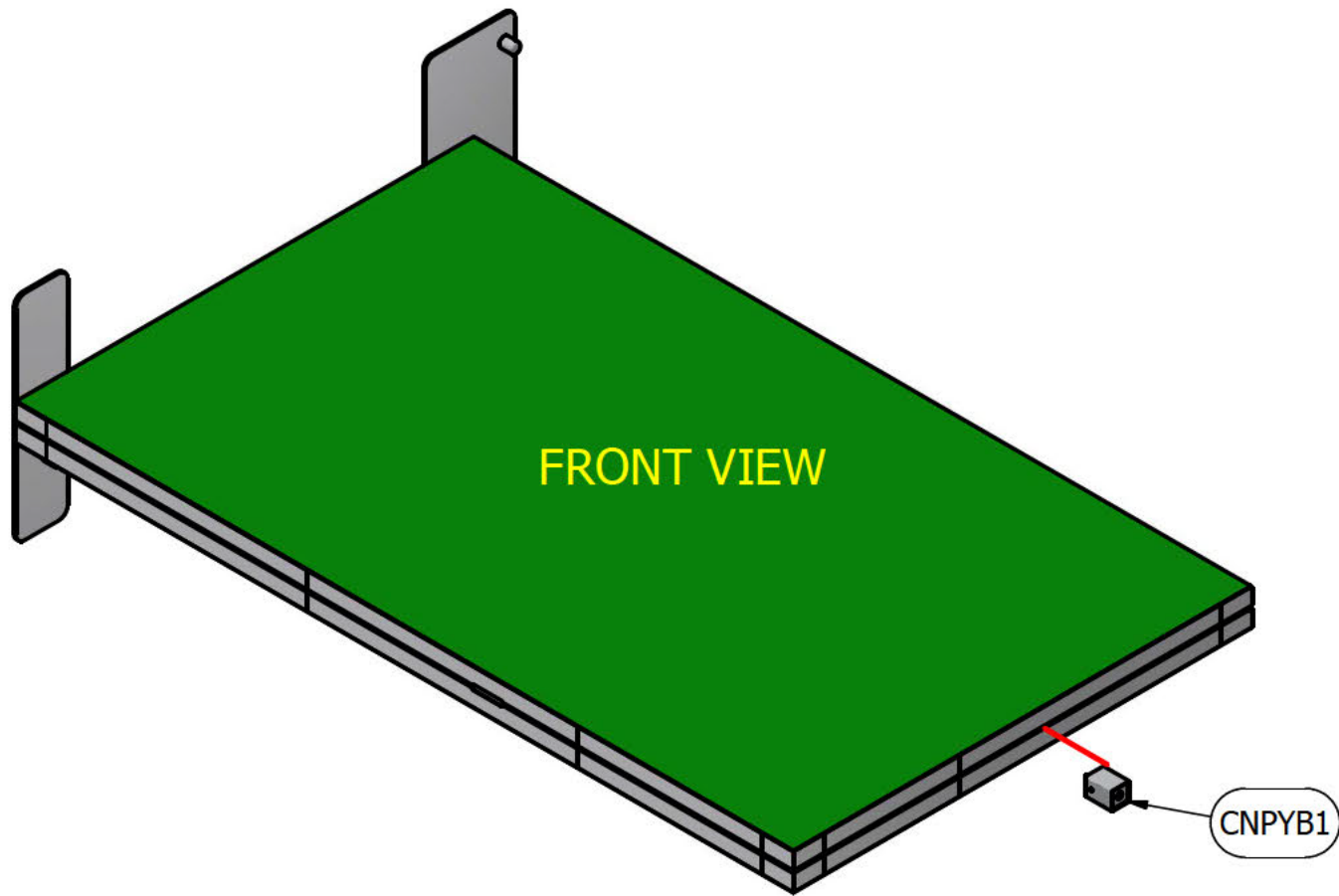


PUSH GASKET INTO FRAME GROOVE  
STARTING AT A CORNER AND  
WORKING AROUND THE FRAME

## ASSEMBLY:

- 1) LAY BACKER OVER THE BACK OF THE FRAME. PUSH THE GASKET INTO THE FRAME GROOVE, START AT THE CORNERS AND WORK TOWARD THE CENTER OF FRAME.
- 2) FLIP THE FRAME OVER AND LAY THE GRAPHIC OVER THE FRONT OF THE FRAME, PUSH THE GASKET INTO THE FRAME GROOVE, START AT THE CORNERS AND WORK TOWARD THE CENTER OF FRAME.

# STEP FOUR: RDT4-51x86.5F-C FRAME ASSEMBLY "A"

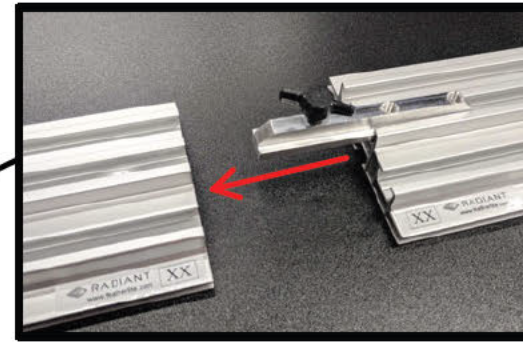
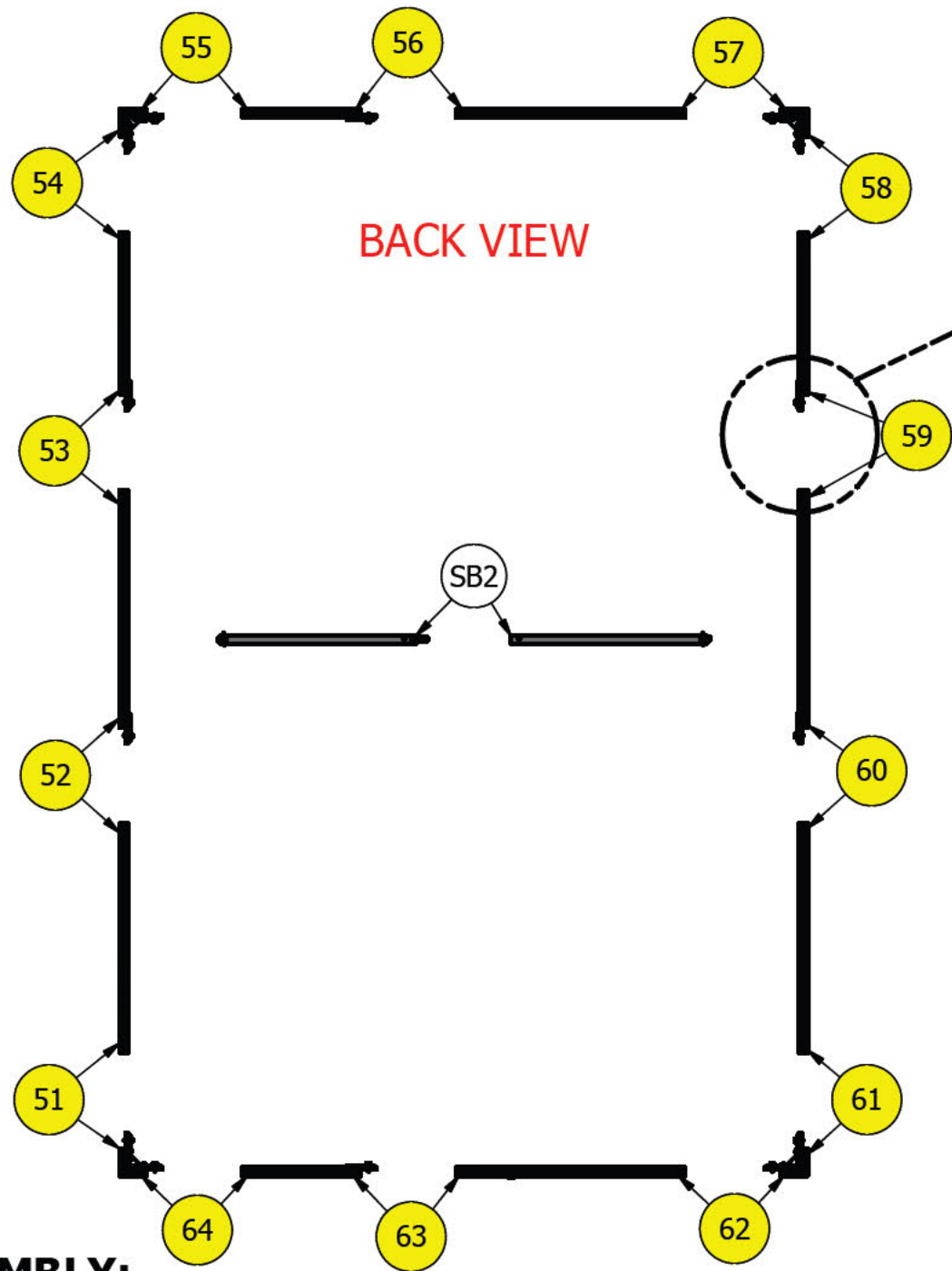


## ASSEMBLY:

- 1) INSERT CNPYB1 BRACKET(S) INTO THE TOP OF THE FRAME.
- 2) STAND THE FRAME UP AND ROTATE SO THE GRAPHICS ARE TO THE FRONT OF BOOTH SPACE.
- 3) CONNECT THE TWO WIRES FROM THE LIGHTS TO THE TRANSFORMER IN THE BACK SIDE OF THE FRAME.

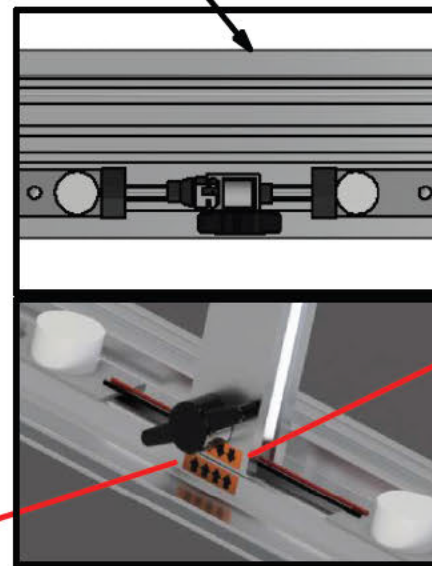
CONNECT LEADS FROM  
TRANSFORMER TO LIGHTS IN FRAME  
(REMOVE BACKER CORNER FROM GASKET TRACK IF NEEDED)

# STEP FIVE: RDT4-51x86.5F-C FRAME ASSEMBLY "B"



ASSEMBLE THEN TIGHTEN THUMBSCREW TO SECURE

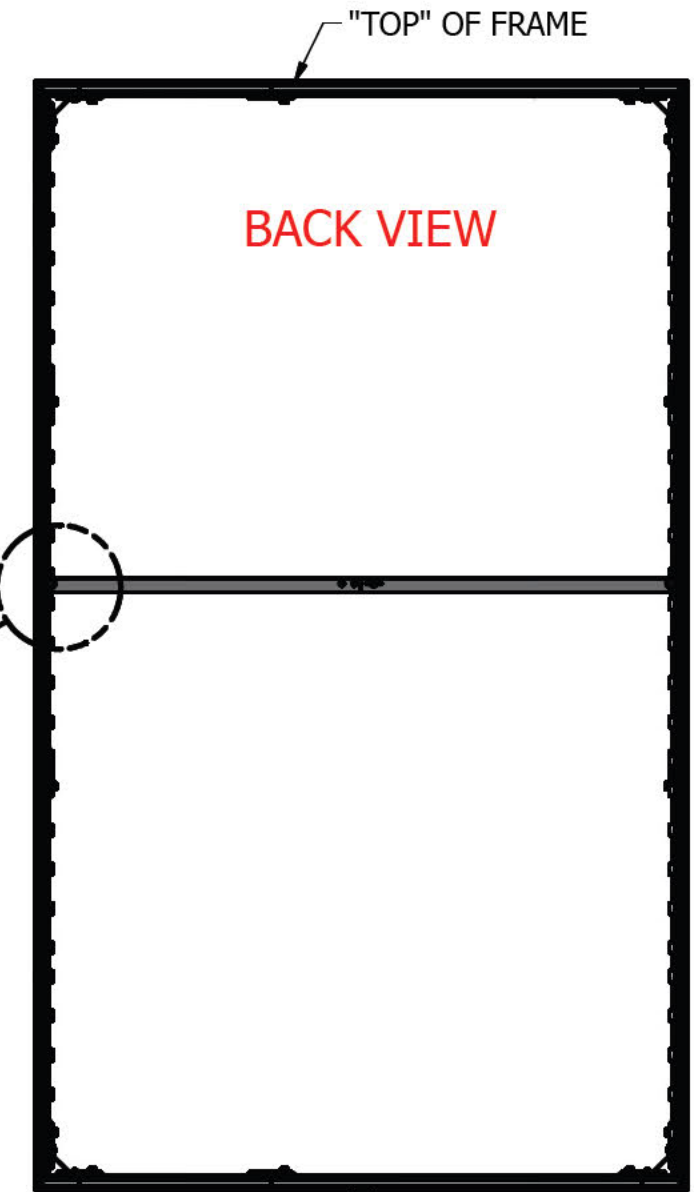
FRONT OF FRAME



SUPPORT BAR ARROW

FRAME ARROW

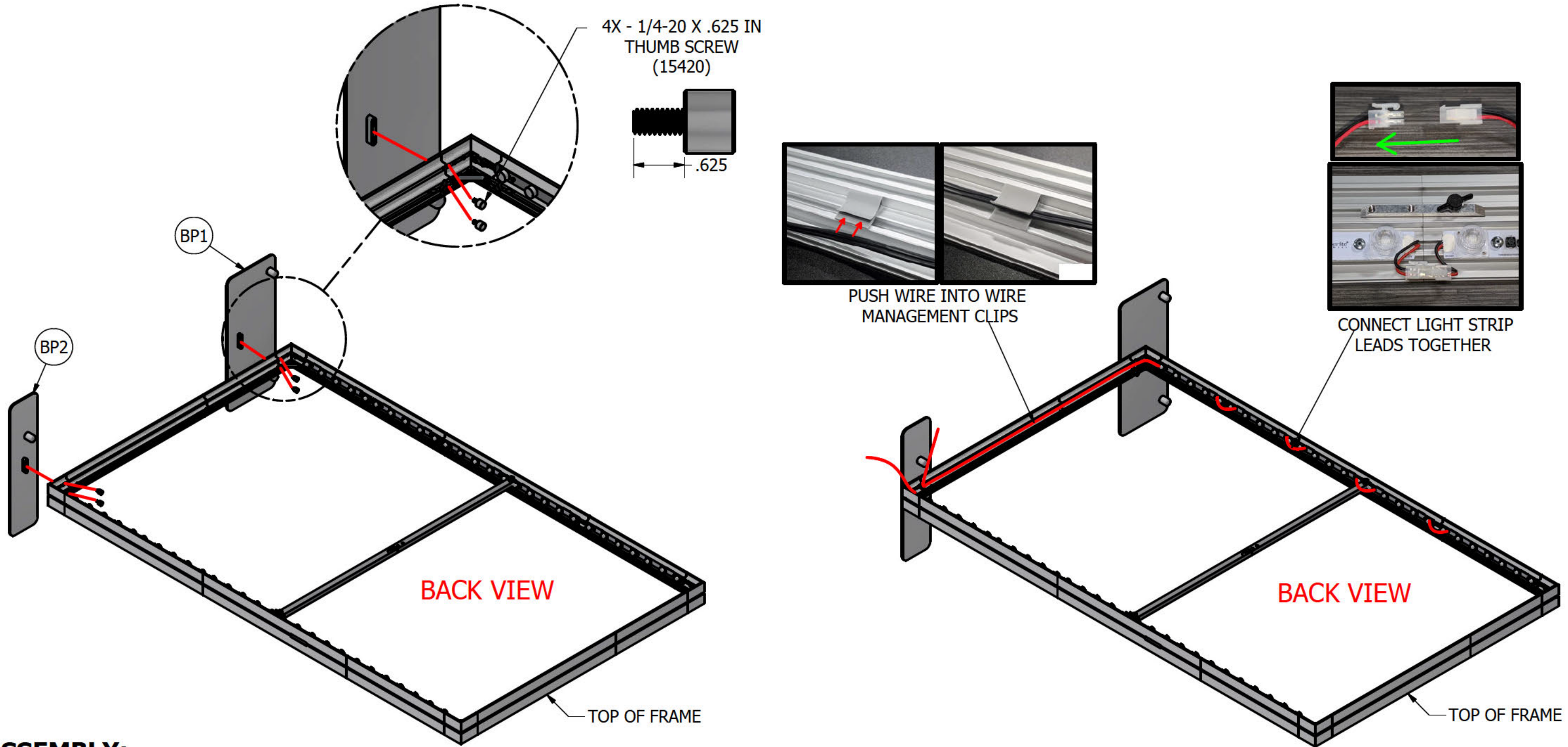
PLACE SPREADER BAR INTO REAR TRACK OF FRAME, ALIGN ARROWS ON SUPPORT BAR WITH ARROWS ON FRAME, TIGHTEN THUMBSCREW TO SECURE.



## ASSEMBLY:

- 1) ASSEMBLE THE FRAME BY CONNECTING THE PIECES WITH MATCHING NUMBERS. EACH PIECE SLIDES INTO THE TRACK OF THE NEXT PIECE, TIGHTEN THUMBSCREW TO SECURE.
- 2) PLACE SPREADER BAR INTO REAR TRACK OF FRAME, ALIGN ARROWS ON SUPPORT BAR WITH ARROWS ON FRAME, TIGHTEN THUMBSCREW TO SECURE.

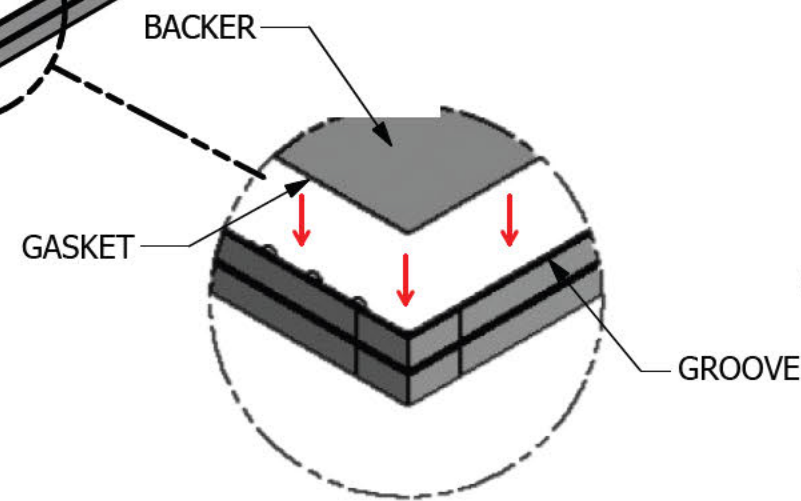
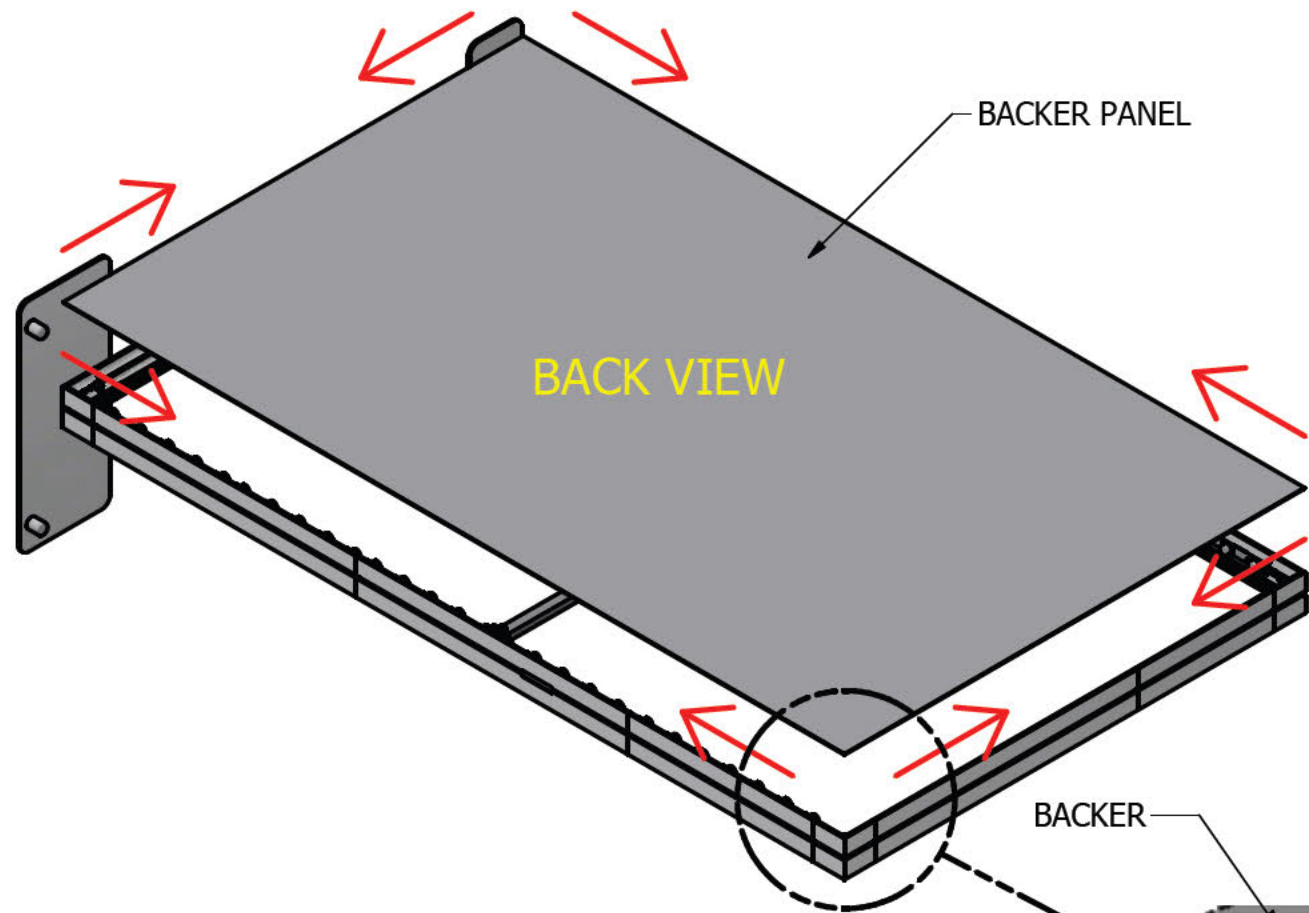
# STEP SIX: RDT4-51x86.5F-C FRAME ASSEMBLY "B"



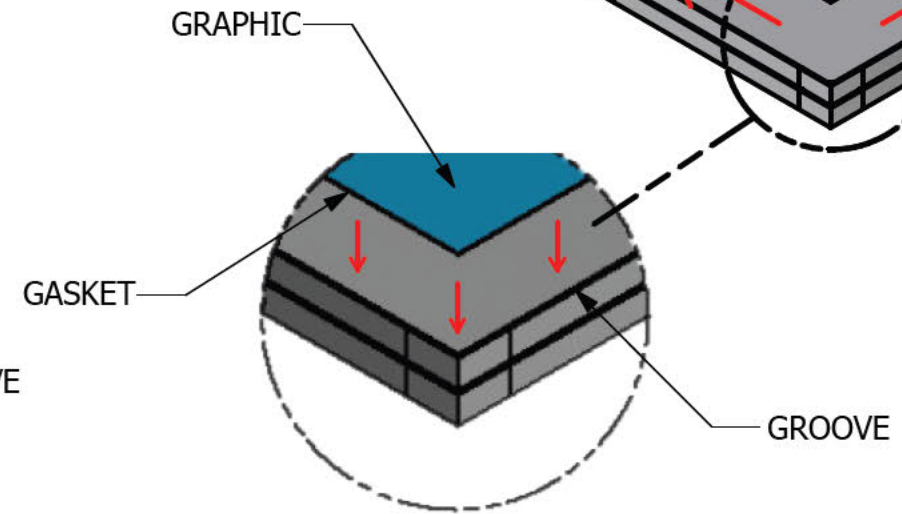
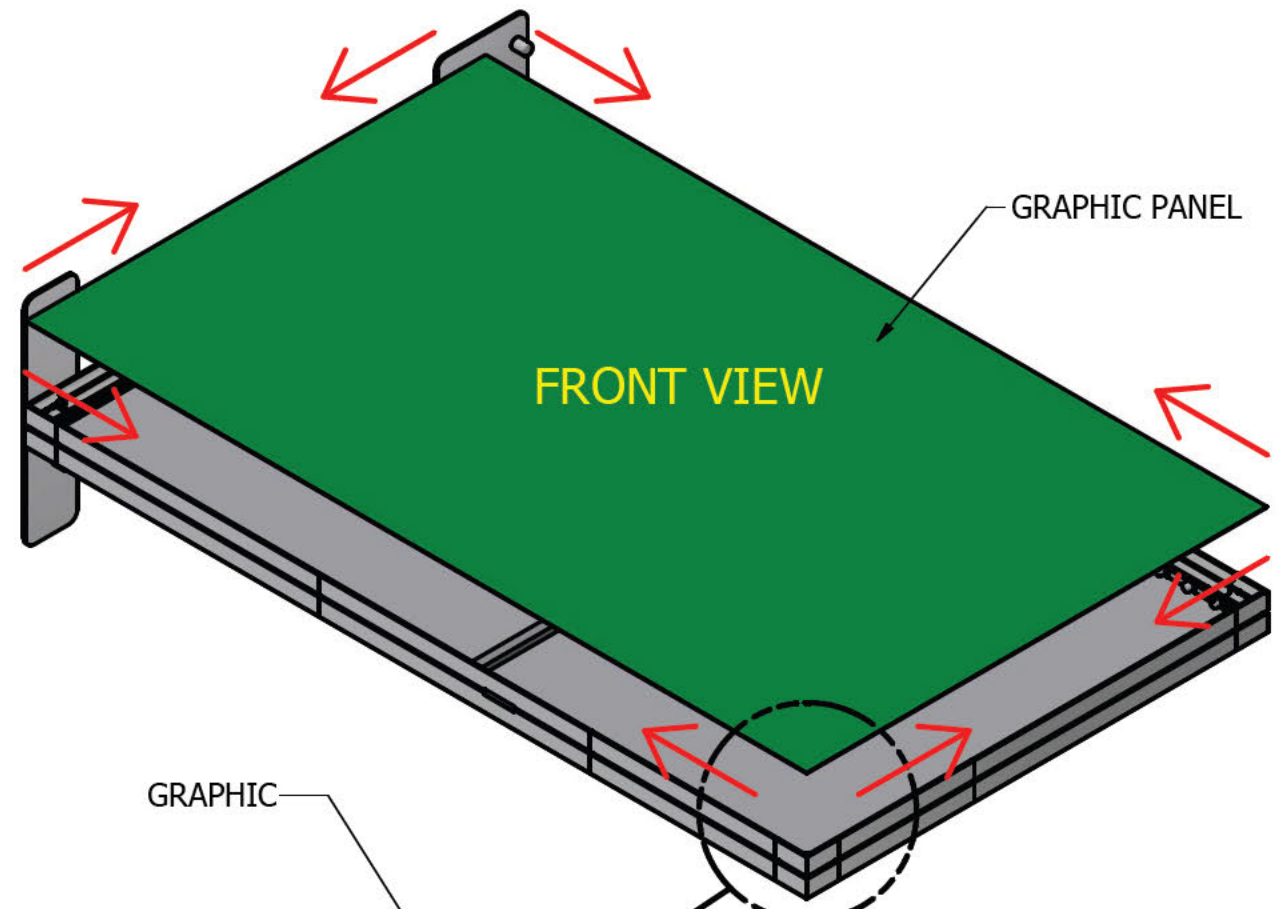
## ASSEMBLY:

- 1) RAISE UP THE BOTTOM OF THE FRAME AND INSTALL THE BASEPLATES BY INSERTING THEM INTO THE SLOT ON THE BOTTOM OF THE FRAME AND SECURING WITH PROVIDED THUMBSCREWS.
- 2) CONNECT THE LEADS BETWEEN LIGHT STRIPS.
- 3) RUN THE WIRE ALONG THE BOTTOM OF THE FRAME THROUGH THE WIRE MANAGEMENT CLIPS.

# STEP SEVEN: RDT4-51x86.5F-C FRAME ASSEMBLY "B"



PUSH GASKET INTO FRAME GROOVE STARTING AT A CORNER AND WORKING AROUND THE FRAME

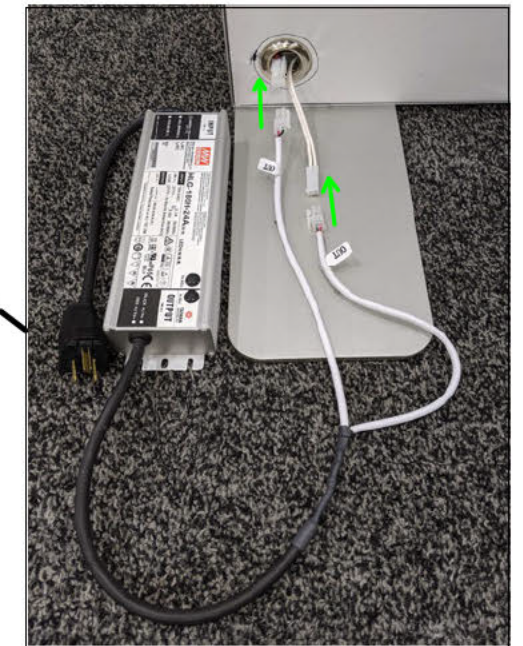
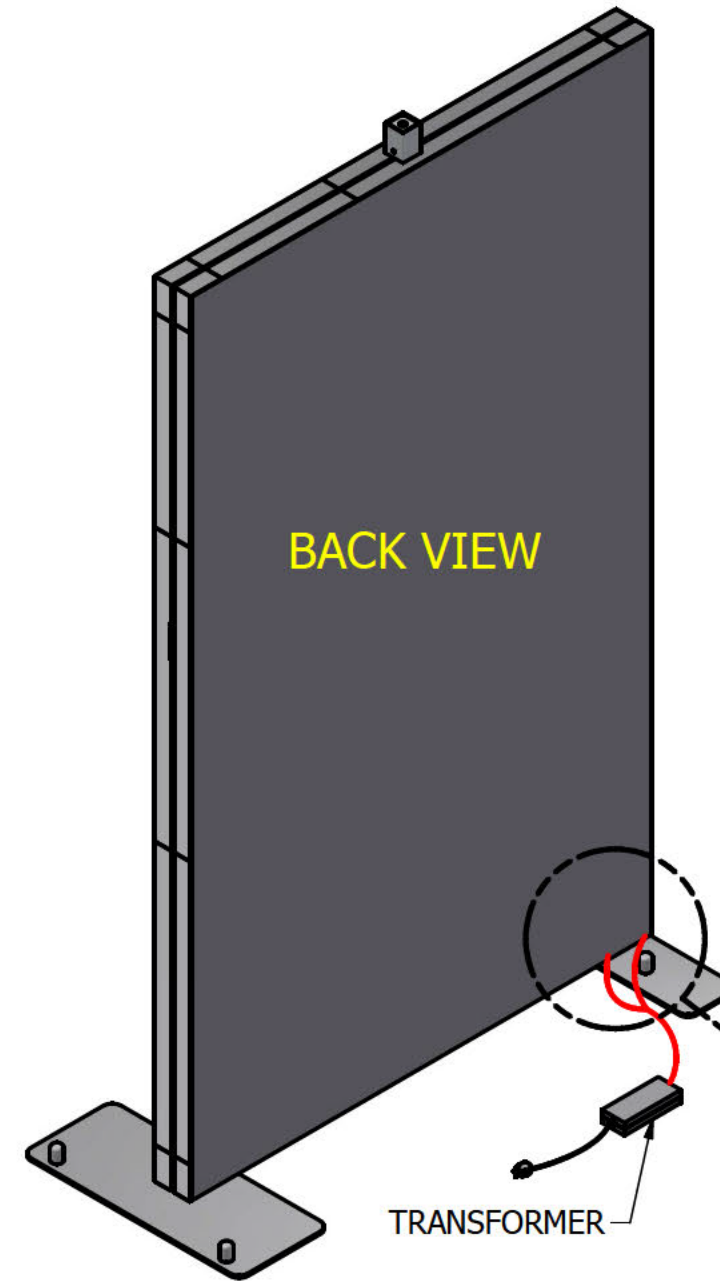
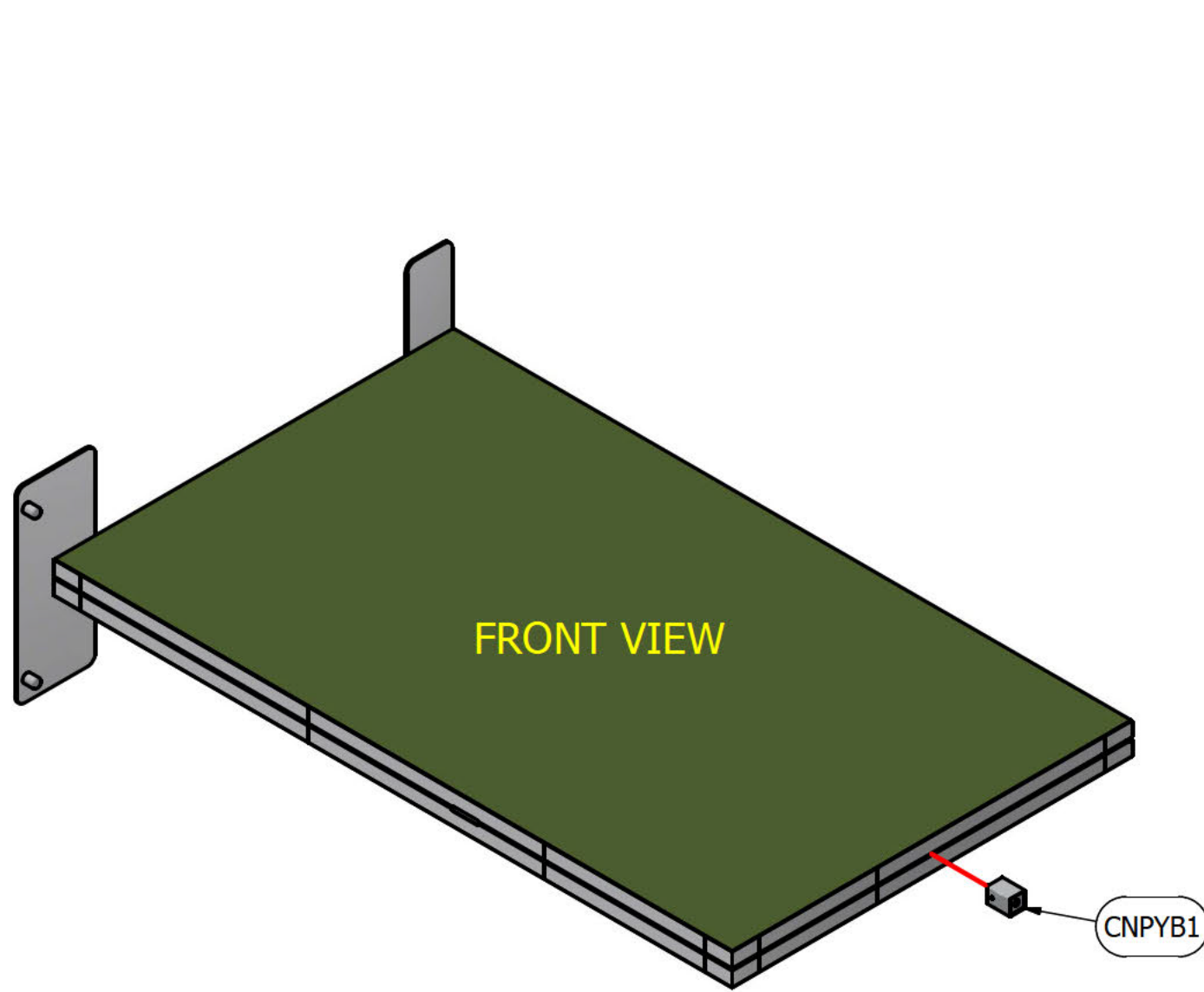


PUSH GASKET INTO FRAME GROOVE STARTING AT A CORNER AND WORKING AROUND THE FRAME

## ASSEMBLY:

- 1) LAY BACKER OVER THE BACK OF THE FRAME. PUSH THE GASKET INTO THE FRAME GROOVE, START AT THE CORNERS AND WORK TOWARD THE CENTER OF FRAME.
- 2) FLIP THE FRAME OVER AND LAY THE GRAPHIC OVER THE FRONT OF THE FRAME, PUSH THE GASKET INTO THE FRAME GROOVE, START AT THE CORNERS AND WORK TOWARD THE CENTER OF FRAME.

# STEP EIGHT: RDT4-51x86.5F-C FRAME ASSEMBLY "B"



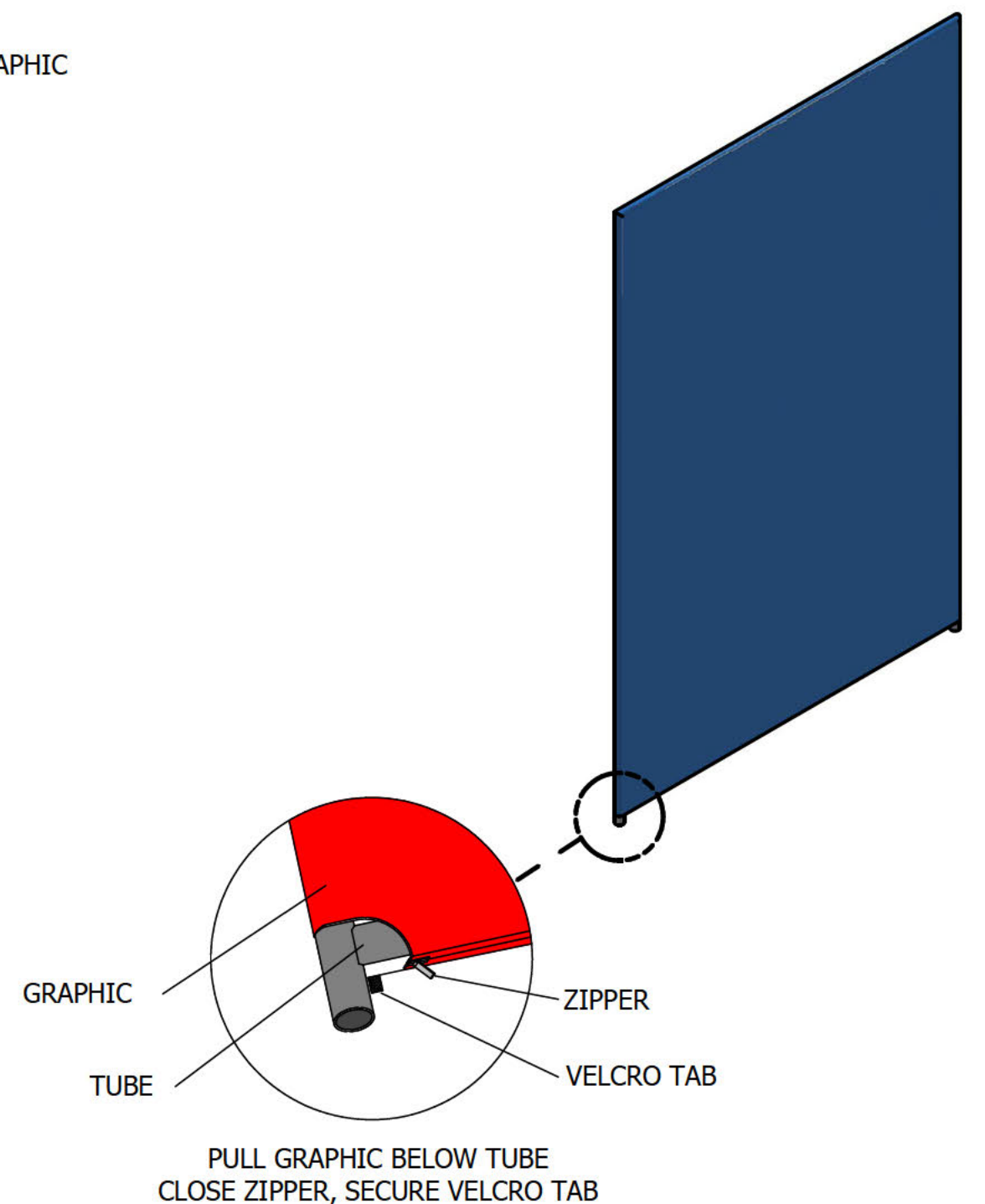
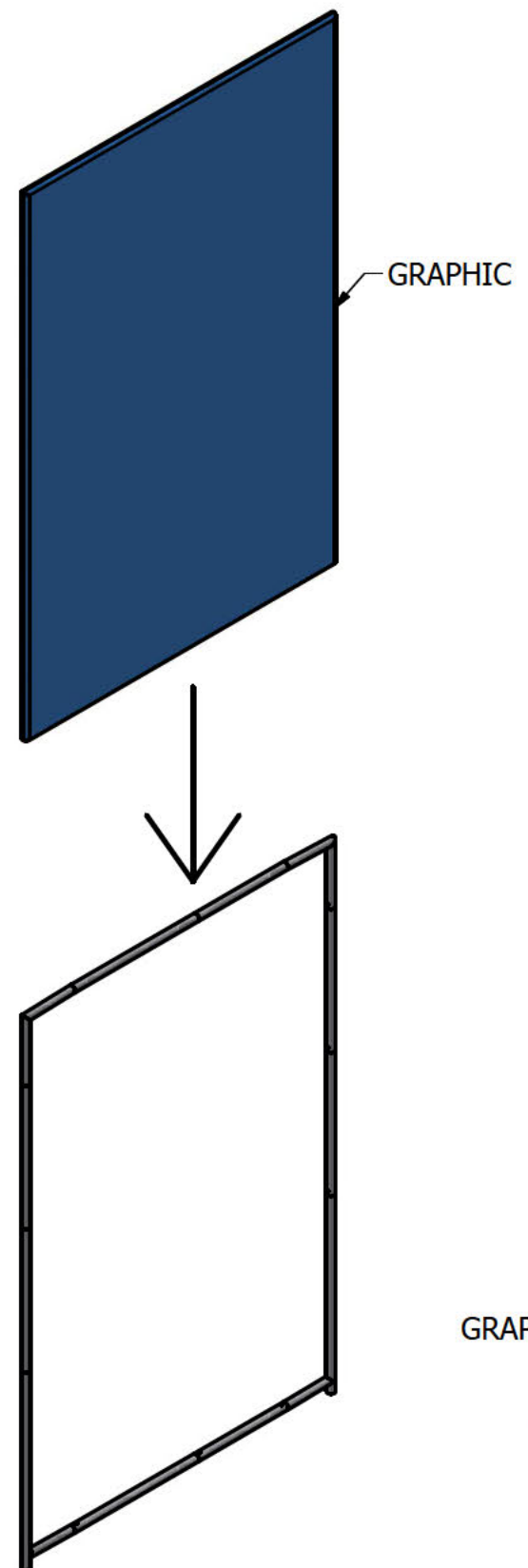
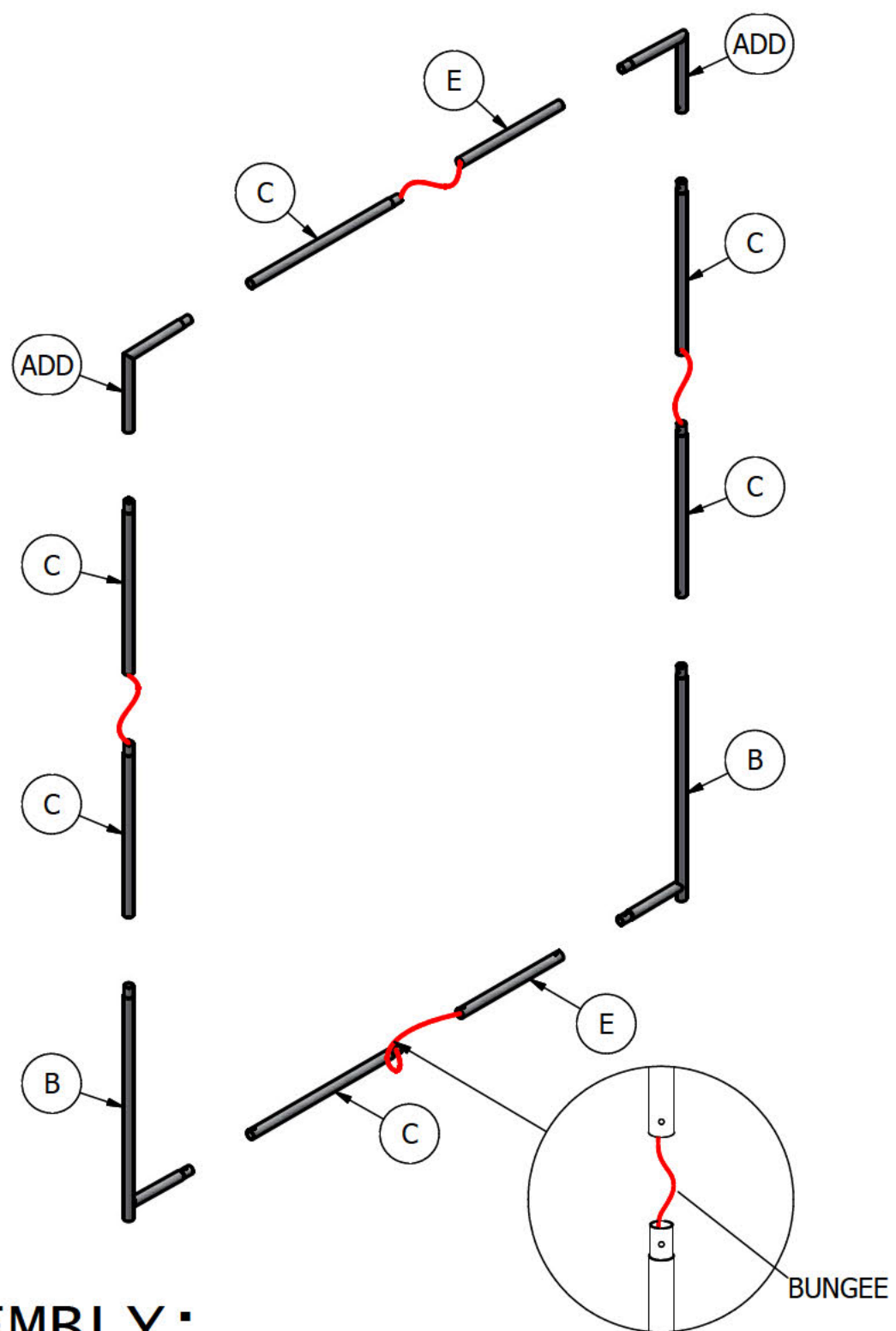
## ASSEMBLY:

- 1) INSERT CNPYB1 BRACKET(S) INTO THE TOP OF THE FRAME.
- 2) STAND THE FRAME UP AND ROTATE SO THE GRAPHICS ARE TO THE FRONT OF BOOTH SPACE.
- 3) CONNECT THE TWO WIRES FROM THE LIGHTS TO THE TRANSFORMER IN THE BACK SIDE OF THE FRAME.

CONNECT LEADS FROM TRANSFORMER TO LIGHTS IN FRAME (REMOVE BACKER CORNER FROM GASKET TRACK IF NEEDED)

# STEP NINE: MDA6X8F FRAME ASSEMBLY "C" (2X)

MATERIAL LIST		
ITEM	QTY	PART NUMBER
B	2	MDBSB
C	6	MDBSC
E	2	MDBSE
ADD	2	MDADD



## ASSEMBLY:

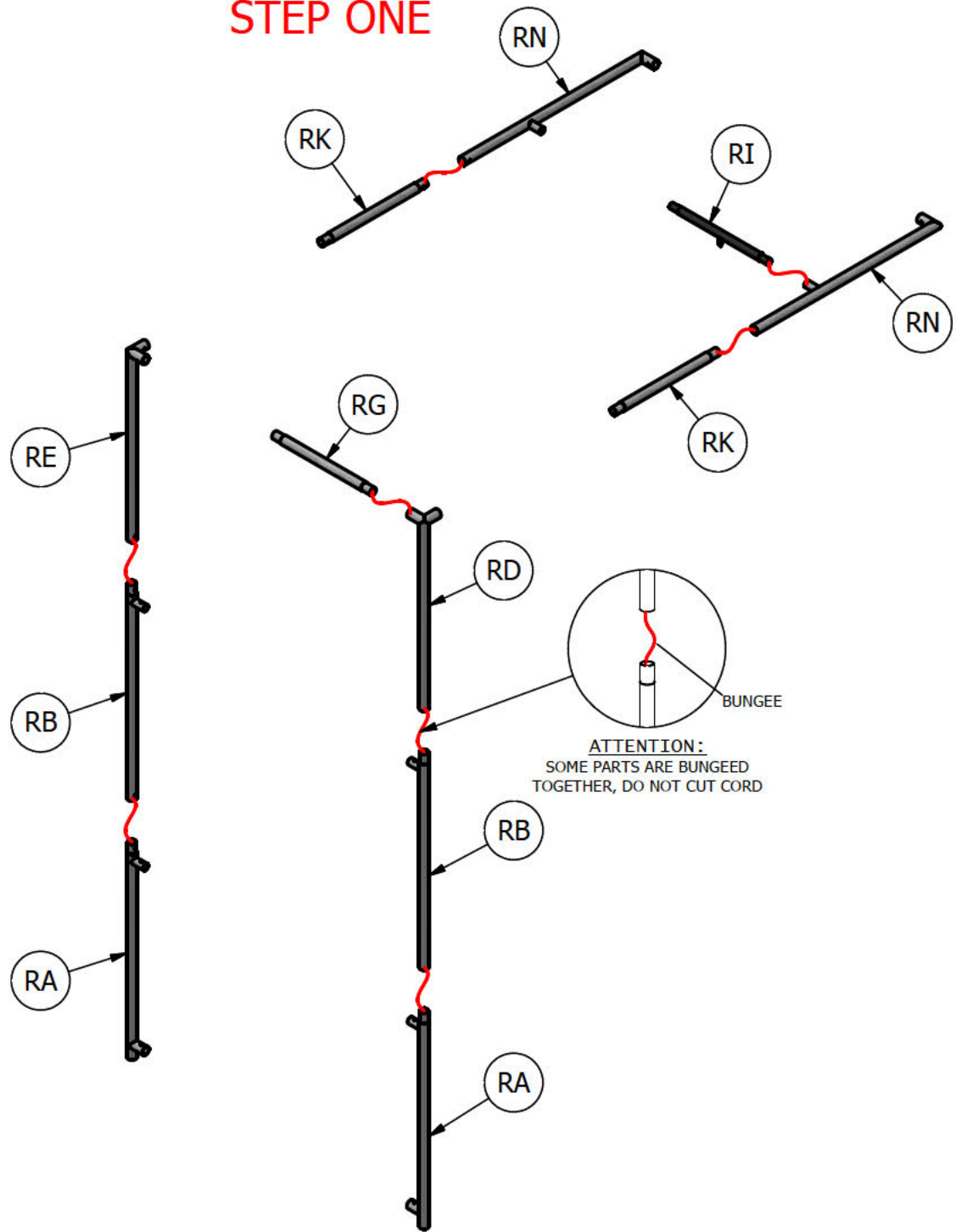
- 1) ASSEMBLE FRAME
- 2) STRETCH FABRIC GRAPHIC OVER FRAME FROM THE TOP DOWN MAKING SURE GRAPHIC IS ORIENTATED CORRECTLY AND ZIPPER IS AT BOTTOM

**ATTENTION:**  
SOME PARTS ARE BUNGEEED TOGETHER, DO NOT CUT CORD

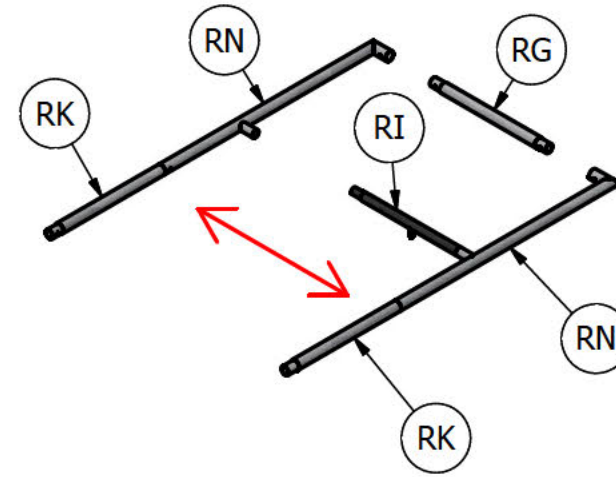
# STEP TEN: MDA-CNPY-2 FRAME ASSEMBLY "D" (2X)

MATERIAL LIST		
ITEM	QTY	PART NUMBER
RA	2	MDBSRA
RB	2	MDBSRB
RD	1	MDBSRD
RE	1	MDBSRE
RG	3	MDBSRG
RH	2	MDBSRH
RI	1	MDBSRI
RK	2	MDBSRK
RN	2	MDBSRN

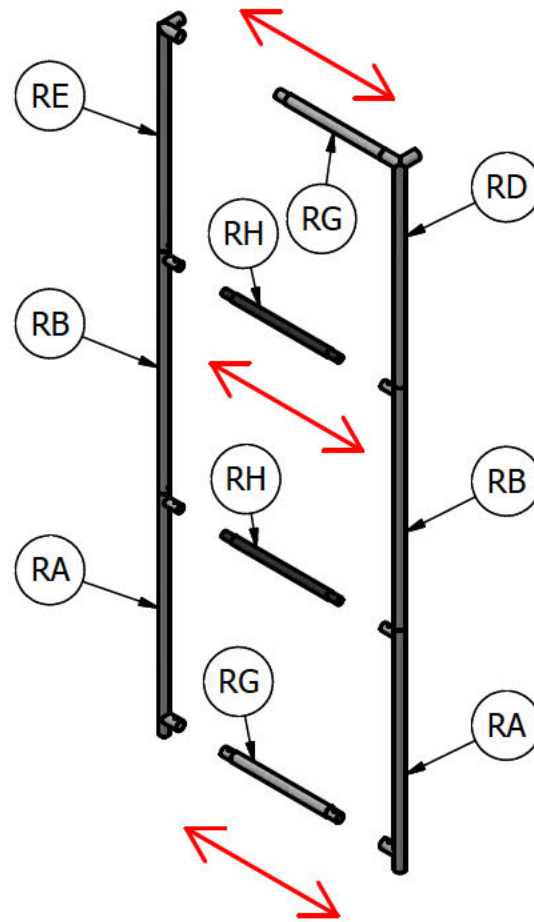
## STEP ONE



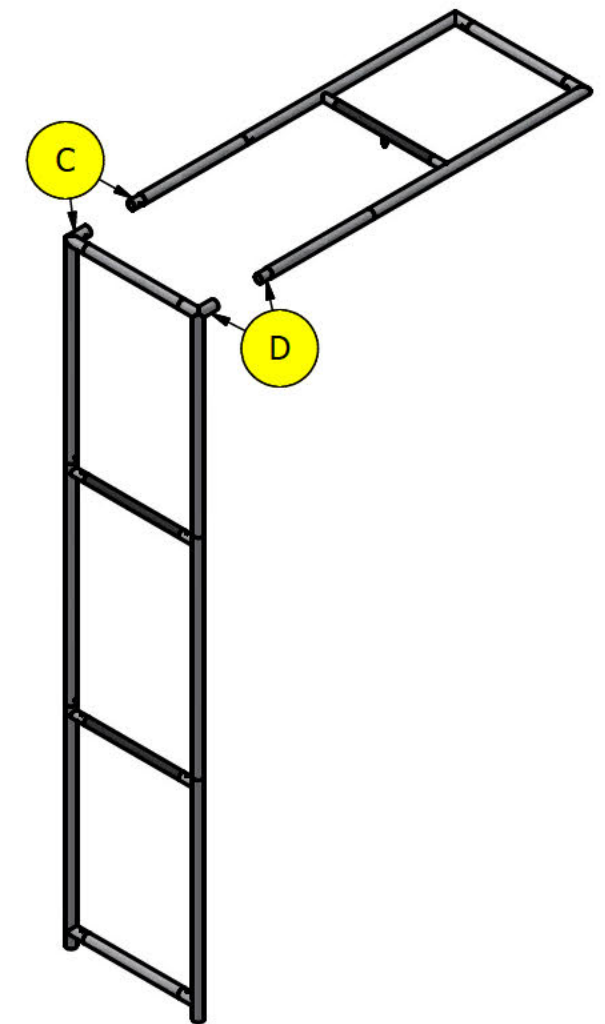
## STEP THREE



## STEP TWO



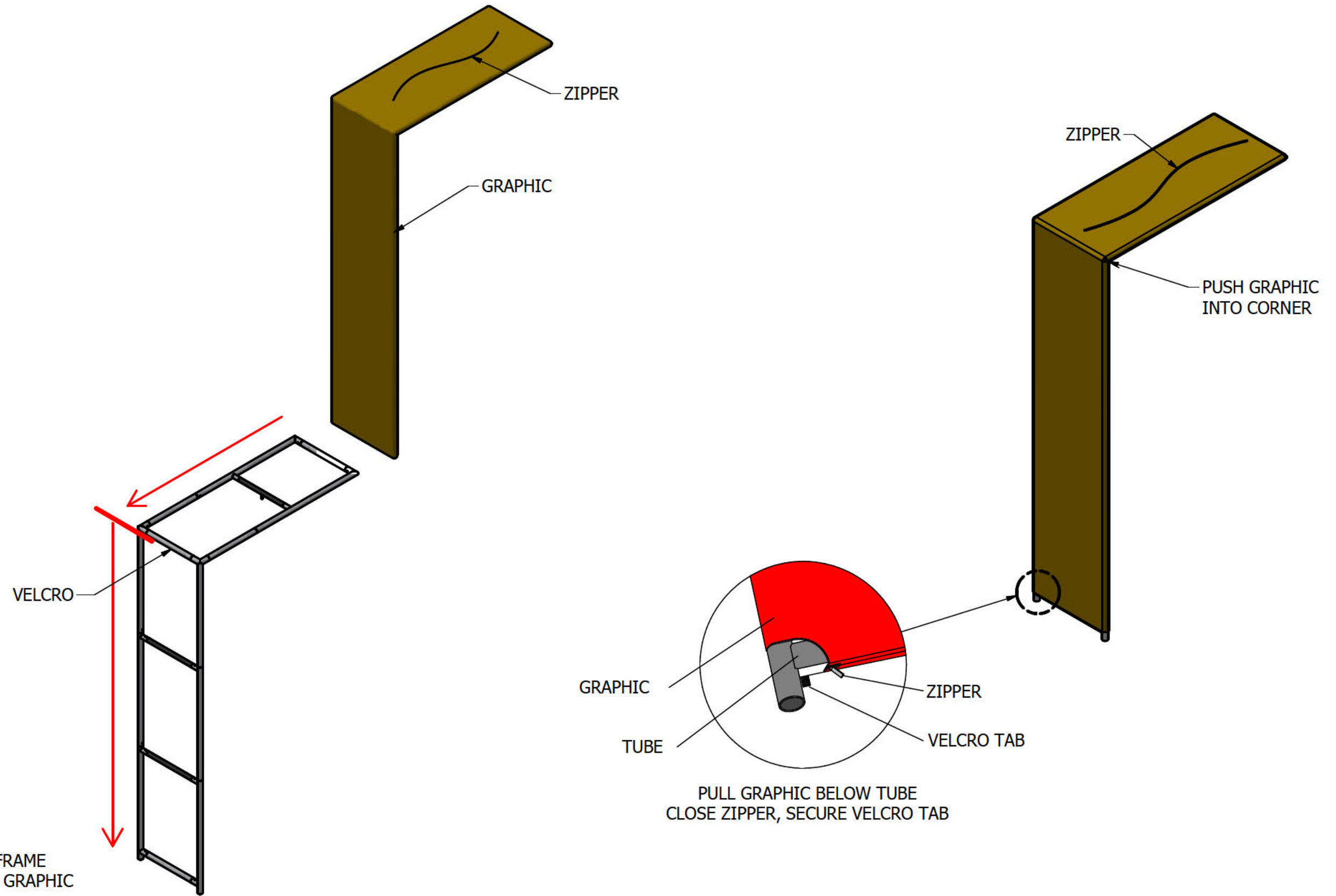
## STEP FOUR



### ASSEMBLY:

- 1) ASSEMBLE THE BUNGEEED SECTIONS OF FRAME
- 2) ASSEMBLE VERTICAL FRAME SECTION TOGETHER
- 3) ASSEMBLE HORIZONTAL FRAME SECTION TOGETHER
- 4) ASSEMBLE HORIZONTAL FRAME SECTION TO VERTICAL FRAME SECTION

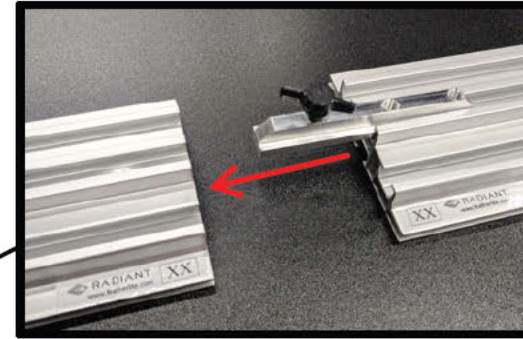
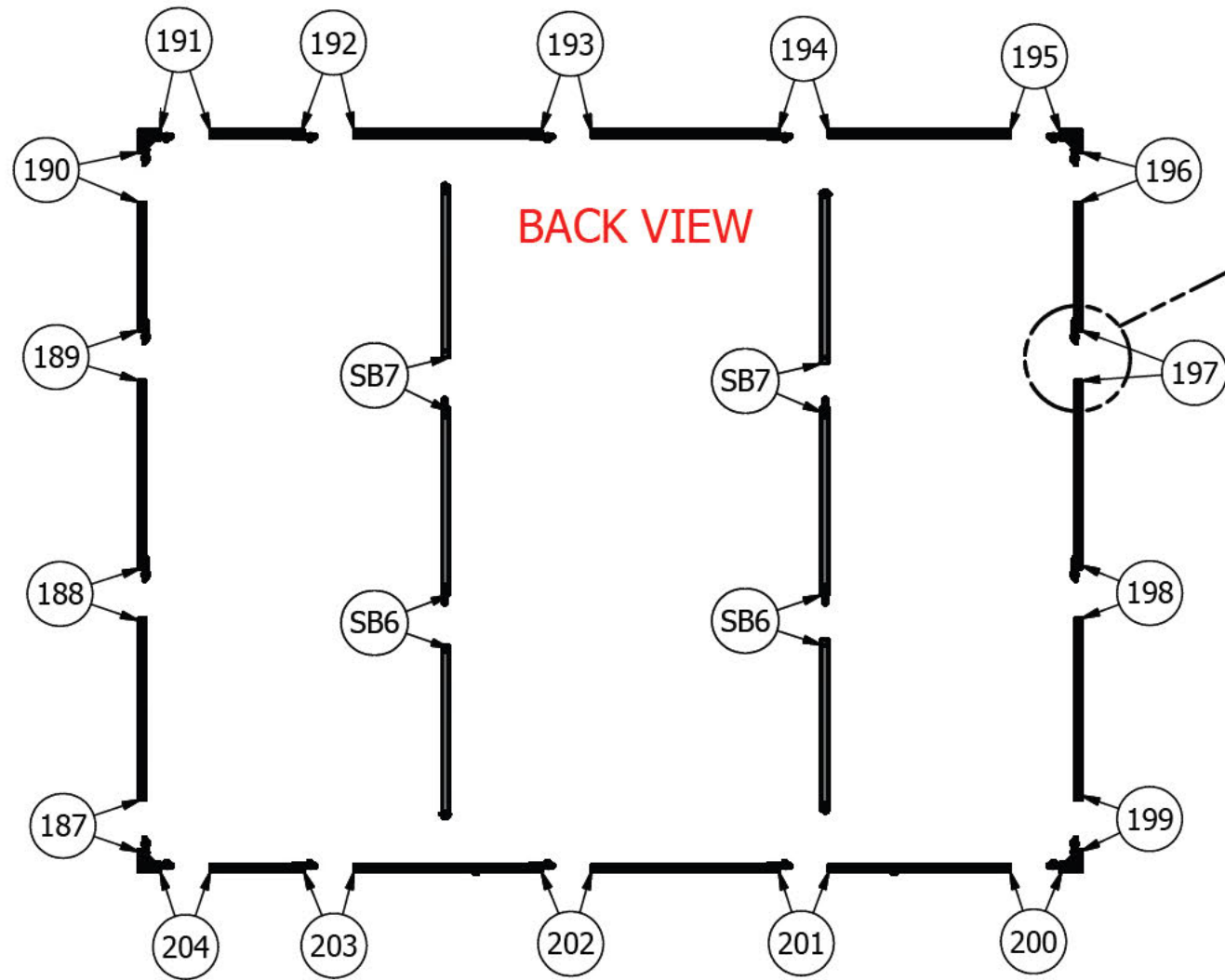
# STEP ELEVEN: MDA-CNPY-2 FRAME ASSEMBLY "D" (2X)



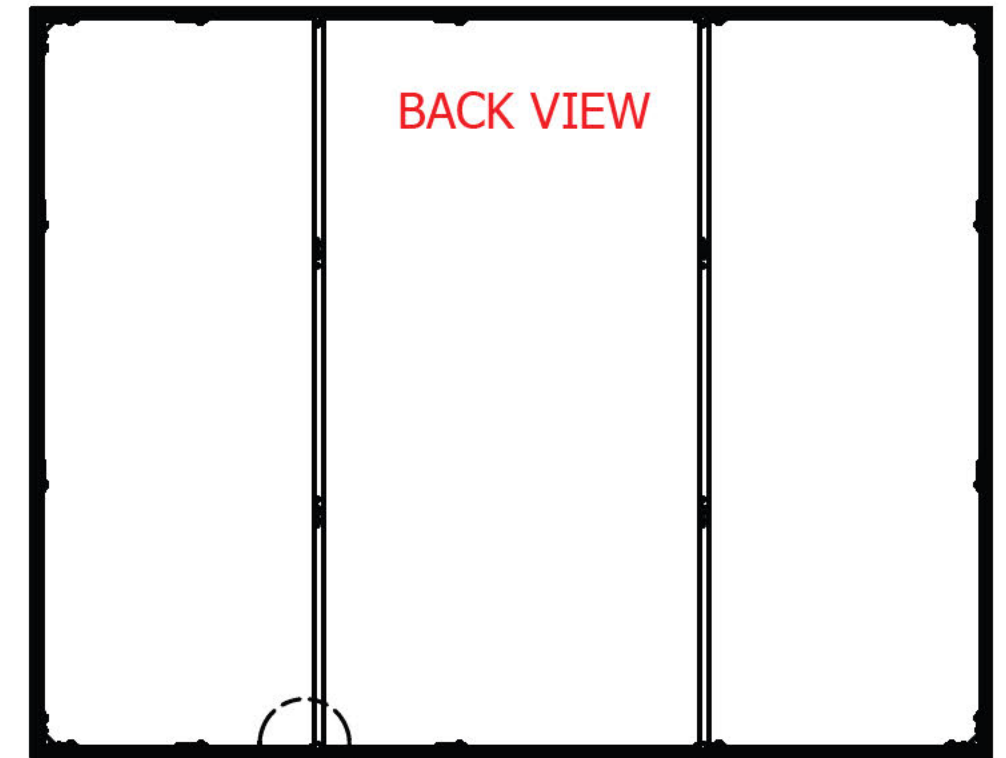
## ASSEMBLY:

- 1) SLEEVE FABRIC GRAPHIC OVER FRAME FROM TOP DOWN MAKING SURE GRAPHIC IS ORIENTED CORRECTLY

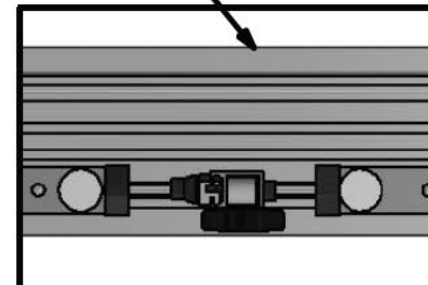
# STEP TWELVE: RDT4-111x86.5F FRAME ASSEMBLY "E"



ASSEMBLE THEN TIGHTEN THUMBSCREW TO SECURE

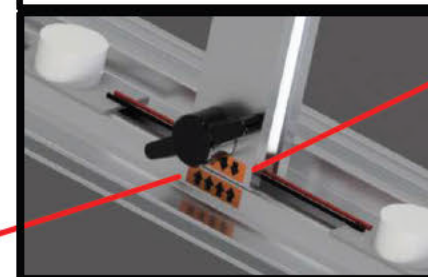


FRONT OF FRAME



SUPPORT BAR ARROW

FRAME ARROW

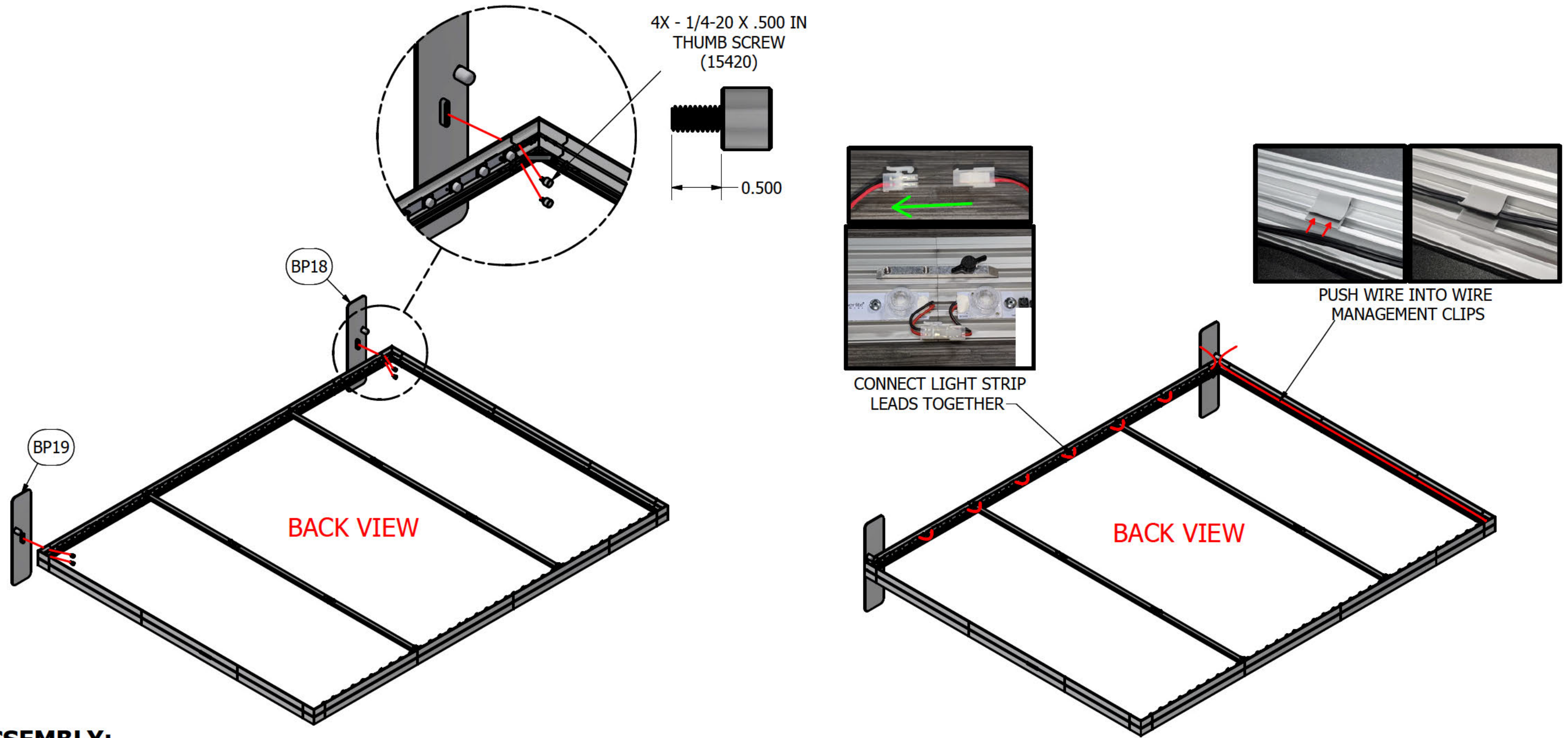


PLACE SPREADER BAR INTO REAR TRACK OF FRAME, ALIGN ARROWS ON SUPPORT BAR WITH ARROWS ON FRAME, TIGHTEN THUMBSCREW TO SECURE.

## ASSEMBLY:

- 1) ASSEMBLE THE FRAME BY CONNECTING THE PIECES WITH MATCHING NUMBERS. EACH PIECE SLIDES INTO THE TRACK OF THE NEXT PIECE, TIGHTEN THUMBSCREW TO SECURE.
- 2) PLACE SPREADER BAR INTO REAR TRACK OF FRAME, ALIGN ARROWS ON SUPPORT BAR WITH ARROWS ON FRAME, TIGHTEN THUMBSCREW TO SECURE.

# STEP THIRTEEN: RDT4-111x86.5F FRAME ASSEMBLY "E"



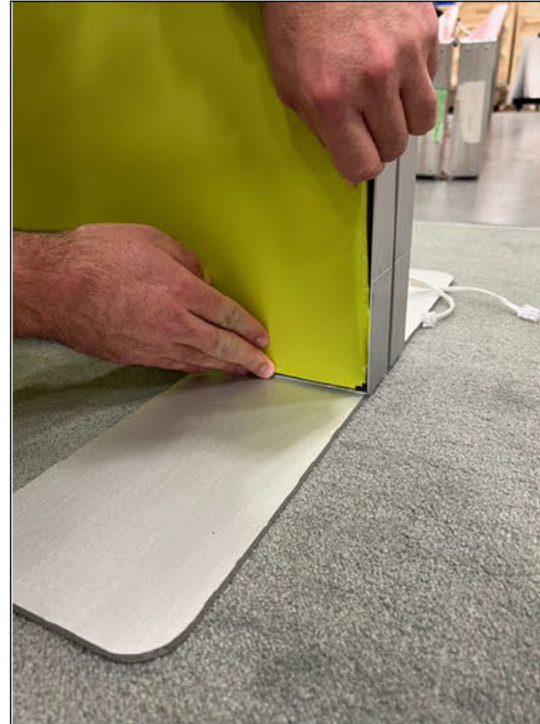
## ASSEMBLY:

- 1) RAISE UP THE BOTTOM OF THE FRAME AND INSTALL THE BASEPLATES BY INSERTING THEM INTO THE SLOT ON THE BOTTOM OF THE FRAME AND SECURING WITH PROVIDED THUMBSCREWS.
- 2) CONNECT THE LEADS BETWEEN LIGHT STRIPS.
- 3) RUN THE WIRE ALONG THE SIDE OF THE FRAME THROUGH THE WIRE MANAGEMENT CLIPS.

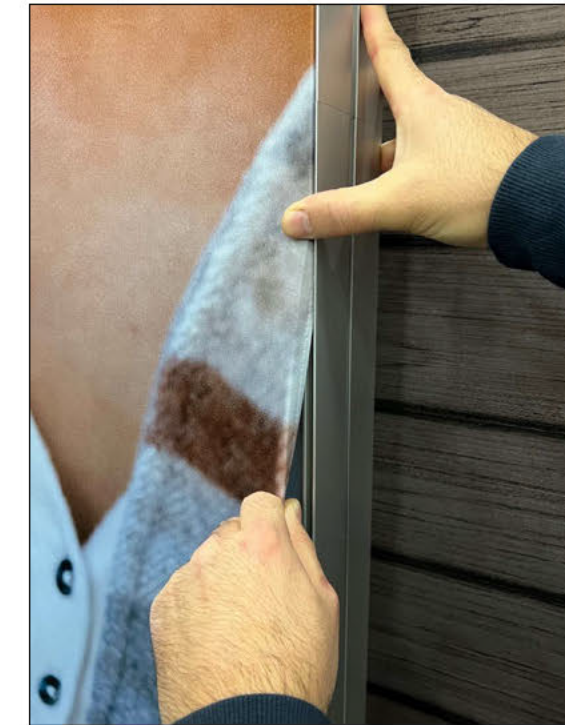
# RADIANT GRAPHIC / BACKER INSTALLATION



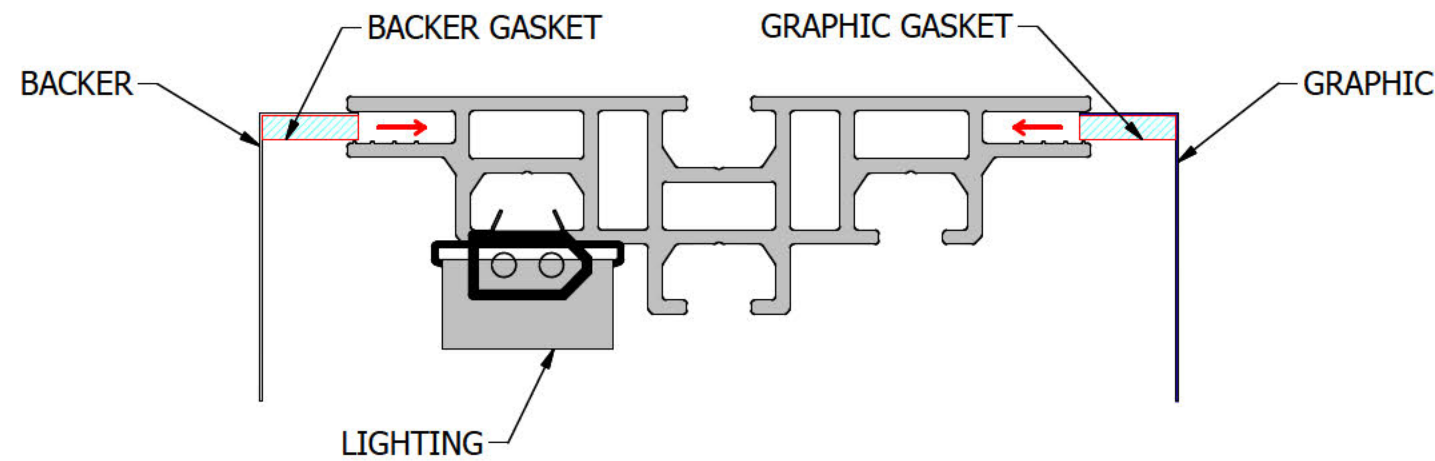
**STEP 1:** TAKE THE GASKET AND FOLD IT DOWN SO THAT THE GRAPHIC COVERS THE GASKET. PUSH THE GASKET INTO THE FRAME GROOVE, STARTING AT ONE OF THE TOP CORNERS, SLIDE THE GRAPHIC IN THE GROOVE ALONG THE TOP TO THE OTHER CORNER & DOWN THE SIDES BY APPROXIMATELY 12".



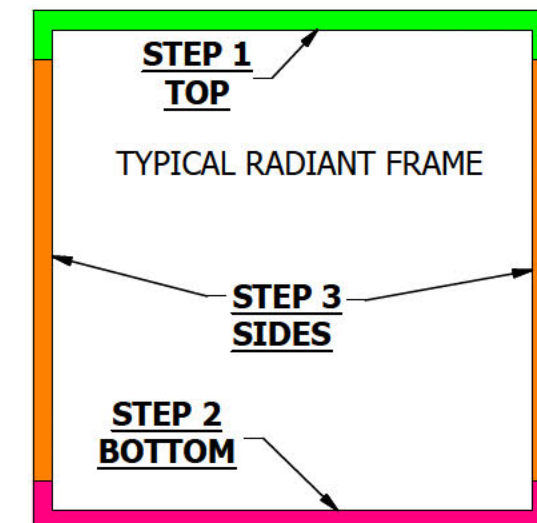
**STEP 2:** GO TO THE BOTTOM OF THE FRAME REPEAT STEP 1



**STEP 3:** FOR THE SIDES, PULL LIGHTLY ON THE GRAPHIC WITH ONE HAND, USE OTHER HAND TO PUSH THE GRAPHIC INTO GROOVE, AS SHOWN IN ABOVE PHOTO



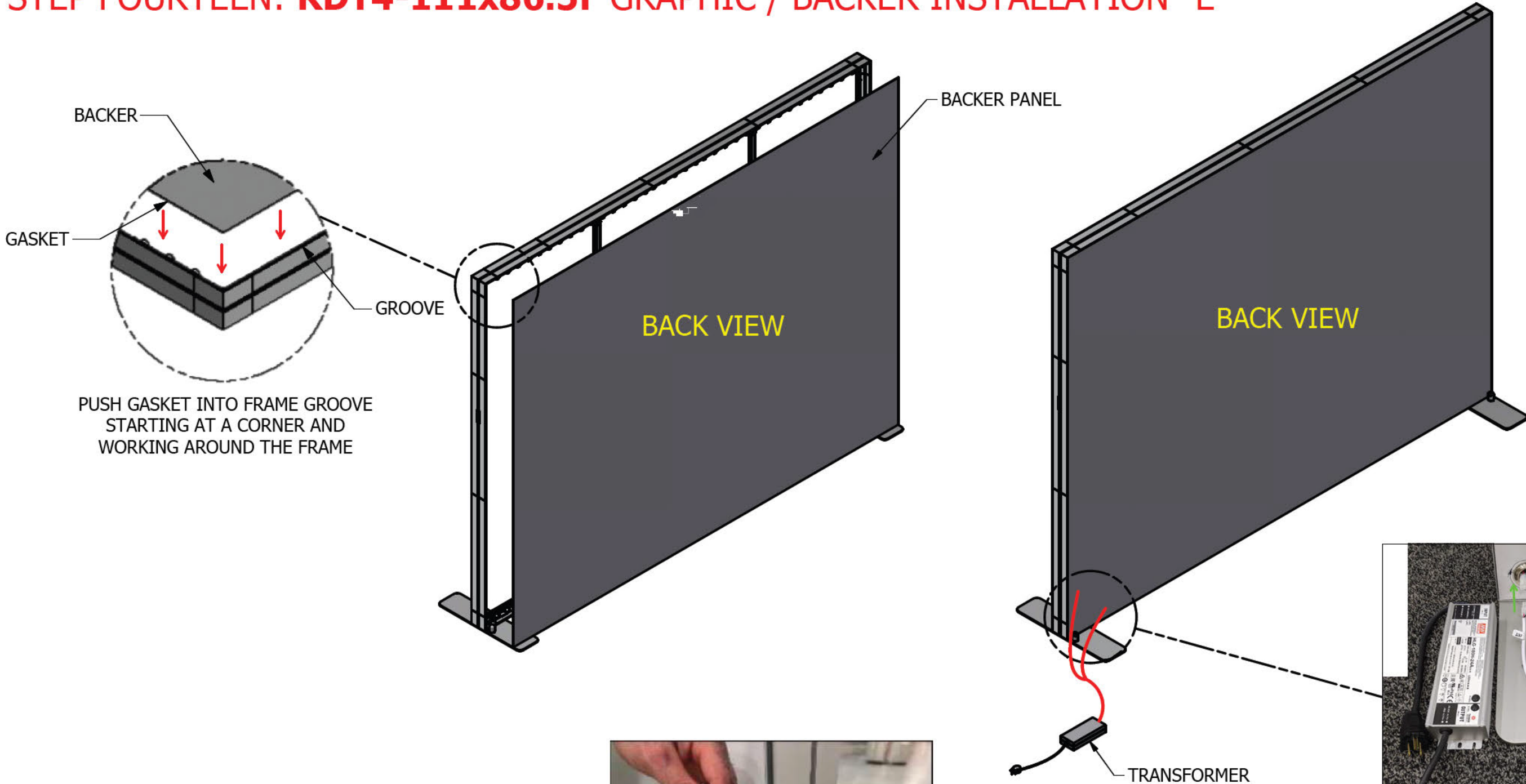
## RADIANT FRAME GRAPHIC/BACKER INSTALLATION SEQUENCE



### ASSEMBLY:

- 1) ATTACH THE BACKER TO THE FRAME FOLLOWING THE STEPS ABOVE
- 2) GO AROUND TO THE FRONT OF THE FRAME, ATTACH THE GRAPHIC TO THE FRAME FOLLOWING THE STEPS ABOVE

# STEP FOURTEEN: RDT4-111x86.5F GRAPHIC / BACKER INSTALLATION "E"

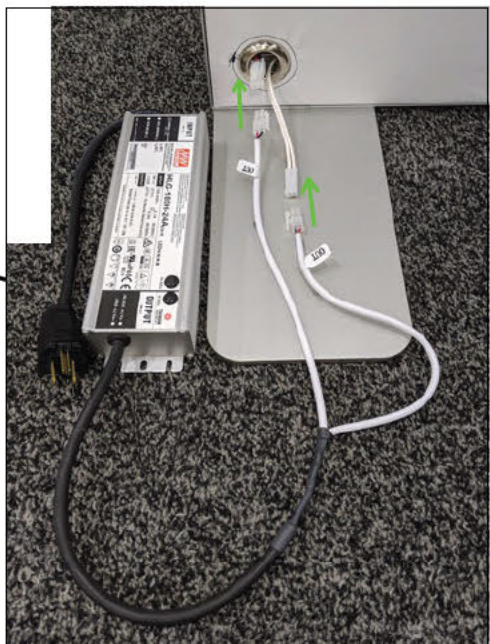
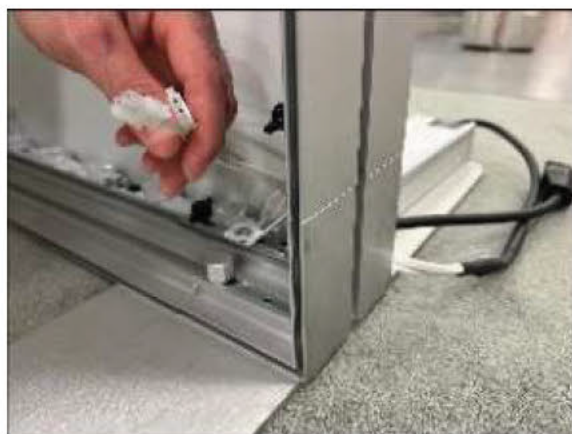


PUSH GASKET INTO FRAME GROOVE  
STARTING AT A CORNER AND  
WORKING AROUND THE FRAME

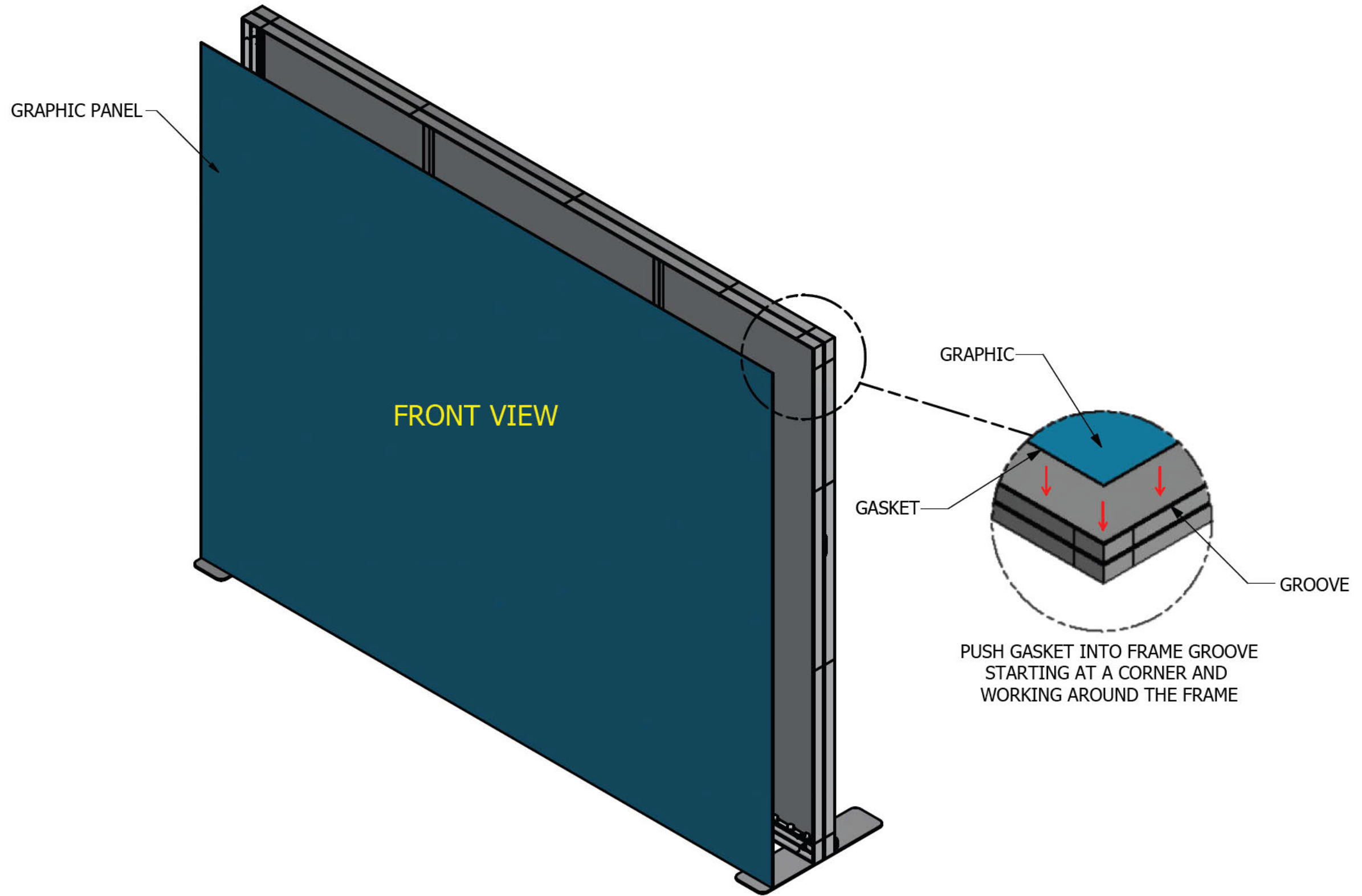
CONNECT LEADS FROM  
TRANSFORMER TO LIGHTS IN FRAME  
(REMOVE BACKER CORNER FROM GASKET TRACK IF NEEDED)

## ASSEMBLY:

- 1) ATTACH THE BACKER TO FRAME, FOLLOW STEPS AS SHOWN ON GRAPHIC/BACKER INSTALLATION PAGE
- 2) FEED LEADS FROM TRANSFORMER THROUGH GROMMET ACCESS IN BACKER TO LIGHTS IN FRAME & CONNECT



# STEP FIFTEEN: RDT4-111x86.5F GRAPHIC / BACKER INSTALLATION "E"

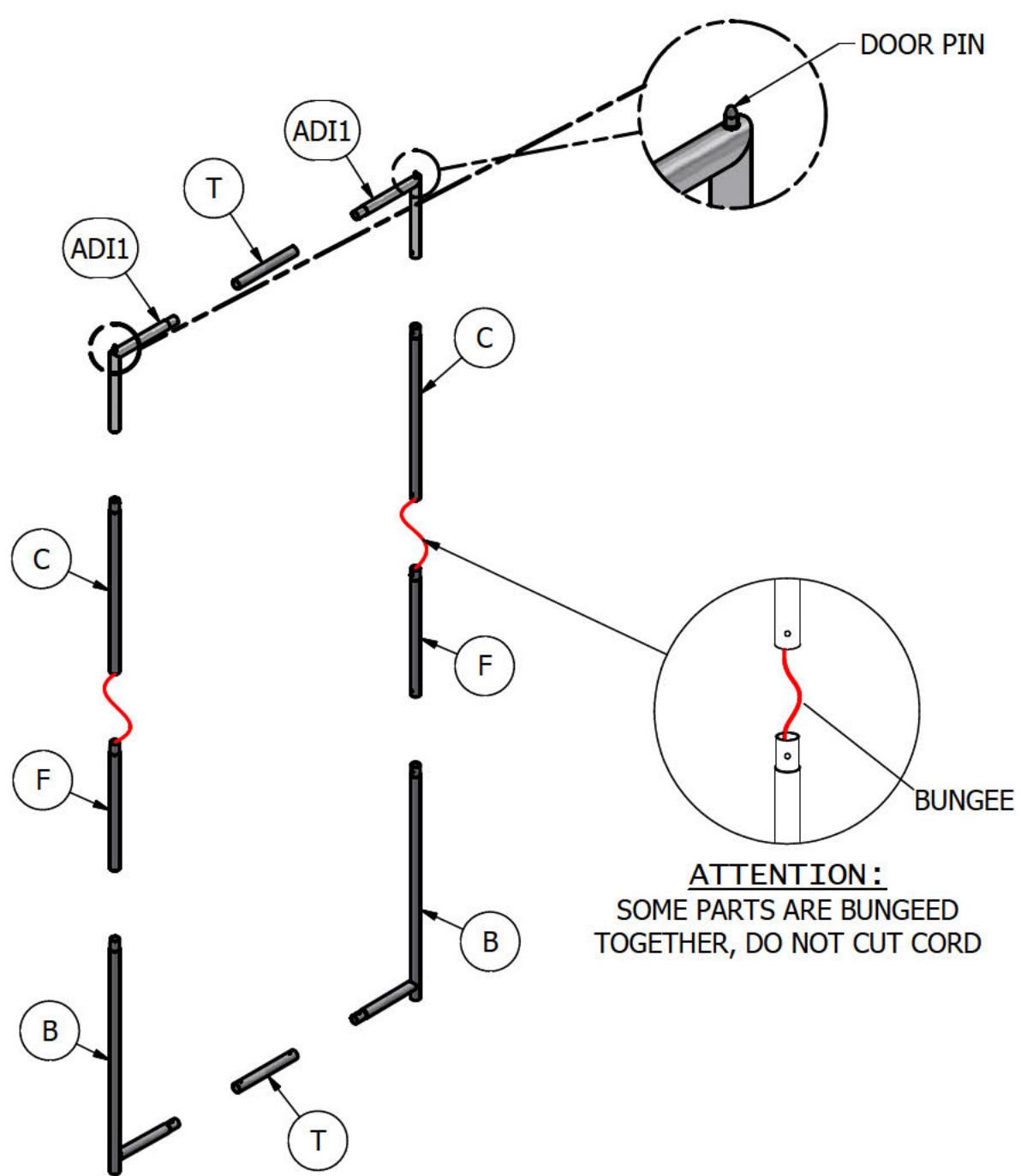


## ASSEMBLY:

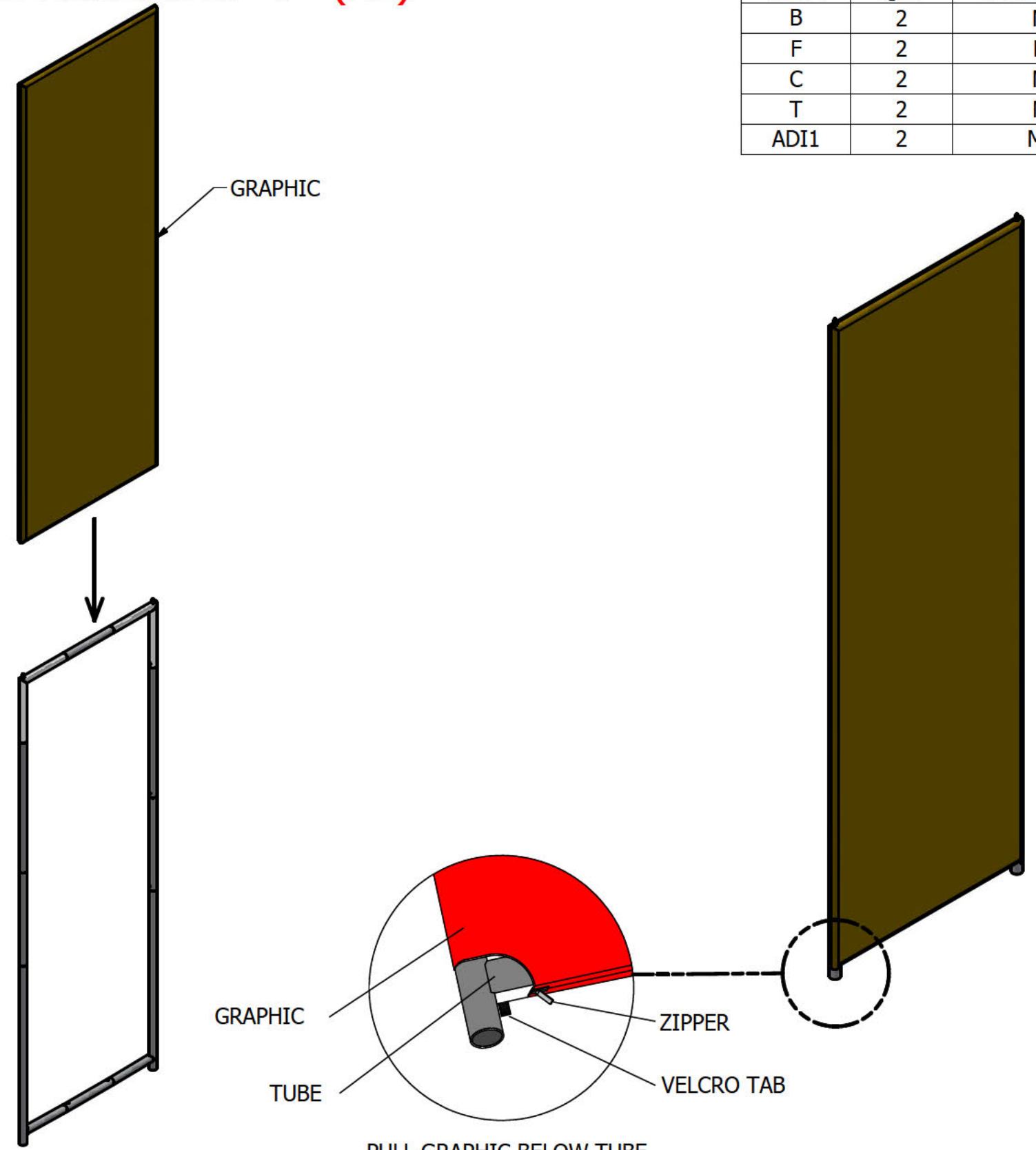
1) ATTACH GRAPHIC TO FRAME, FOLLOWING STEPS AS SHOWN IN GRAPHIC/BACKER INSTALLATION PAGE

# STEP SIXTEEN: MDA3X7F-DOOR CANOPY FRAME ASSEMBLY "F" (X2)

PARTS LIST		
ITEM	QTY	PART NUMBER
B	2	MDBSB
F	2	MDBSF
C	2	MDBSC
T	2	MDBST
ADI1	2	MDADI1



**ATTENTION:**  
SOME PARTS ARE BUNGEEED TOGETHER, DO NOT CUT CORD



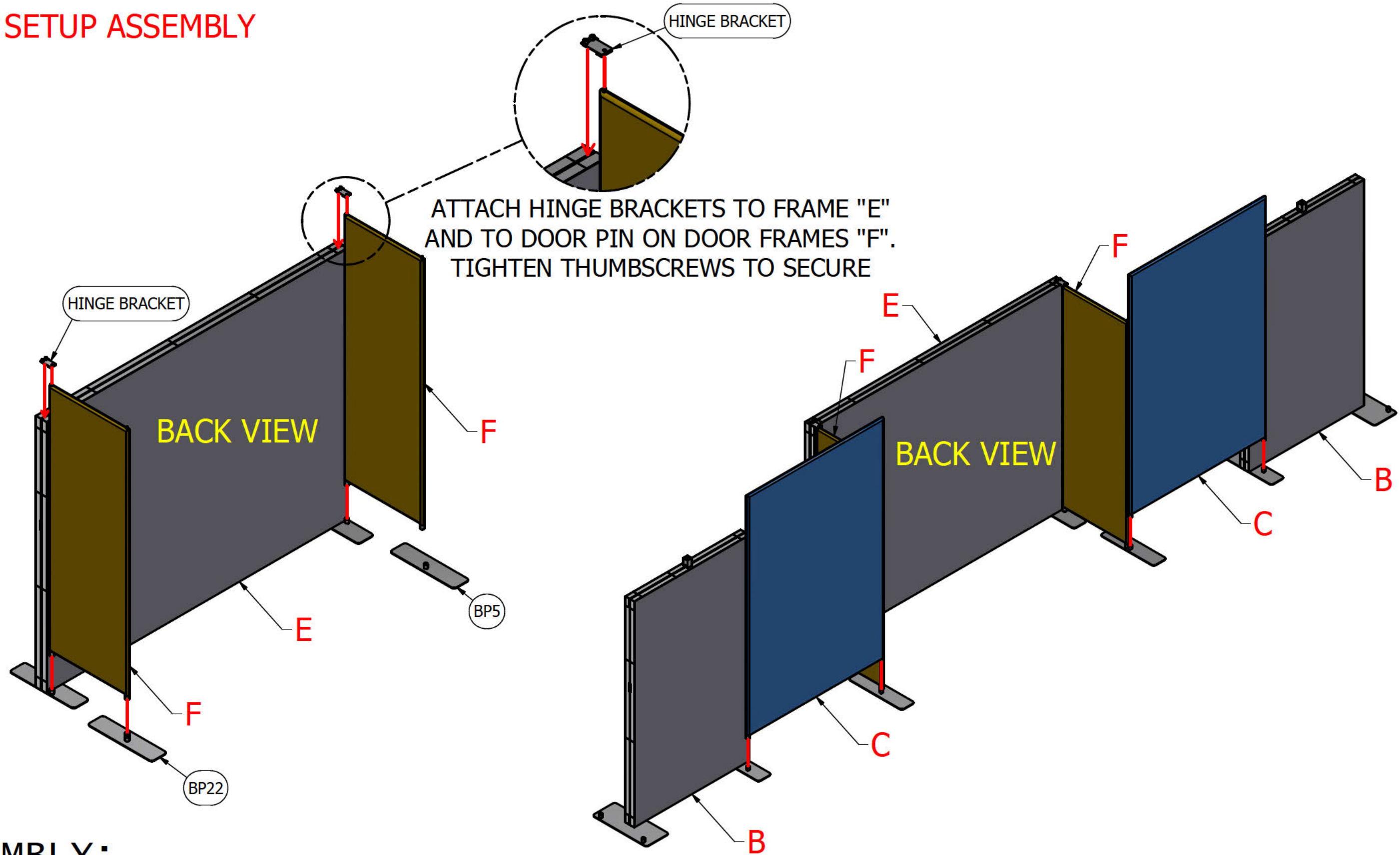
GRAPHIC  
TUBE  
ZIPPER  
VELCRO TAB

PULL GRAPHIC BELOW TUBE  
CLOSE ZIPPER, SECURE VELCRO TAB

## ASSEMBLY:

- 1) ASSEMBLE FRAME
- 2) STRETCH FABRIC GRAPHIC OVER FRAME FROM THE TOP DOWN MAKING SURE GRAPHIC IS ORIENTATED CORRECTLY AND ZIPPER IS AT BOTTOM

# FINAL SETUP ASSEMBLY

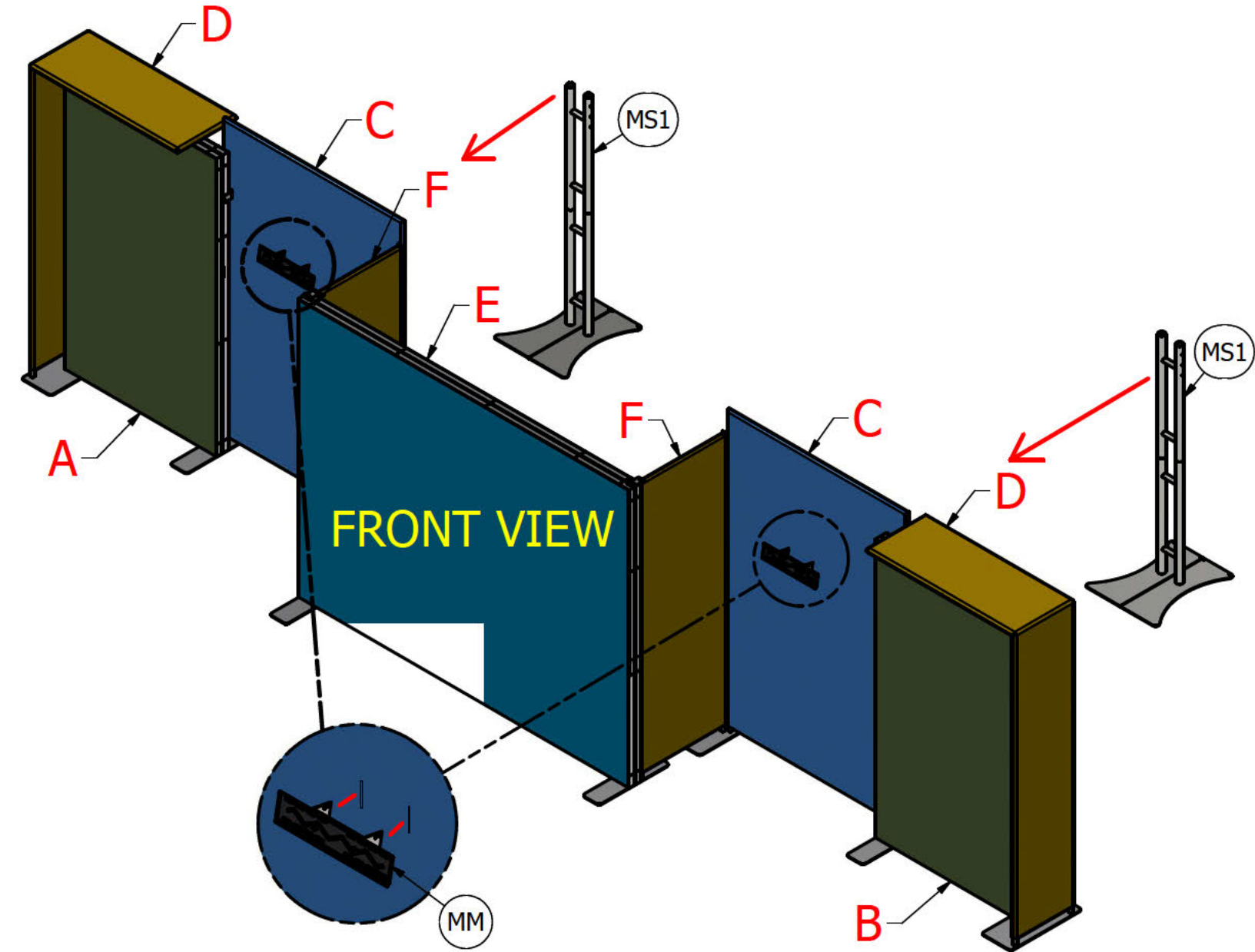
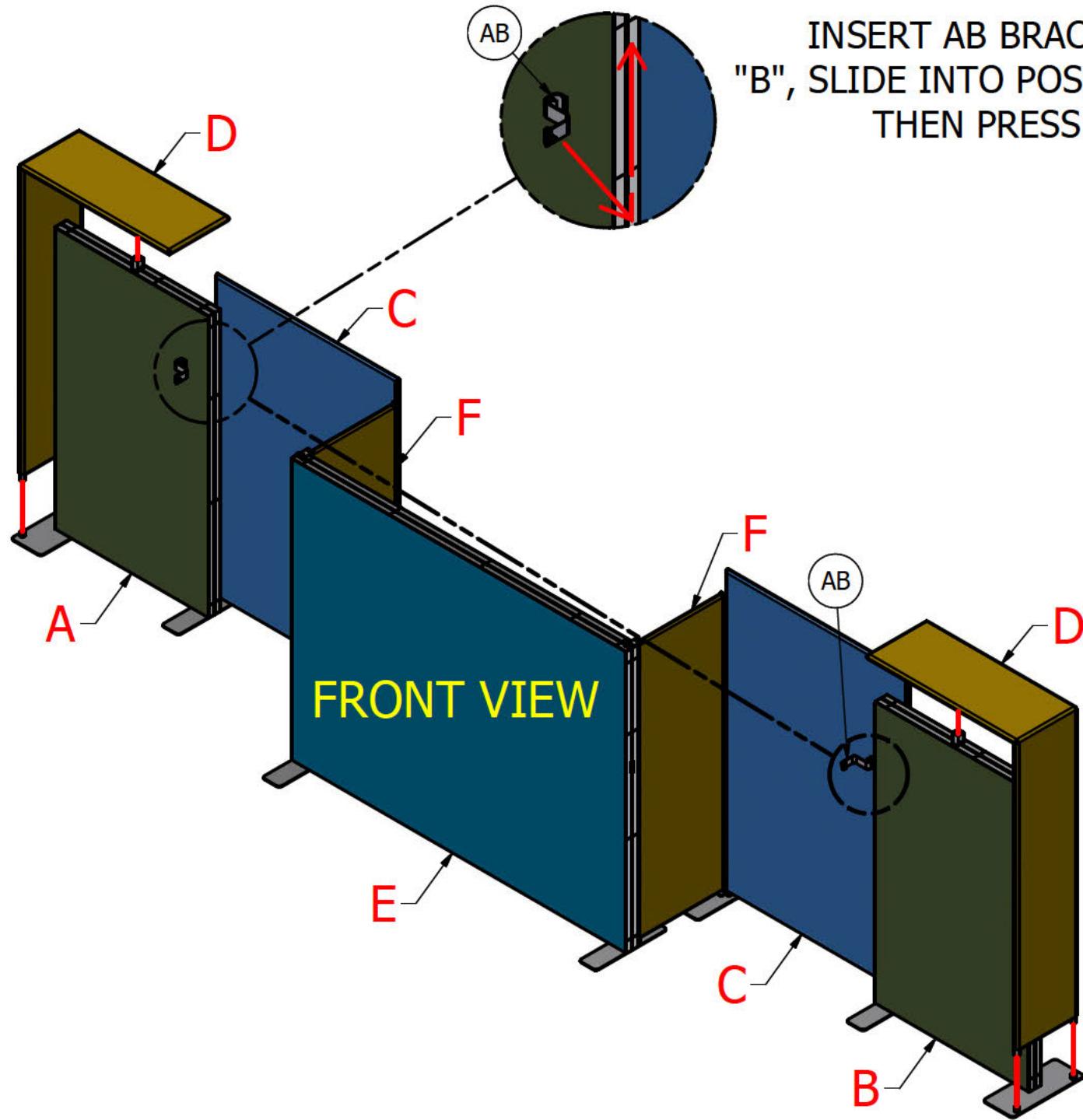


## ASSEMBLY:

- 1) STAKE COMPLETED FRAMES ON STUDS OF PRE-POSITIONED BASE PLATES.
- 2) ATTACH HINGE BRACKETS TO FRAME "E" AND TO DOOR PIN ON DOOR FRAMES "F". TIGHTEN THUMBSCREWS TO SECURE.

## FINAL SETUP ASSEMBLY CONTINUED

INSERT AB BRACKETS INTO SLOTS OF FRAMES "A" AND "B", SLIDE INTO POSITION, TIGHTEN THUMBSCREW TO SECURE, THEN PRESS BRACKET TO ATTACH TO FRAMES "C"



## ASSEMBLY:

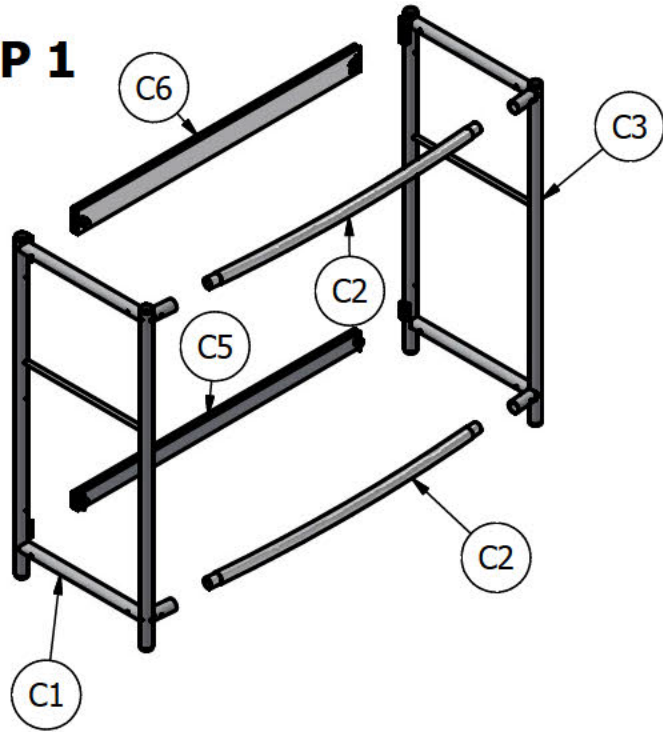
- 1) STAKE COMPLETED FRAMES ON STUDS OF PRE-POSITIONED BASE PLATES.
- 2) INSERT AB BRACKETS INTO SLOTS OF FRAMES "A" AND "B", SLIDE INTO POSITION, TIGHTEN THUMBSCREW TO SECURE, THEN PRESS BRACKET TO ATTACH TO FRAMES "C".
- 3) ATTACH HINGE BRACKETS TO FRAME "E" AND TO DOOR PIN ON DOOR FRAMES "F". TIGHTEN THUMBSCREWS TO SECURE.
- 4) ATTACH ACCESSORIES.

# MDBC1-BKLT COUNTER ASSEMBLY

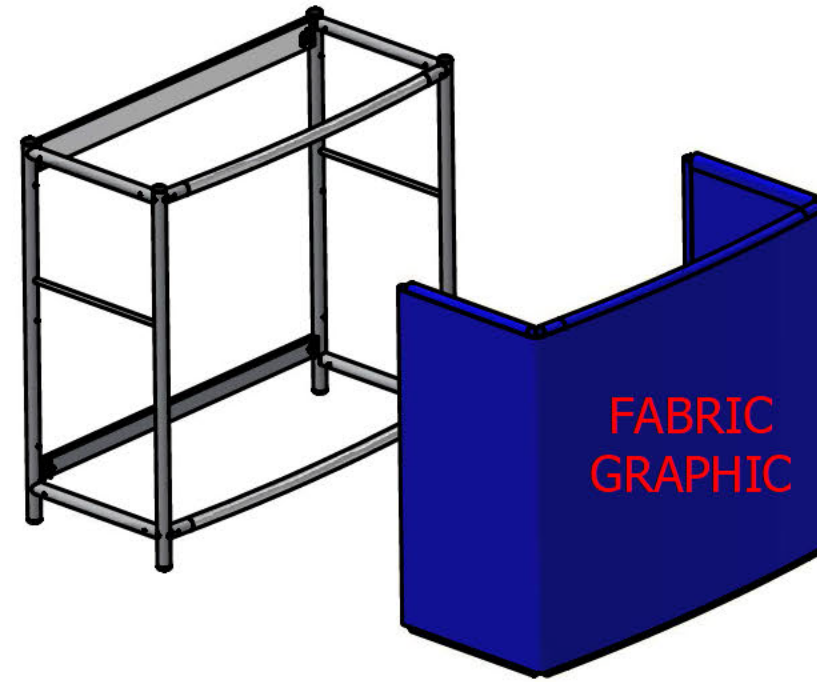
## MATERIAL LIST

ITEM	QTY	PART NUMBER
C1	1	MDBC1LS
C2	2	15499
C3	1	MDBC1RS
C5	1	15501
C6	1	15502
C7BKLT	1	MDBC1BS-BKLT
C8BKLT	1	MDBC1CS-BKLT
C9	1	MDBC1D
C10	1	MDBC1D
C11	1	MDBC1T
15867	1	15867
15859	1	15859
15969	1	15969

### STEP 1

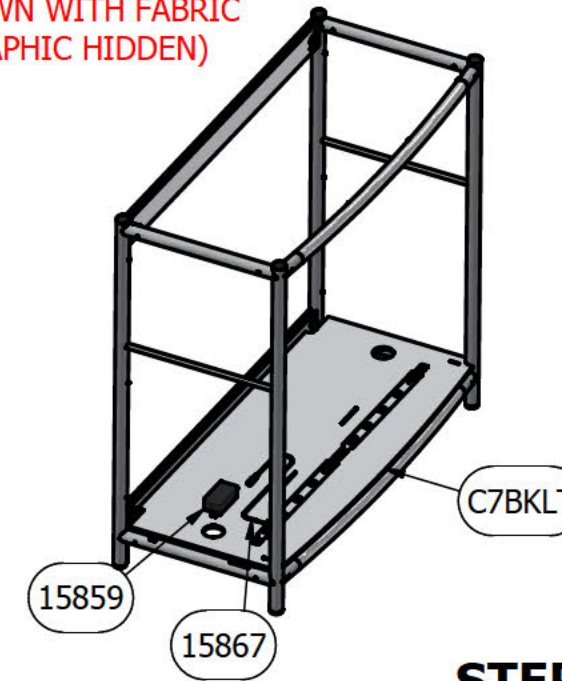


### STEP 2



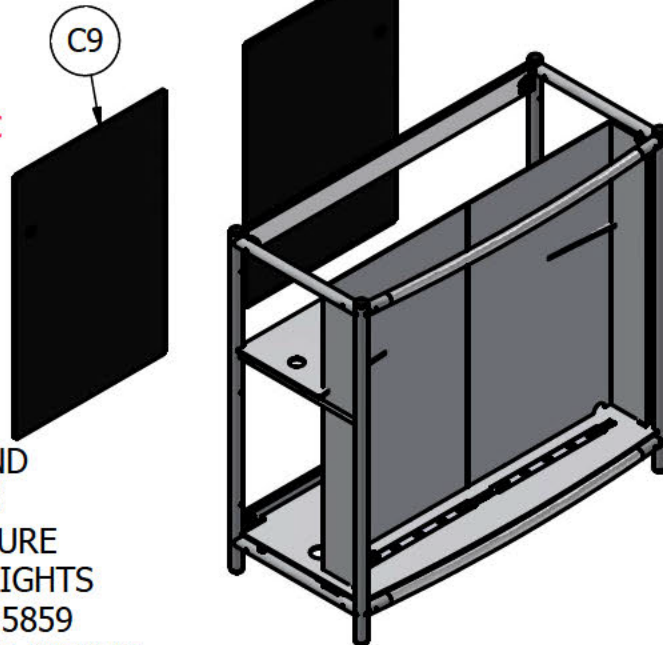
### STEP 3

(SHOWN WITH FABRIC GRAPHIC HIDDEN)



### STEP 6

(SHOWN WITH FABRIC GRAPHIC HIDDEN)

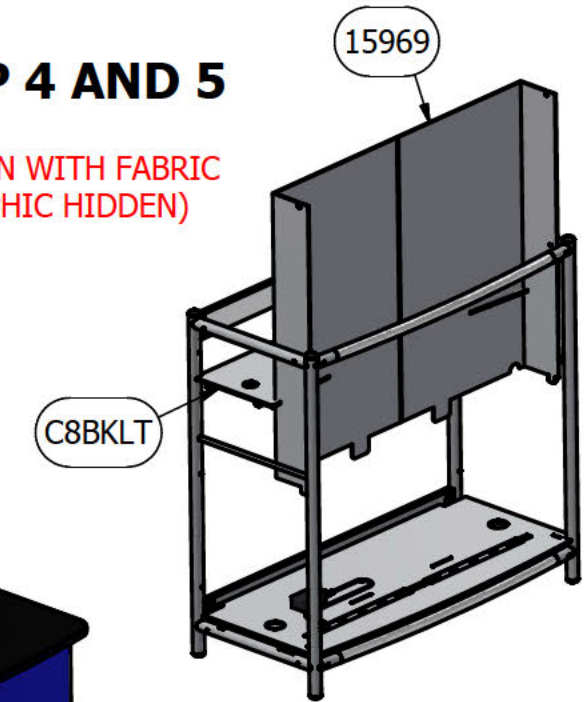


### STEP 7

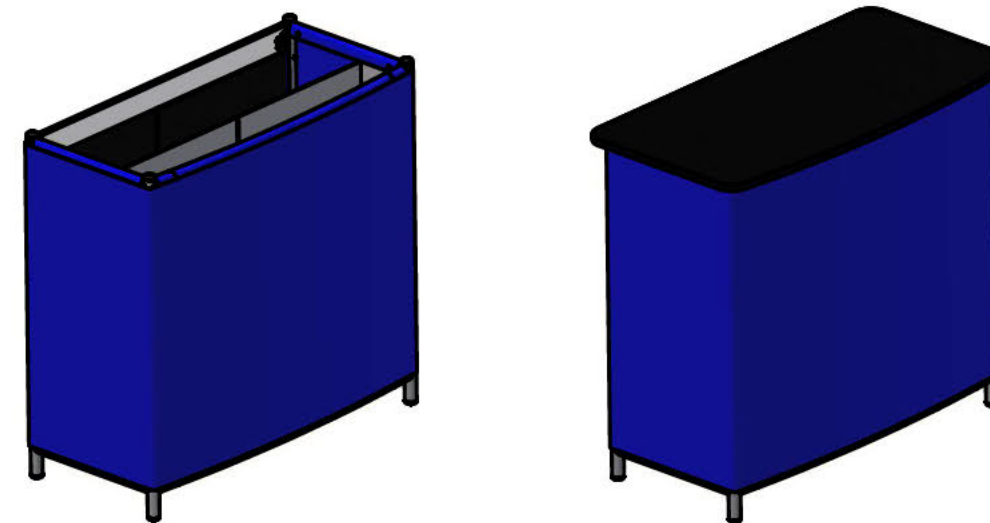


### STEP 4 AND 5

(SHOWN WITH FABRIC GRAPHIC HIDDEN)



### COMPLETED



## ASSEMBLY:

- 1 - ASSEMBLE FRAME
- 2 - ATTACH FABRIC GRAPHIC AROUND FRAME WITH HOLES IN GRAPHIC OVER EXTENDED RIVETS TO SECURE
- 3 - SET IN BOTTOM C7BKLT SHELF/LIGHTS AND CONNECT TRANSFORMER#15859 AND EXTENSION CORD#15867 TO LIGHTS
- 4 - CONNECT 15968 REFLECTOR PAN
- 5 - SET IN C8BKLT MIDDLE SHELF
- 6 - ATTACH DOORS
- 7 - FULLY SEAT COUNTER TOP IN PLACE