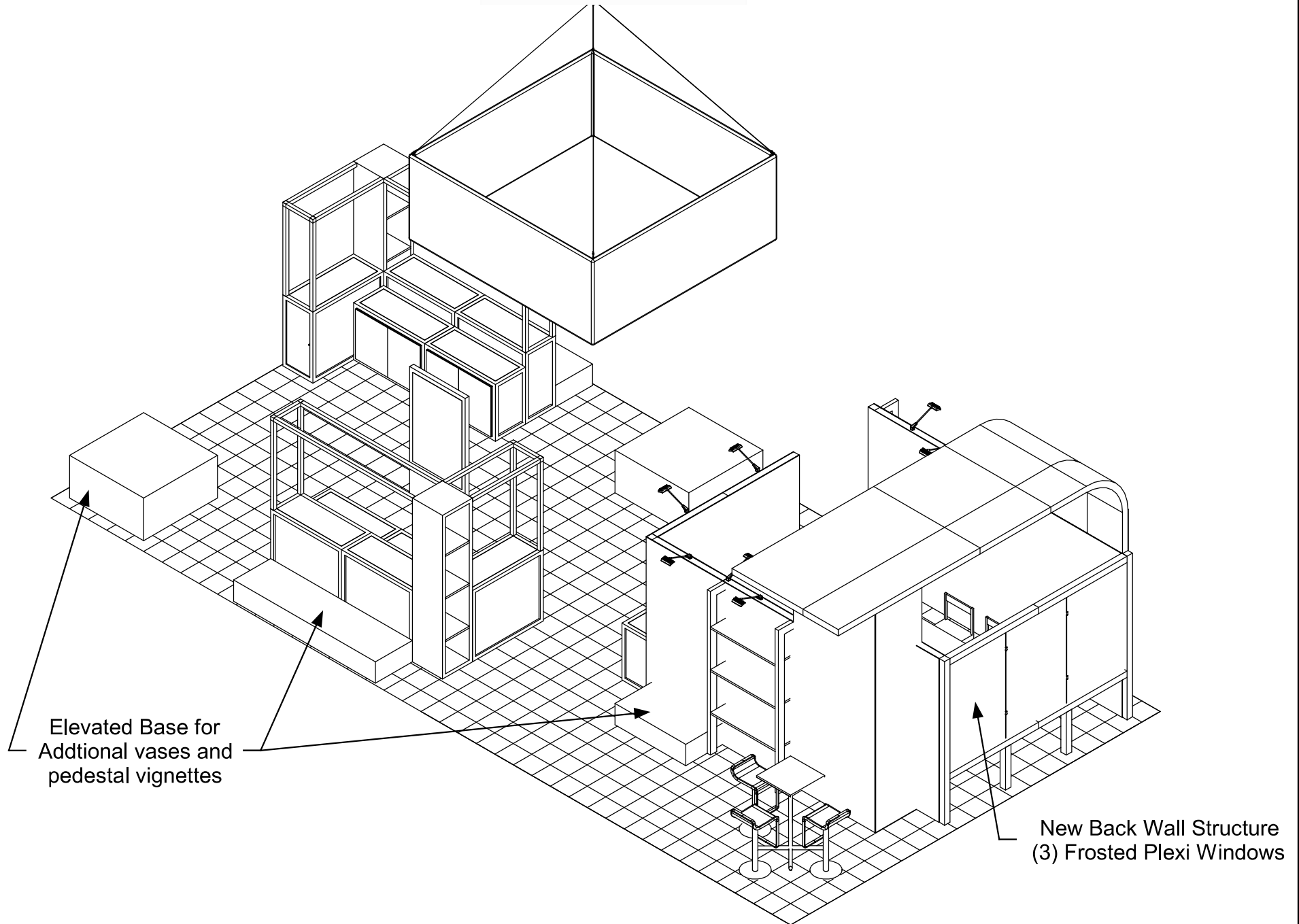


DEALER & CUSTOMER USE ONLY
 Electronic Order Determines Final Production

CUSTOMER SIGNATURE* **DATE**
 *Skyline is not responsible for typos or the quality of the supplied art.

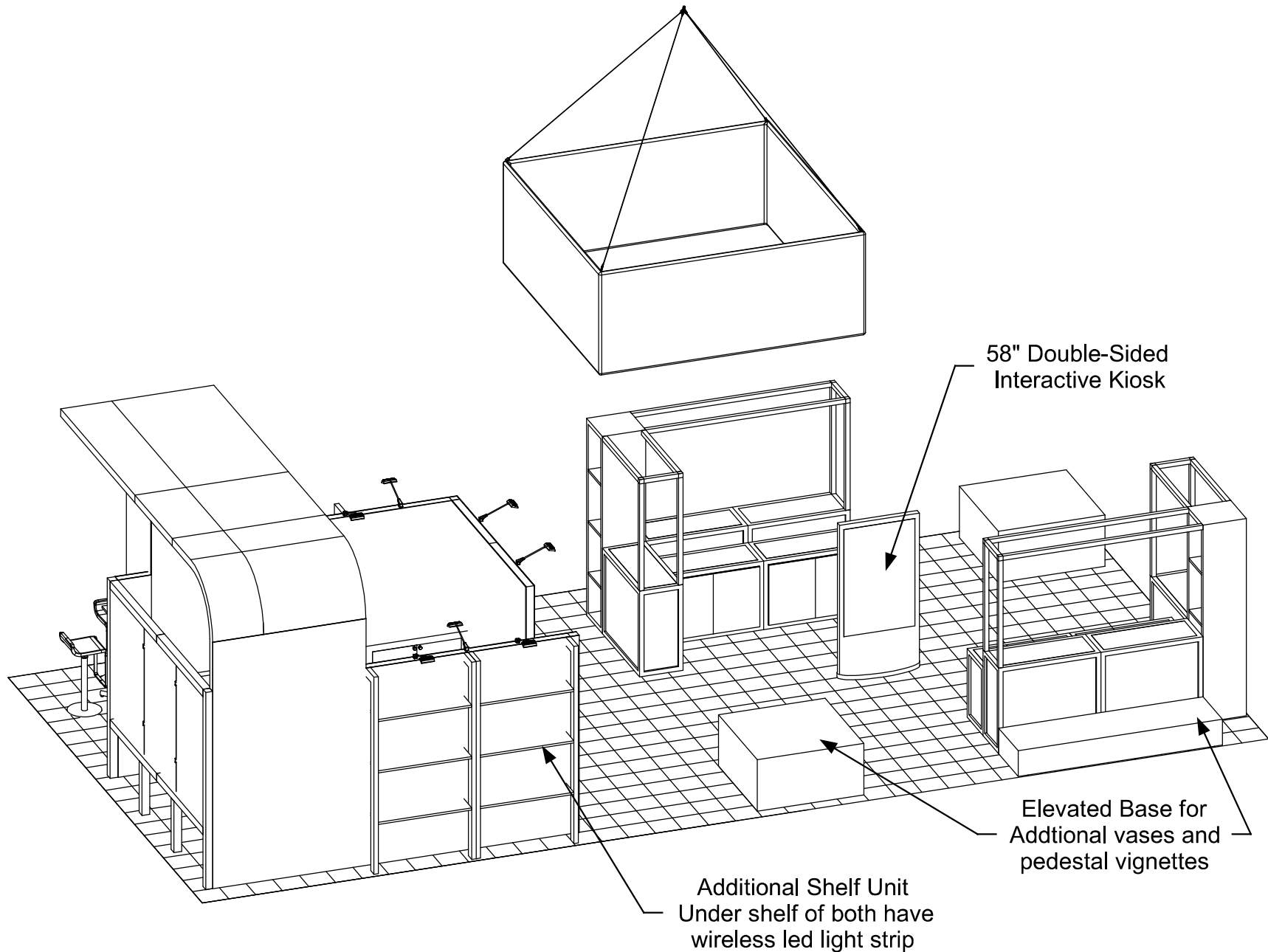
Job Name:	Show Location:	Art #	SSFQ #	Version:	Dealer #	Rep:	Drawn By:
Decowraps	IFPA Anaheim CA - October 19-21	18495	EC50192	D	075	Wendy L.	JL



Elevated Base for
Additional vases and
pedestal vignettes

New Back Wall Structure
(3) Frosted Plexi Windows

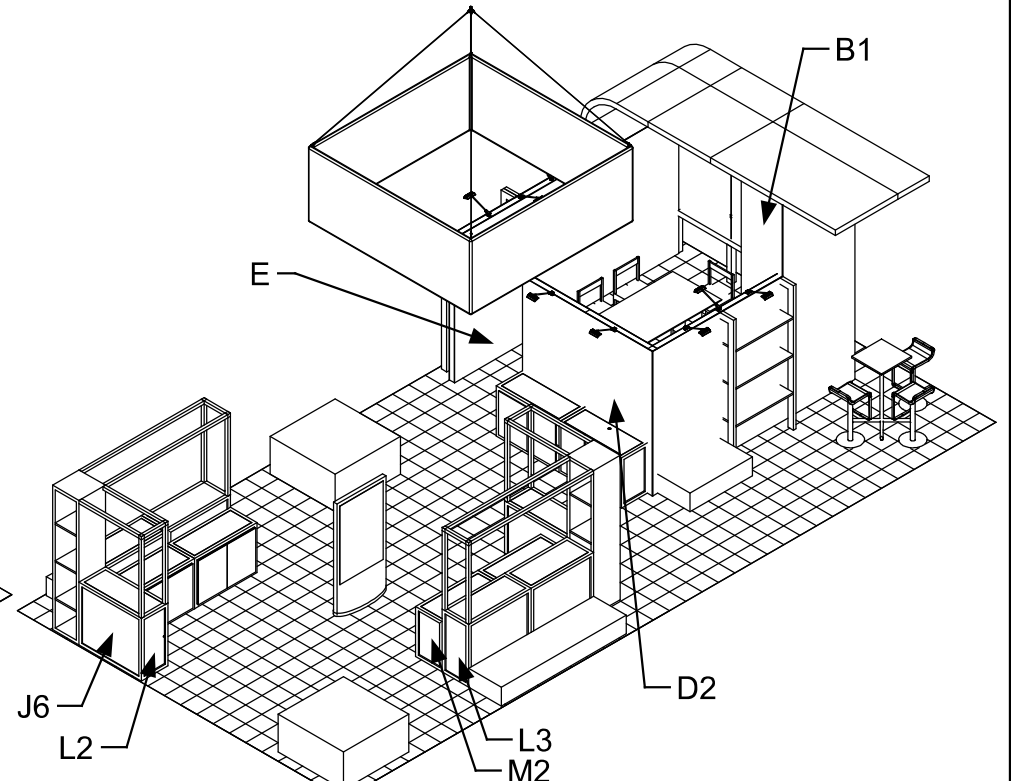
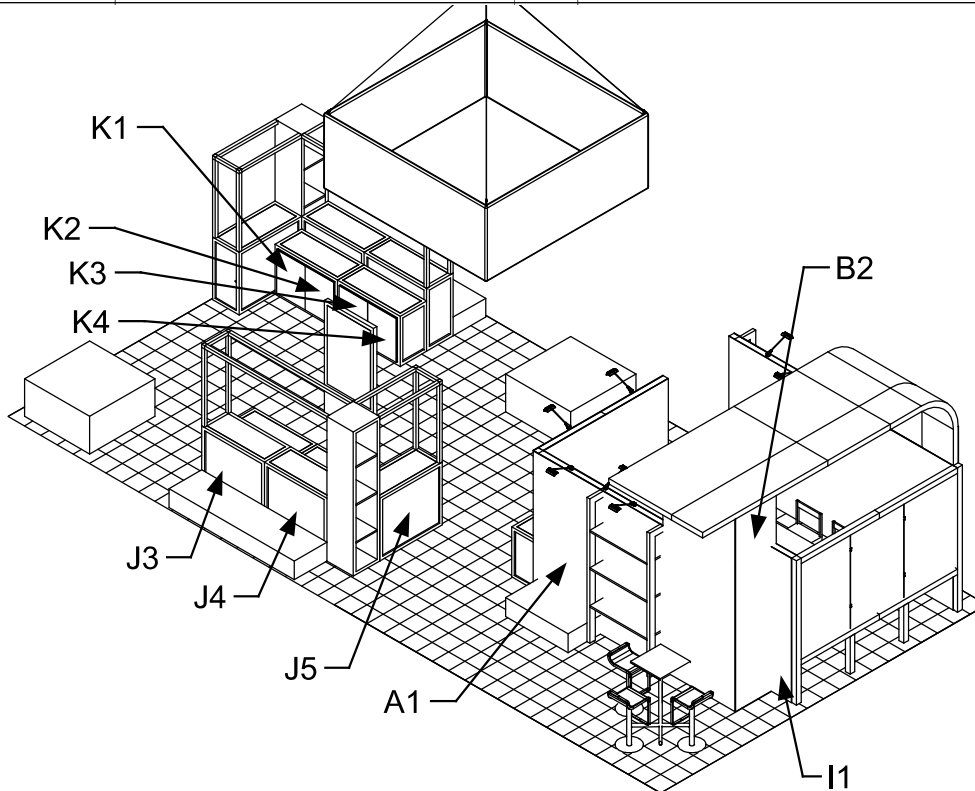
Job Name:	Show Location:	Art #	SSFQ #	Version:	Dealer #	Rep:	Drawn By:
Decowraps	IFPA Anaheim CA - October 19-21	18495	EC50192	D	075	Wendy L.	JL



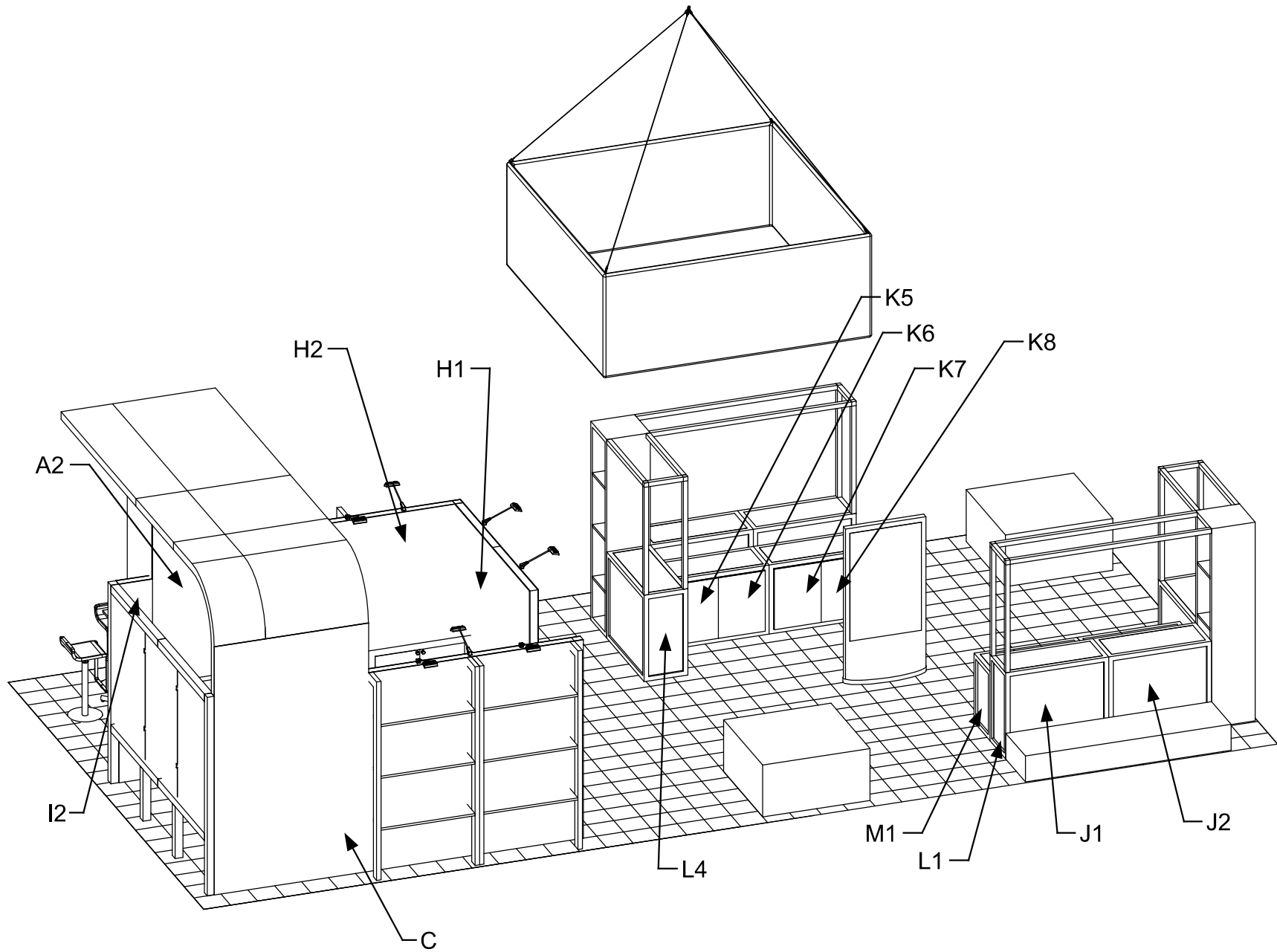
Job Name:	Show Location:	Art #	SSFQ #	Version:	Dealer #	Rep:	Drawn By:
Decowraps	IFPA Anaheim CA - October 19-21	18495	EC50192	D	075	Wendy L.	JL

Item No.	Part Number	Qty	Description
1	(A1) Fabric Graphic 148.625" x 138"	1	(A1) Fabric Graphic 148.625" x 138"
2	(A2) Fabric Graphic 53" x 138"	1	(A2) Fabric Graphic 53" x 138"
3	(B1) Fabric Graphic 30" x 138"	1	(B1) Fabric Graphic 30" x 138"
4	(B2) Fabric Graphic 30" x 138"	1	(B2) Fabric Graphic 30" x 138"
5	(C) Fabric Graphic 165" x 115"	1	(C) Fabric Graphic 165" x 115"
6	(D2) Fabric Graphic 95.5" x 92"	1	(D2) Fabric Graphic 95.5" x 92"
7	(E) Fabric Graphic 165" x 92"	1	(E) Fabric Graphic 165" x 92"
8	(H2) Fabric Graphic 92" x 92"	1	(H2) Fabric Graphic 92" x 92"
9	(H1) Fabric Graphic 92" x 92"	1	(H1) Fabric Graphic 92" x 92"
10	(I1) Fabric Graphic 15" x 92"	1	(I1) Fabric Graphic 15" x 92"
11	(I2) Fabric Graphic 15" x 92"	1	(I2) Fabric Graphic 15" x 92"
12	(J1) Vinyl Graphic 42" x 36"	1	(J1) Vinyl Graphic 42" x 36"
13	(J2) Vinyl Graphic 42" x 36"	1	(J2) Vinyl Graphic 42" x 36"
14	(J3) Vinyl Graphic 42" x 36"	1	(J3) Vinyl Graphic 42" x 36"
15	(J4) Vinyl Graphic 42" x 36"	1	(J4) Vinyl Graphic 42" x 36"
16	(J5) Vinyl Graphic 42" x 36"	1	(J5) Vinyl Graphic 42" x 36"

Item No.	Part Number	Qty	Description
17	(J6) Vinyl Graphic 42" x 36"	1	(J6) Vinyl Graphic 42" x 36"
18	(K1) Vinyl Graphic 21" x 28"	1	(K1) Vinyl Graphic 21" x 28"
19	(K2) Vinyl Graphic 21" x 28"	1	(K2) Vinyl Graphic 21" x 28"
20	(K3) Vinyl Graphic 21" x 28"	1	(K3) Vinyl Graphic 21" x 28"
21	(K4) Vinyl Graphic 21" x 28"	1	(K4) Vinyl Graphic 21" x 28"
22	(K5) Vinyl Graphic 21" x 28"	1	(K5) Vinyl Graphic 21" x 28"
23	(K6) Vinyl Graphic 21" x 28"	1	(K6) Vinyl Graphic 21" x 28"
24	(K7) Vinyl Graphic 21" x 28"	1	(K7) Vinyl Graphic 21" x 28"
25	(K8) Vinyl Graphic 21" x 28"	1	(K8) Vinyl Graphic 21" x 28"
26	(L1) Vinyl Graphic 15.5" x 36"	1	(L1) Vinyl Graphic 15.5" x 36"
27	(L2) Vinyl Graphic 15.5" x 36"	1	(L2) Vinyl Graphic 15.5" x 36"
28	(L3) Vinyl Graphic 15.5" x 36"	1	(L3) Vinyl Graphic 15.5" x 36"
29	(L4) Vinyl Graphic 15.5" x 36"	1	(L4) Vinyl Graphic 15.5" x 36"
30	(M1) Vinyl Graphic 15.5" x 28"	1	(M1) Vinyl Graphic 15.5" x 28"
31	(M2) Vinyl Graphic 15.5" x 28"	1	(M2) Vinyl Graphic 15.5" x 28"



Job Name:	Show Location:	Art #	SSFQ #	Version:	Dealer #	Rep:	Drawn By:
Decowraps	IFPA Anaheim CA - October 19-21	18495	EC50192	D	075	Wendy L.	JL

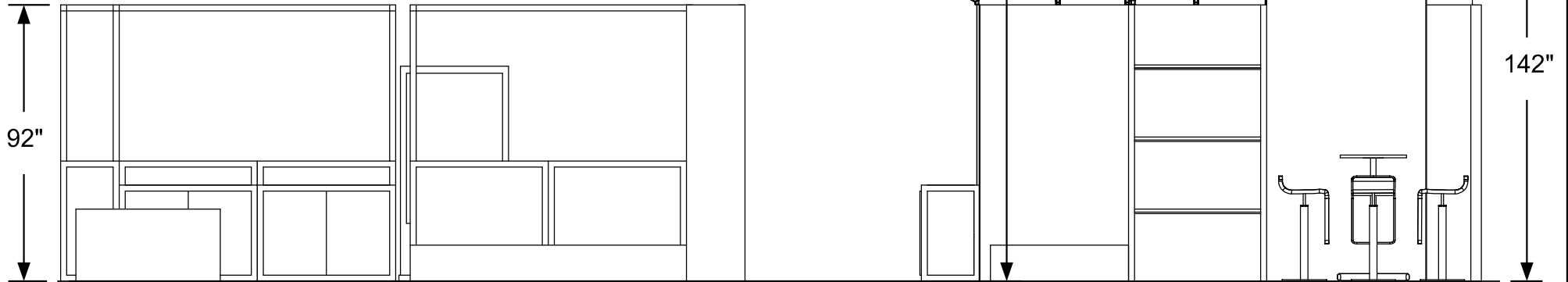
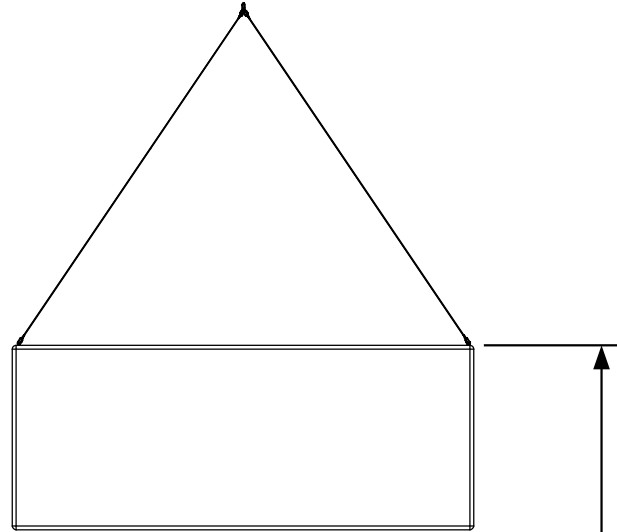


Job Name:	Show Location:	Art #	SSFQ #	Version:	Dealer #	Rep:	Drawn By:
Decowraps	IFPA Anaheim CA - October 19-21	18495	EC50192	D	075	Wendy L.	JL

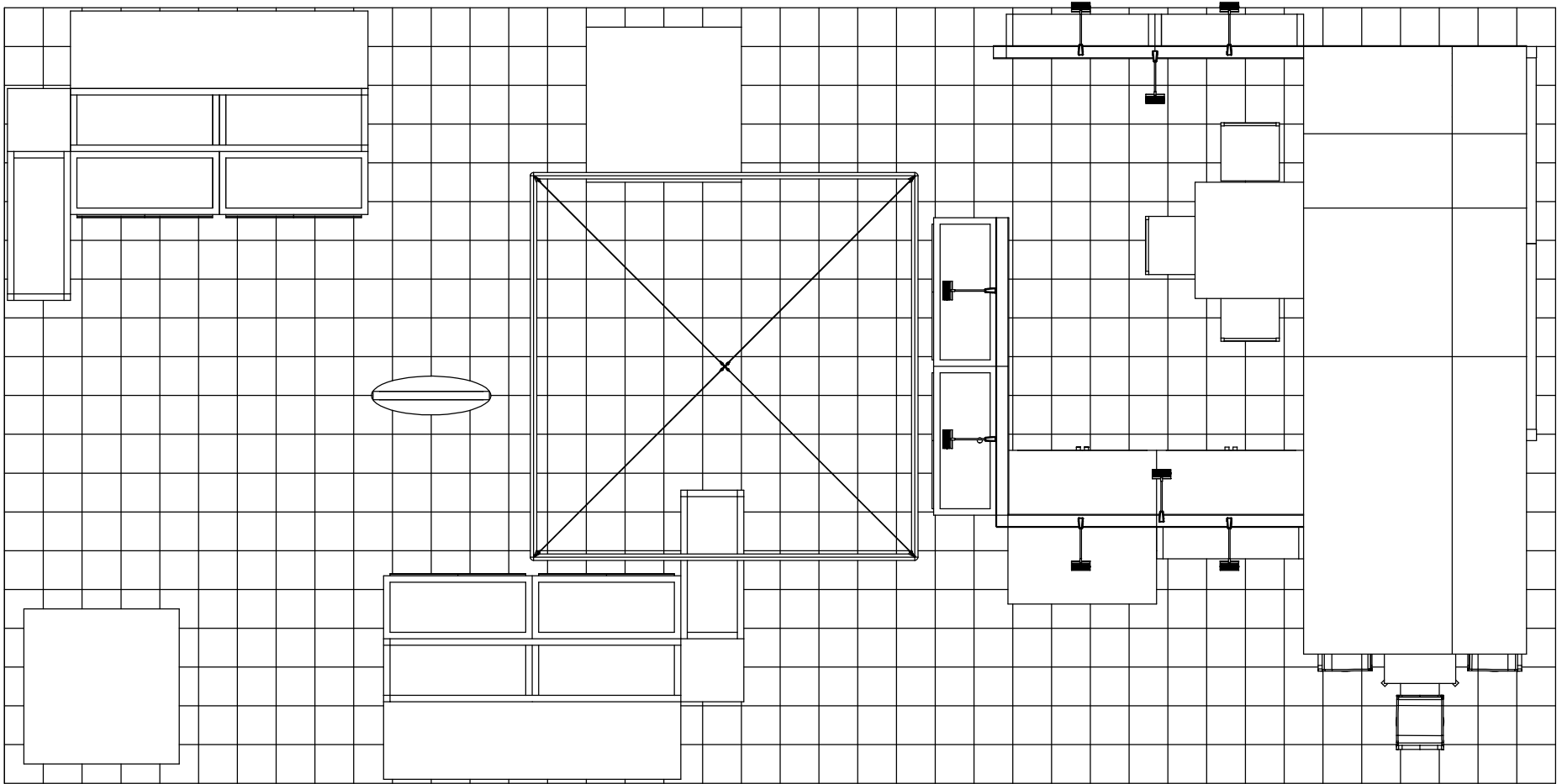
Grid: 20 x 40



8/23/2023
10:44 AM



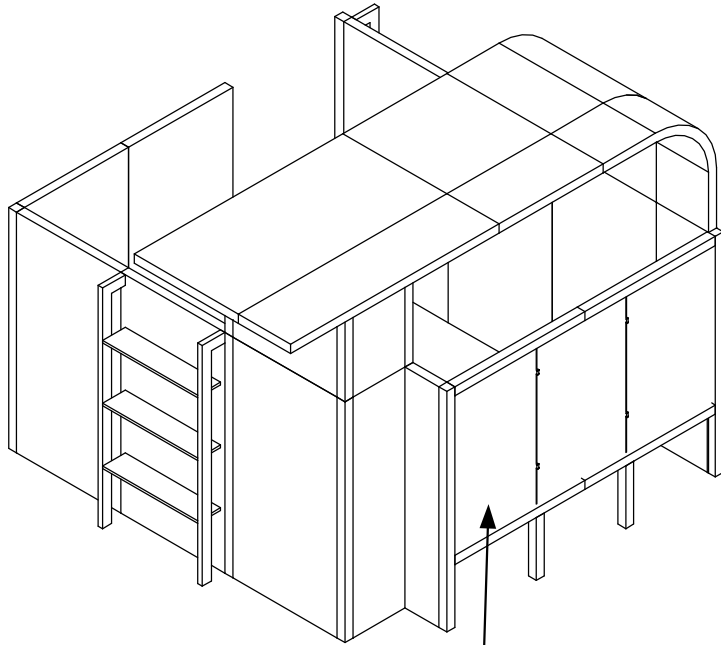
Job Name:	Show Location:	Art #	SSFQ #	Version:	Dealer #	Rep:	Drawn By:
Decowraps	IFPA Anaheim CA - October 19-21	18495	EC50192	D	075	Wendy L.	JL



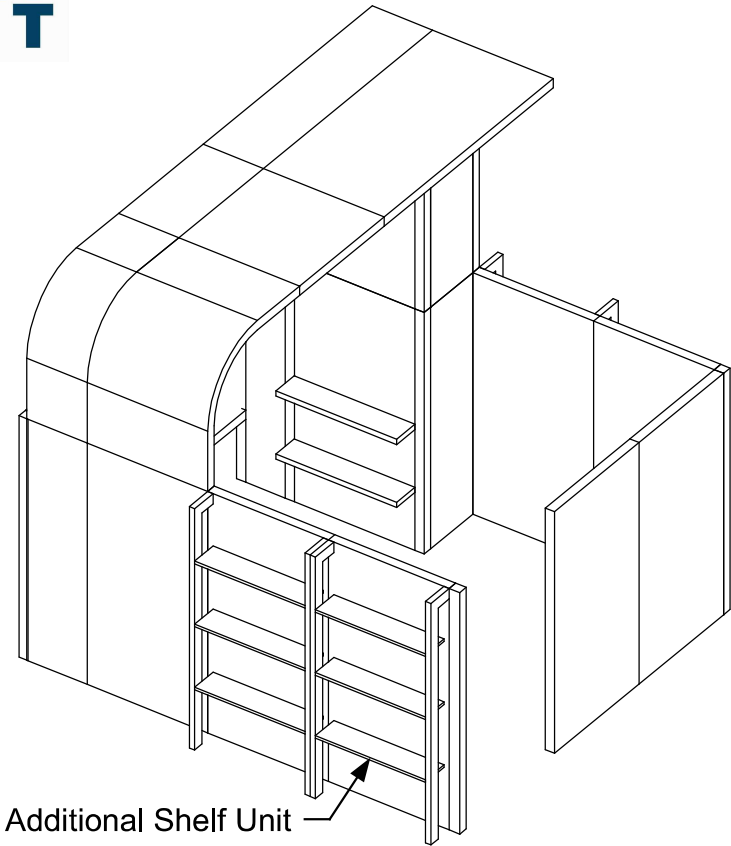
View From Top : 1 Square = 1ft

Job Name:	Show Location:	Art #	SSFQ #	Version:	Dealer #	Rep:	Drawn By:
Decowraps	IFPA Anaheim CA - October 19-21	18495	EC50192	D	075	Wendy L.	JL

Grid: 20 x 40



New Back Wall Structure
(3) Frosted Plexi Windows



Additional Shelf Unit

Item No.	Part Number	Qty	Description
1	White Shelf 42" x 10" x 1"	9	White Shelf 42" x 10" x 1"
2	Wood Lam 92" x 10" Shelf Pole	4	Wood Lam 92" x 10" Shelf Pole
3	EC Panel 46" x 92"	10	EC Panel 46" x 92"
4	EC Panel 46" x 46"	3	EC Panel 46" x 46"
5	EC Panel 23" x 92"	4	EC Panel 23" x 92"
6	EC Panel 23" x 46"	2	EC Panel 23" x 46"
7	EC Panel 23" x 46	1	EC Panel 23" x 46
8	Curved 46" Custom Panel	1	Curved 46" Custom Panel
9	EC Panel 15" x 92"	1	EC Panel 15" x 92"
10	EC Pole 92"	6	EC Pole 92"
11	EC Pole 46"	4	EC Pole 46"
12	POC Lights 4"	6	POC Lights 4"

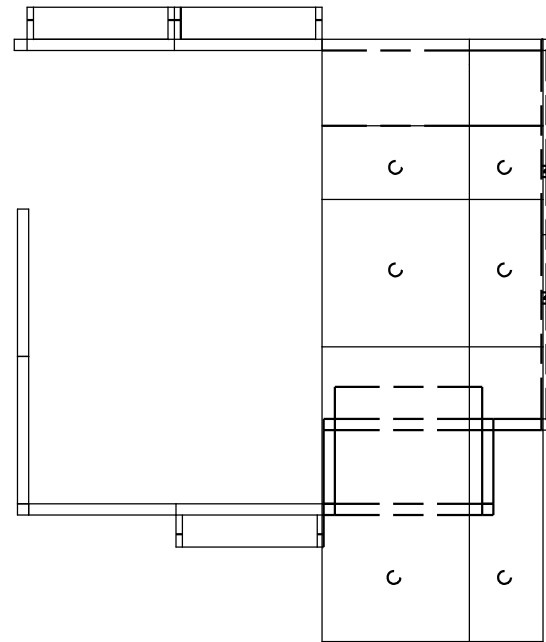
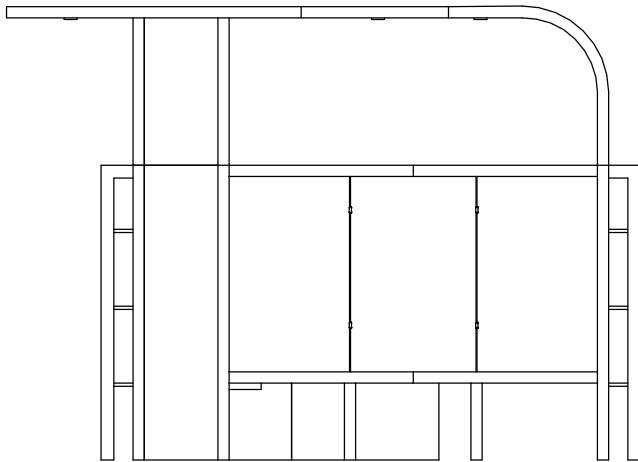
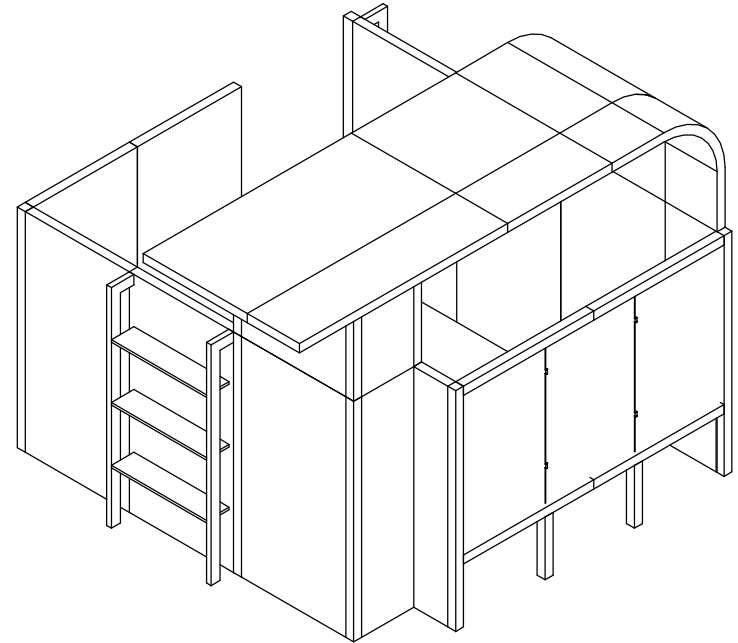
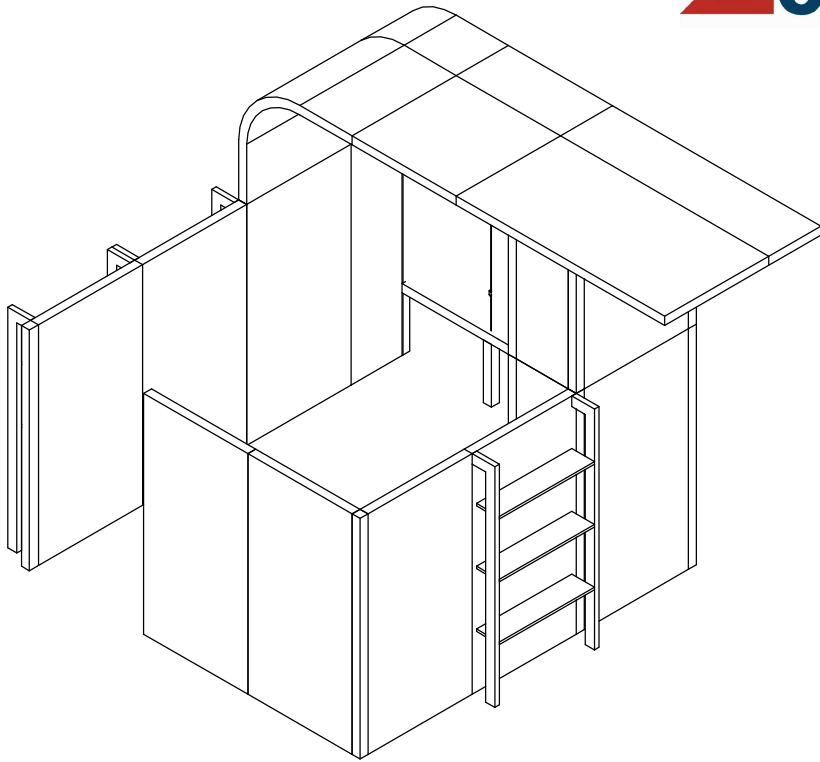
Item No.	Part Number	Qty	Description
13	White Shelf 46" x 10" x 2"	2	White Shelf 46" x 10" x 2"
14	Curved 23" Custom Panel	1	Curved 23" Custom Panel
15	EC Post 92"	1	White Matte Laminate
16	EC Rail 57.5"	4	White Matte Laminate
17	EC Post 24"	2	White Matte Laminate
18	EC Post 92"	1	White Matte Laminate
19	38" x 61.75"	2	Frosted Plexi .25"
20	39.25" x 61.75"	1	Frosted Plexi .25"
21	Gripper	4	Gripper
22	Wood Lam - 92" x 10" Shelf Pole	2	Wood Lam - 92" x 10" Shelf Pole

Job Name:	Show Location:	Art #	SSFQ #	Version:	Dealer #	Rep:	Drawn By:
Decowraps	IFPA Anaheim CA - October 19-21	18495	EC50192	D	075	Wendy L.	JL

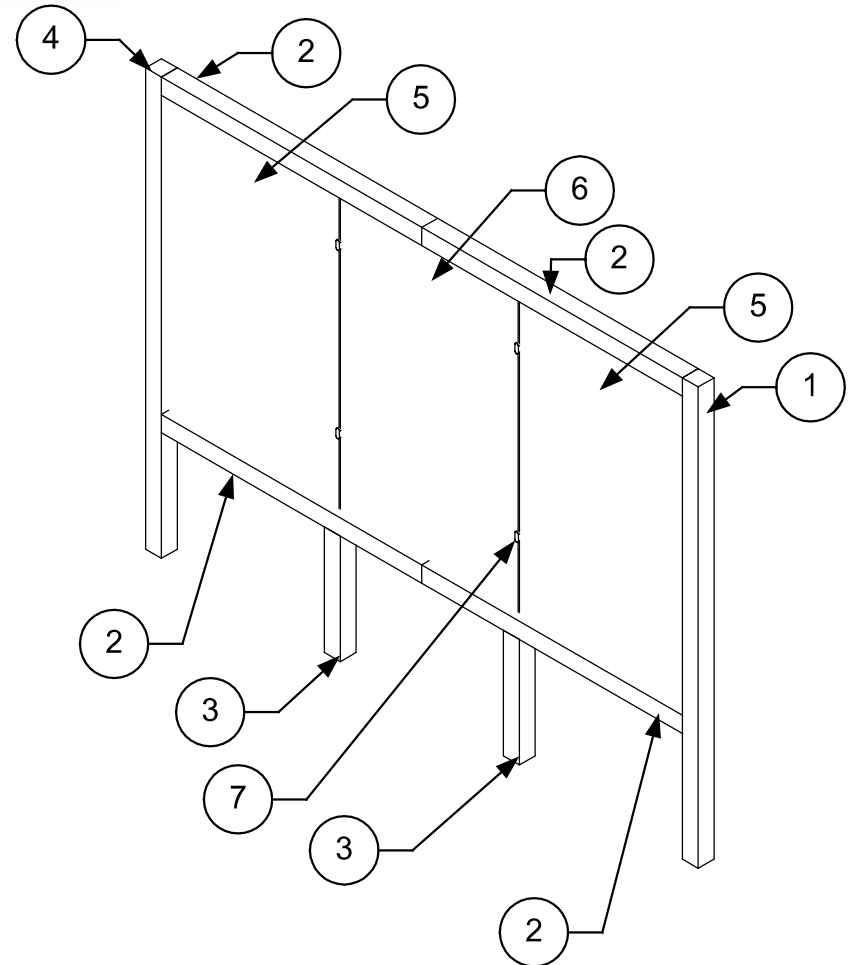
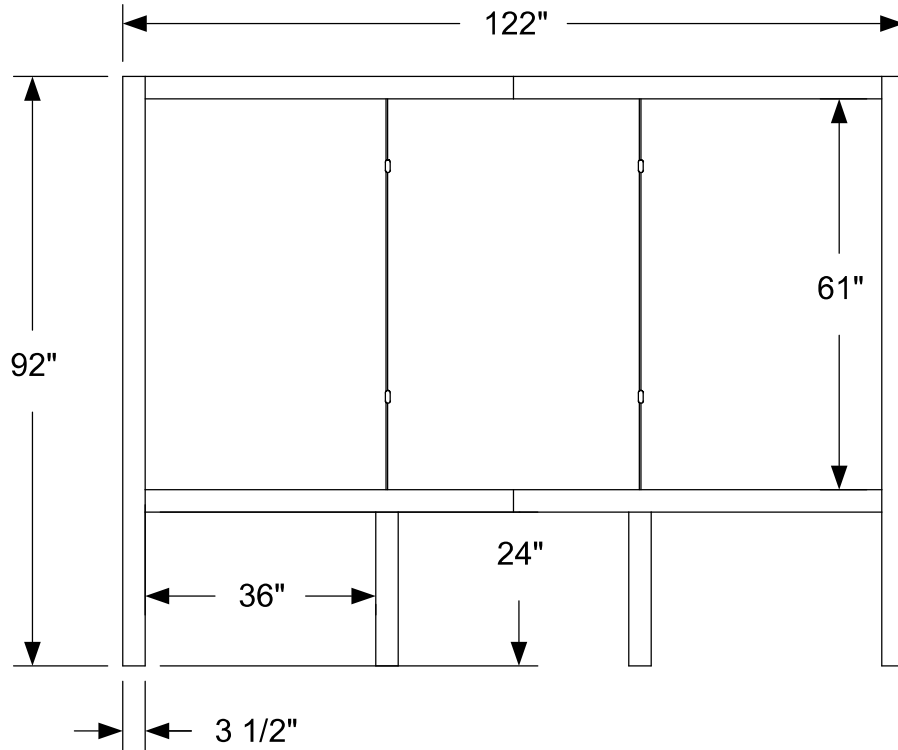
Grid: 20 x 40



8/23/2023
10:44 AM



Job Name:	Show Location:	Art #	SSFQ #	Version:	Dealer #	Rep:	Drawn By:
Decowraps	IFPA Anaheim CA - October 19-21	18495	EC50192	D	075	Wendy L.	JL



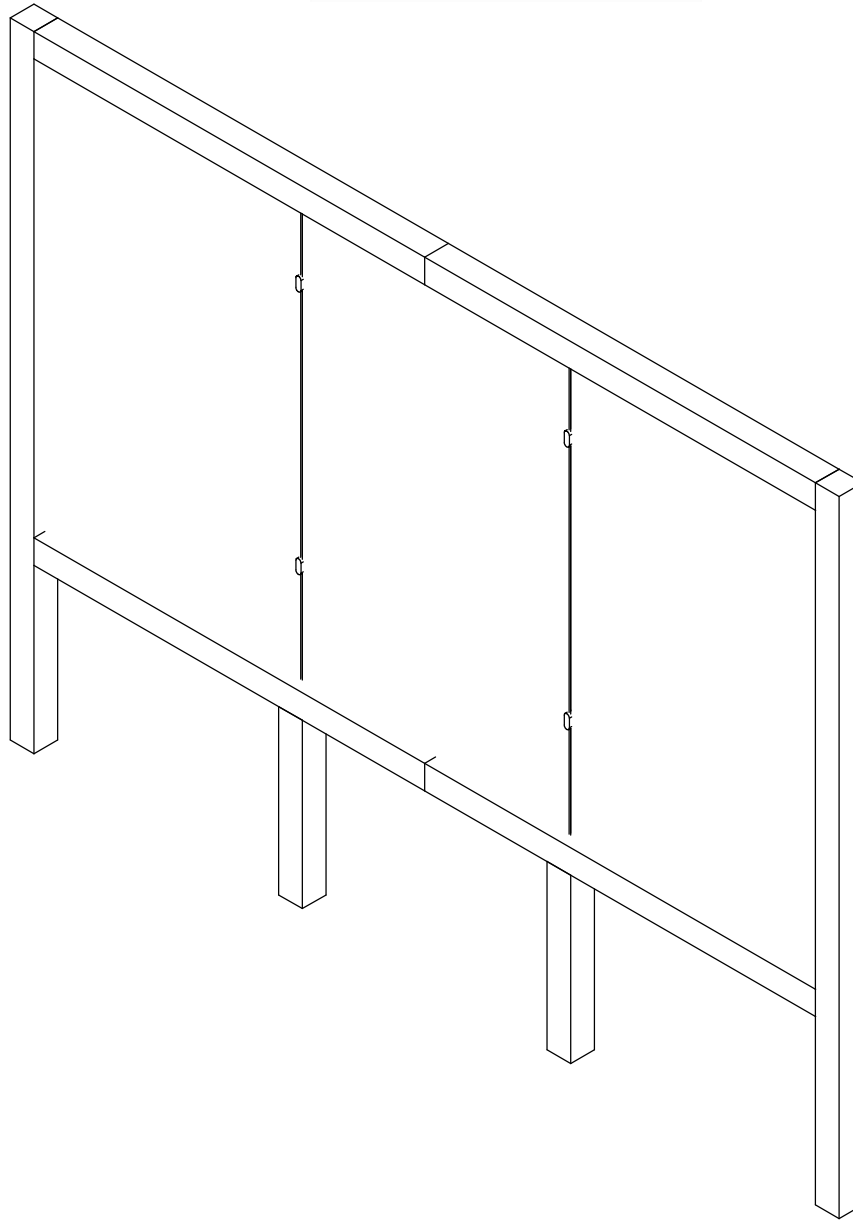
Item No.	Part Number	Qty	Description
1	EC Post 92"	1	White Matte Laminate
2	EC Rail 57.5"	4	White Matte Laminate
3	EC Post 24"	2	White Matte Laminate
4	EC Post 92"	1	White Matte Laminate
5	38" x 61.75"	2	Frosted Plexi .25"
6	39.25" x 61.75"	1	Frosted Plexi .25"
7	Gripper	4	Gripper

Job Name:	Show Location:	Art #	SSFQ #	Version:	Dealer #	Rep:	Drawn By:
Decowraps	IFPA Anaheim CA - October 19-21	18495	EC50192	D	075	Wendy L.	JL

Grid: 20 x 40

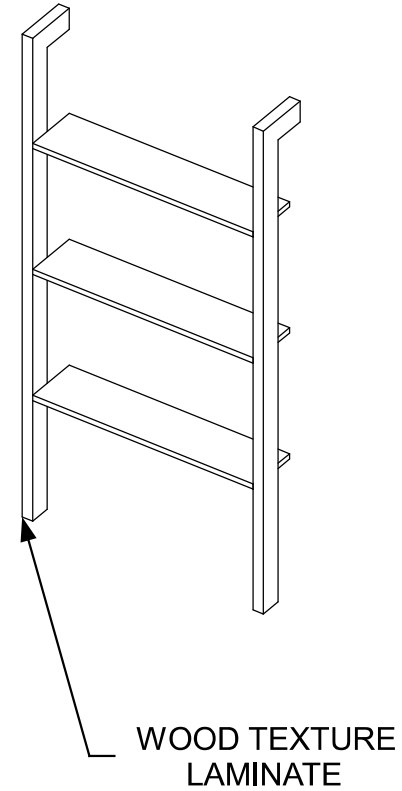
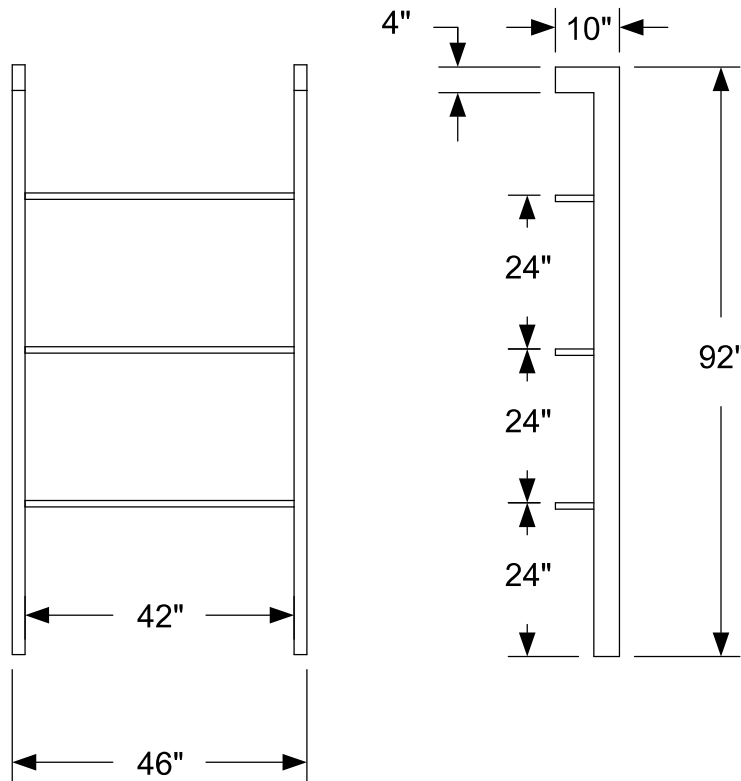


8/23/2023
10:44 AM



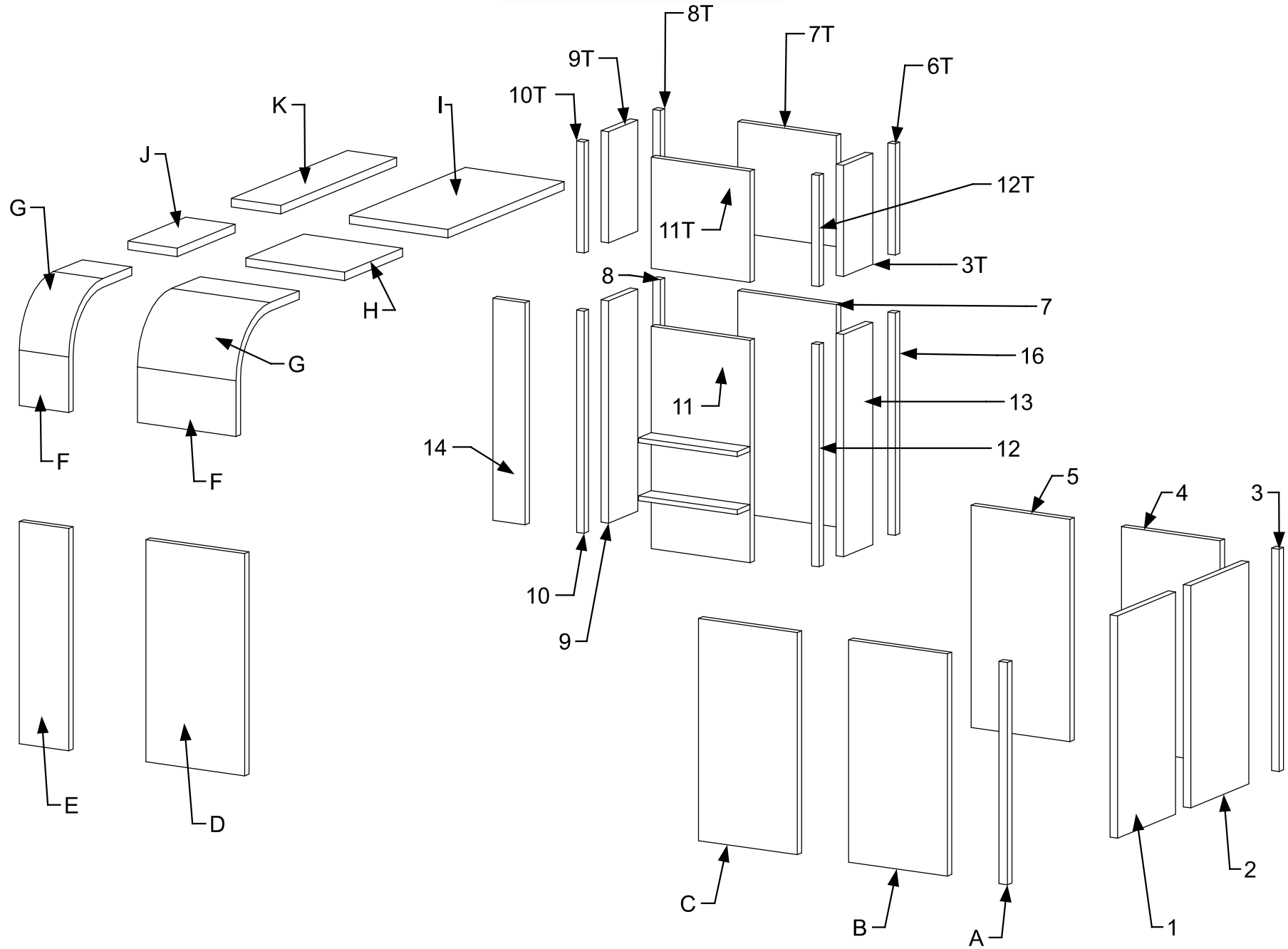
Job Name:	Show Location:	Art #	SSFQ #	Version:	Dealer #	Rep:	Drawn By:
Decowraps	IFPA Anaheim CA - October 19-21	18495	EC50192	D	075	Wendy L.	JL

Shelf Unit for Main Structure Qty. 1



Item No.	Part Number	Qty	Description
1	White Shelf 42" x 10" x 1"	3	White Shelf 42" x 10" x 1"
2	Wood Lam 92" x 10" Shelf Pole	2	Wood Lam 92" x 10" Shelf Pole

Job Name:	Show Location:	Art #	SSFQ #	Version:	Dealer #	Rep:	Drawn By:
Decowraps	IFPA Anaheim CA - October 19-21	18495	EC50192	D	075	Wendy L.	JL



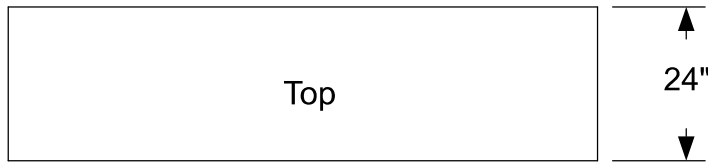
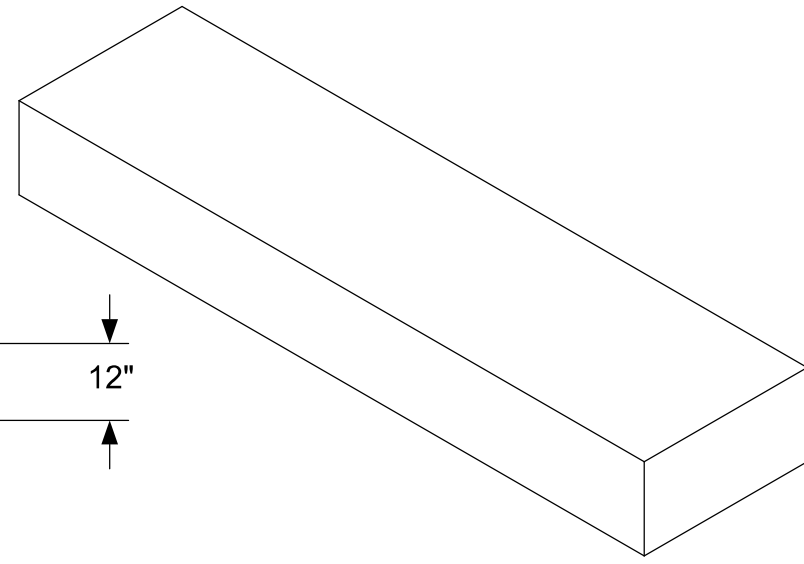
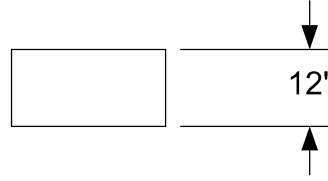
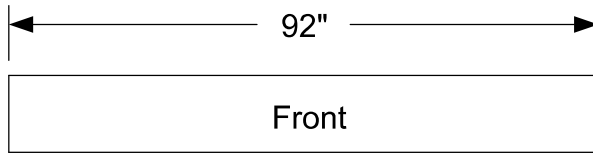
Job Name:	Show Location:	Art #	SSFQ #	Version:	Dealer #	Rep:	Drawn By:
Decowraps	IFPA Anaheim CA - October 19-21	18495	EC50192	D	075	Wendy L.	JL

Grid: 20 x 40



8/23/2023
10:44 AM

QTY : 2



Item No.	Part Number	Qty	Description
1	Base 92"L x 24"D x 12"H	1	Formica Natural Maple Lam

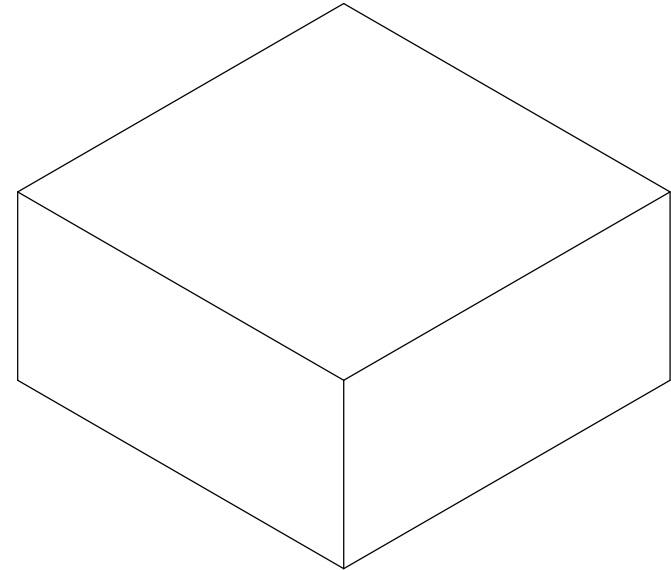
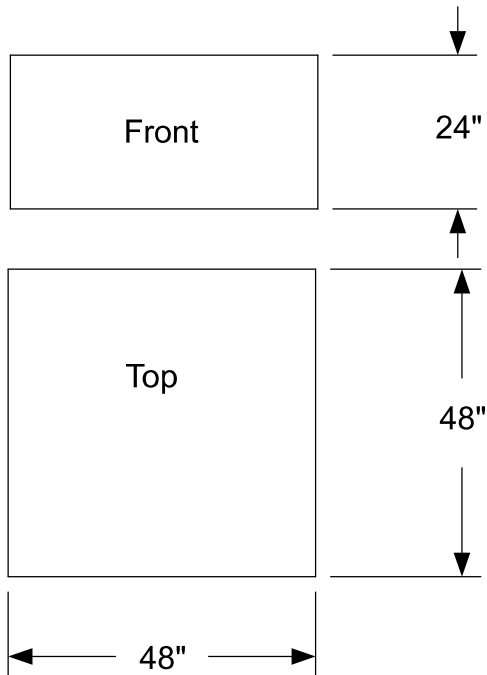
Job Name:	Show Location:	Art #	SSFQ #	Version:	Dealer #	Rep:	Drawn By:
Decowraps	IFPA Anaheim CA - October 19-21	18495	EC50192	D	075	Wendy L.	JL

Grid: 20 x 40



8/23/2023
10:44 AM

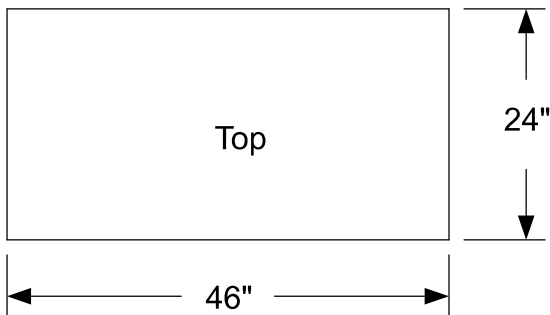
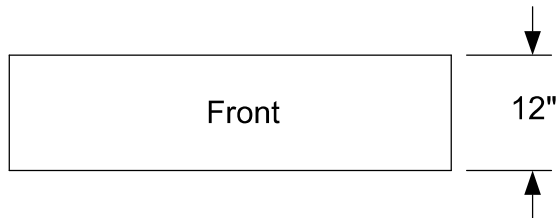
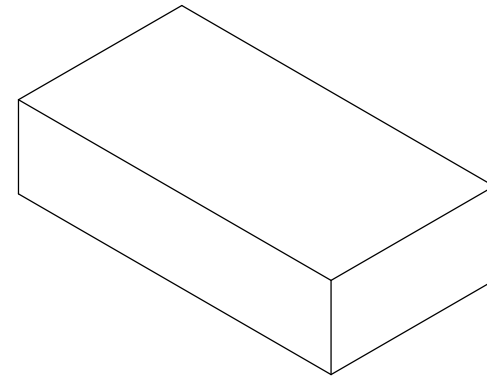
QTY : 2



Item No.	Part Number	Qty	Description
1	Pedestal 48" x 48" x 24"	1	Formica Natural Maple Lam

Job Name:	Show Location:	Art #	SSFQ #	Version:	Dealer #	Rep:	Drawn By:
Decowraps	IFPA Anaheim CA - October 19-21	18495	EC50192	D	075	Wendy L.	JL

QTY : 1



Item No.	Part Number	Qty	Description
1	Base 46"L x 24"D x 12"H	1	Formica Natural Maple Lam

Job Name:	Show Location:	Art #	SSFQ #	Version:	Dealer #	Rep:	Drawn By:
Decowraps	IFPA Anaheim CA - October 19-21	18495	EC50192	D	075	Wendy L.	JL

Item No.	Part Number	Qty	Description
1	(A1) Fabric Graphic 148.625" x 138"	1	(A1) Fabric Graphic 148.625" x 138"
2	(A2) Fabric Graphic 53" x 138"	1	(A2) Fabric Graphic 53" x 138"
3	(B1) Fabric Graphic 30" x 138"	1	(B1) Fabric Graphic 30" x 138"
4	(B2) Fabric Graphic 30" x 138"	1	(B2) Fabric Graphic 30" x 138"
5	(C) Fabric Graphic 165" x 115"	1	(C) Fabric Graphic 165" x 115"
6	(D2) Fabric Graphic 95.5" x 92"	1	(D2) Fabric Graphic 95.5" x 92"
7	(E) Fabric Graphic 165" x 92"	1	(E) Fabric Graphic 165" x 92"
8	(H2) Fabric Graphic 92" x 92"	1	(H2) Fabric Graphic 92" x 92"
9	(H1) Fabric Graphic 92" x 92"	1	(H1) Fabric Graphic 92" x 92"
10	(I1) Fabric Graphic 15" x 92"	1	(I1) Fabric Graphic 15" x 92"
11	(I2) Fabric Graphic 15" x 92"	1	(I2) Fabric Graphic 15" x 92"
12	(J1) Vinyl Graphic 42" x 36"	1	(J1) Vinyl Graphic 42" x 36"
13	(J2) Vinyl Graphic 42" x 36"	1	(J2) Vinyl Graphic 42" x 36"
14	(J3) Vinyl Graphic 42" x 36"	1	(J3) Vinyl Graphic 42" x 36"
15	(J4) Vinyl Graphic 42" x 36"	1	(J4) Vinyl Graphic 42" x 36"
16	(J5) Vinyl Graphic 42" x 36"	1	(J5) Vinyl Graphic 42" x 36"
17	(J6) Vinyl Graphic 42" x 36"	1	(J6) Vinyl Graphic 42" x 36"
18	(K1) Vinyl Graphic 21" x 28"	1	(K1) Vinyl Graphic 21" x 28"
19	(K2) Vinyl Graphic 21" x 28"	1	(K2) Vinyl Graphic 21" x 28"
20	(K3) Vinyl Graphic 21" x 28"	1	(K3) Vinyl Graphic 21" x 28"
21	(K4) Vinyl Graphic 21" x 28"	1	(K4) Vinyl Graphic 21" x 28"
22	(K5) Vinyl Graphic 21" x 28"	1	(K5) Vinyl Graphic 21" x 28"
23	(K6) Vinyl Graphic 21" x 28"	1	(K6) Vinyl Graphic 21" x 28"
24	(K7) Vinyl Graphic 21" x 28"	1	(K7) Vinyl Graphic 21" x 28"
25	(K8) Vinyl Graphic 21" x 28"	1	(K8) Vinyl Graphic 21" x 28"
26	(L1) Vinyl Graphic 15.5" x 36"	1	(L1) Vinyl Graphic 15.5" x 36"
27	(L2) Vinyl Graphic 15.5" x 36"	1	(L2) Vinyl Graphic 15.5" x 36"
28	(L3) Vinyl Graphic 15.5" x 36"	1	(L3) Vinyl Graphic 15.5" x 36"
29	(L4) Vinyl Graphic 15.5" x 36"	1	(L4) Vinyl Graphic 15.5" x 36"
30	(M1) Vinyl Graphic 15.5" x 28"	1	(M1) Vinyl Graphic 15.5" x 28"
31	(M2) Vinyl Graphic 15.5" x 28"	1	(M2) Vinyl Graphic 15.5" x 28"
32	36821	1	SkyFlyer 10' Sq
33	36899	1	SkyFlyer 10' Sq Hng Pkg
34	White Shelf 42" x 10" x 1"	9	White Shelf 42" x 10" x 1"
35	Wood Lam 92" x 10" Shelf Pole	4	Wood Lam 92" x 10" Shelf Pole

Cad Bill of Materials includes only the major components in this display. This list does not include parts such as connectors, brackets and other misc. items including custom parts. Please only use this list as a guide to estimating your display.

Job Name:	Show Location:	Art #	SSFQ #	Version:	Dealer #	Rep:	Drawn By:
Decowraps	IFPA Anaheim CA - October 19-21	18495	EC50192	D	075	Wendy L.	JL

Item No.	Part Number	Qty	Description
71	Wood Lam Display 46" x 32" x 19.5"	2	Wood Lam Display 46" x 32" x 19.5"
72	Panel 15.5" x 28"	4	Panel 15.5" x 28"
73	White Panel 42" x 36"	1	White Panel 42" x 36" w Wire Mangement
74	Cabinet 46"x 40"x20"	2	Cabinet 46"x 40"x20"
75	Door 20" x 34"	4	Door 20" x 34"
76	Knob	4	Knob
77	Wood Lam - 92" x 10" Shelf Pole	2	Wood Lam - 92" x 10" Shelf Pole
78	58" Double-Sided Kiosk SM	1	58" Double-Sided Kiosk SM
79	Base 92"L x 24"D x 12"H	2	Formica Natural Maple Lam
80	40" LED Strip Light wireless	9	40" LED Strip Light wireless
81	3.5" Wireless LED Puck Light	8	3.5" Wireless LED Puck Light
82	Base 46"L x 24"D x 12"H	1	Formica Natural Maple Lam
83	Pedestal 48" x 48" x 24"	2	Formica Natural Maple Lam

Cad Bill of Materials includes only the major components in this display. This list does not include parts such as connectors, brackets and other misc. items including custom parts. Please only use this list as a guide to estimating your display.

Job Name:	Show Location:	Art #	SSFQ #	Version:	Dealer #	Rep:	Drawn By:
Decowraps	IFPA Anaheim CA - October 19-21	18495	EC50192	D	075	Wendy L.	JL

Item No.	Part Number	Qty	Description
36	34964	8	LED Arm Light
37	EC Panel 46" x 92"	10	EC Panel 46" x 92"
38	EC Panel 46" x 46"	3	EC Panel 46" x 46"
39	EC Panel 23" x 92"	4	EC Panel 23" x 92"
40	EC Panel 23" x 46"	2	EC Panel 23" x 46"
41	EC Panel 23" x 46	1	EC Panel 23" x 46
42	Curved 46" Custom Panel	1	Curved 46" Custom Panel
43	EC Panel 15" x 92"	1	EC Panel 15" x 92"
44	EC Pole 92"	6	EC Pole 92"
45	EC Pole 46"	4	EC Pole 46"
46	POC Lights 4"	6	POC Lights 4"
47	White Shelf 46" x 10" x 2"	2	White Shelf 46" x 10" x 2"
48	Curved 23" Custom Panel	1	Curved 23" Custom Panel
49	EC Post 92"	1	White Matte Laminate
50	EC Rail 57.5"	4	White Matte Laminate
51	EC Post 24"	2	White Matte Laminate
52	EC Post 92"	1	White Matte Laminate
53	38" x 61.75"	2	Frosted Plexi .25"
54	39.25" x 61.75"	1	Frosted Plexi .25"
55	Gripper	4	Gripper
56	Wood Lam Shelf 15.5" x 19.5" x 1"	6	Wood Lam Shelf 15.5" x 19.5" x 1"
57	Wood Lam Shelf Column 19.5" x 19.5" x...	2	Wood Lam Shelf Column 19.5" x 19.5" x...
58	Wood Lam - 52" x 2" x 2" Pole	8	Wood Lam - 52" x 2" x 2" Pole
59	Wood Lam - 19.5" x 2" x 2" Pole	4	Wood Lam - 19.5" x 2" x 2" Pole
60	Wood Lam - 90" x 2" x 2" Pole	4	Wood Lam - 90" x 2" x 2" Pole
61	Door 21" x 28"	12	Door 21" x 28"
62	Wood Lam - Display 46" x 19.5" x 40"	6	Wood Lam - Display 46" x 19.5" x 40"
63	Wood Lam - Display 46" x 19.5" x 32"	4	Wood Lam - Display 46" x 19.5" x 32"
64	White Panel 42" x 36"	17	White Panel 42" x 36"
65	White Panel 15.5" x 36"	10	White Panel 15.5" x 36"
66	White Panel 42" x 15.5"	10	White Panel 42" x 15.5"
67	Shelf 42" x 15.5"	6	Shelf 42" x 15.5"
68	White Panel 15.5" x 28"	8	White Panel 15.5" x 28"
69	Wood Lam - 44" x 2" x 2" Pole	4	Wood Lam - 44" x 2" x 2" Pole
70	Door Panel 15.5" x 36"	2	Door Panel 15.5" x 36"

Cad Bill of Materials includes only the major components in this display. This list does not include parts such as connectors, brackets and other misc. items including custom parts. Please only use this list as a guide to estimating your display.

Job Name:	Show Location:	Art #	SSFQ #	Version:	Dealer #	Rep:	Drawn By:
Decowraps	IFPA Anaheim CA - October 19-21	18495	EC50192	D	075	Wendy L.	JL