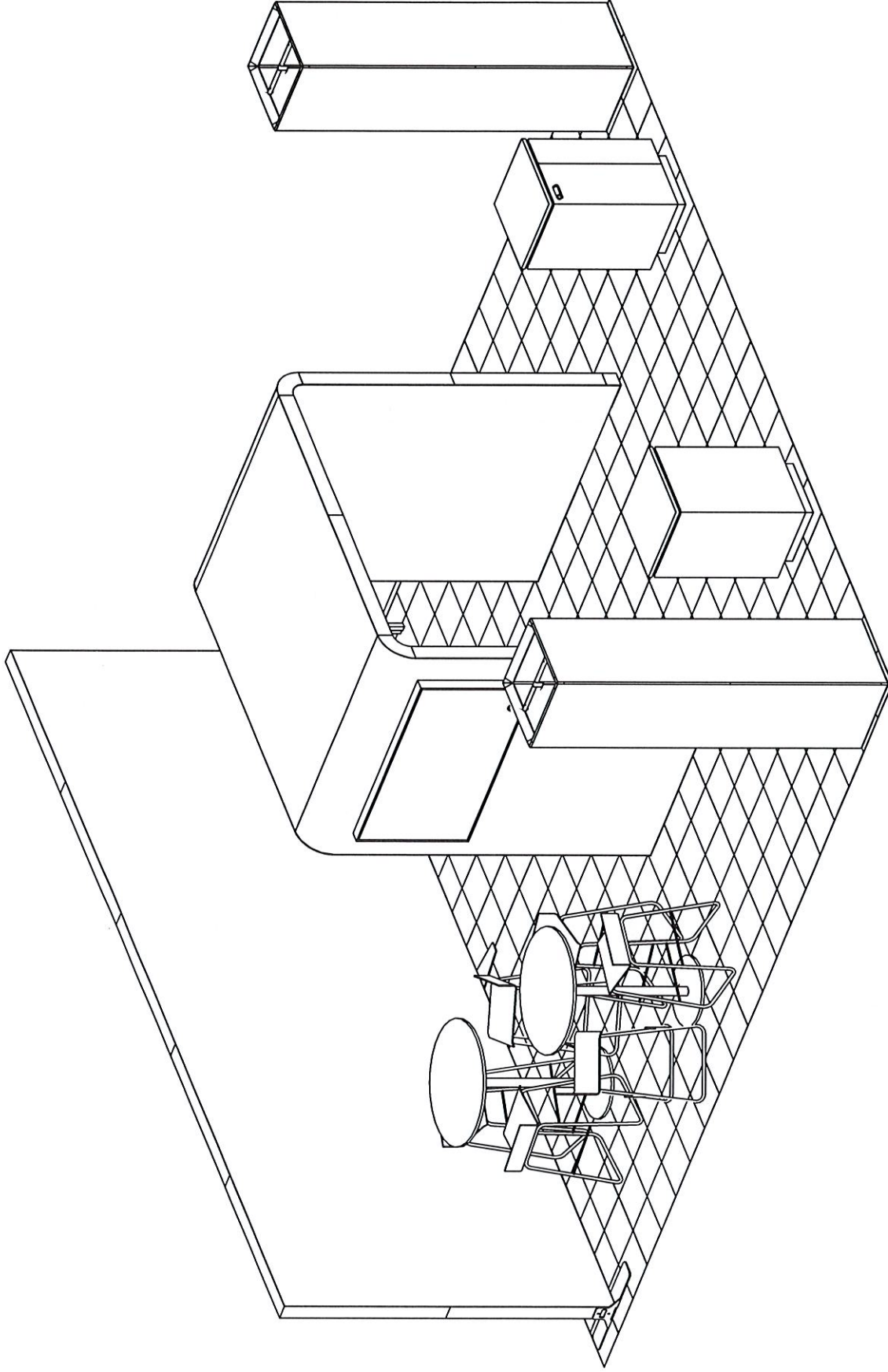
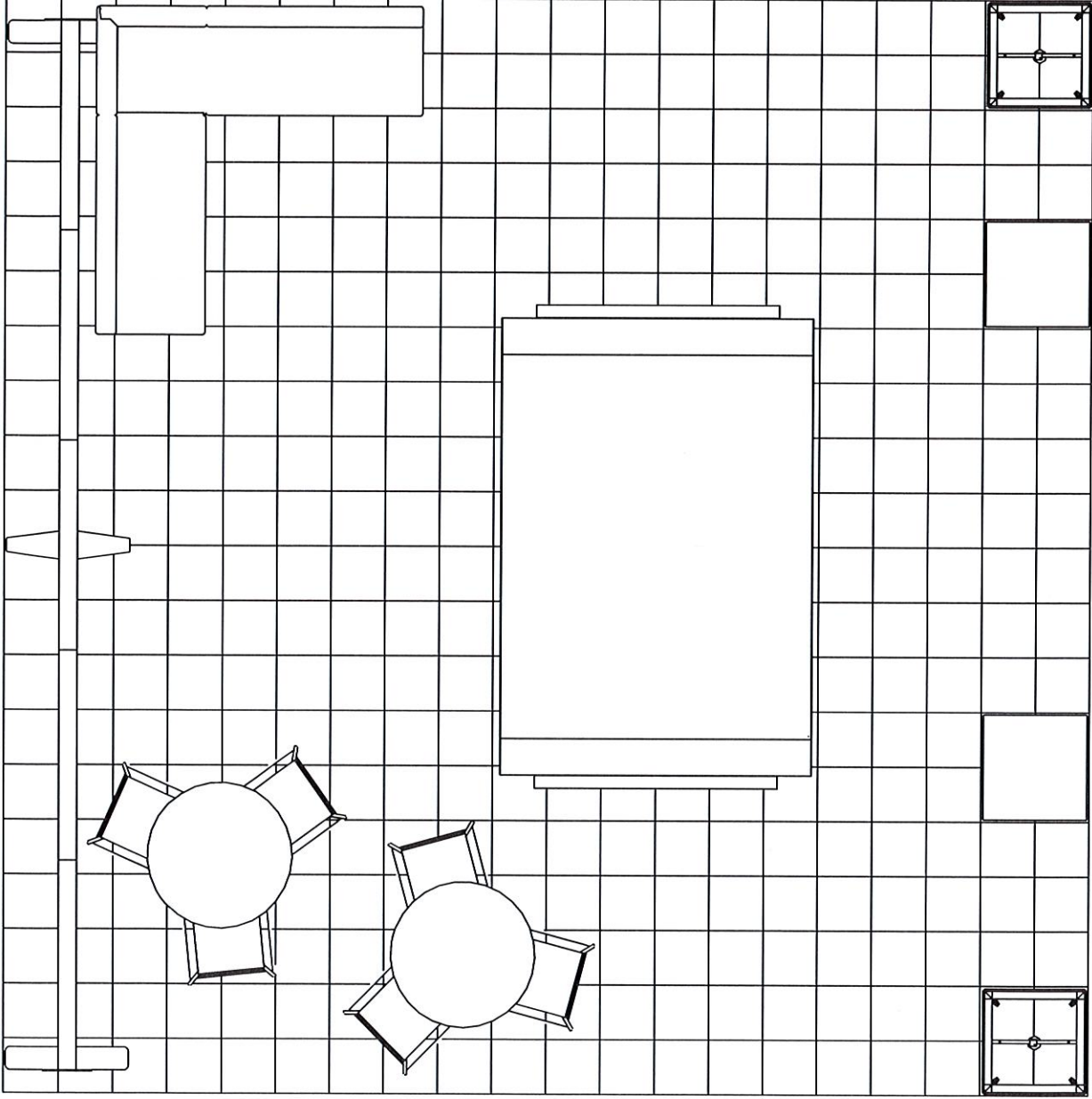


Bar Tables, Bar Stools and 2x2 locking counters are not owned.



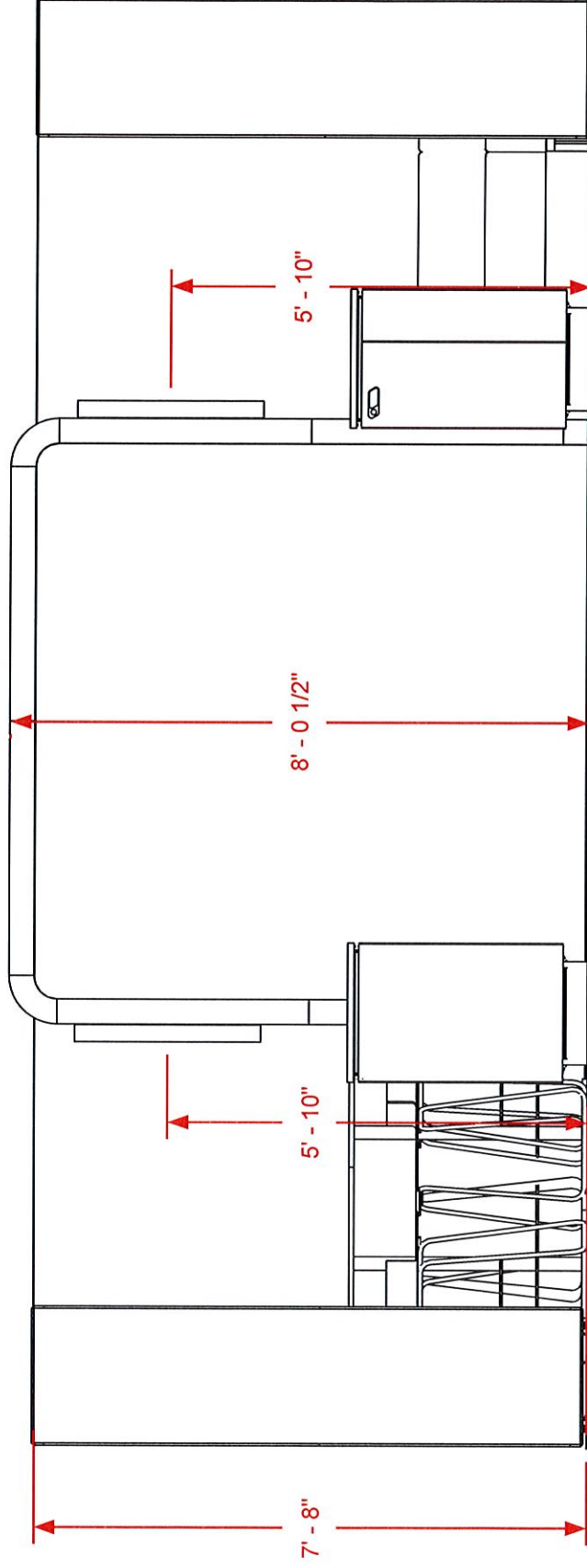
Dist. # <b>1099</b>	Proj: <b>D-0035434600</b>	Rev. <b>B</b>	Mgr: <b>SS</b>	Cad: <b>SLJ</b>	Proj: <b>DIY</b>
Rep:			Est: <b>SS</b>	Date: 3/24/2022 3:42 PM	



TOP  
1 square = 1'-0"

# Bigger Orbit

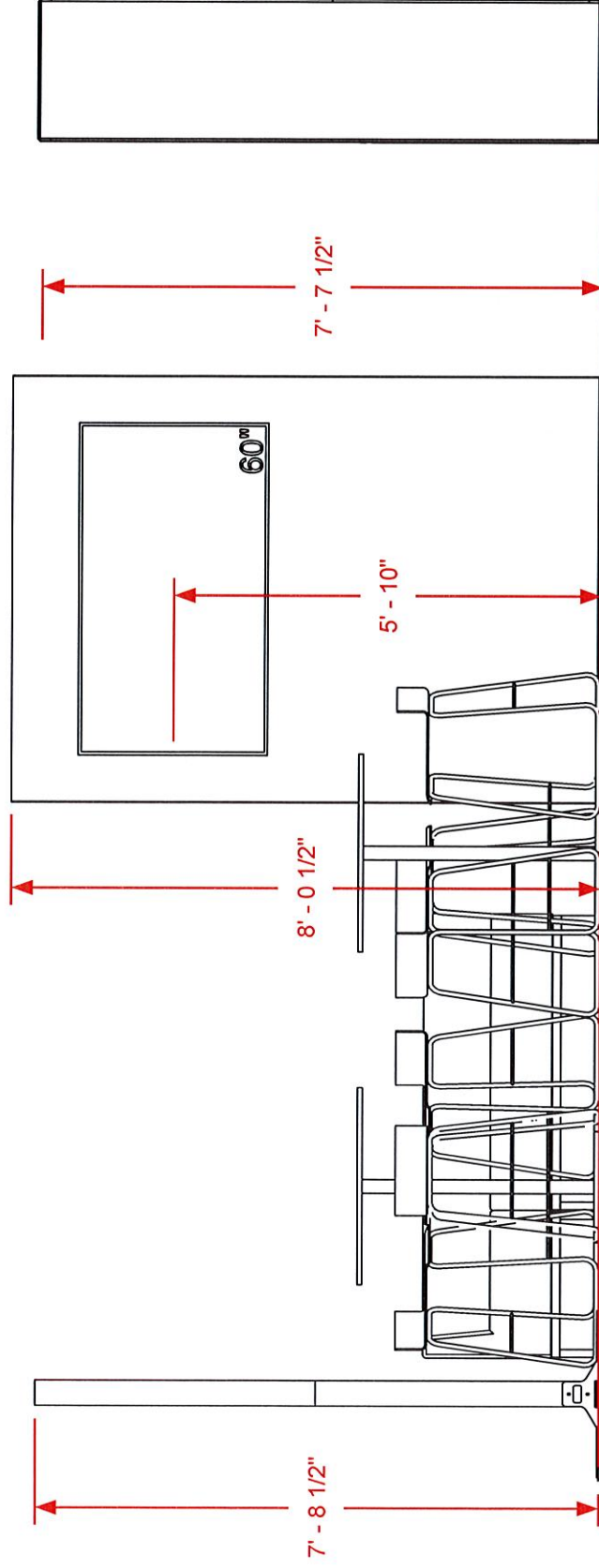
Dist. # <b>1099</b>	Proj: <b>D-0035434600</b>	Rev. <b>B</b>	Mgr: <b>SS</b>	Cad: <b>SLJ</b>	Proj: <b>diy</b>
Rep:			Est: <b>SS</b>	Date: 3/24/2022 3:42 PM	



FRONT

# Bigger Orbit

Dist. # 1099	Proj: D-0035434600	Rev. B	Mgr: SS	Cad: SLJ	Proj: <b>DIY</b>
Rep:			Est: SS	Date: 3/24/2022 3:42 PM	

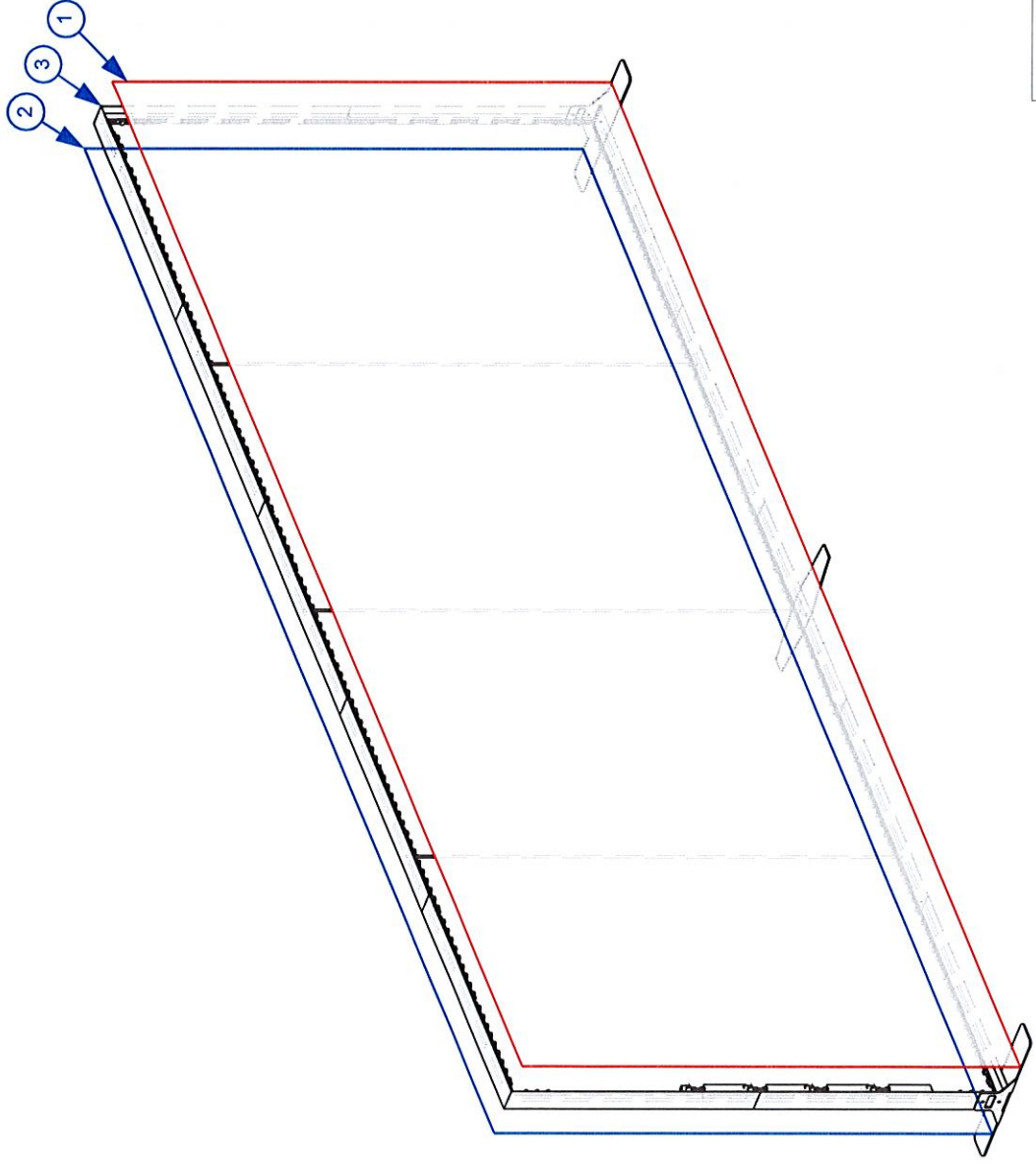


Left

**Bigger Orbit**

Dist. # <b>1099</b>	Proj: <b>D-0035434600</b>	Rev. <b>B</b>	Mgr: <b>SS</b>	Cad: <b>SLJ</b>	Proj: <b>DIY</b>
Rep:			Est: <b>SS</b>	Date: 3/24/2022 3:42 PM	

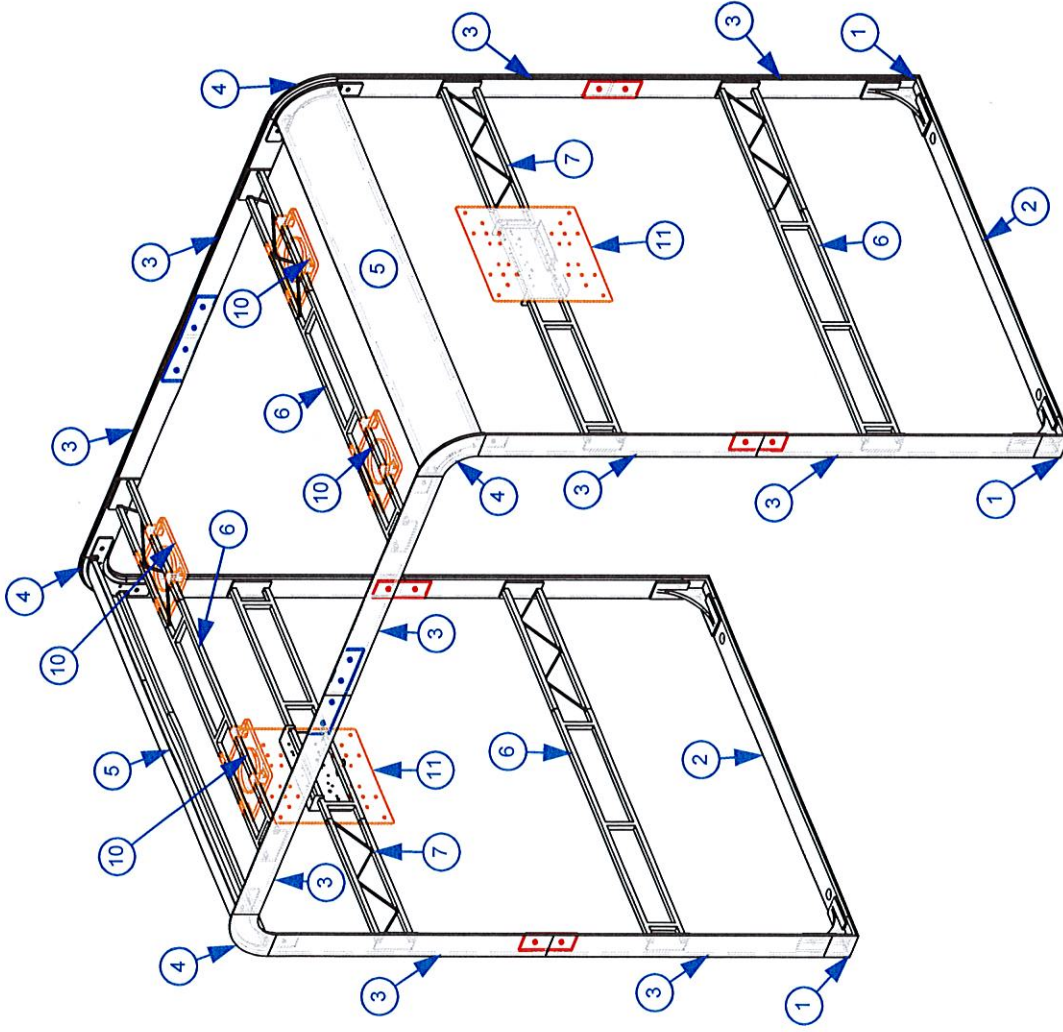
# 20' PICTUREGLOW UNIT



Qty	Description
1	PictureGlow 20' x 8' Sq Fab Bnr BkLit
1	PictureGlow 20'x8' Sq Light Blkr
1	PictureGlow 20' x 8' Sq Frm Pkg

Dist. # 1099	Proj: D-0035434600	Rev. B	Mgr: SS	Cad: SLJ	Proj: DIY
Rep:			Est: SS	Date: 3/24/2022 3:42 PM	

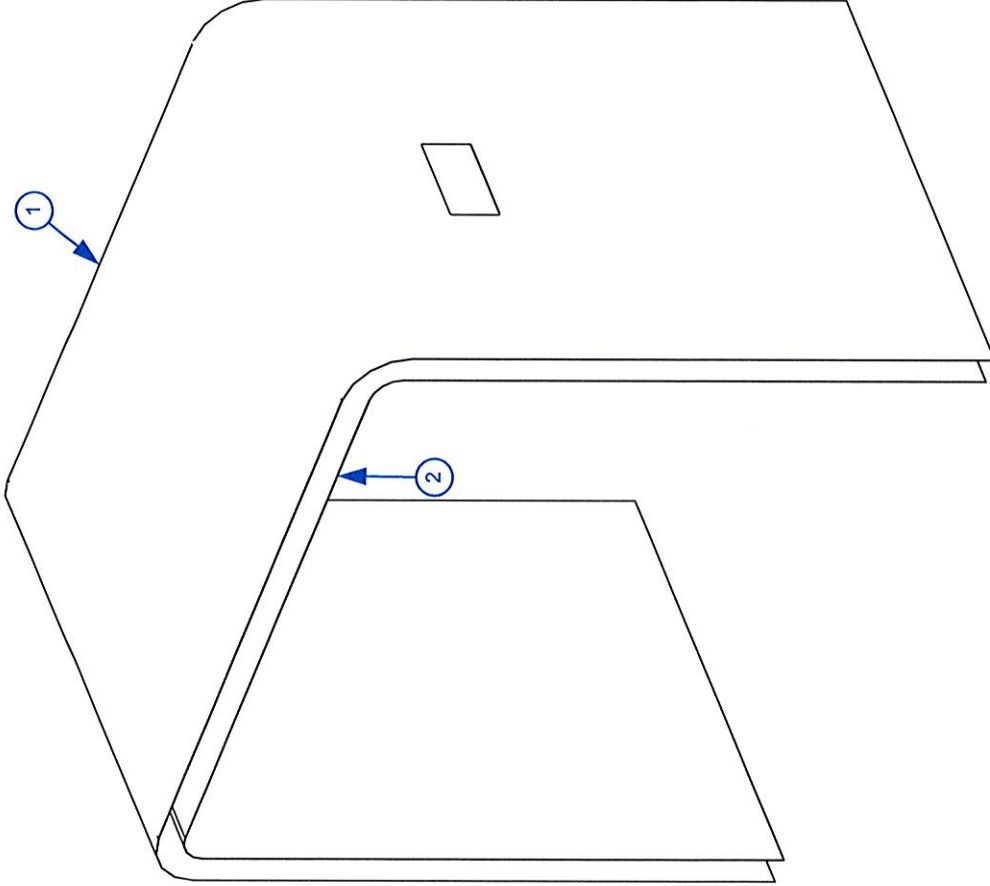
# ENVOY HARDWARE



Item No.	Qty	Description
1	4	Envoy Square Corner
2	2	Envoy 61" - conn/wm holes both ends
3	12	Envoy 42" - no holes
4	4	Envoy Round Arch Corner
5	2	Envoy 69" Fab support assem.
6	4	Envoy 69" support spanner
7	2	Envoy 69" Monitor Package
8	4	8" Envoy Connector
9	2	16" Envoy Connector
10	4	Single ShoeBox Light in Envoy
11	2	SkyRise Lrg Mon Pit

Dist. # 1099	Proj: D-0035434600	Rev. B	Mgr: SS	Cad: SLJ	Proj: <b>DIY</b>
Rep:			Est: SS	Date: 3/24/2022 3:42 PM	

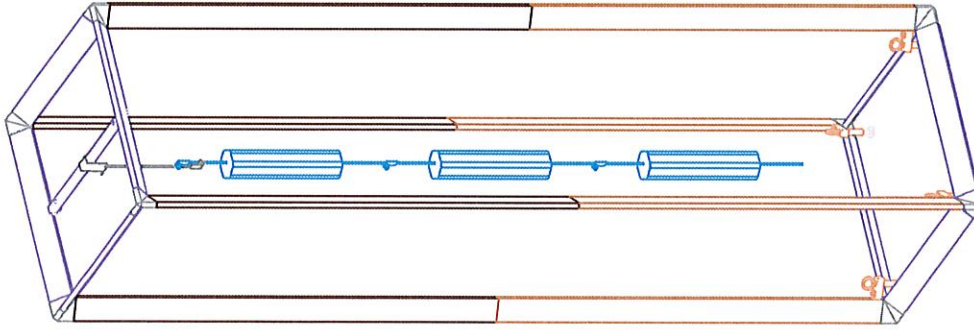
# ENVOY GRAPHICS



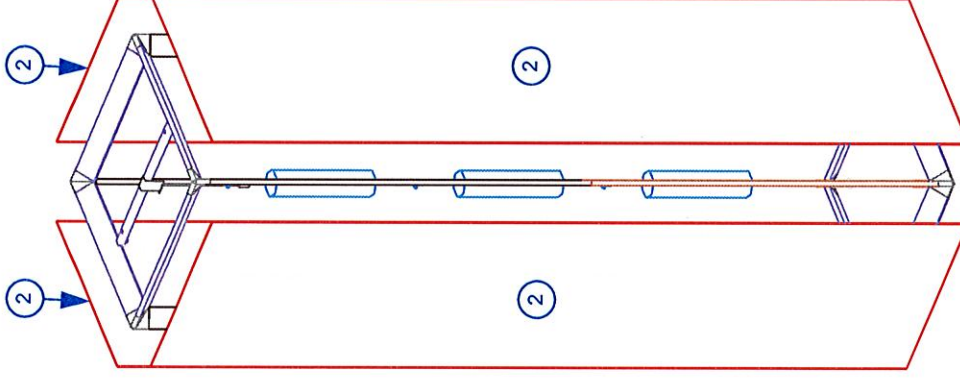
Item No.	Qty	Description
1	1	Envoy Tension Banner 69" x 283.86"
2	1	Envoy Tension Banner 69" x 272.86"

Dist. # 1099	Proj: D-0035434600	Rev. B	Mgr: SS	Cad: SLJ	Proj: <b>DIY</b>
Rep:			Est: SS	Date: 3/24/2022 3:42 PM	

**23"x23"x92" BACKLIT PICTURECUBE**



**QTY. x2**



**HARDWARE**

Item No.	Qty	Description
1	1	23"x23"x92" Backlit Tower

**GRAPHICS**

Item No.	Qty	Description
1	1	23"x23"x92" Backlit Tower
2	4	PCube 23" x 92" Fabric Banner

**Bigger Orbit**

Dist. # <b>1099</b>	Proj: <b>D-0035434600</b>	Rev. <b>B</b>	Mgr: <b>SS</b>	Cad: <b>SLJ</b>	Proj: <b>DIY</b>
Rep:			Est: <b>SS</b>	Date: 3/24/2022 3:42 PM	

TABLE OF CONTENTS

<del>Preassembled Frames</del>		Plugs .....	41
Set Up .....	2	Top & Side Lights	
<b>Major Hardware Components</b>		Halogen .....	42
Frame Connectors		CMH (Ceramic Metal Halide) .....	42
Corner Connectors .....	4	LED .....	42
Arch Connectors .....	4	Light Center Plate .....	43
Split Connectors .....	5	Light Spanner Assembly .....	43
Straight Connectors .....	6	<b>Accessories</b>	
Foot .....	7	Monitor Bracket .....	44-45
Base Plates		Tilting Monitor Bracket .....	46
Standard Base Plate .....	8	Large Monitor Adapter .....	46
Base Plate with Spacer .....	8	Hard Panel .....	47
Base Plates for Walls .....	8	Fabric Panel .....	48
Base Plate with Under Carpet Spacer .....	9	Shelves .....	49
Frame Stacking Package .....	10	Light Header .....	50
Connection Packages		Under Shelf Light .....	51
For SkyTruss® .....	11	Cabinets	
For Tapestry .....	12	Full Cabinet .....	52-54
For Tube Ultra .....	13	Floating Counter Cabinet .....	52-54
For Engage® .....	14	Floating Full Cabinet .....	52-54
For PictureScape® .....	14	Bench Cabinet .....	52-54
Shelf Standards .....	15	Shelf Cabinet .....	52-54
Horizontal Hanger .....	15	Sitting Bench .....	55
<b>Support Pieces</b>		Accessory Hang Rail .....	56
Spanner Bar .....	16	Waterfall Bracket .....	57
Graphic Transitions		Blister Pack Bracket .....	57
Square Frame .....	17	Accessory Track .....	58
Round Frame .....	18	Waterfall Bracket .....	59
Base Panel .....	19	Straight Bar .....	59
Ceiling Panel .....	20	Blister Pack Hook .....	59
Ceiling Panel Lights .....	21	Tablet Mount .....	59
Round Arch Fabric Support .....	22-25	Literature Rack .....	59
Back Lighting		Standoff .....	59
System Components .....	26	Shelf .....	60
Installation Videos .....	27	Hanging Envoy .....	61
Backlit Spanner .....	28		
Installation .....	28-33		
Mounting monitors .....	34		
Backlit fabric installation .....	35		
Edge-Lit LED Light Packages			
Vinyl Light Blocker .....	36		
Double-Sided Light Box Packages .....	37		
Wide Spanner Bar (obsolete version) .....	38		
Rigid Light Blocker .....	39		
Backlit Spanner w/ Monitor (obsolete version) .....	40		
Hard Panel Spacer .....	41		
Wire Management			
Clips .....	42		

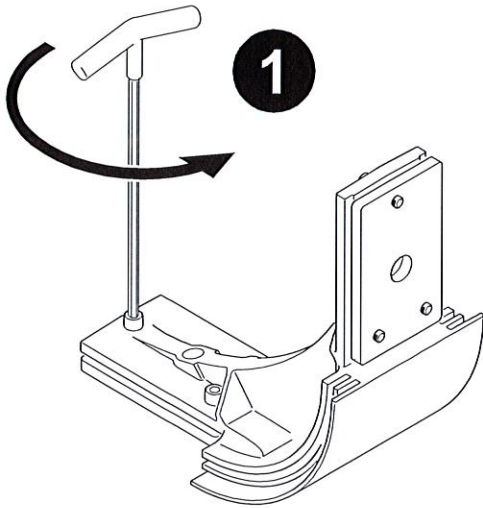
**CAUTION:** Exhibits using Envoy major hardware components, support pieces, accessories and preassembled frames require a minimum of 2 people to

**Frame Connectors**

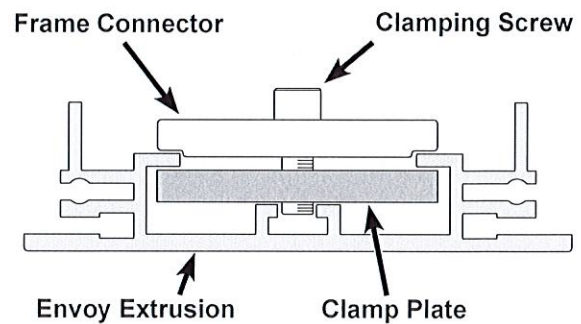
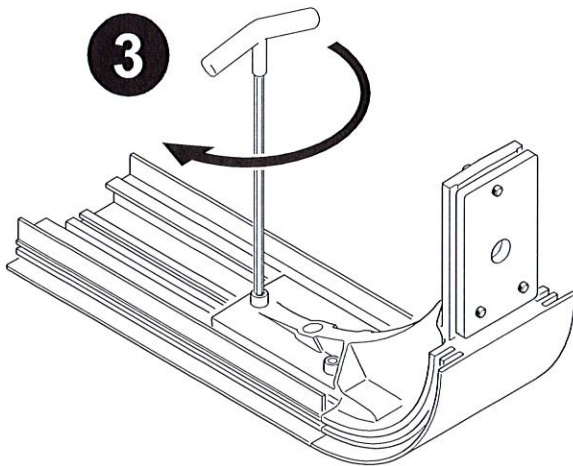
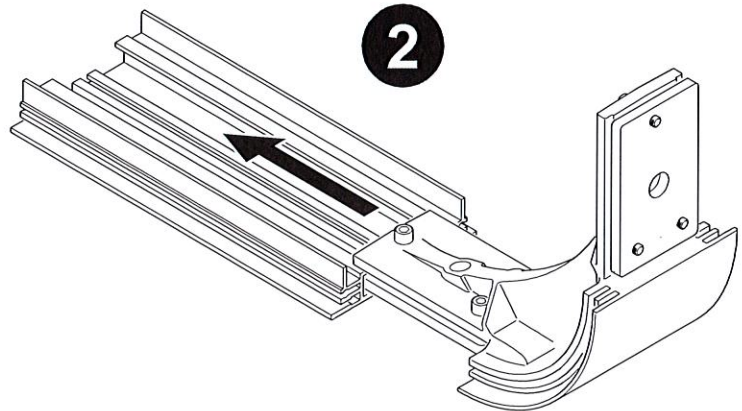
**MAJOR HARDWARE COMPONENTS**

Use the following procedure for installing curve, corner, arch, and split frame connectors.

1. Loosen (Do Not remove) the 1/4-20 x 3/4" socket head connector clamping screws (qty. 3).
2. Start one end of the frame connector into the Envoy extrusion so the clamp plate enters the center cavity of the extrusion. Continue sliding the frame connector and the Envoy extrusion together until fully seated.
3. Firmly tighten the clamping screws at the seated end of the frame connector.  
Repeat for remaining end(s) of frame connector.

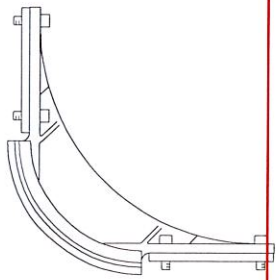


(Round Corner Connector shown)

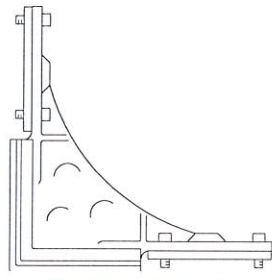


**Frame Connectors**

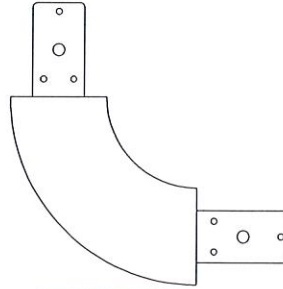
**MAJOR HARDWARE COMPONENTS**



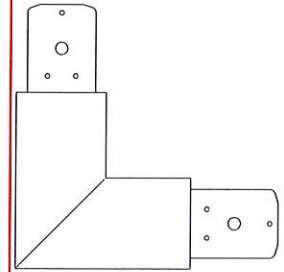
Round Corner



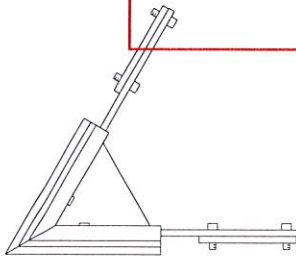
Square Corner



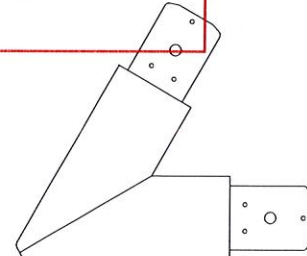
Round Arch



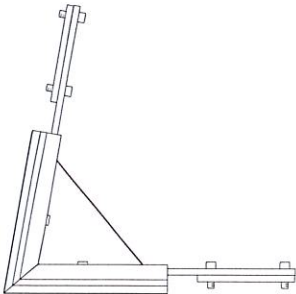
Square Arch



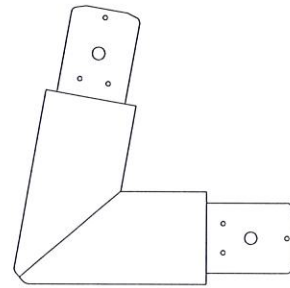
60° Corner



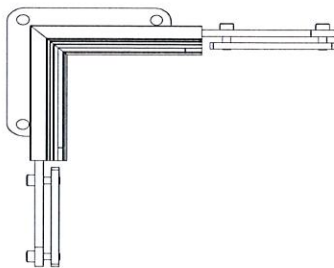
60° Arch



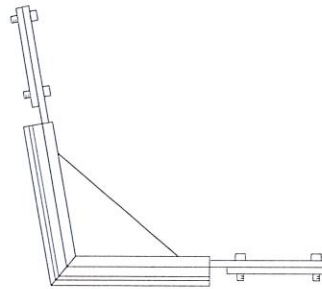
80° Corner



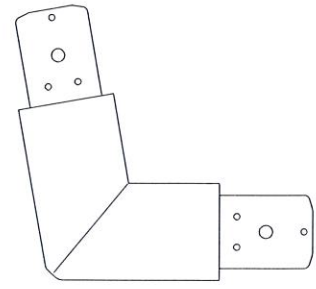
80° Arch



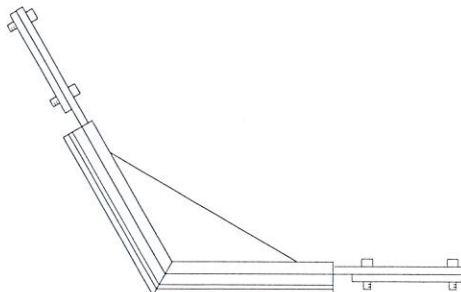
Inside 90° Corner



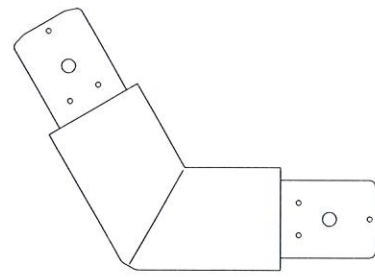
100° Corner



100° Arch



120° Corner



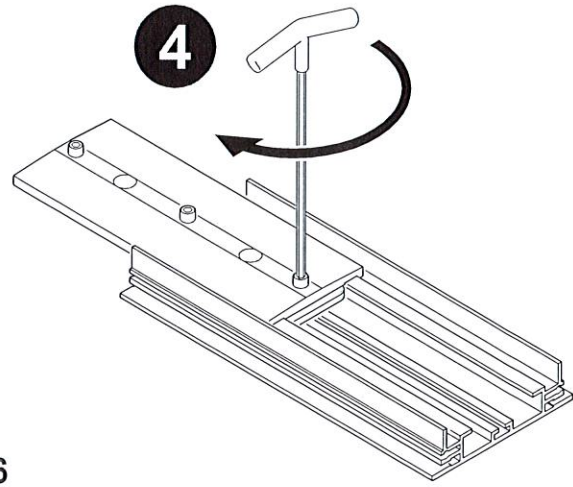
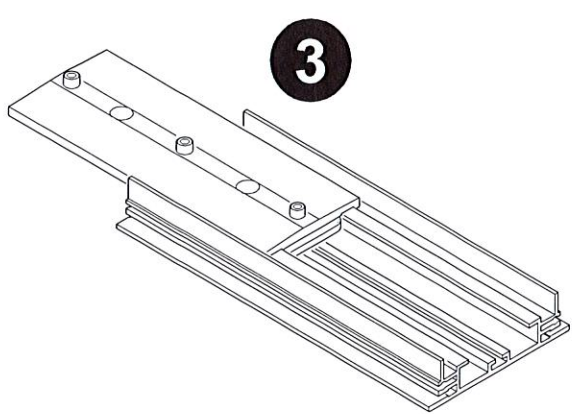
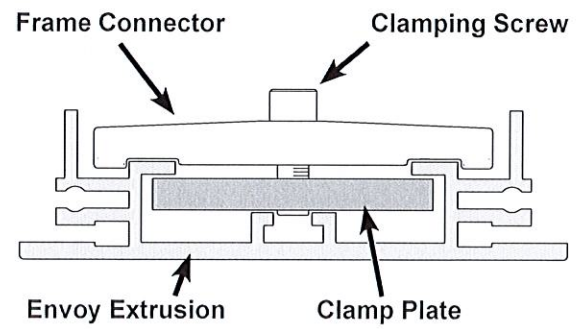
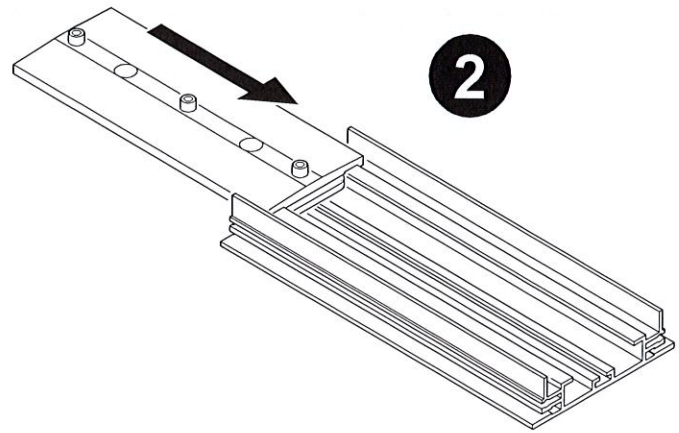
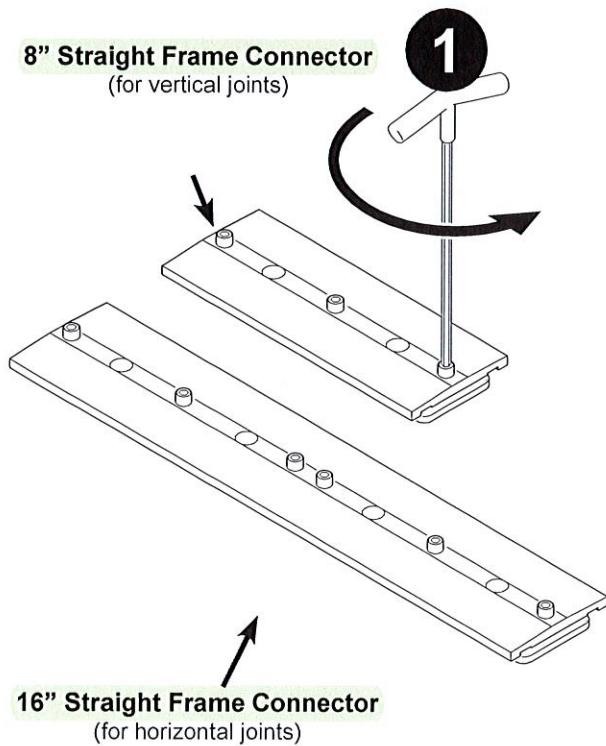
120° Arch

**Frame Connectors**

**MAJOR HARDWARE COMPONENTS**

Use 8" straight frame connectors at vertical joints and 16" straight frame connectors at horizontal joints.

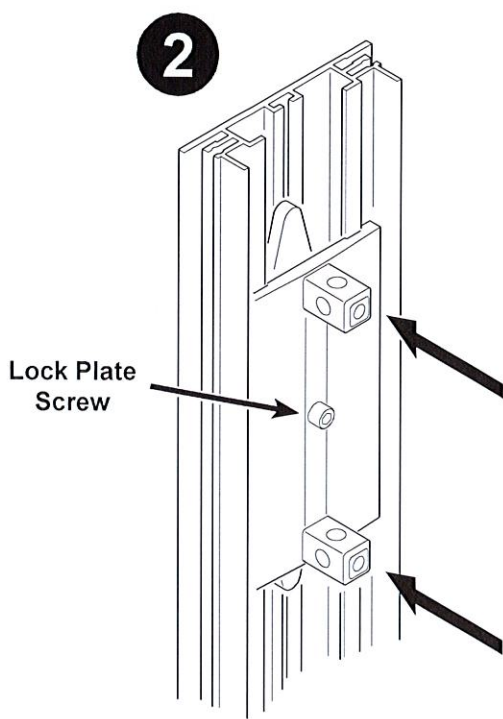
1. Loosen (Do Not remove) the 1/4-20 x 3/4" socket head connector clamping screws (qty. 3).
  2. Start one end of the frame connector into the Envoy extrusion so the clamp plate enters the center cavity of the extrusion.
  3. Continue sliding the frame connector and the extrusion together until the center clamping screw is directly over the edge of the extrusion.
  4. Firmly tighten the clamping screw at the engaged end of the frame connector.
- Repeat for remaining end of connector.  
Firmly tighten the center clamping screw only after the extrusions are firmly seated against each other.



**Spanner Bar**

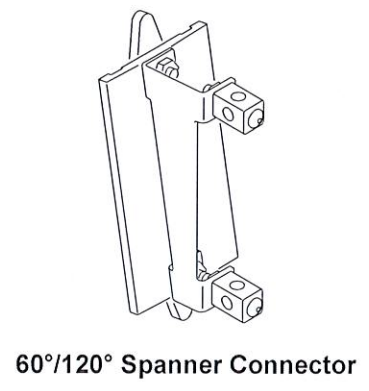
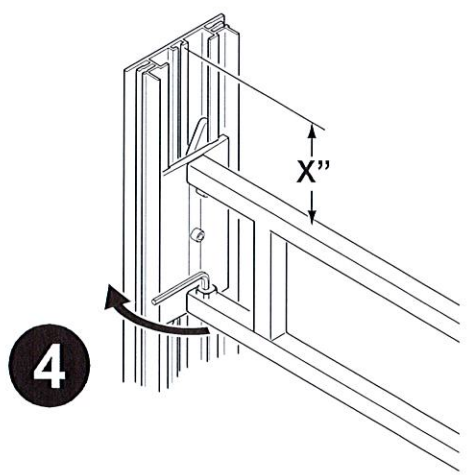
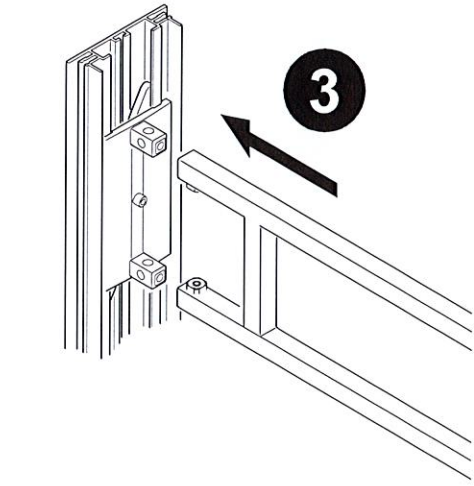
**SUPPORT PIECES**

1. Loosen (Do Not remove) the spanner connector assembly lock plate screw.
  2. Fit the connector assembly against the inside of the Envoy extrusion so the lock plate enters the large center cavity of the extrusion and slide the connector assembly to the desired location. Firmly tighten the lock plate screw.
- Note:** The lock plate should rotate behind the extrusion flanges while tightening the screw, clamping the connector assembly to the extrusion.  
Repeat for remaining end of spanner bar.
3. Fit each end of the spanner bar over the mounting lugs of the connector assembly.
  4. Firmly tighten all four (4) set screws making sure each one seats in the mounting lug dimple. Make sure the spanner bar is square with the assembly. The distance from the end of the extrusion to the spanner bar should be the same at each end of the spanner bar. Loosen the connector assembly lock plate screw, move the connector, and tighten the lock plate screw if necessary.

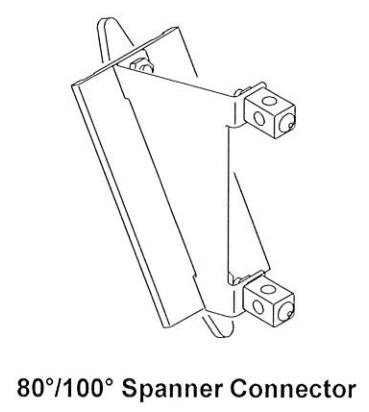


Lock Plate Screw

(90° Spanner Connector shown)



60°/120° Spanner Connector



80°/100° Spanner Connector

**Arch Fabric Support - Round Frame  
(when installed with a Hard Panel below)**

**SUPPORT PIECES**

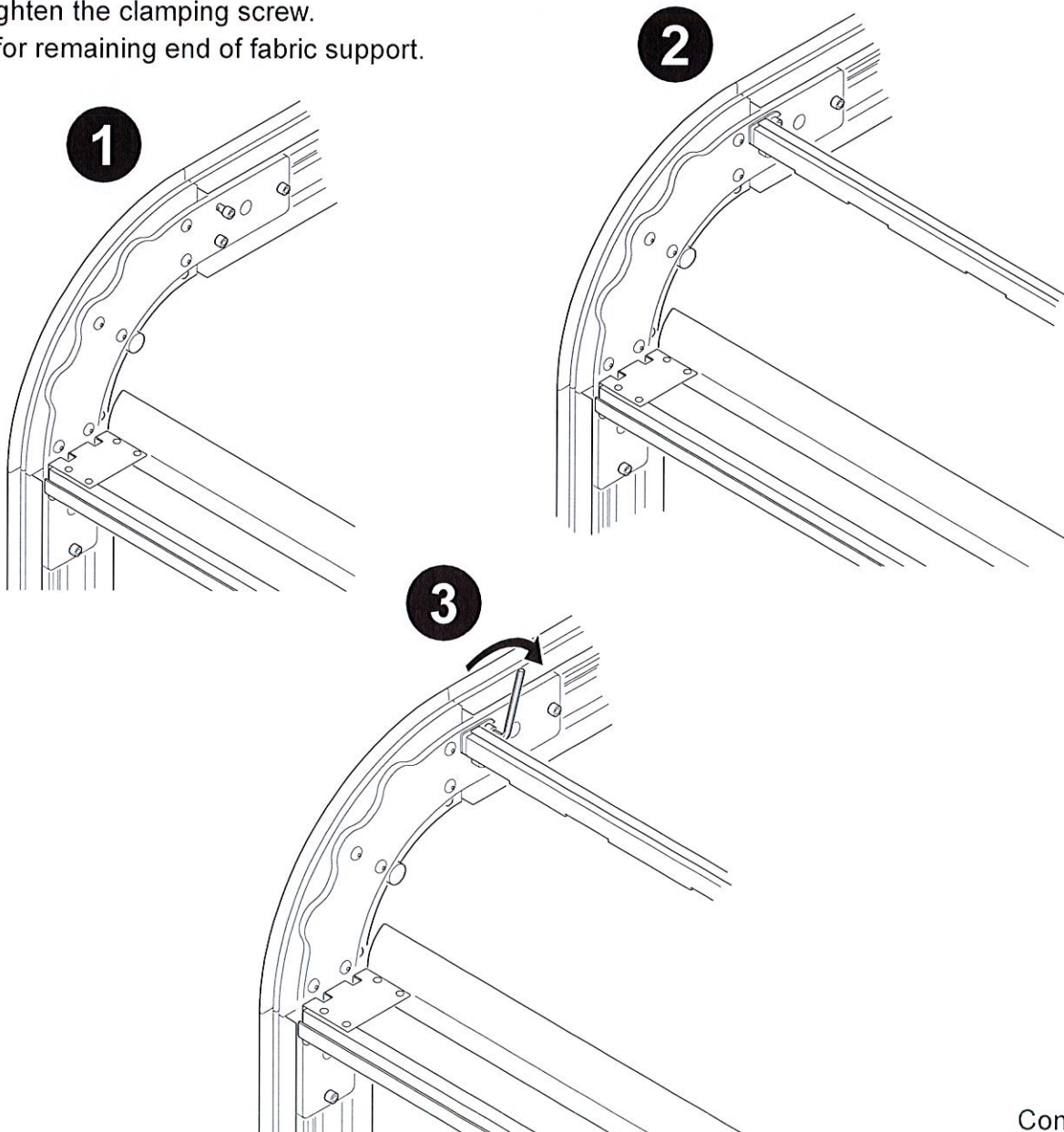
The arch fabric support requires two properly installed arch connectors (one at each end of the fabric support) prior to installation.

Install a single graphic transition as directed prior to installing the arch fabric support.

Only one (1) of the support bars provided with the arch fabric support is required when installing an arch fabric support over a hard panel (the single panel transition includes a panel slot).

Do Not remove the panel slot bracket from the support bar during installation or removal.

1. Loosen (Do Not remove) the ¼-20 x ¾" socket head connector clamping screws (one on each side of the frame assembly) as shown.
2. Make sure the set screws at each end of the fabric support bar are tight. The support bar must be installed with the panel slots open toward the outside of the arch connectors. Slide the support bar under the clamping screw heads.
3. Firmly tighten the clamping screw.  
Repeat for remaining end of fabric support.



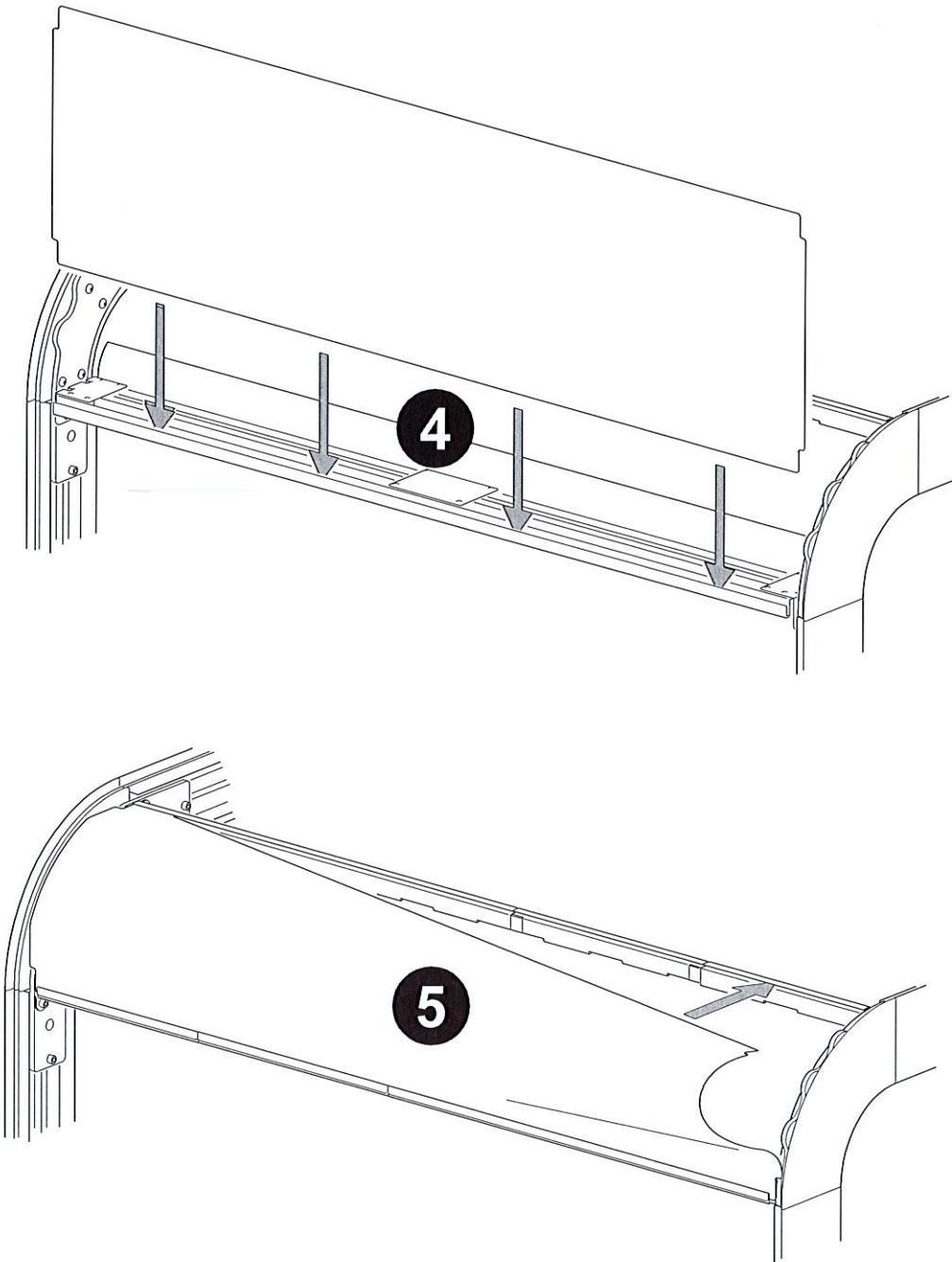
Continued...

**Arch Fabric Support - Round Frame**

SUPPORT PIECES

(when installed with a Hard Panel below - continued)

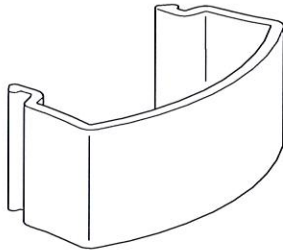
- 4. **Insert the fabric support panel across the entire length of the panel slot in the single panel transition.**
- 5. **Flex or roll the support panel and insert it into the upper support bar.**  
**Note: The fabric support panel should rest squarely on the wavy edge of each arch connector.**



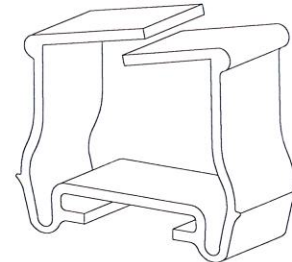
Wire Management

SUPPORT PIECES

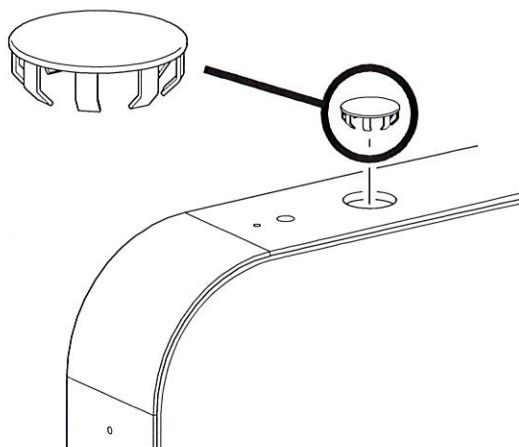
Use wire management clips and plugs as needed to assemble a safe display with a clean presentation.



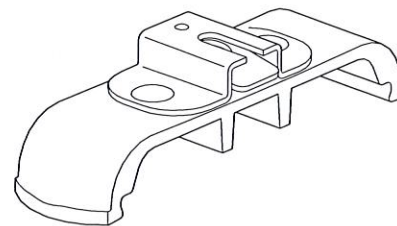
**1" INTERNAL WIRE CLIP**  
MOUNTS TO INSIDE OF ENVOY EXTRUSION



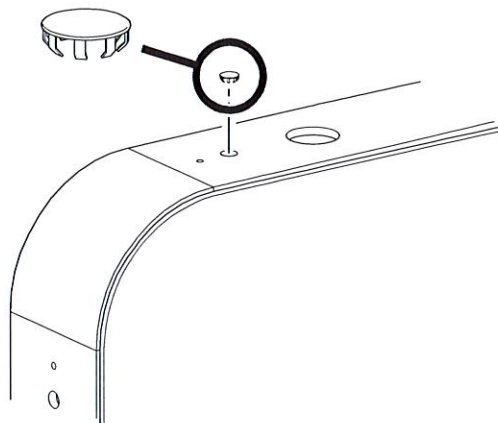
**BACKLIT WIRE MGMT CLIP**  
MOUNTS TO INSIDE OF ENVOY  
EXTRUSION



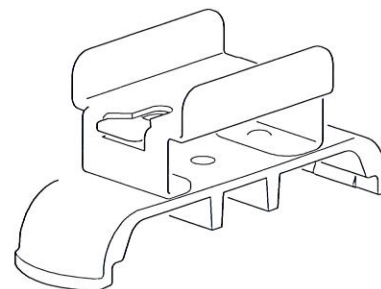
**1 1/2" HOLE PLUG**



**EXTERNAL WIRE CLIP/TOP LIGHT  
MOUNTING BRACKET**  
MOUNTS TO OUTSIDE OF LEVEL ENVOY  
EXTRUSIONS



**1/2" HOLE PLUG**



**EXTERNAL WIRE CLIP/ANGLE TOP  
LIGHT MOUNTING BRACKET**  
MOUNTS TO OUTSIDE OF INCLINED ENVOY  
EXTRUSIONS

**Monitor Bracket**

ACCESSORIES

The monitor bracket is designed for monitors weighing less than 50 lbs. with VESA (View Electronics Standards Association) 75 x 75, 100 x 100, and 100 x 200 mounting holes.

A spanner bar must be installed square with the frame assembly and at least 1-½” below the top of the opening in the front panel before installing the monitor.

1. Attach the monitor bracket to the back of the monitor.

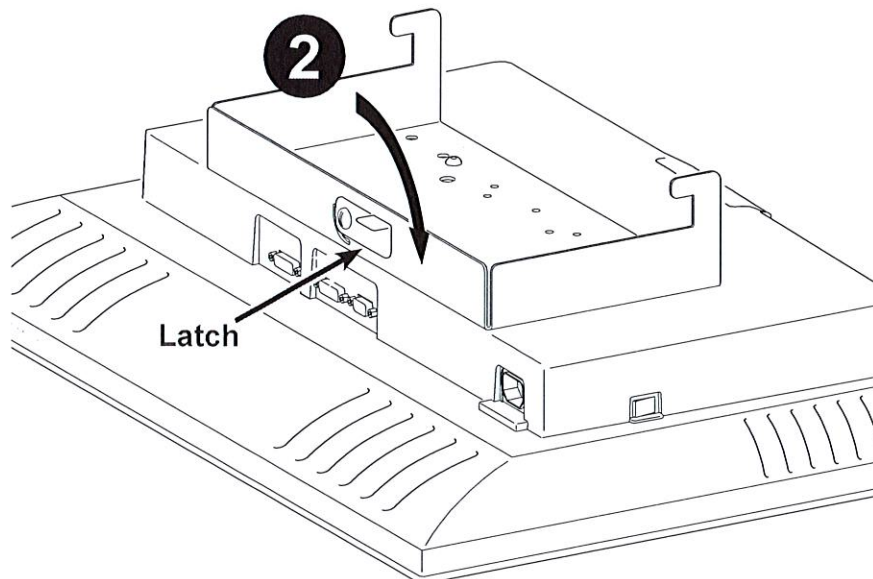
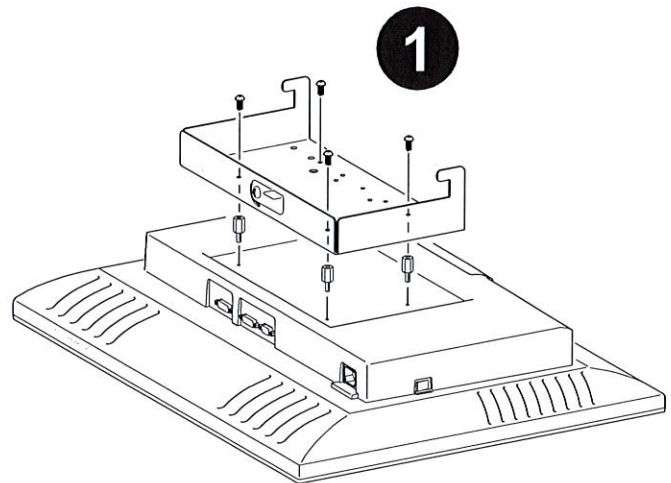
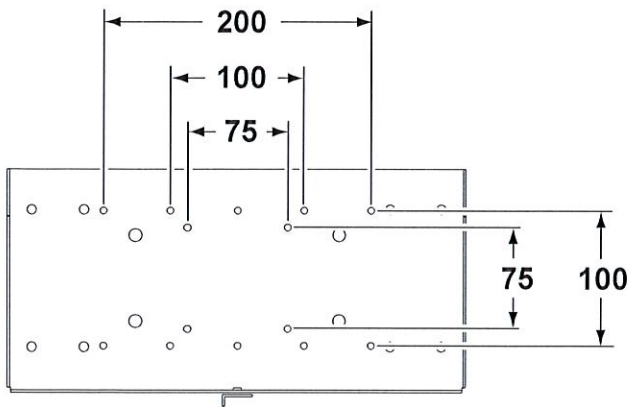
Note: Install the monitor bracket as close to the monitor as possible.

Four (4) mounting screws, four (4) 10mm lg. standoffs, and four (4) 20mm lg. standoffs are provided. Use the standoffs if necessary for monitors with a recessed mounting surface only.

2. Set the monitor bracket latch to the unlocked position.

3. Remove the back panel from the Envoy frame assembly if previously installed.

Fit wire management clips into the sides of the frame at 18” intervals (optional).



Continued...

**Monitor Bracket** (continued)

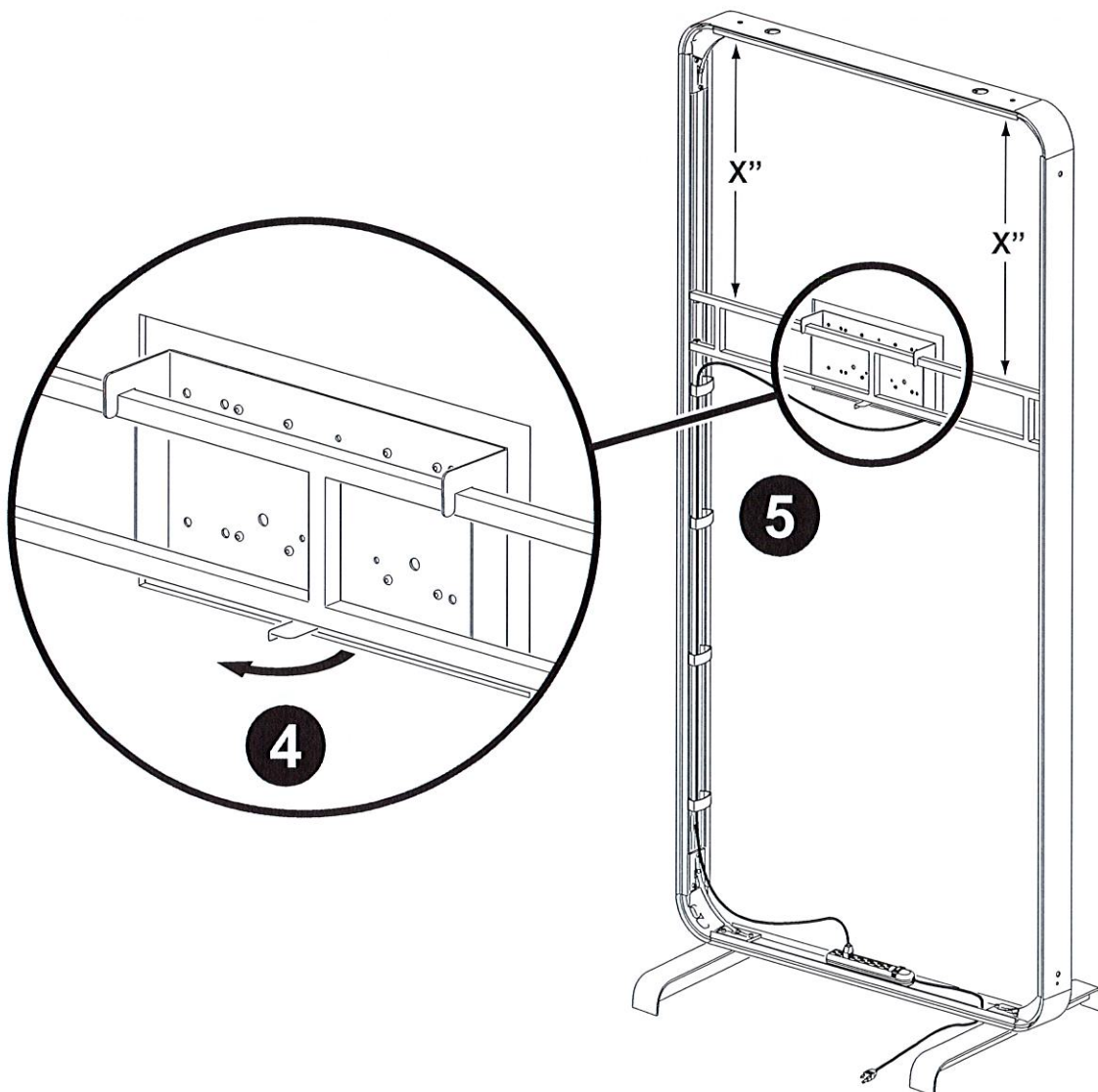
ACCESSORIES

4. Pass the monitor bracket hooks through the front panel and over the top of the spanner bar assembly. Move the monitor bracket latch to the locked position.

**WARNING:** Make sure the monitor bracket hooks are fully engaged with the spanner bar assembly and the monitor bracket latch is in the locked position. Failure to properly install the monitor bracket may result in personal injury and/or damage to property.

5. Run the monitor cords through the front panel, through any optional wire management clips and out one of the holes at the bottom of the assembly.

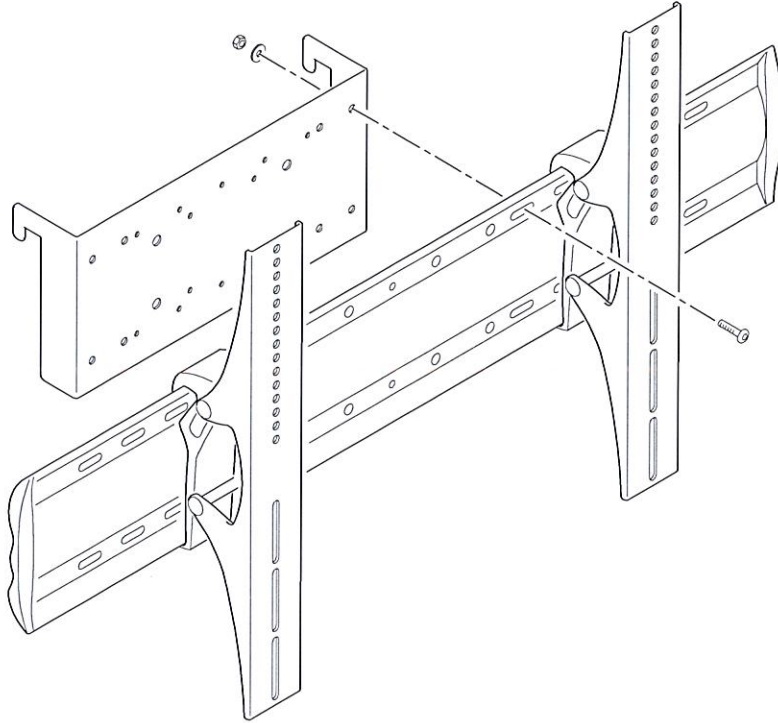
A power strip can be placed between the panels inside the assembly if multiple devices require electricity.



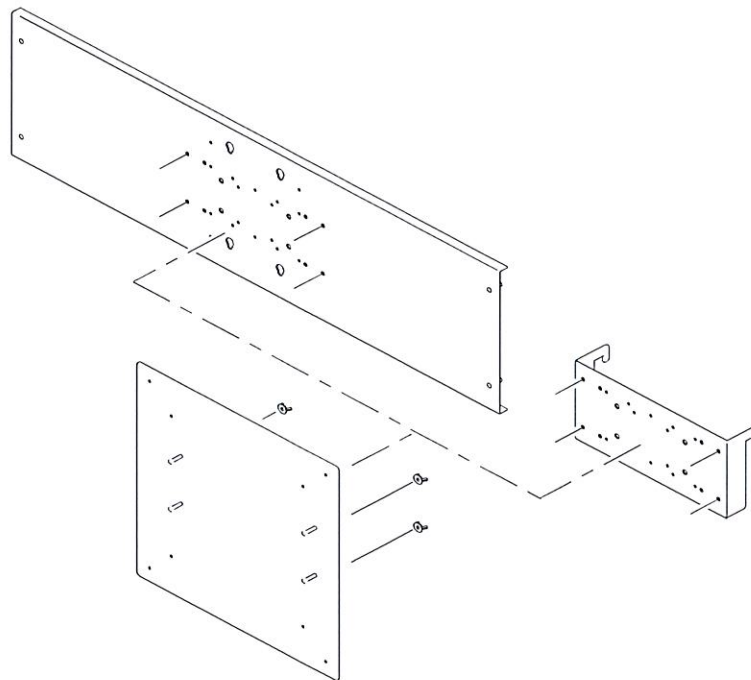
**Tilting Monitor Bracket**

**ACCESSORIES**

1. Inventory all tilting bracket components provided by the manufacturer prior to installation.
2. Follow all installation instructions provided by the manufacturer carefully and completely.



**Large Monitor Adapter**  
(46" & LARGER)



**Fabric Panel**

**ACCESSORIES**

Fabric panels use “FlexLock” flexible strip sewn to the outside edge of the fabric panel. The FlexLock edge of the fabric is inserted into the Envoy extrusion.

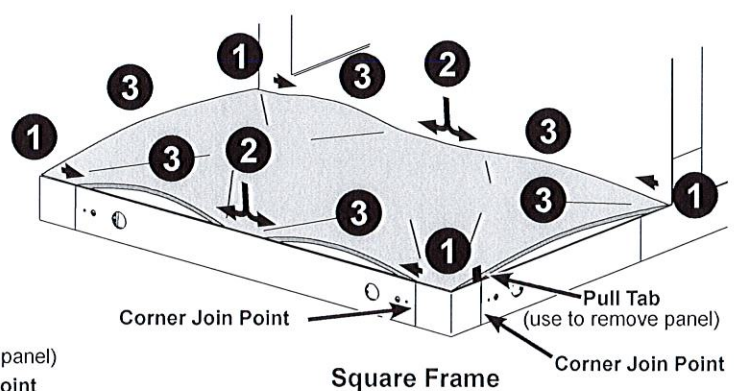
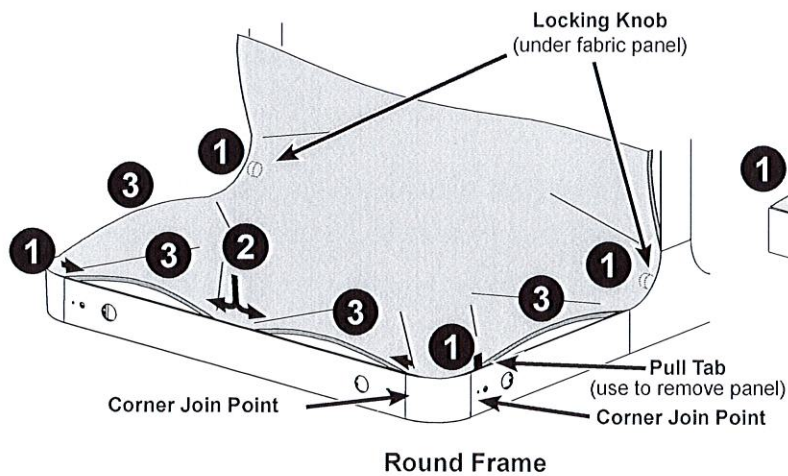
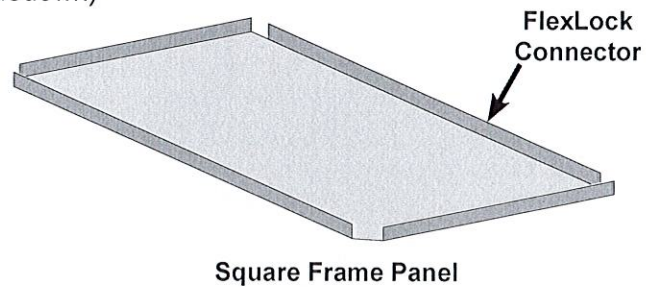
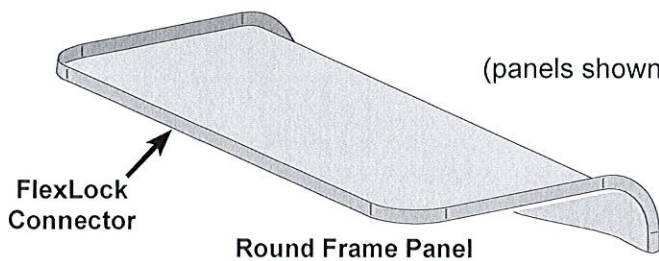
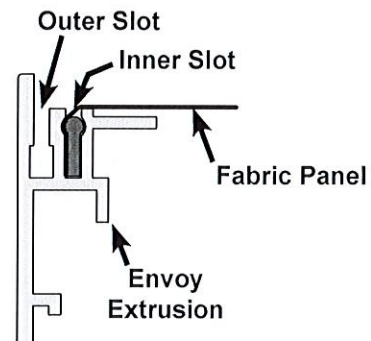
Each fabric panel is marked to help determine its specific location and if it is installed on the inside or outside slot.

**INSTALLATION:**

1. **Start at the corners** of the assembly. To help you align the panel, the fabric panel is marked at each connector join point. Work the FlexLock edge of into the inner slot through the entire corner. When installing fabric panels into an arch connector: loosen the locking knob, work the FlexLock edge through the corner, then tighten the locking knob.
2. Press the FlexLock edge of the panel into the inner slot near the middle edge of the assembly.
3. Fit the FlexLock connector into the rest of the assembly slot, working from the corners inward and the middle outward, smoothing the fabric as you go.

**REMOVAL:**

Pull tab near bottom left corner of panel and carefully

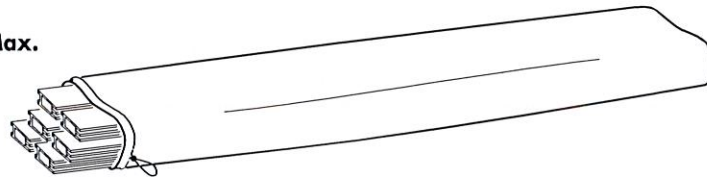


## Table of Contents

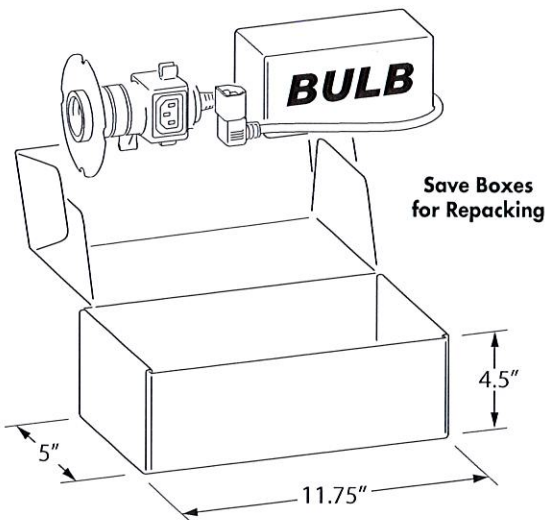
<b>Standard Kits</b> .....	2-3	Cross Brace Assembly .....	7
<b>Assembly</b> .....	4	Fabric Panel .....	7
<b>Primary Components</b>		Hang Corner .....	8
Corner Connector .....	5	Anti-Rotation Connector .....	8
Straight Connector .....	5	<b>Internal Lighting</b>	
Top Light Bracket .....	5	Configurations for Standard Kits .....	9
Hang/Foot Assembly.....	5	1-Light Assemblies for Rectangles & Cubes .....	10
Center Foot .....	6	2-Light & 3-Light Assemblies for Rectangles & Cubes..	11
Vertical Brace Assembly.....	6	2-Light & 3-Light Assemblies Diamonds.....	12

## Packing & Unpacking

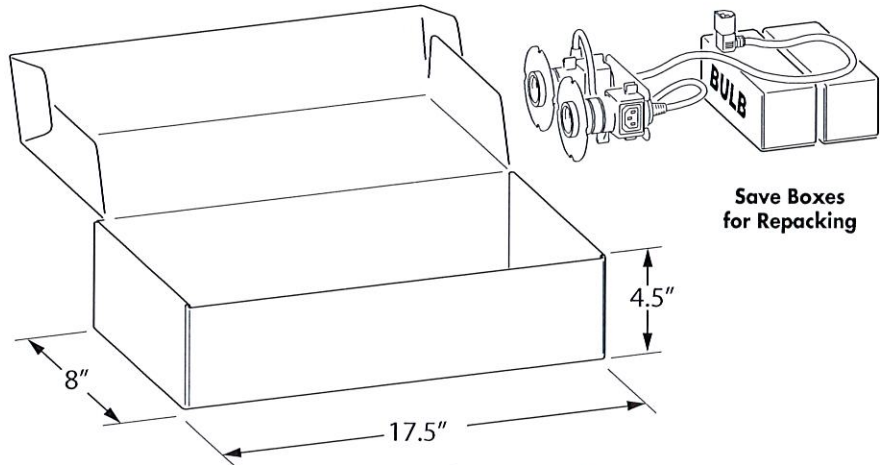
Six 46" Extrusions Max.



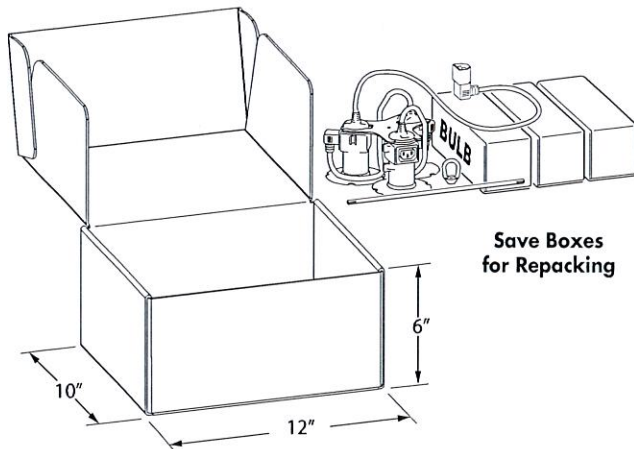
**PictureCube Extrusions**



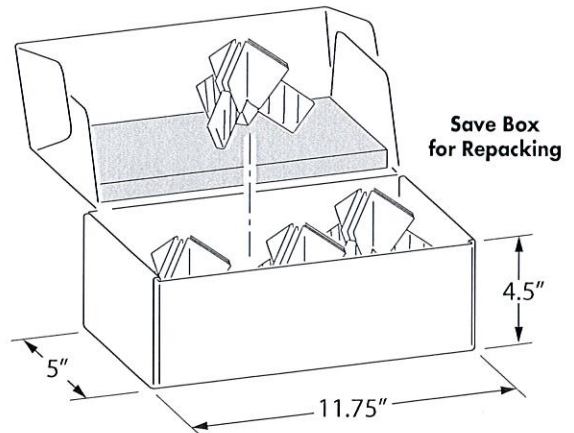
**1-Light Assembly**



**2-Light Assembly**

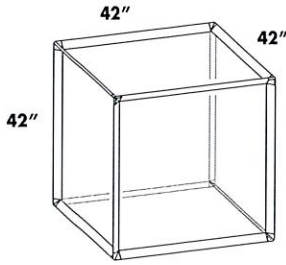


**3-Light Assembly**

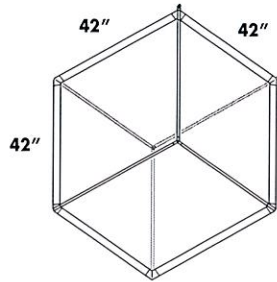


**Corner Connectors**

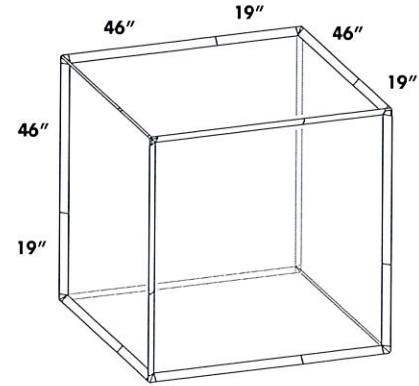
## Standard Kits



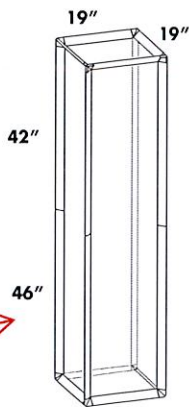
**46" x 46" x 46" CUBE**



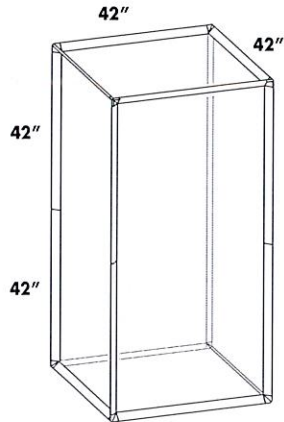
**46" x 46" x 46" DIAMOND**



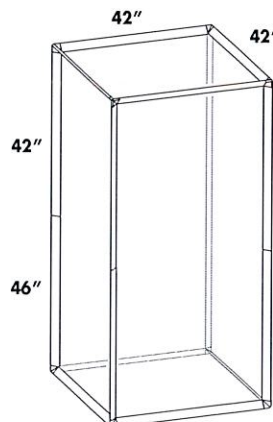
**69" x 69" x 69" CUBE**



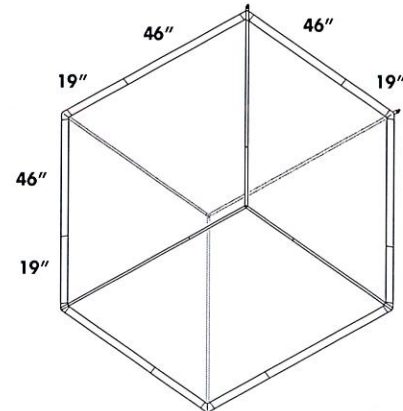
**23" x 23" x 92"**



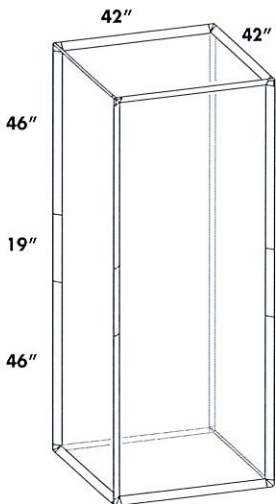
**46" x 46" x 88"**



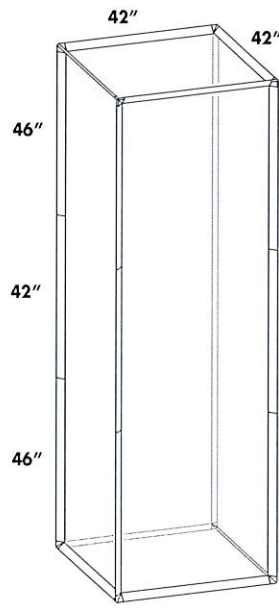
**46" x 46" x 92"**



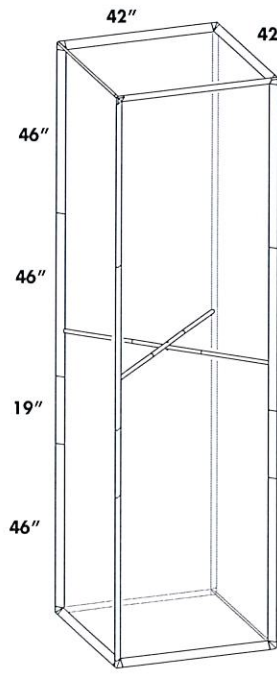
**69" x 69" x 69" DIAMOND**



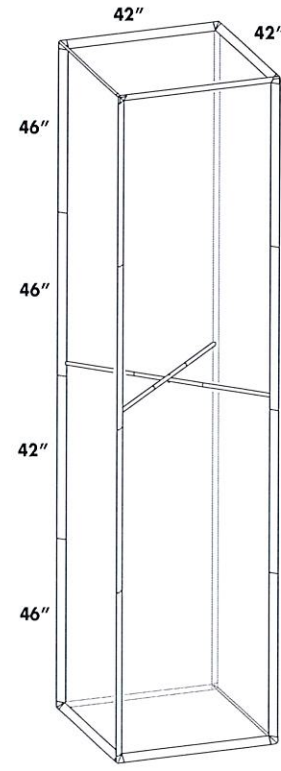
**46" x 46" x 115"**



**46" x 46" x 138"**



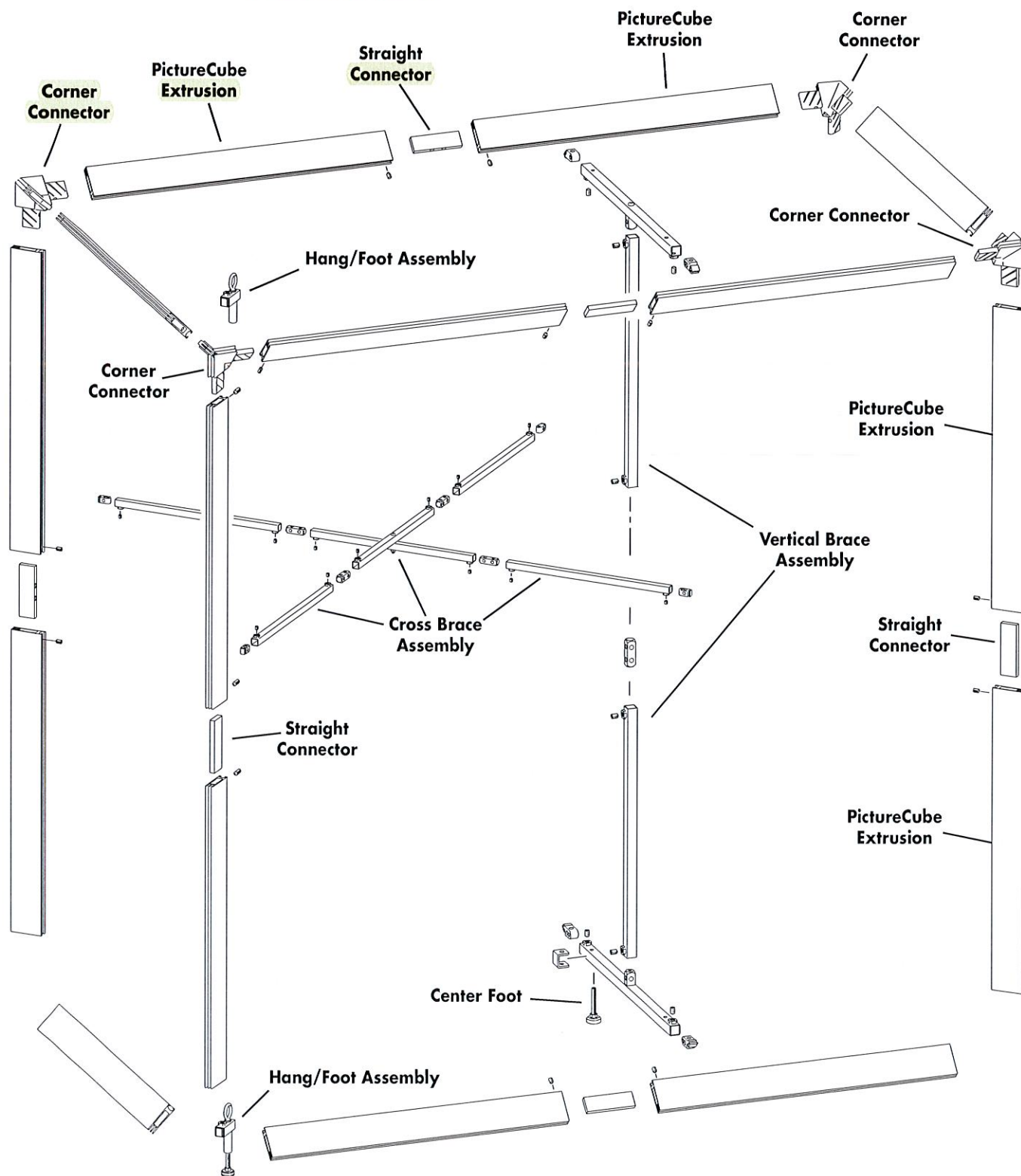
**46" x 46" x 161"**



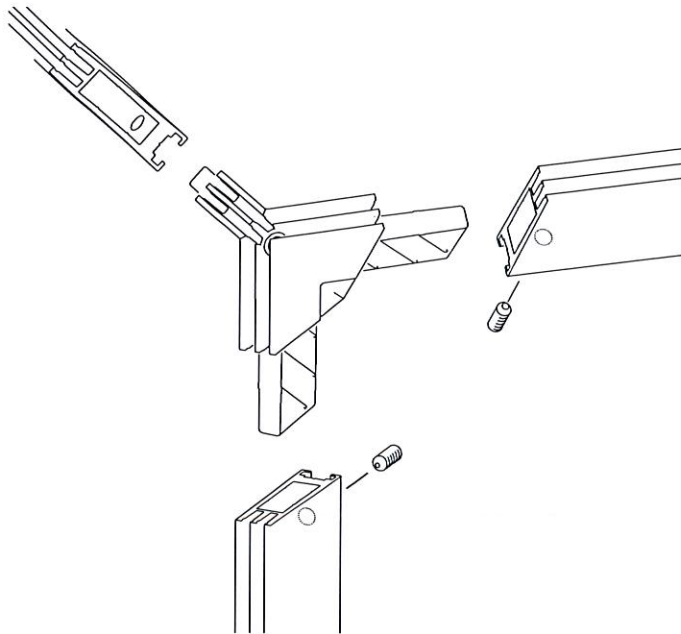
**46" x 46" x 184"**

## Assembly

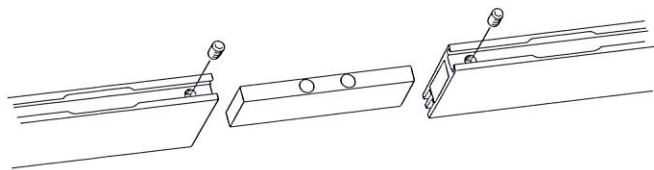
you have a smaller display, but the main connections are the same.



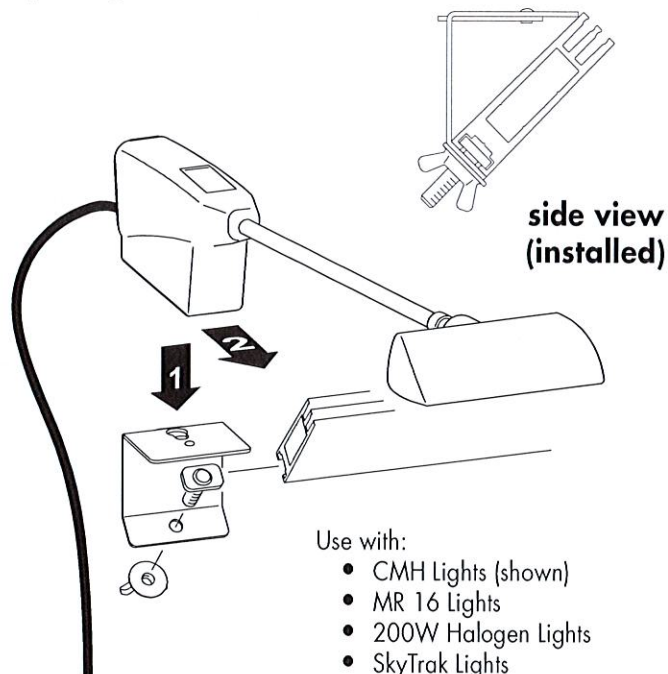
## Corner Connector



## Straight Connector



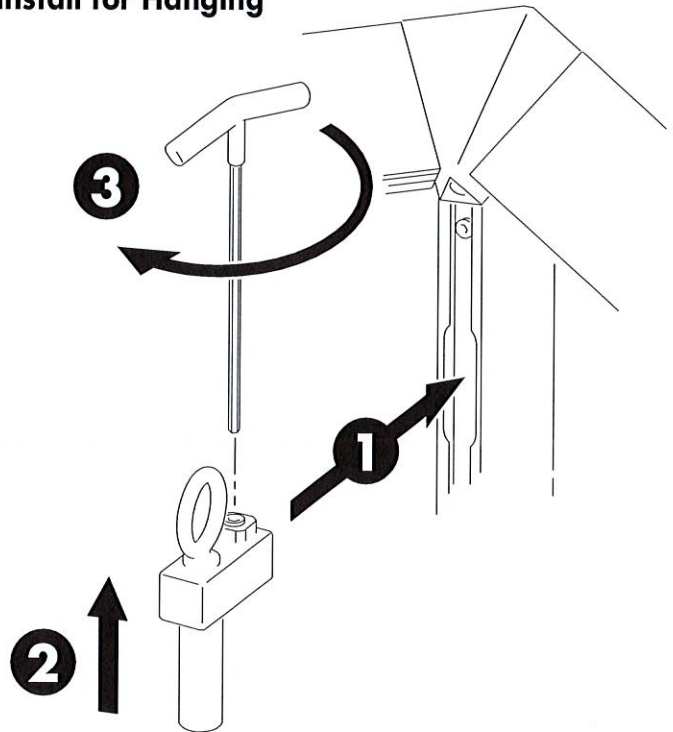
## Top Light Bracket



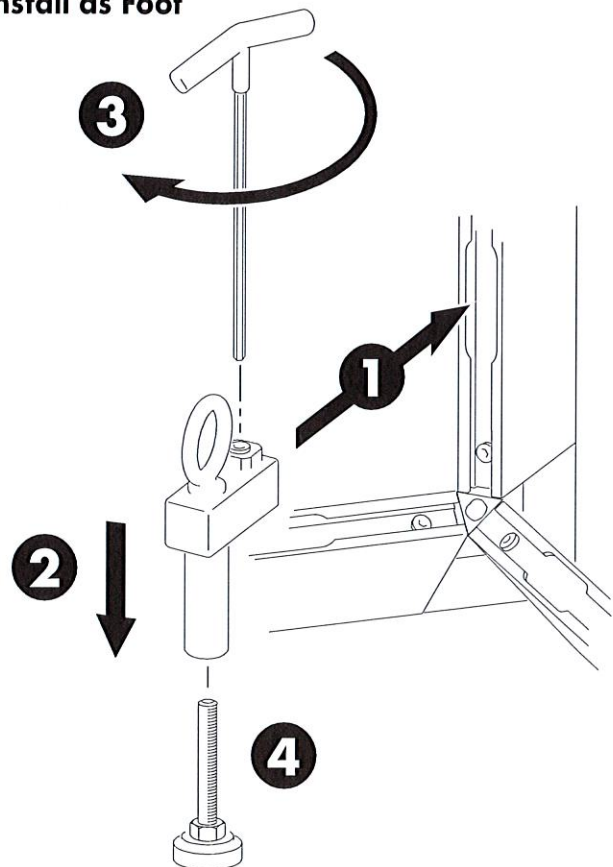
## Hang/Foot Assembly

For Cube & Rectangle Kits Only.

### Install for Hanging



### Install as Foot

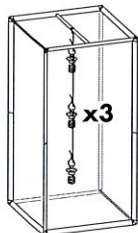
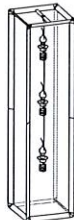


## Internal Lighting

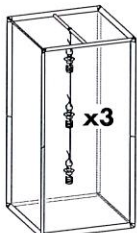
### 1-Light Assemblies

Multiple single bulb internal light assemblies may be strung together as shown.

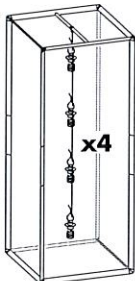
x3



x3

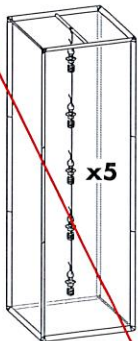


x3

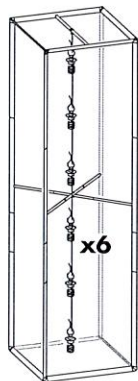


x4

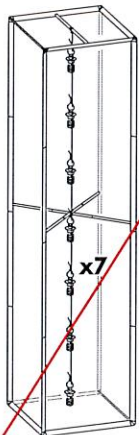
23" x 23" x 92" 46" x 46" x 88" 46" x 46" x 92" 46" x 46" x 115"



x5

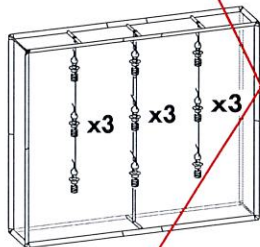


x6



x7

46" x 46" x 138" 46" x 46" x 161" 46" x 46" x 184"

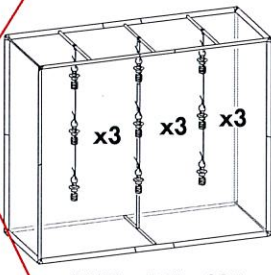


x3

x3

x3

115" x 23" x 92"

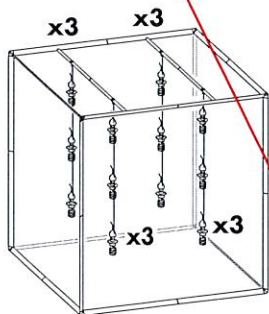


x3

x3

x3

115" x 46" x 92"

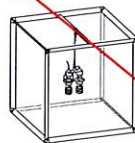


x3

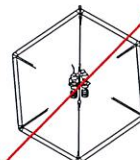
x3

92" x 92" x 92" Cube

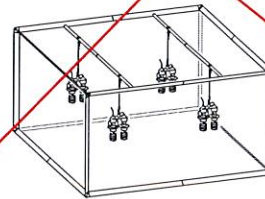
### 2-Light Assemblies



46" x 46" x 46" Cube

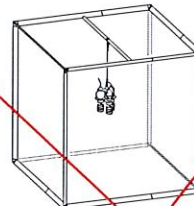


46" x 46" x 46" Diamond

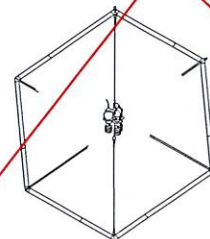


92" x 92" x 46"

### 3-Light Assemblies

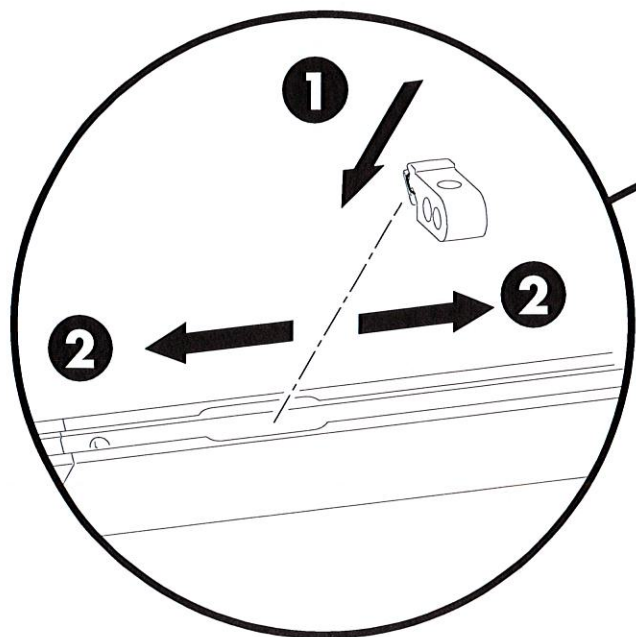


69" x 69" x 69" Cube



69" x 69" x 69" Diamond

## Internal Lighting - 1-Light Assemblies for Rectangles & Cubes



PictureCube to Truss Connector  
Installation (inverted view)

