



Stratus table has been eliminated from the design

Password	Rev.	Manager	Estimator	Designer:
				04/ 25/ 2012 1:29 PM

ceiling element, built from truss tube and white sheer fabric. detailed in 2 pages

Square tube ultra

23"x13" counter with 2 pipe legs on the front

BLACK LAM WITH SILVERTEE EDGE***

2 LED tele-scoping lights

Graphic boards on grippers 20"x40" (x2) per side of booth

lit holders (x4)

claw foot

132.25"x92" slot banner

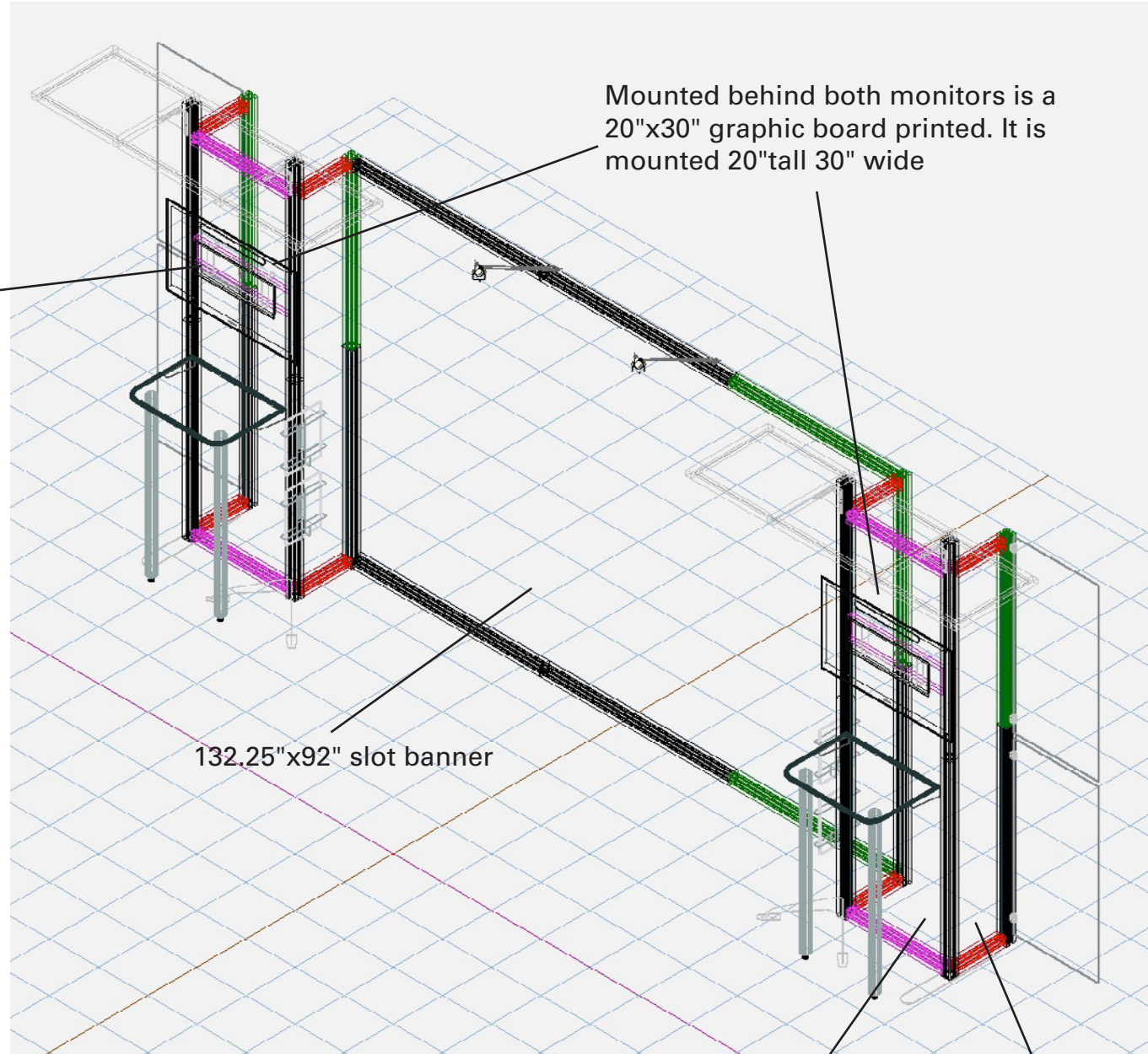
claw foot

thin pill

SIZE KEY

- 11.25° CURVE
- 22.5° CURVE
- 45° CURVE
- CUBE
- 5.75" STRAIGHT
- 11.5" STRAIGHT
- 23" STRAIGHT
- 34.5" STRAIGHT
- 40.25" STRAIGHT
- 46" STRAIGHT
- 92" STRAIGHT

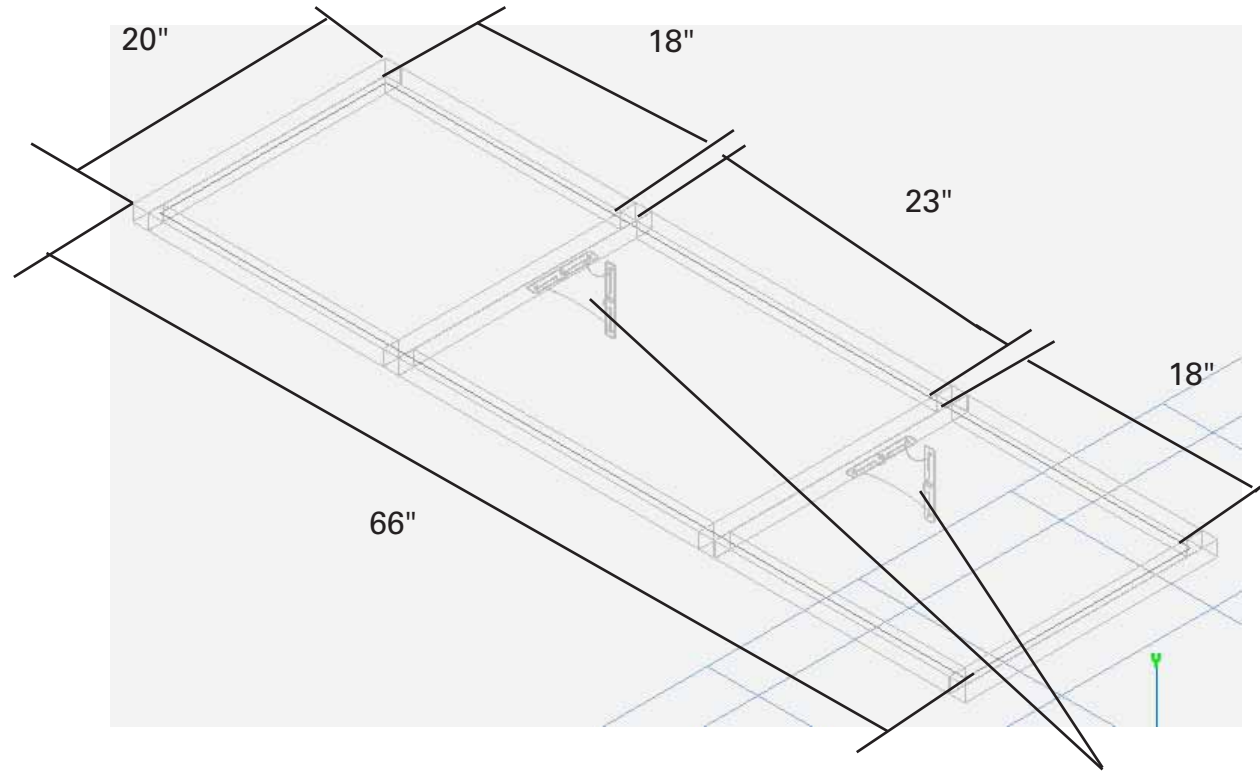
Password	Rev.	Manager	Estimator	Designer:
				04/ 25/ 2012 1:29 PM



SIZE KEY

- 11.25° CURVE
- 22.5° CURVE
- 45° CURVE
- CUBE
- 5.75" STRAIGHT
- 11.5" STRAIGHT
- 23" STRAIGHT
- 34.5" STRAIGHT
- 40.25" STRAIGHT
- 46" STRAIGHT
- 92" STRAIGHT

Password	Rev.	Manager	Estimator	Designer:
				04/ 25/ 2012 1:29 PM



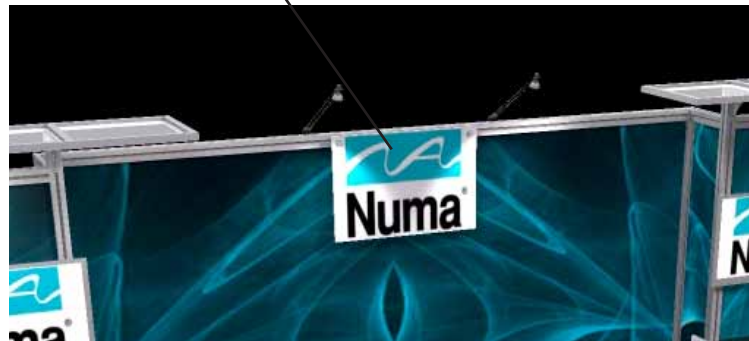
gussets to mount to tube
ultra

SIZE KEY

- 11.25° CURVE
- 22.5° CURVE
- 45° CURVE
- CUBE
- 5.75" STRAIGHT
- 11.5" STRAIGHT
- 23" STRAIGHT
- 34.5" STRAIGHT
- 40.25" STRAIGHT
- 46" STRAIGHT
- 92" STRAIGHT

Password	Rev.	Manager	Estimator	Designer:
				04/ 25/ 2012 1:29 PM

20" x 30" logo board graphic in center of backwall



SIZE KEY

- 11.25° CURVE
- 22.5° CURVE
- 45° CURVE
- CUBE
- 5.75" STRAIGHT
- 11.5" STRAIGHT
- 23" STRAIGHT
- 34.5" STRAIGHT
- 40.25" STRAIGHT
- 46" STRAIGHT
- 92" STRAIGHT

Password	Rev.	Manager	Estimator	Designer:
				04/ 25/ 2012 1:29 PM

Login Name: Numa Wireframe 2

s.100000

Rep:

10x10 version is based off the right side of the 10x20



SIZE KEY

- 11.25° CURVE
- 22.5° CURVE
- 45° CURVE
- CUBE
- 5.75" STRAIGHT
- 11.5" STRAIGHT
- 23" STRAIGHT
- 34.5" STRAIGHT
- 40.25" STRAIGHT
- 46" STRAIGHT
- 92" STRAIGHT

Password	Rev.	Manager	Estimator	Designer:
				04/ 25/ 2012 1:29 PM

Login Name: Numa Wireframe 2

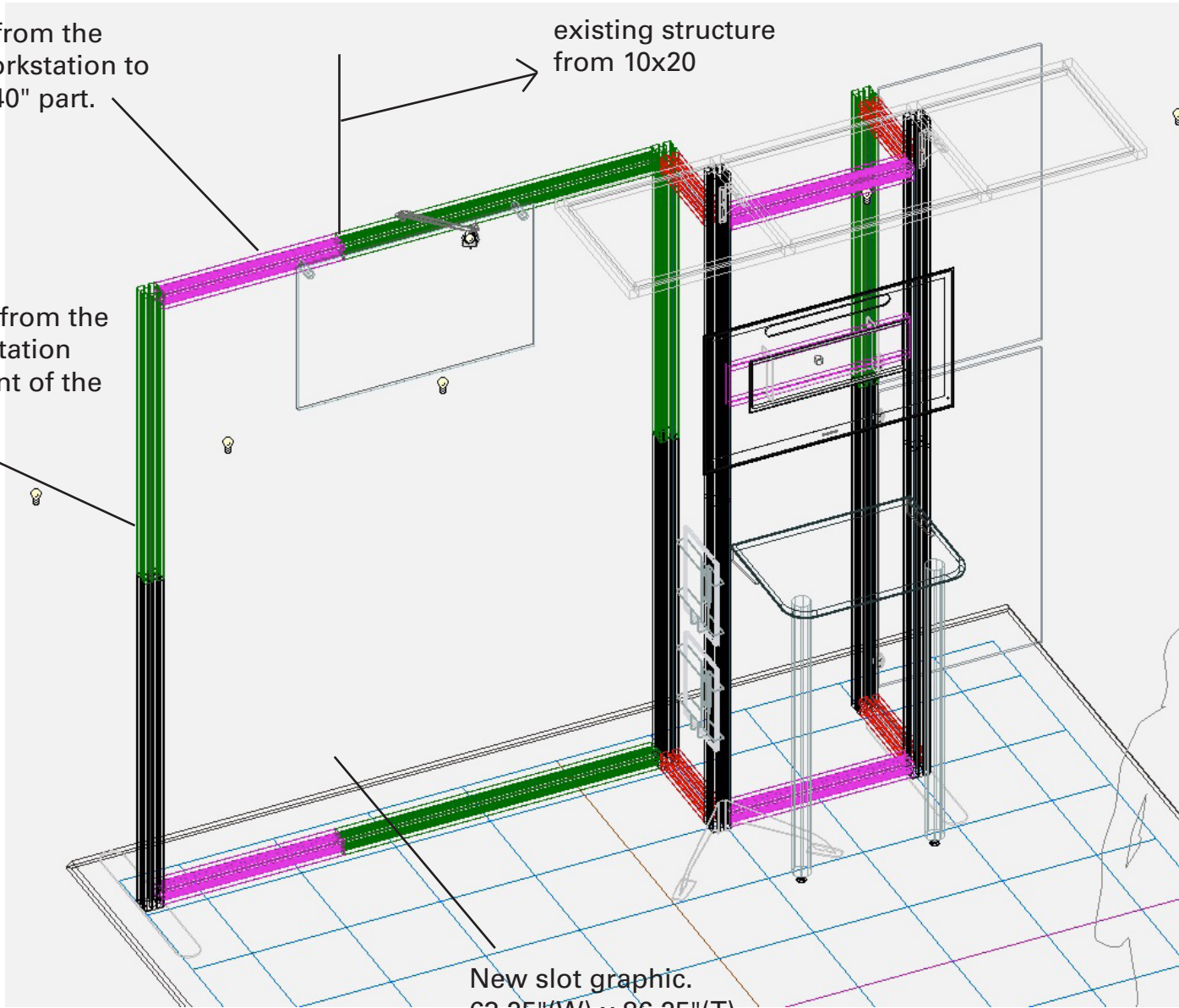
s.100000

Rep:

reuse 23" pieces from the 10x20 left side workstation to extend from the 40" part.

existing structure from 10x20

reuse vertical pieces from the 10x20 left side workstation to create the end point of the 10x10.



New slot graphic.
63.25"(W) x 86.25"(T)

SIZE KEY

- 11.25° CURVE
- 22.5° CURVE
- 45° CURVE
- CUBE
- 5.75" STRAIGHT
- 11.5" STRAIGHT
- 23" STRAIGHT
- 34.5" STRAIGHT
- 40.25" STRAIGHT
- 46" STRAIGHT
- 92" STRAIGHT

Password	Rev.	Manager	Estimator	Designer:
				04/ 25/ 2012 1:29 PM