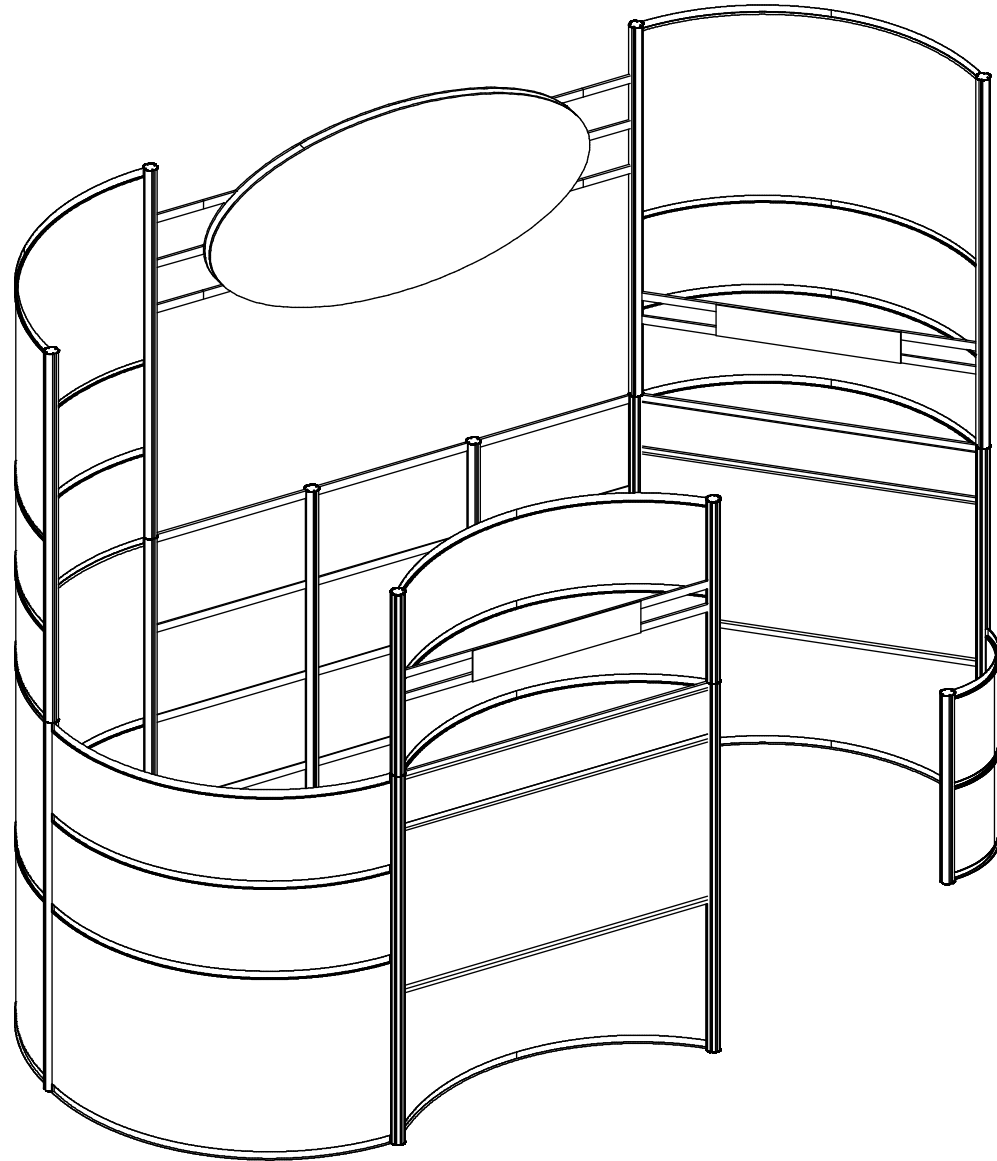


HYPERCEL CTIA 2012 BOOTH 1523

28715 Industry Dr. Valencia, CA 91355 Phone • 661-257-6020 Fax • 661-257-6022
The concept, design, drawings and documents shown or referred to herein are sole and exclusive property of Exhibit Pro and may not be used without expressed consent





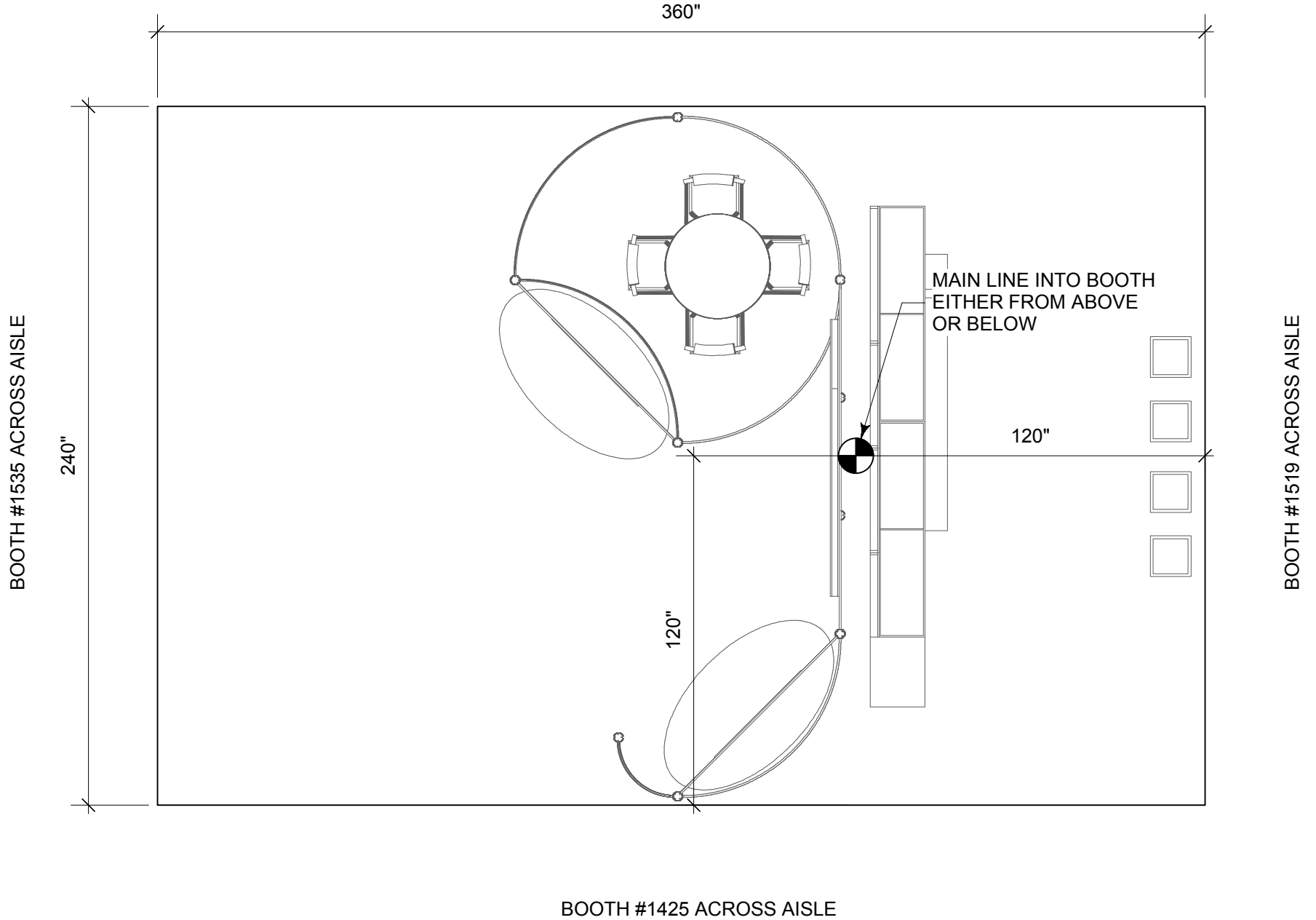
HYPERCEL CTIA 2012 BOOTH 1523

28715 Industry Dr. Valencia, CA 91355 Phone • 661-257-6020 Fax • 661-257-6022
The concept, design, drawings and documents shown or referred to herein are sole and exclusive property of Exhibit Pro and may not be used without expressed consent



BOOTH #1619 ACROSS AISLE

ELECTRICAL PLAN

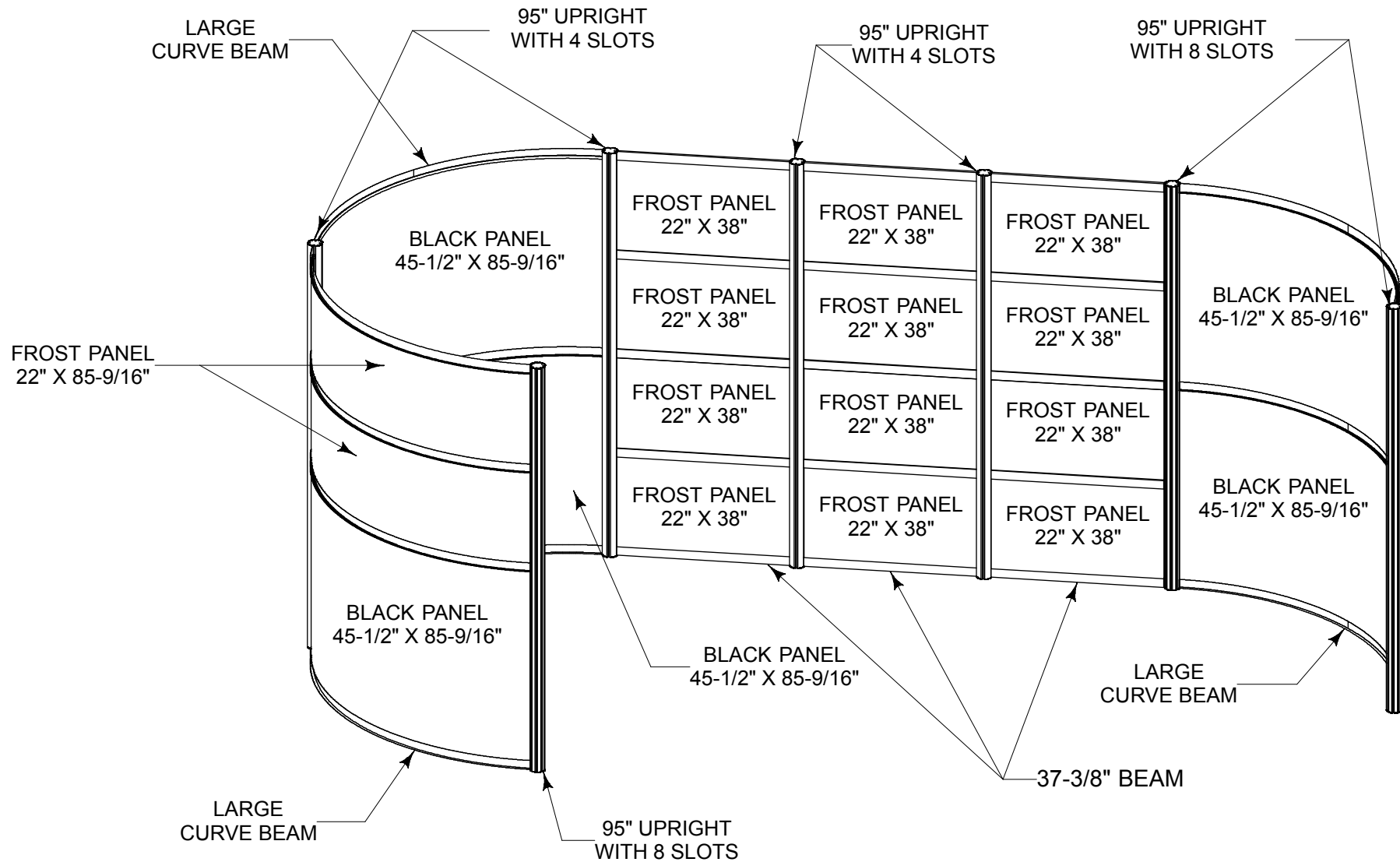


HYPERCEL CTIA 2012 BOOTH 1523

28715 Industry Dr. Valencia, CA 91355 Phone • 661-257-6020 Fax • 661-257-6022
The concept, design, drawings and documents shown or referred to herein are sole and exclusive property of Exhibit Pro and may not be used without expressed consent



STEP 1

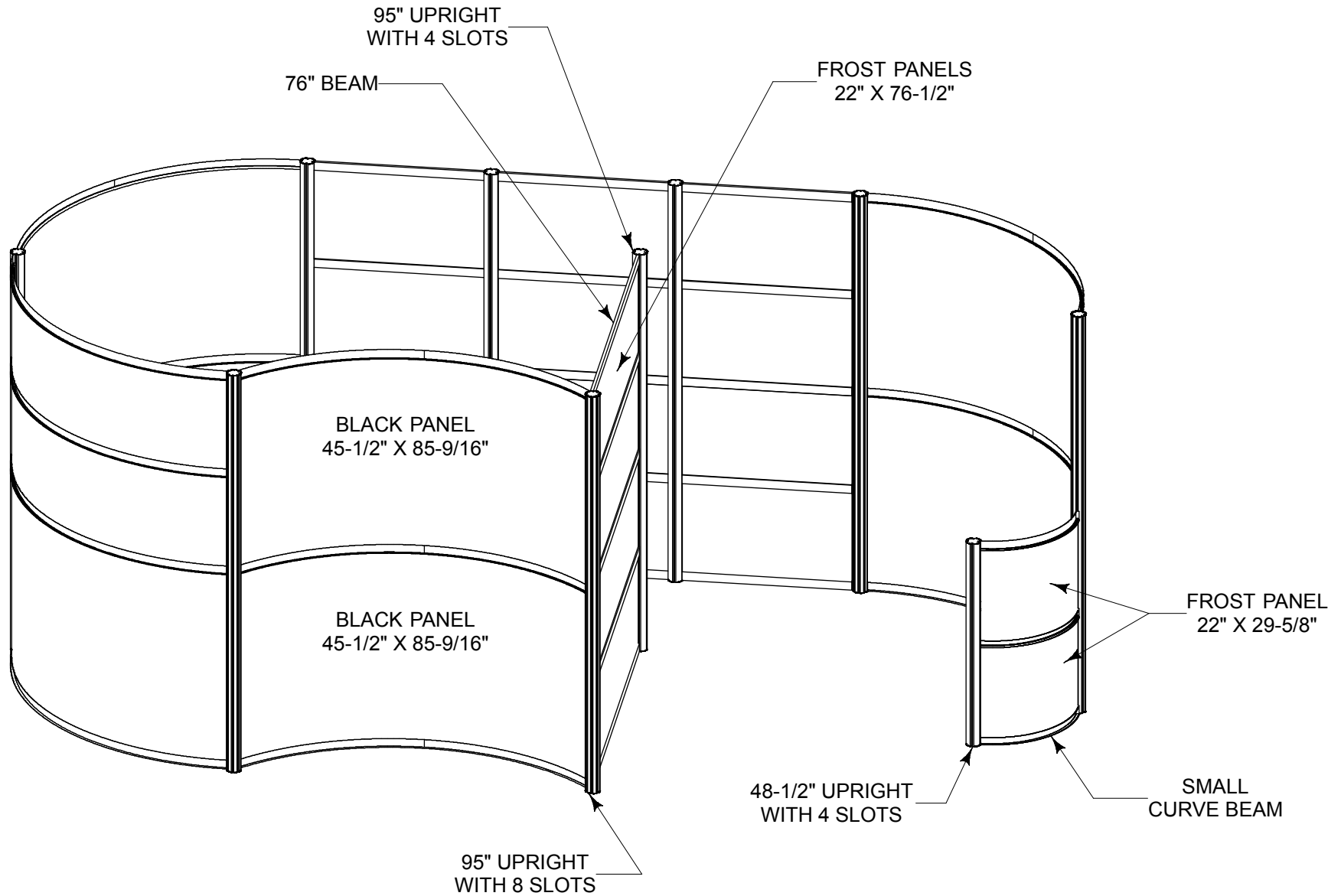


HYPERCEL CTIA 2012 BOOTH 1523

28715 Industry Dr. Valencia, CA 91355 Phone • 661-257-6020 Fax • 661-257-6022
The concept, design, drawings and documents shown or referred to herein are sole and exclusive property of Exhibit Pro and may not be used without expressed consent



STEP 2

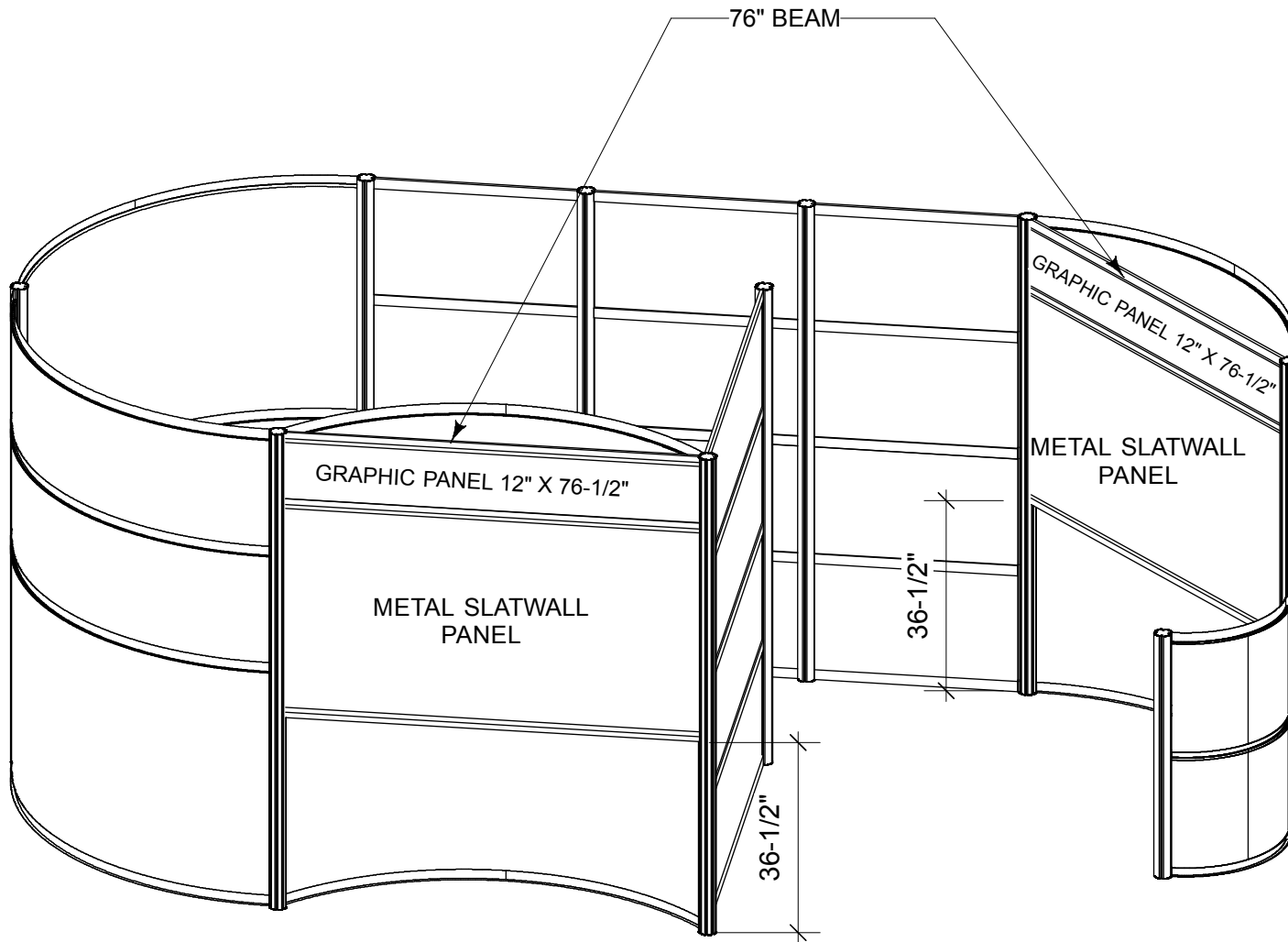


HYPERCEL CTIA 2012 BOOTH 1523

28715 Industry Dr. Valencia, CA 91355 Phone • 661-257-6020 Fax • 661-257-6022
The concept, design, drawings and documents shown or referred to herein are sole and exclusive property of Exhibit Pro and may not be used without expressed consent



STEP 3

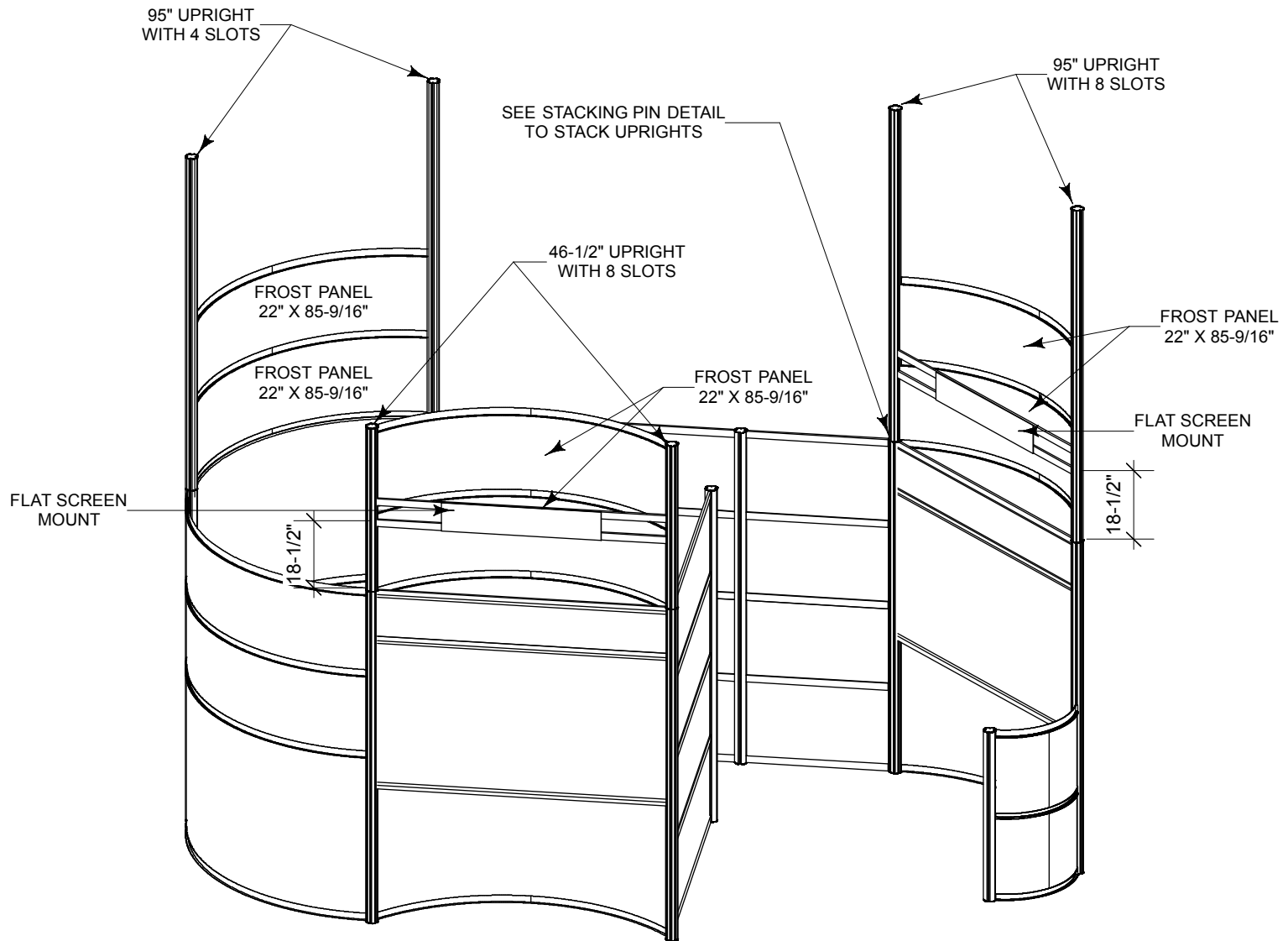


HYPERCEL CTIA 2012 BOOTH 1523

28715 Industry Dr. Valencia, CA 91355 Phone • 661-257-6020 Fax • 661-257-6022
The concept, design, drawings and documents shown or referred to herein are sole and exclusive property of Exhibit Pro and may not be used without expressed consent



STEP 4

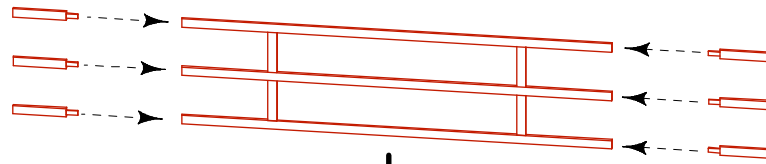


HYPERCEL CTIA 2012 BOOTH 1523

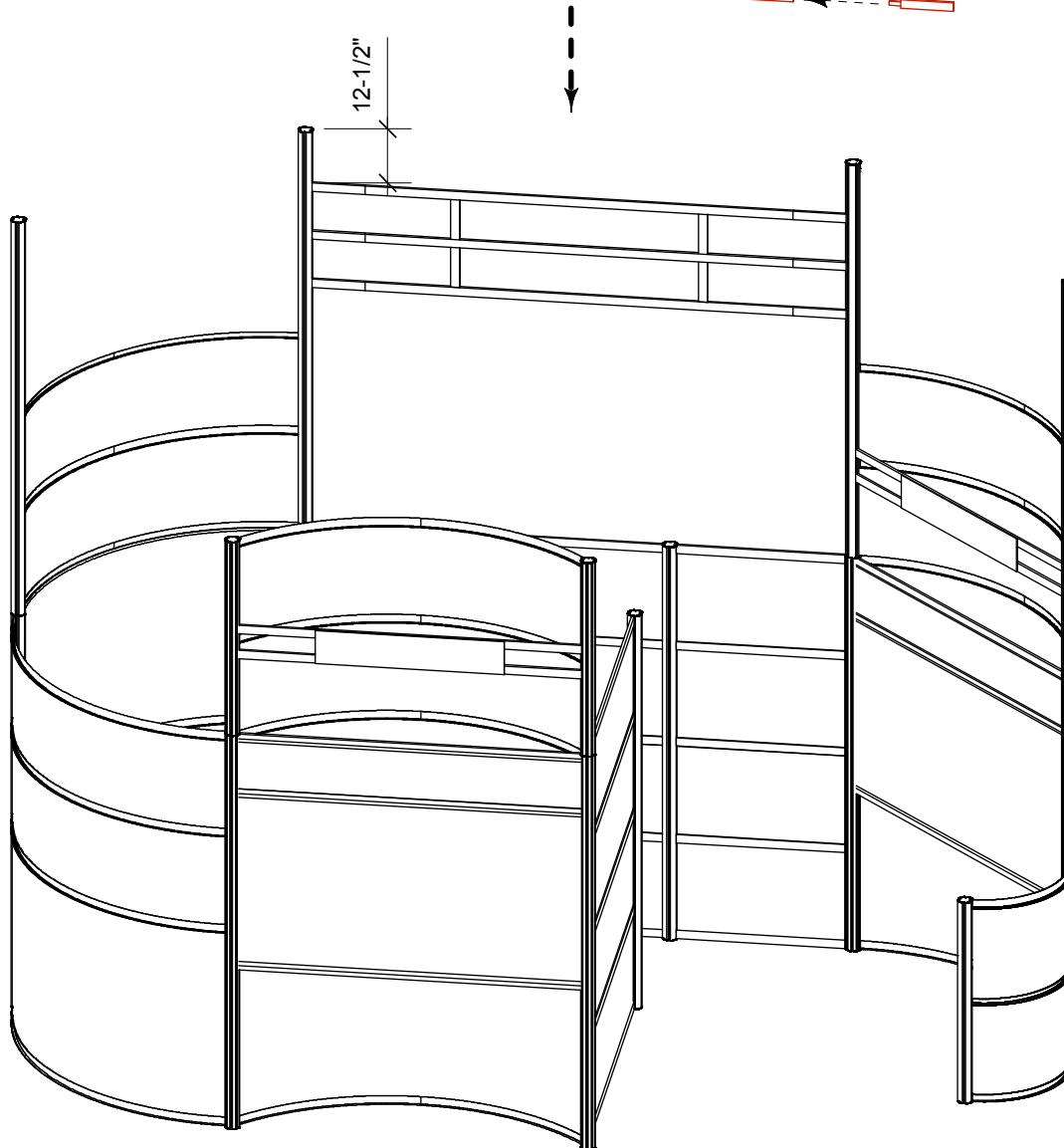
28715 Industry Dr. Valencia, CA 91355 Phone • 661-257-6020 Fax • 661-257-6022
The concept, design, drawings and documents shown or referred to herein are sole and exclusive property of Exhibit Pro and may not be used without expressed consent



STEP 5



INSTALL 11-3/4" EXTENSION BEAMS
INTO BEAMS ON BACK OF SIGN PANEL
SEE BEAM JOINER DETAIL



LIFT SIGN FRAME INTO PLACE AND LOCK
ALL 6 LOCK SECURILY AS SHOWN
12-1/2" DOWN FROM THE TOP

THIS WILL BE EASIER FROM THE BACK
SO THAT YOU HAVE ROOM FOR
YOUR LADDERS

HYPERCEL CTIA 2012 BOOTH 1523

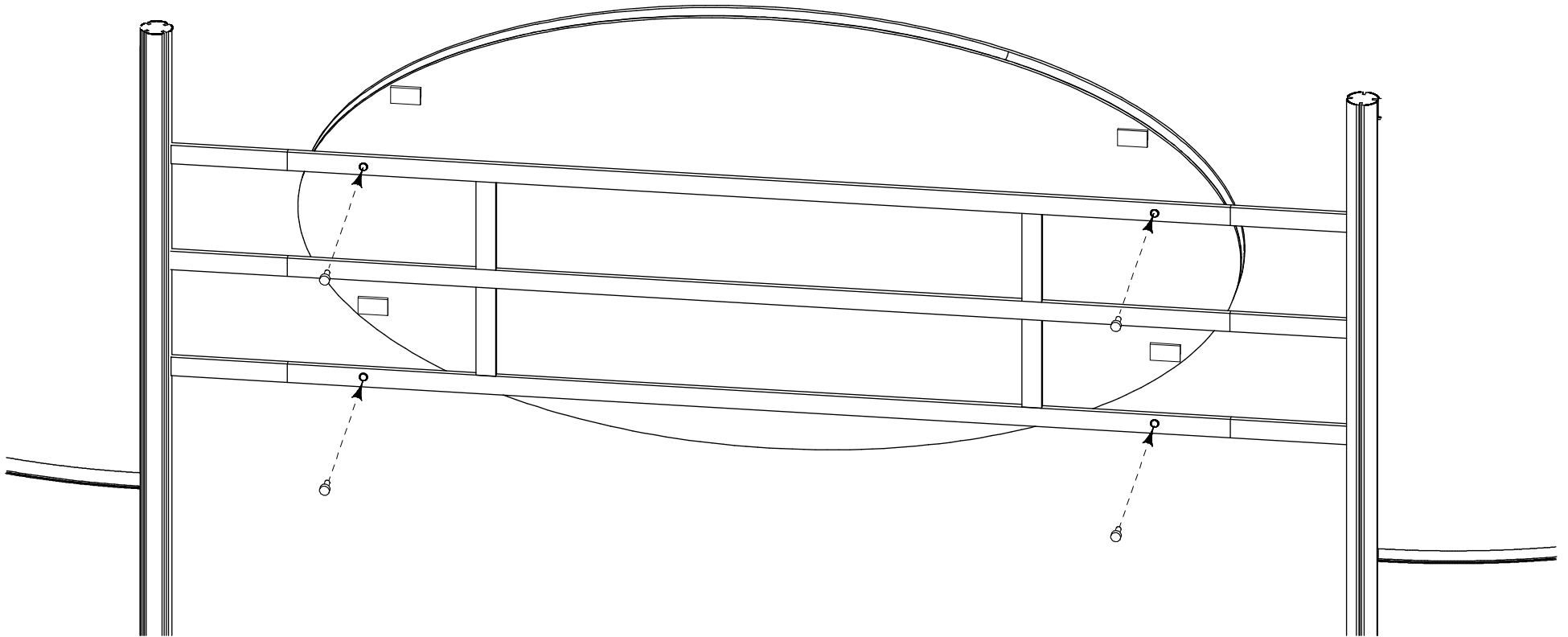
28715 Industry Dr. Valencia, CA 91355 Phone • 661-257-6020 Fax • 661-257-6022
The concept, design, drawings and documents shown or referred to herein are sole and exclusive property of Exhibit Pro and may not be used without expressed consent



STEP 6

LIFT SIGN PANEL INTO PLACE AND HANG CLEATS
ONTO SIGN PANEL FRAME

BOLT SIGN PANEL TO SIGN PANEL FRAME AS SHOWN
WITH PROVIDED BOLT

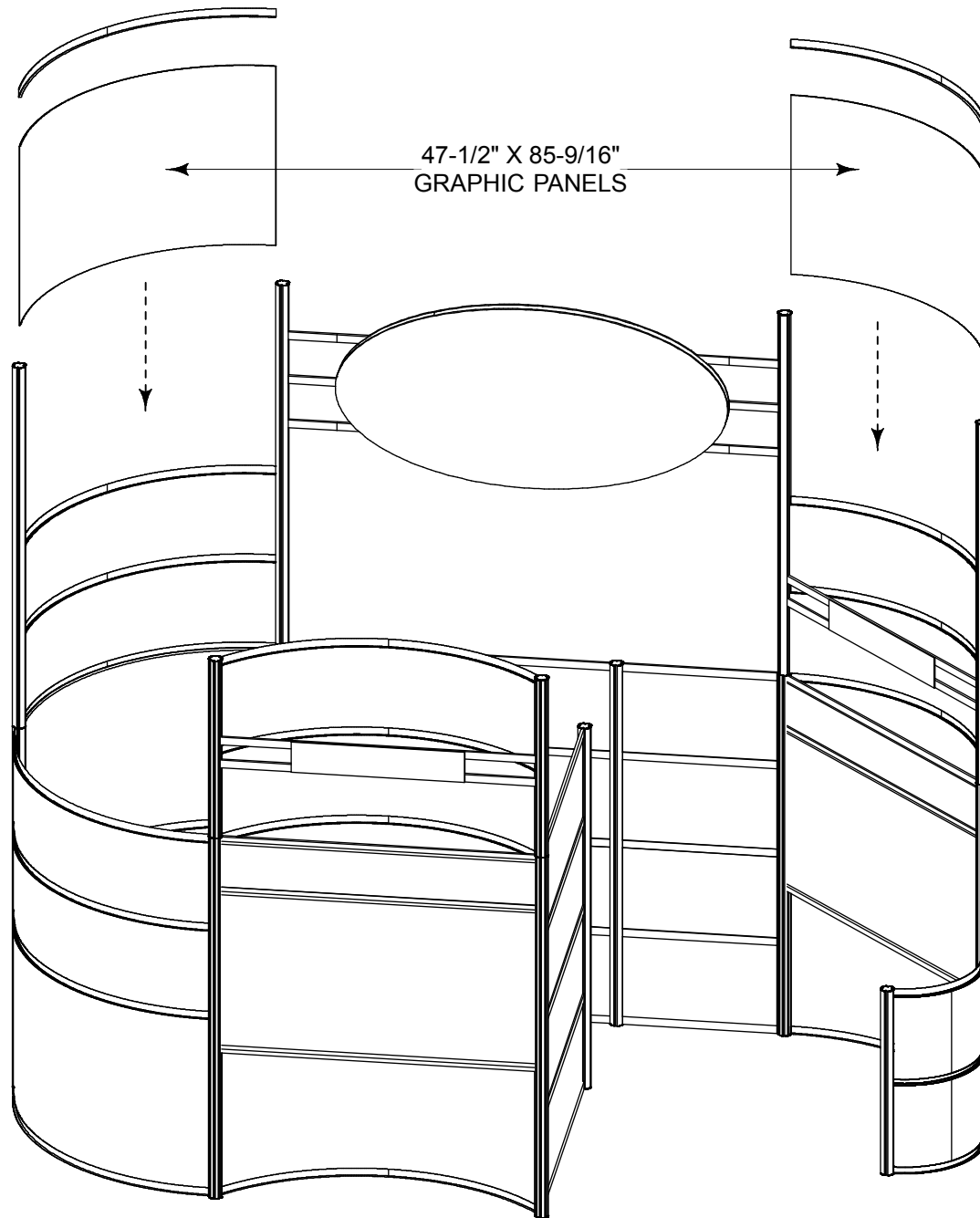


HYPERCEL CTIA 2012 BOOTH 1523

28715 Industry Dr. Valencia, CA 91355 Phone • 661-257-6020 Fax • 661-257-6022
The concept, design, drawings and documents shown or referred to herein are sole and exclusive property of Exhibit Pro and may not be used without expressed consent



STEP 7

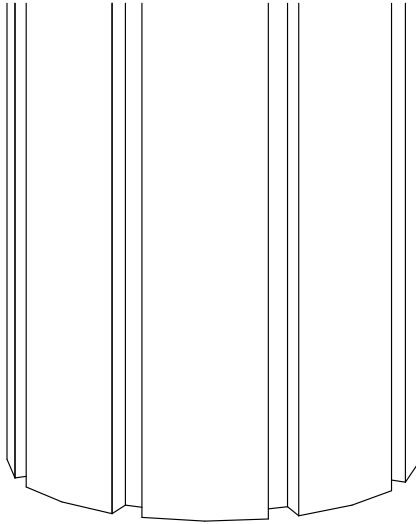


HYPERCEL CTIA 2012 BOOTH 1523

28715 Industry Dr. Valencia, CA 91355 Phone • 661-257-6020 Fax • 661-257-6022
The concept, design, drawings and documents shown or referred to herein are sole and exclusive property of Exhibit Pro and may not be used without expressed consent



UPRIGHT CONNECTOR DETAIL

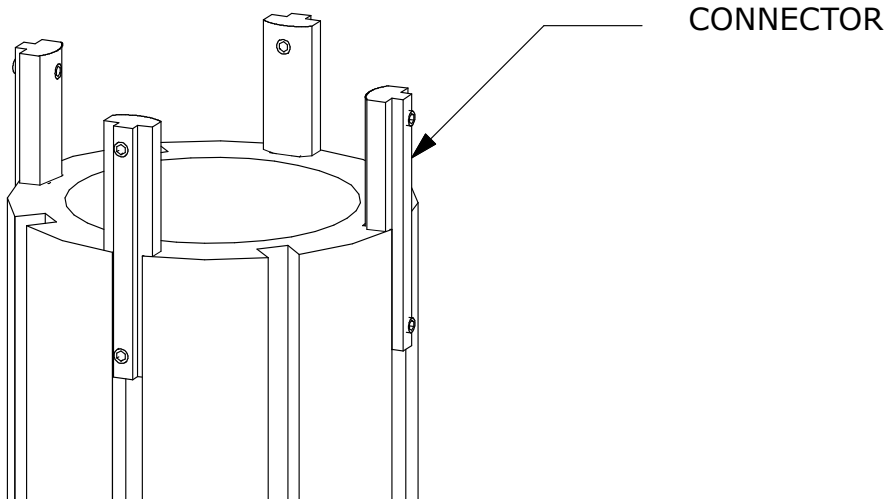


UPRIGHTS ARE STACKED USING CONNECTORS AS SHOWN.

USE A MINIMUM OF THREE (3) FOR EACH JOINT.

STUDY FLOOR PLAN CAREFULLY BEFORE YOU INSTALL CONNECTORS.

DO NOT INSTALL A CONNECTOR IN A CHANNEL THAT WILL BE OCCUPIED BY A BEAM OR A PANEL

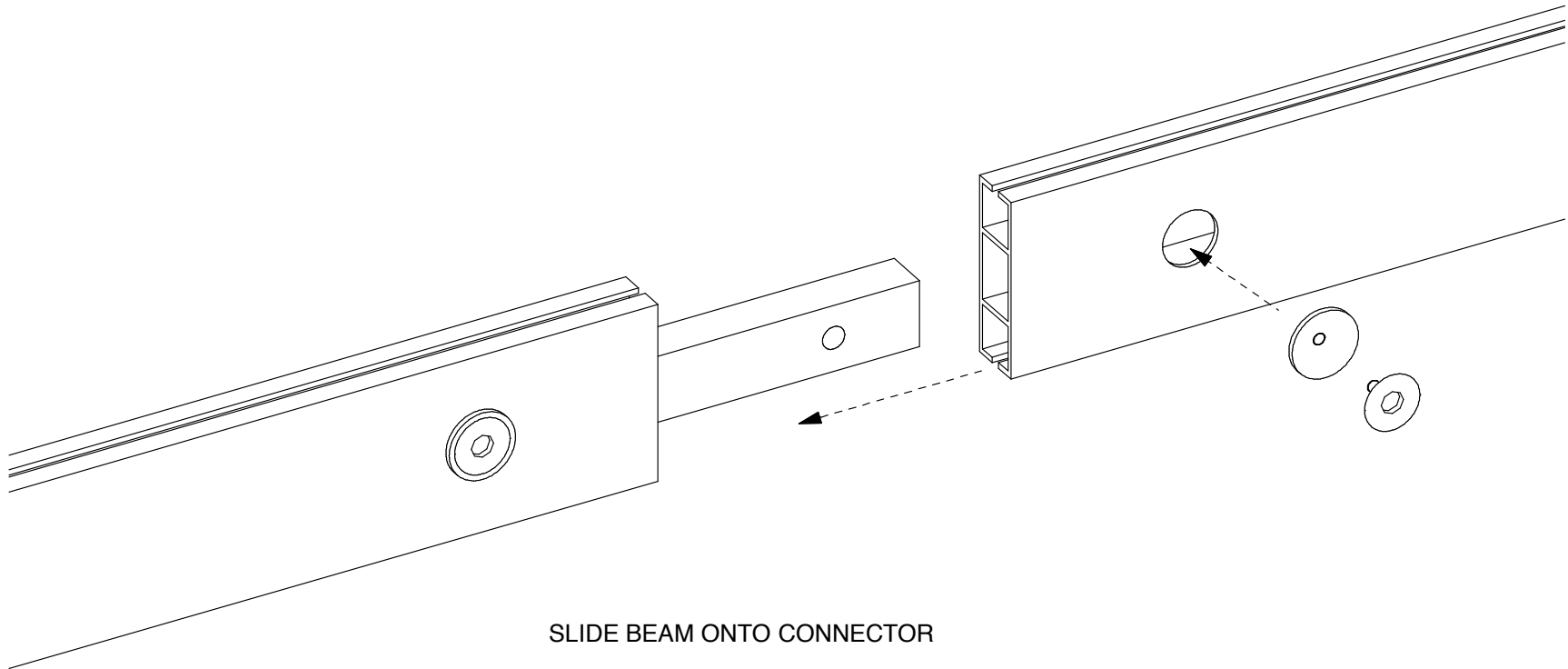


HYPERCEL CTIA 2012 BOOTH 1523

28715 Industry Dr. Valencia, CA 91355 Phone • 661-257-6020 Fax • 661-257-6022
The concept, design, drawings and documents shown or referred to herein are sole and exclusive property of Exhibit Pro and may not be used without expressed consent



BEAM JOINER DETAIL



SLIDE BEAM ONTO CONNECTOR

INSTALL WASHER AND SCREW

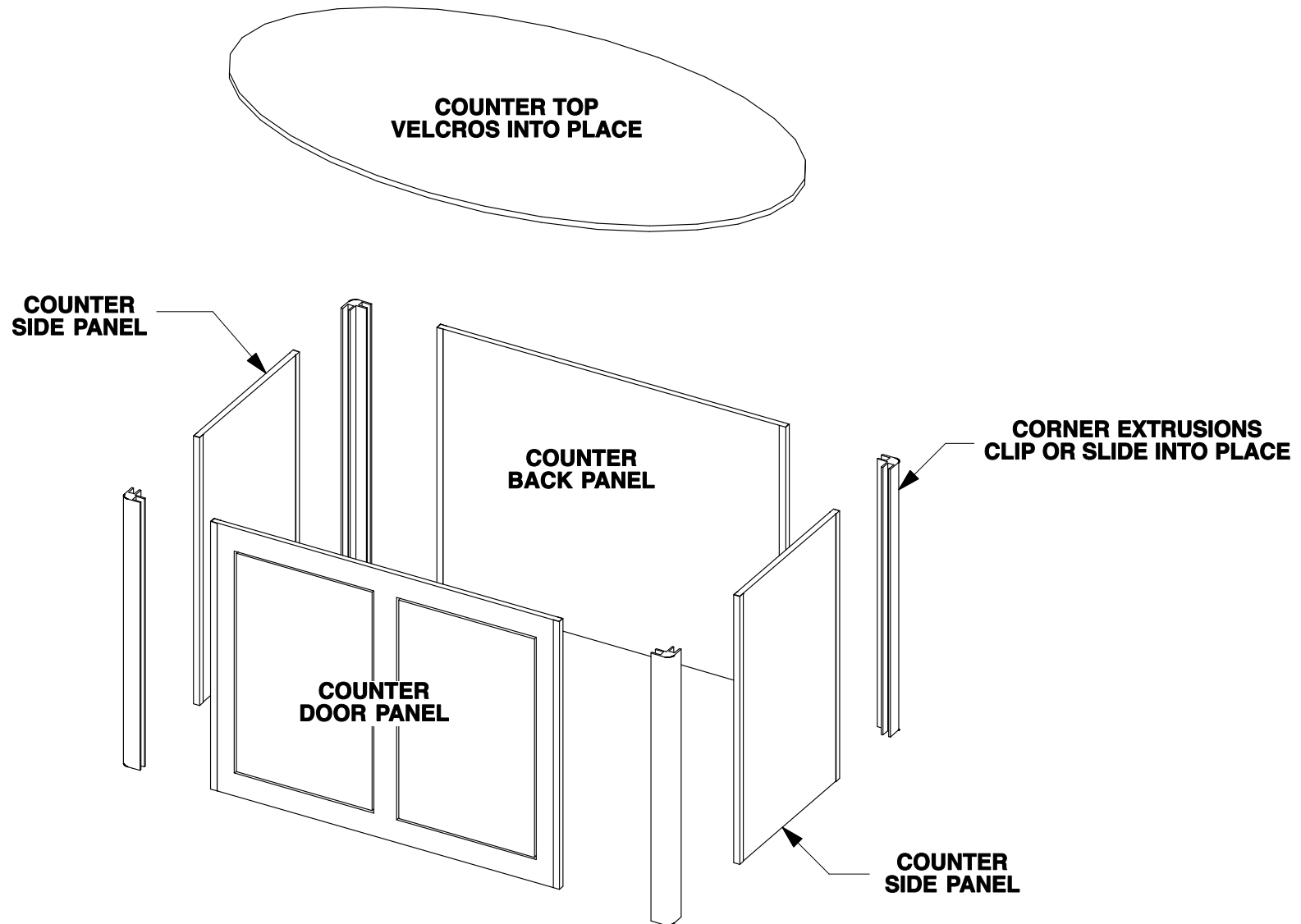
MAKE SURE THAT WASHER IS SEATED IN HOLE

HYPERCEL CTIA 2012 BOOTH 1523

28715 Industry Dr. Valencia, CA 91355 Phone • 661-257-6020 Fax • 661-257-6022
The concept, design, drawings and documents shown or referred to herein are sole and exclusive property of Exhibit Pro and may not be used without expressed consent



COUNTER ASSEMBLY

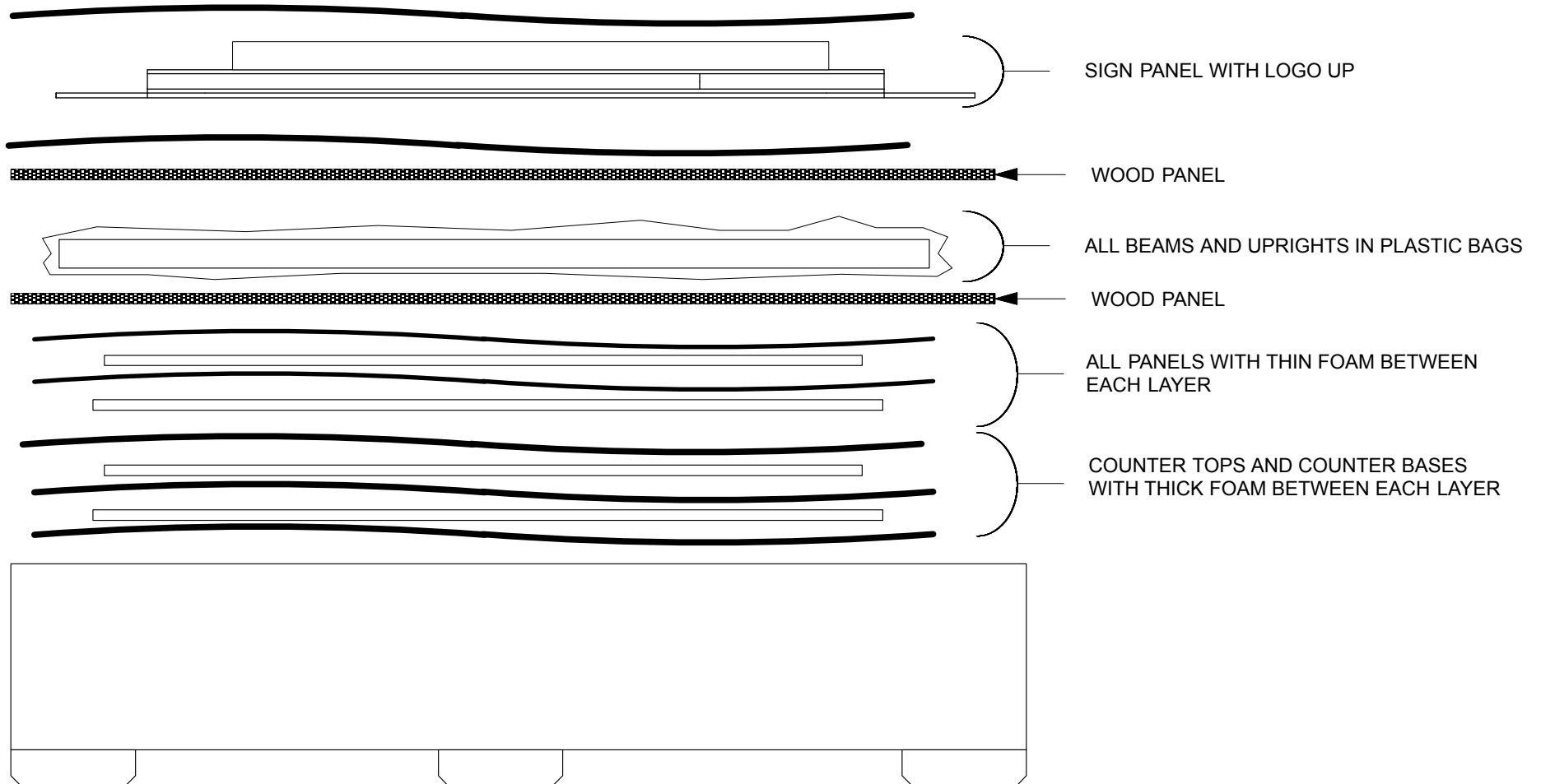


HYPERCEL CTIA 2012 BOOTH 1523

28715 Industry Dr. Valencia, CA 91355 Phone • 661-257-6020 Fax • 661-257-6022
The concept, design, drawings and documents shown or referred to herein are sole and exclusive property of Exhibit Pro and may not be used without expressed consent



CRATE PACKING



HYPERCEL CTIA 2012 BOOTH 1523

28715 Industry Dr. Valencia, CA 91355 Phone • 661-257-6020 Fax • 661-257-6022
The concept, design, drawings and documents shown or referred to herein are sole and exclusive property of Exhibit Pro and may not be used without expressed consent

