



Parts List

Set Up Instructions

Graphic Layout



Exhibit Render Showing Graphic Placement for Boston Show. **USE THIS TO REFERNECE WHAT GRAPHICS GO WHERE**



Exhibit Render Showing Graphic Placement for Boston Show. **USE THIS TO REFERNECE WHAT GRAPHICS GO WHERE**



Exhibit Render Showing Graphic Placement for Boston Show. **USE THIS TO REFERNECE WHAT GRAPHICS GO WHERE**

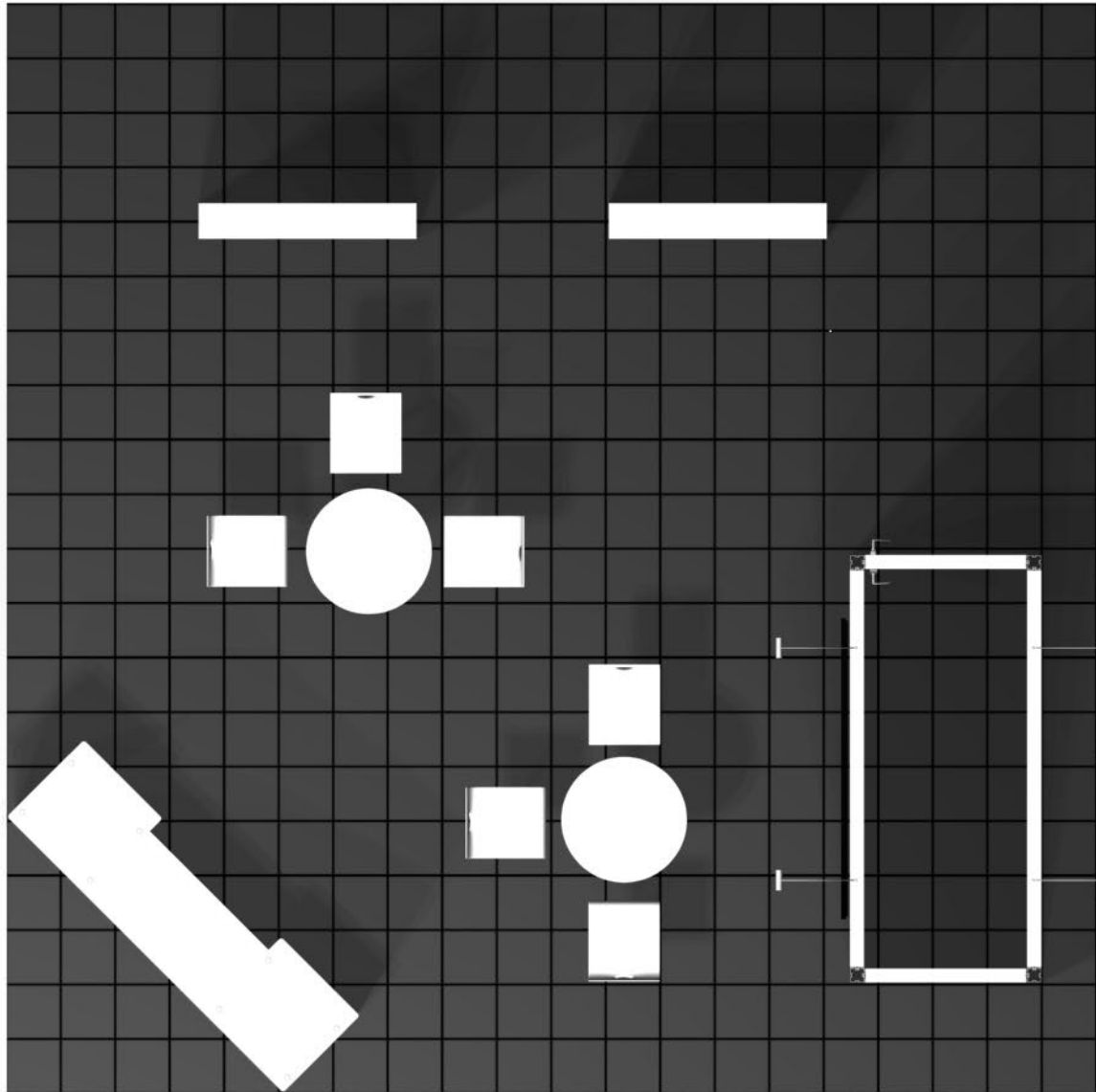


Exhibit Render Showing Graphic Placement for Boston Show. **USE THIS TO REFERNECE WHAT GRAPHICS GO WHERE**



Exhibit Render Showing Graphic Placement for Boston Show. **USE THIS TO REFERNECE WHAT GRAPHICS GO WHERE**





### Double Sided Light Box Graphics

These are to be cool steamed from the back. Use Cool steam and do not steam the front of the graphic.



Lightbox Graphic

Backlit graphic on back of tower. The light blanket faces back side of tower.



### Double Sided Light Box Graphics

These are to be cool steamed from the back. Use Cool steam and do not steam the front of the graphic.



## Parts List

A.) x1 - Door

B.) x1 - Bottom Side

C.) x4 - Crossbars

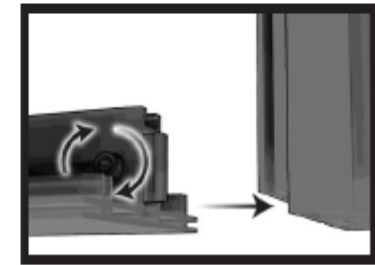
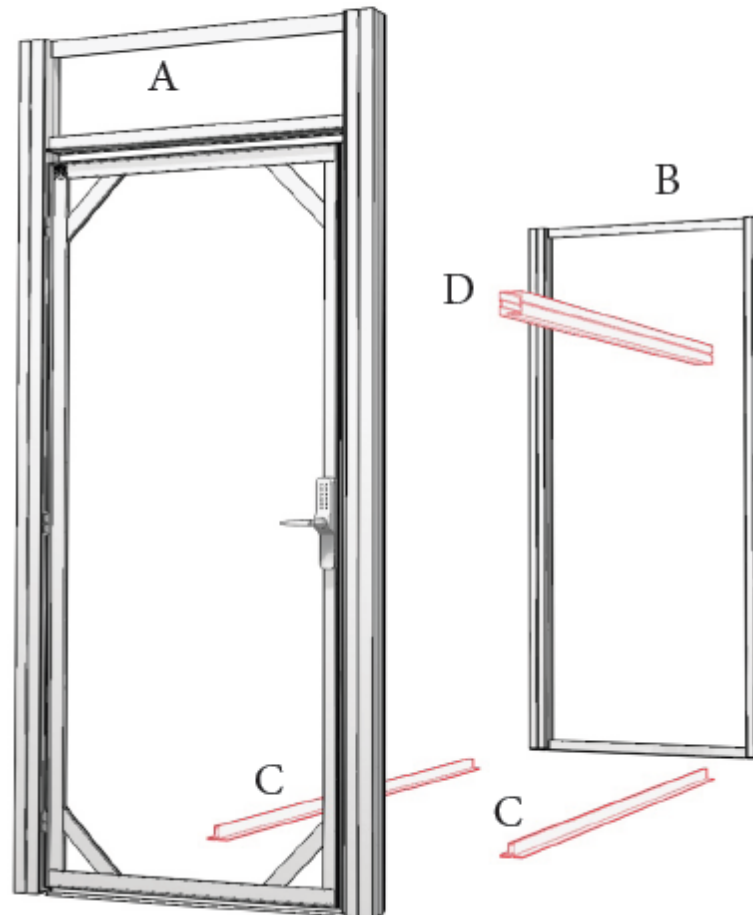
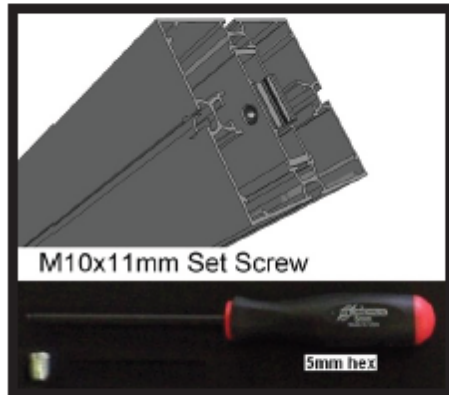
D.) x1 - Monitor Support Bars

E.) x1 - Above Door Side

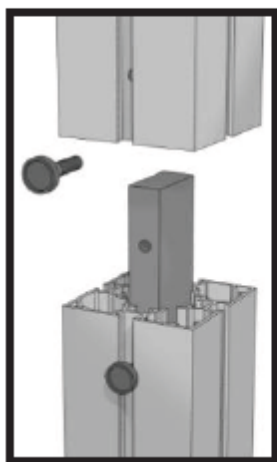
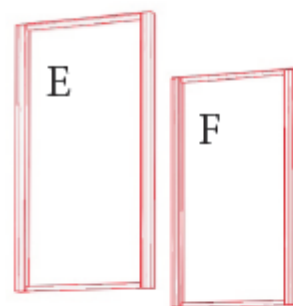
F.) x1 - Top Side

G.) x4 - Stem Lights

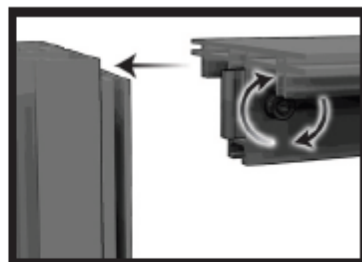
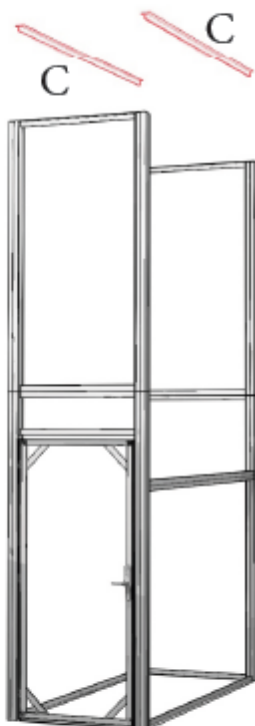
**Step 1.** Attach door to bottom side using x2 bottom crossbars; attach monitor support bars.



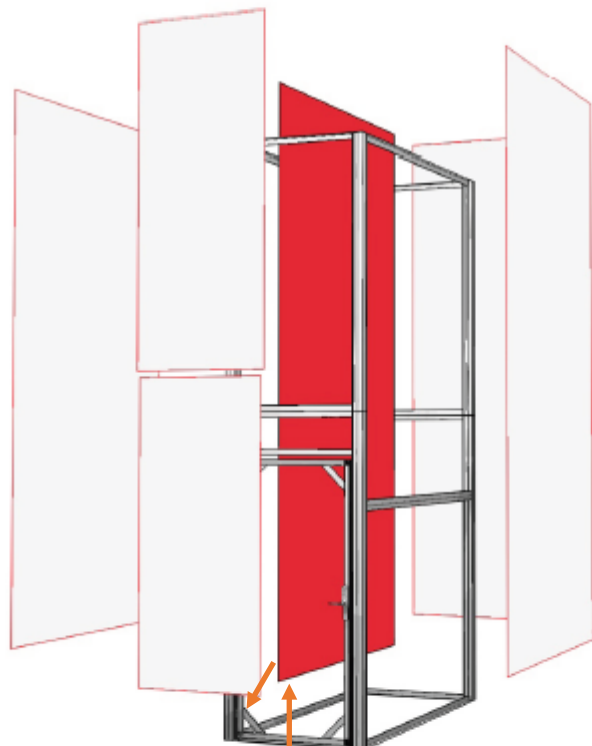
**Step 2.** Attach top frames to bottom.



**Step 3.** Attach top crossbars.



**Step 4.** Attach graphics, and light blanket (RED).



Light Blanket is SEG and attaches to frame just like a SEG graphic.

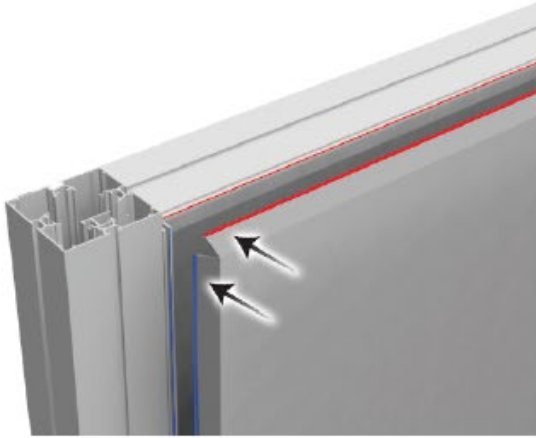
**Step 5.** Attach lights.



**COMPLETE**



# Silicon edge graphic installation



**\*\*Fold graphic over silicon\*\***



**\*\*Work out from corners\*\***



***It is best to push the corners in first***



### Step 1:

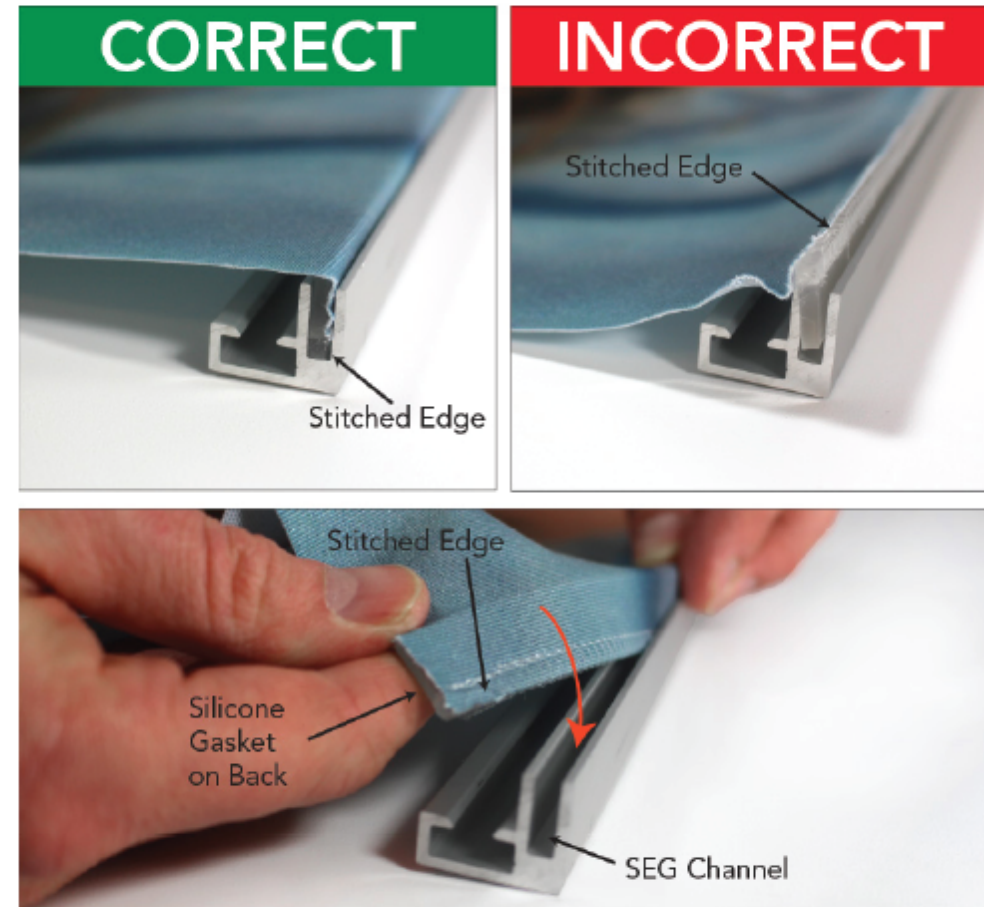
Start in corners and insert 8" to 10" of cover with SEG gasket into corner grooves of the frame.

### Step 2:

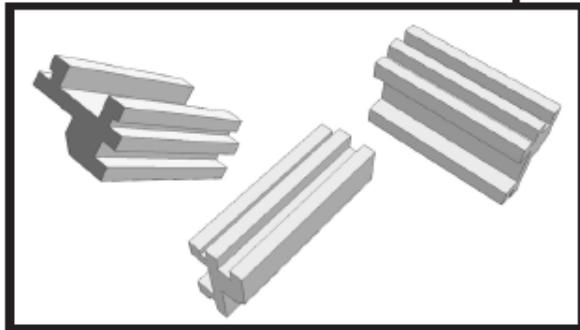
Insert middles of each side into the groove and continue in an outward direction.

If SEG needs adjusting:

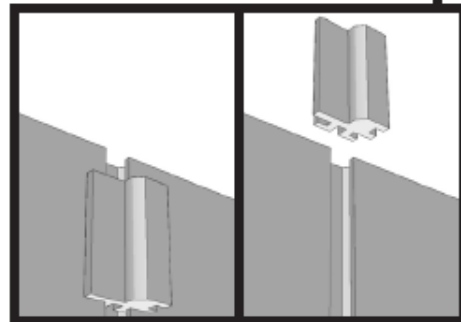
- If there is bunching it can be worked in by pushing/pulling the gasket towards the corners.
- If the gasket seems to long:
  - 1st, make sure gasket is completely flush in opposite corner
  - 2nd, it can be worked in by pushing/pulling the gasket towards the opposite end.



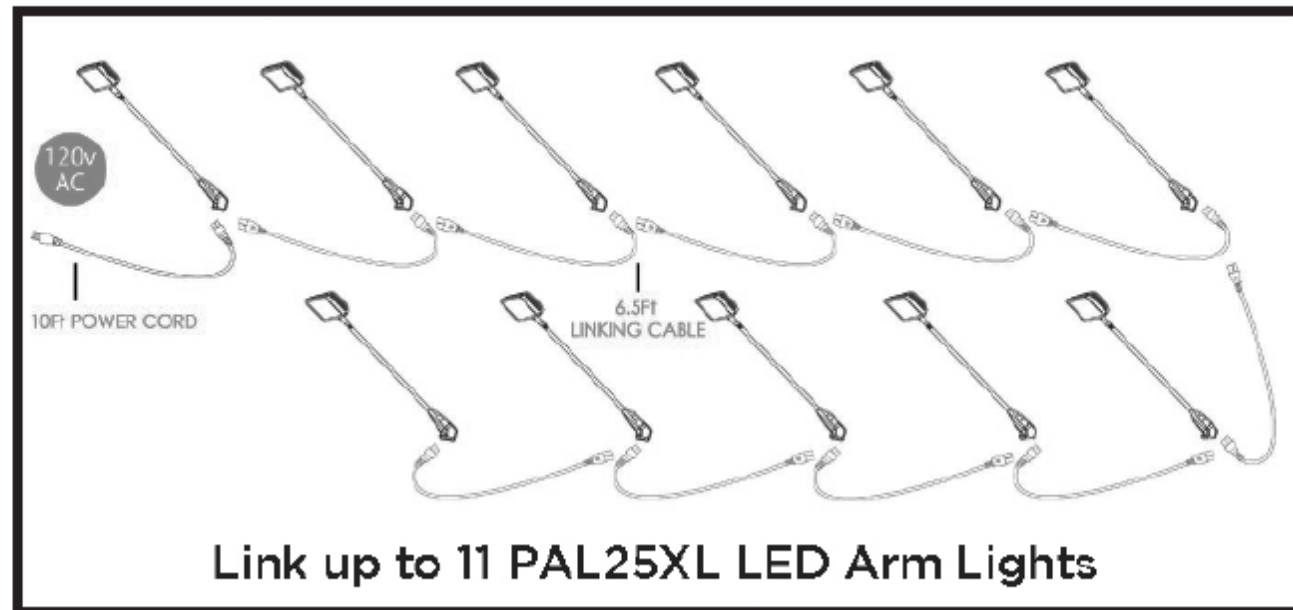
Step 1. Attach clip; slide light into channel.



No External Power Supply



**Step 2.** Connect light to light.



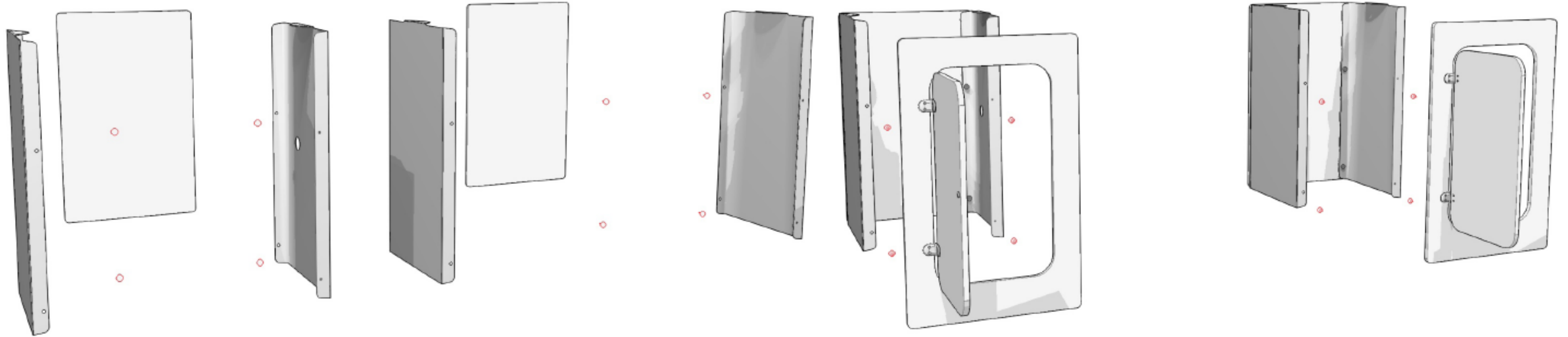


**Backlit Reception Counter**

# Xrline

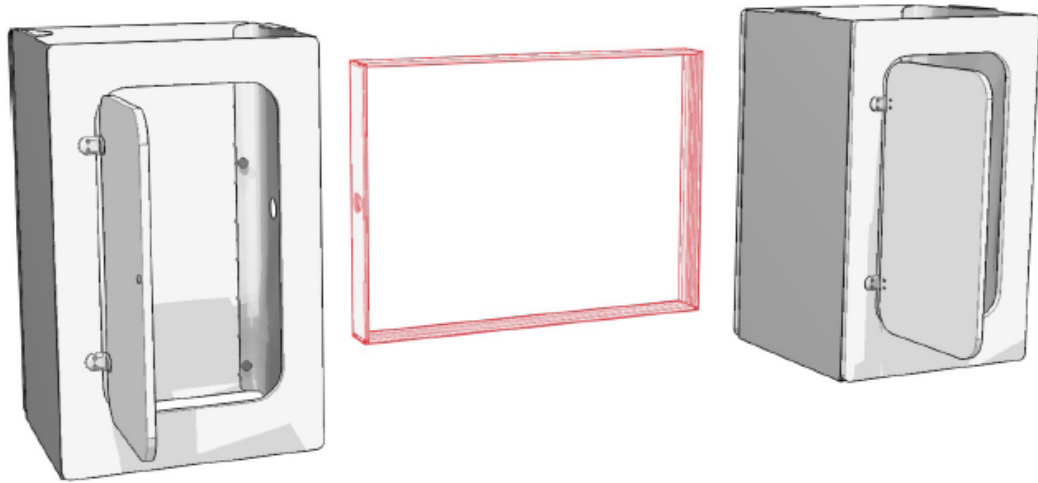
**Step 1.** Attach sides to fronts using x4 short knobs each.

**Step 2.** Attach doors to sides using x4 short knobs each.



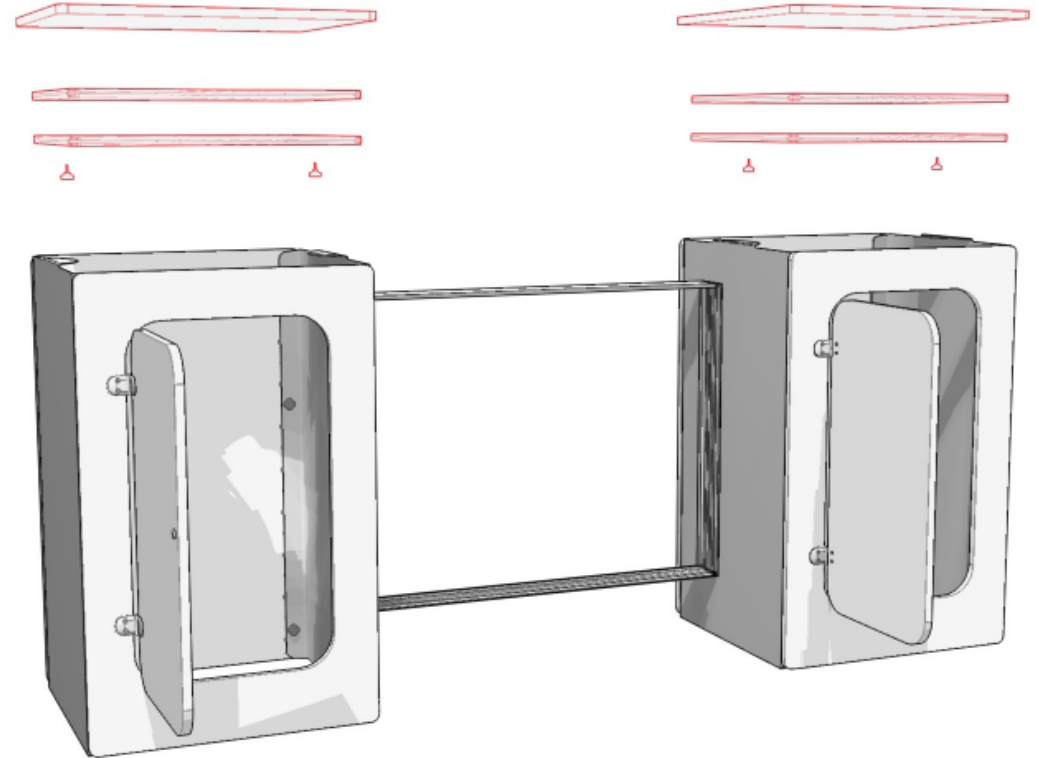
Thumb Screws

## Step 3. Align holes; attach lightbox.

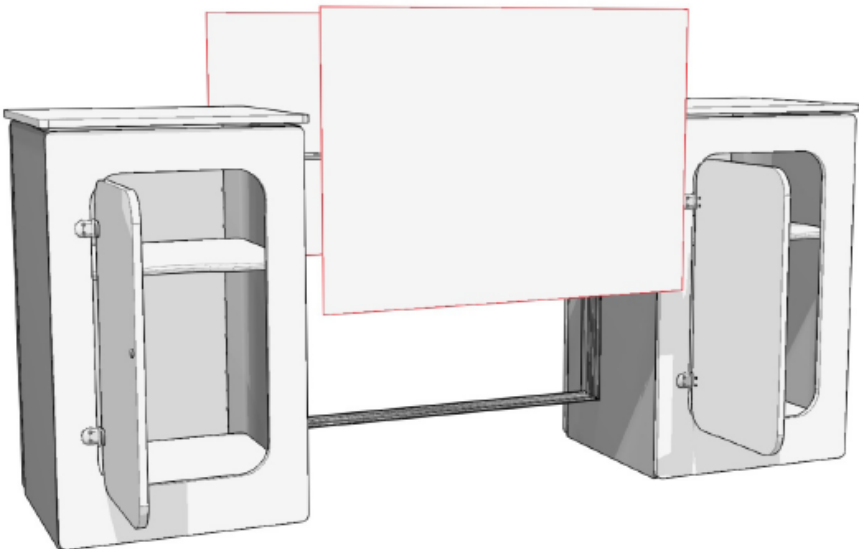


Thumb Screws

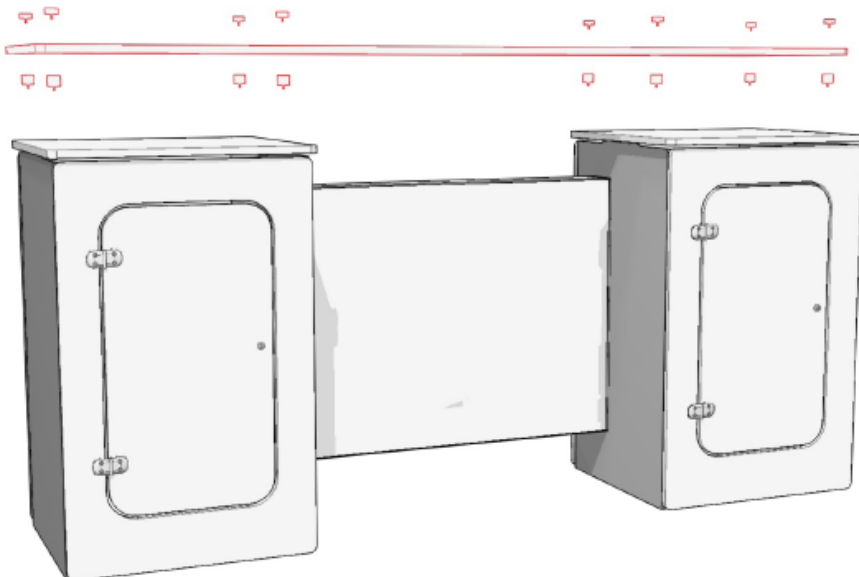
## Step 4. Drop in shelves; attach tops.



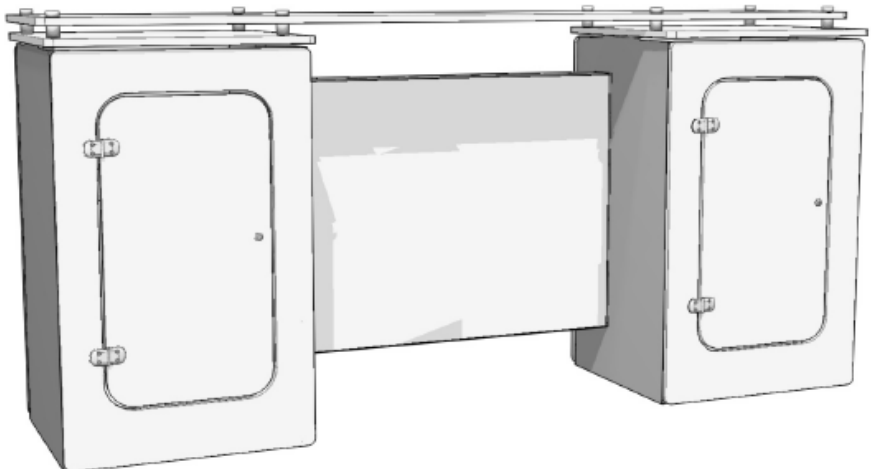
**Step 5.** Attach graphics.



**Step 6.** Attach standoffs & plex top.



**COMPLETE**



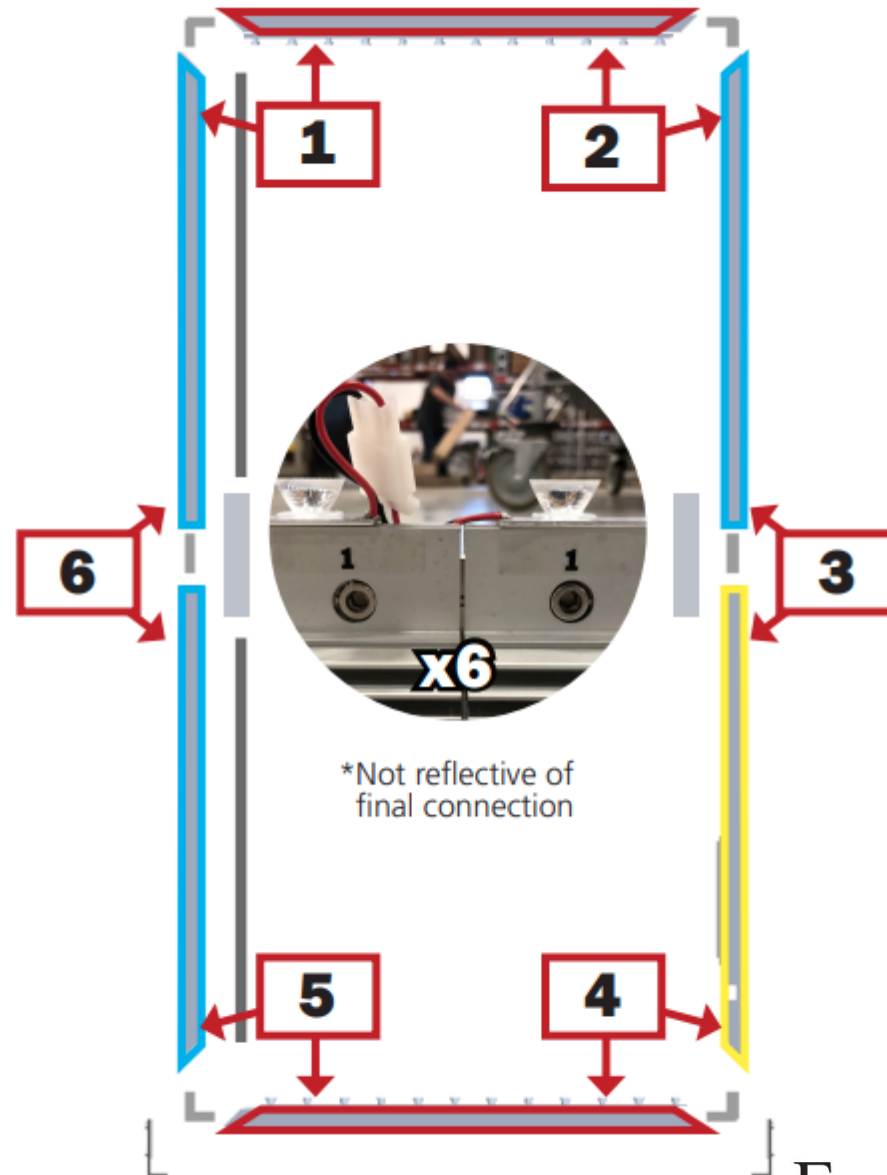
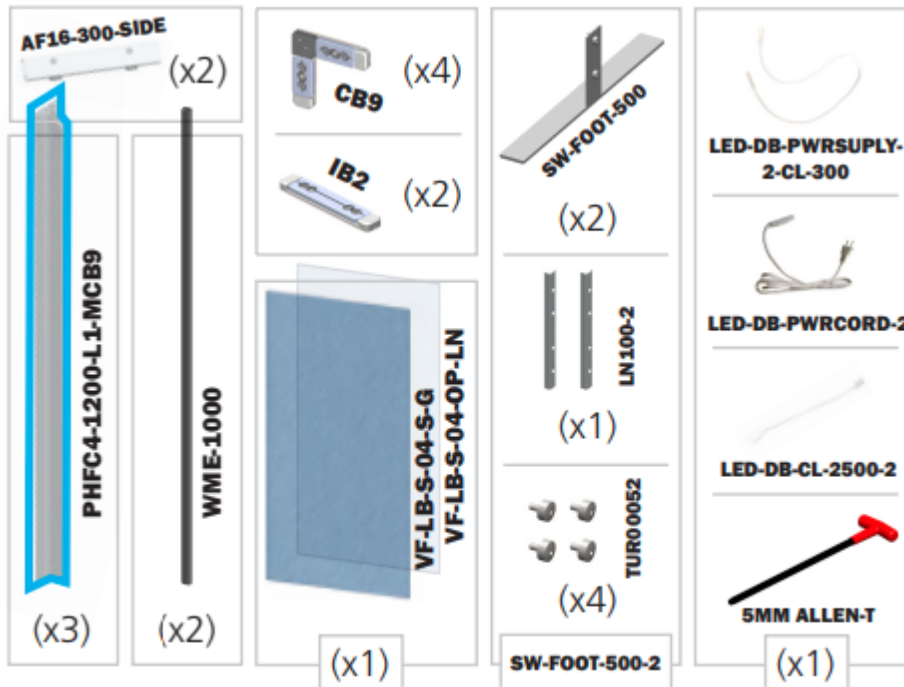
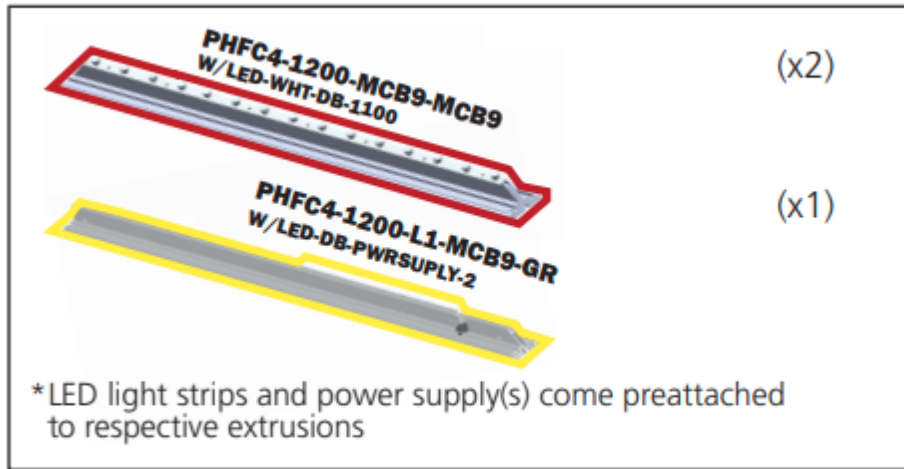
 Thumb Screws



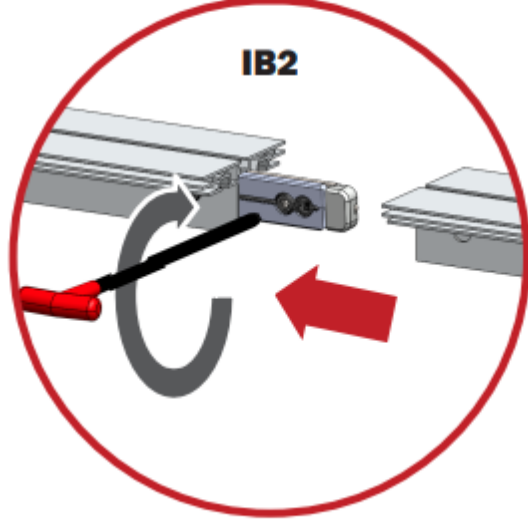
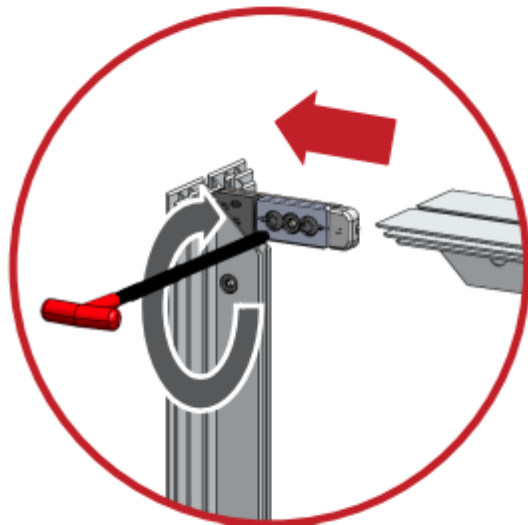
## Double Sided Light Boxes

These are to be cool steamed from the back. Use Cool steam and do not steam the front of the graphic. You can place one graphic on the frame and steam from back, then switch out; or put them on the floor and steam from the back then apply to light boxes to help stretch the wrinkles out. Please make sure to install the seg in the corners first, then come to the middle of the horizontal and vertical bars and push in SEG, then work from center out to corners.

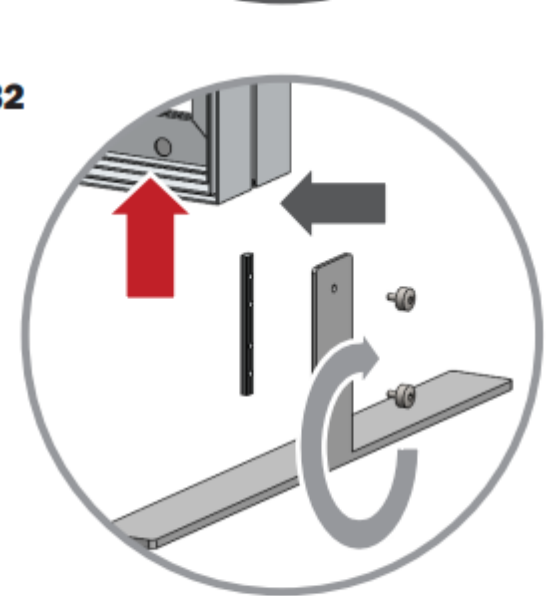
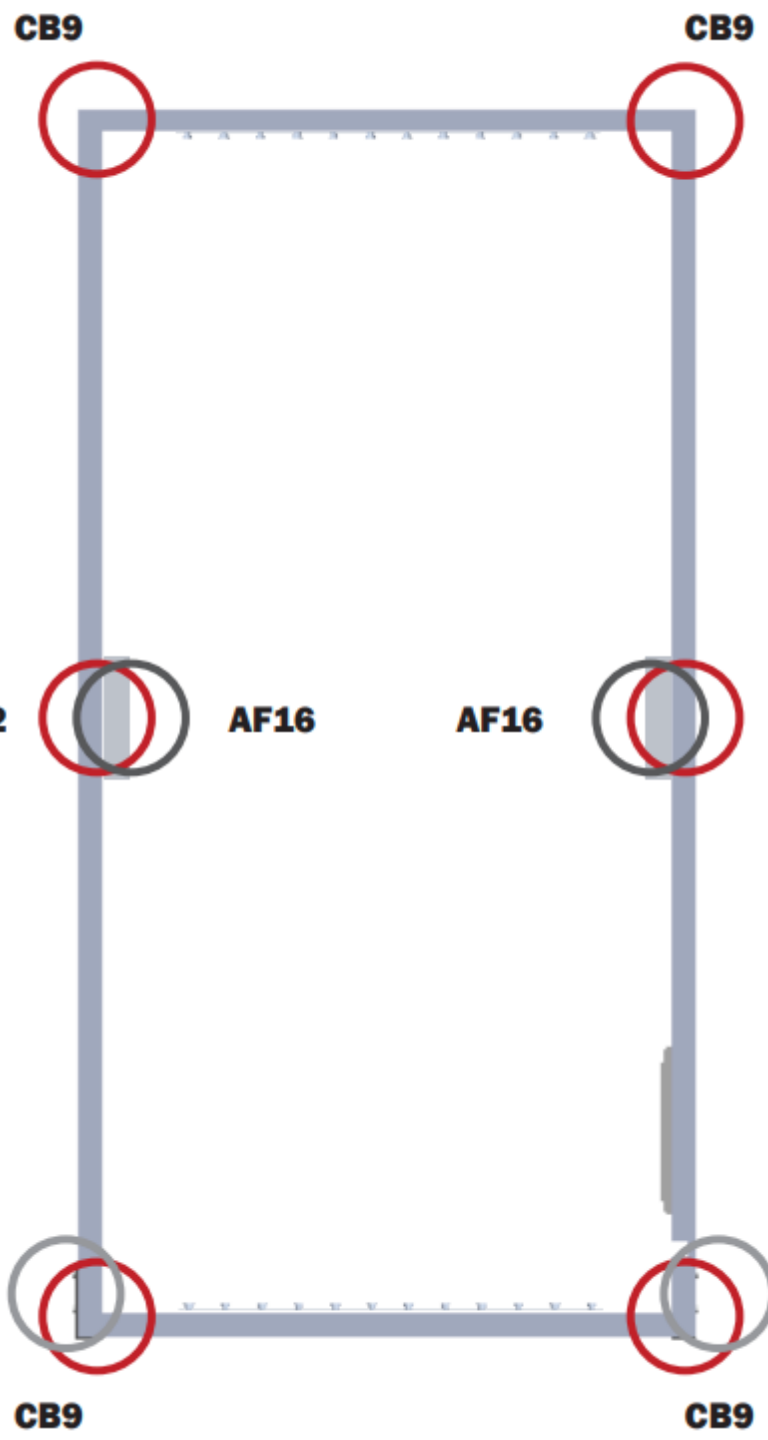
\*Not to scale

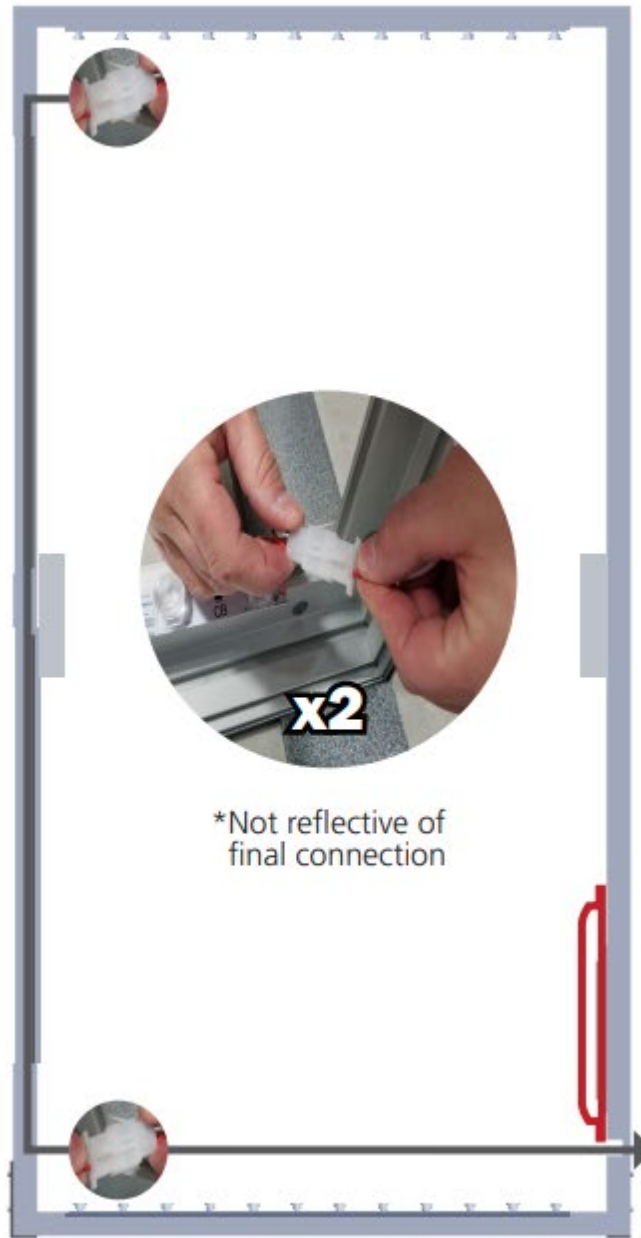
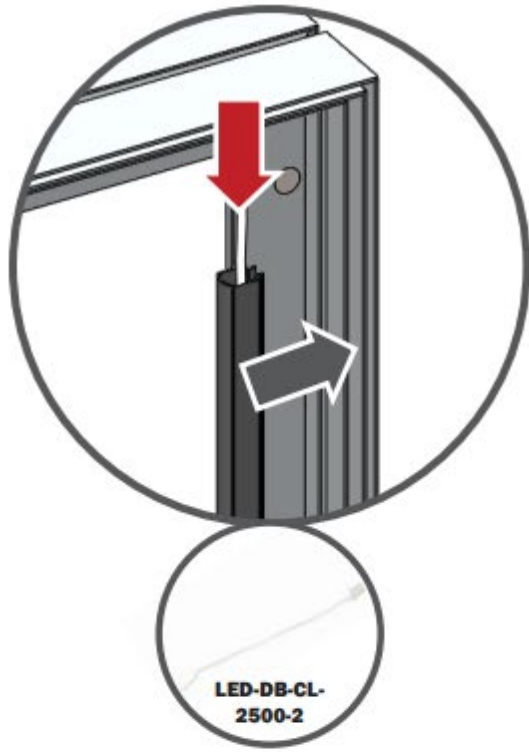


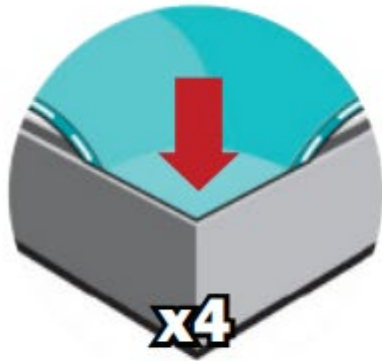
Back View



\*CB9 & IB2 connection are consistent



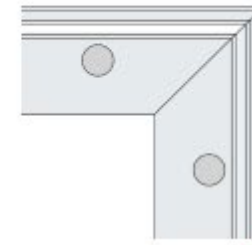
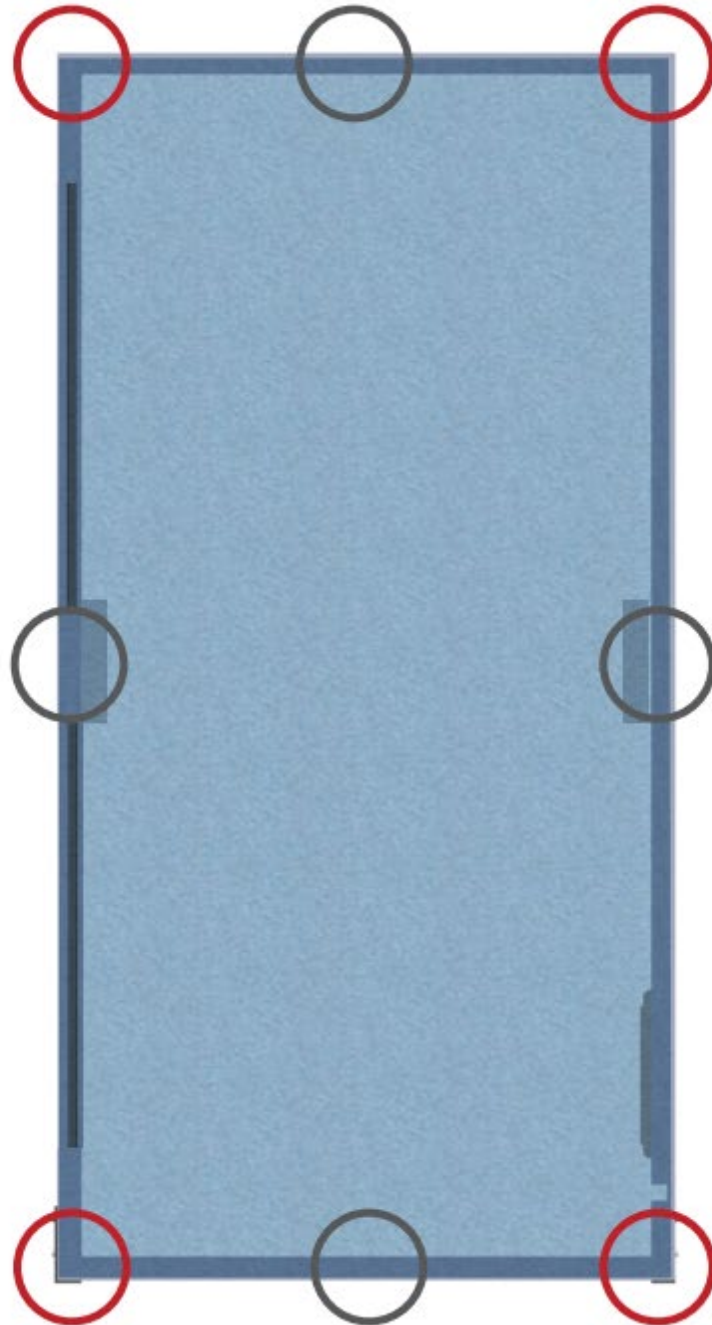




Fit graphic into corners,  
then "tap" into rest  
of frame channel.

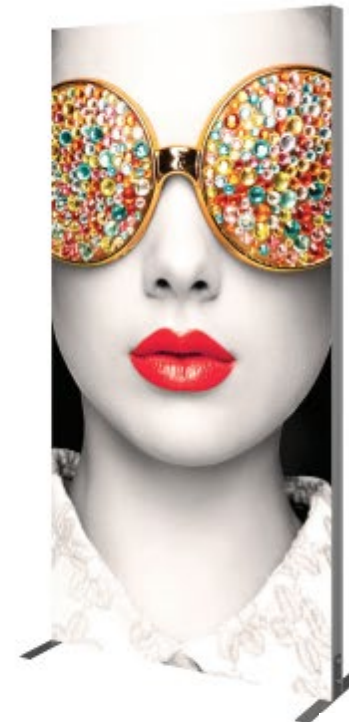
"Sliding down" graphic  
is not recommended  
for best installation.

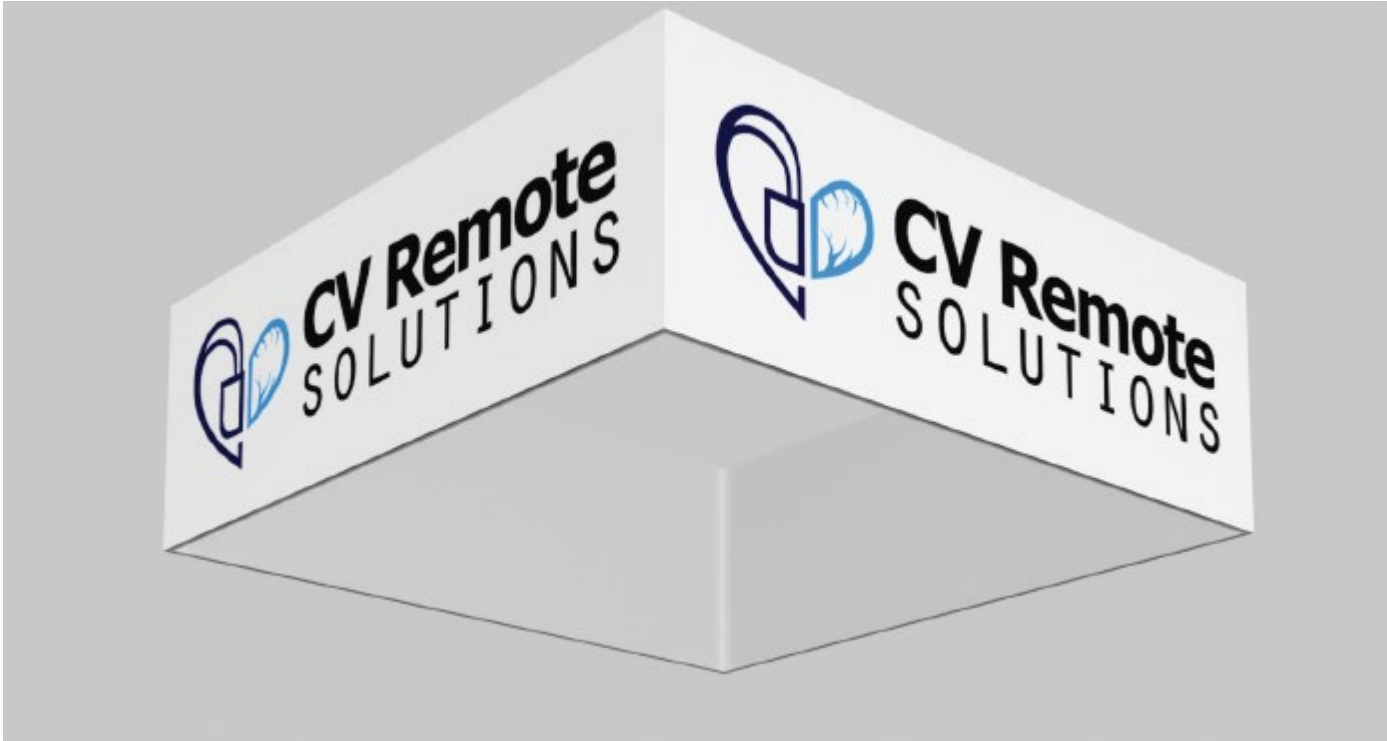
Repeat for backer.



Backer  
2nd channel

Graphic  
1st channel





**Hanging Sign Instructions**

# SQU-1004

## SET UP INSTRUCTIONS:

1. CONNECT BOTTOM AND TOP TUBES FOLLOWING THE LABELS
2. CONNECT SIDE TUBES
3. CLEAN THE FRAME AND PLACE THEM ON CLEAN PLACE
4. CAREFULLY REMOVE FABRIC COVER FROM BAG
5. PLACE COVER AROUND THE BOTTOM OF THE FRAME
6. PULL COVER CAREFULLY UP TO THE TOP
7. CLOSE ALL ZIPPERS
8. ADJUST FABRIC AROUND THE FRAME
9. CONNECT CABLE HARNESS TO THE EYEBOLTS
10. COMPLETELY TIGHTEN THREADED CONNECTORS

## BREAK DOWN INSTRUCTIONS:

REVERSE SET-UP STEPS TO BREAKDOWN FRAME

## FABRIC CARE INSTRUCTIONS:

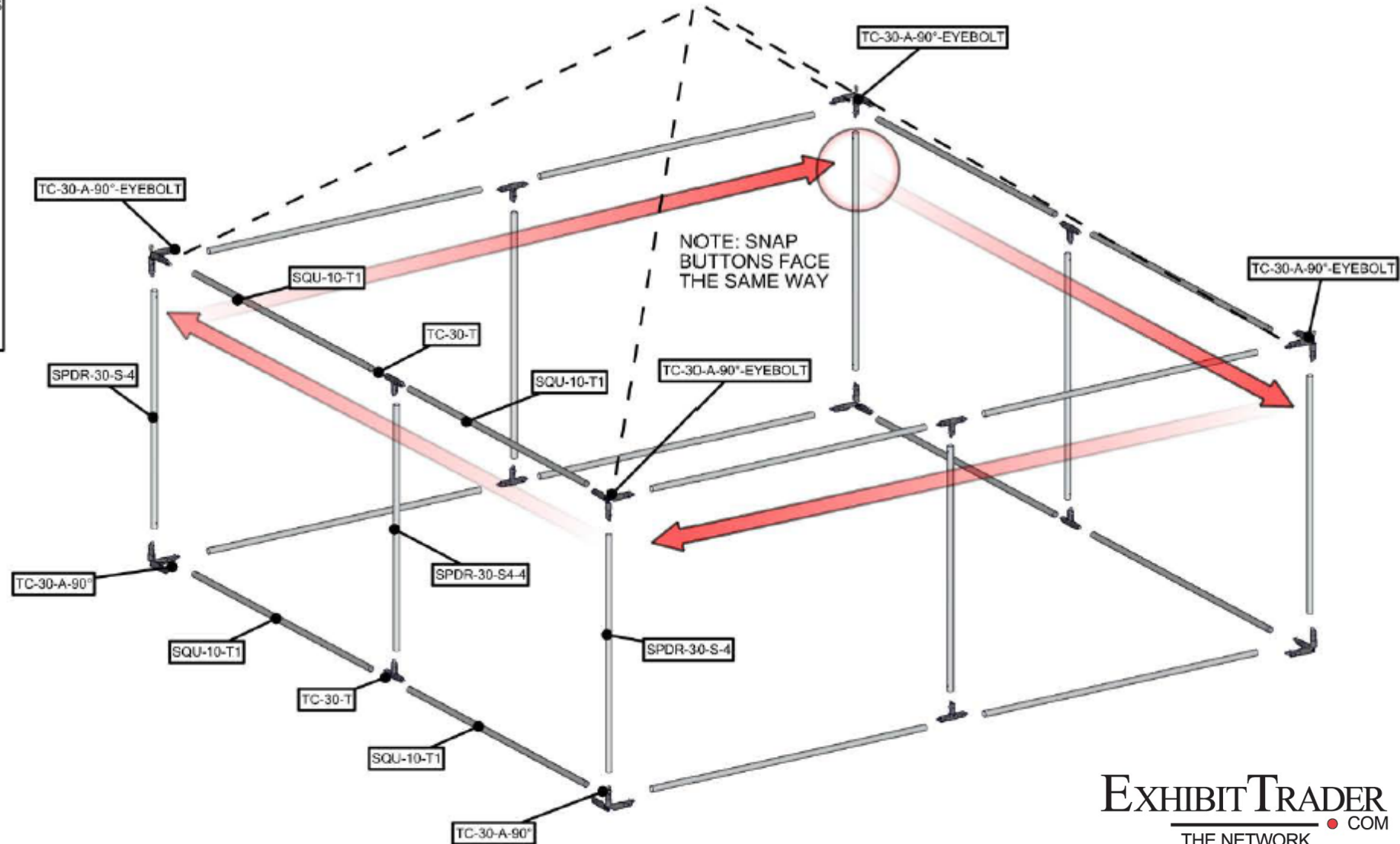
1. UNZIP COVER ZIPPERS
2. CAREFULLY REMOVE FABRIC COVER
3. CLOSE ALL ZIPPERS
4. FOLD OR ROLL NEATLY
5. PLACE FABRIC IN COVER BAG

TOTAL WEIGHT: 54.8(lbs)

MAX SIZE: 56.3(in)

HARDWARE: 29.6(lbs)

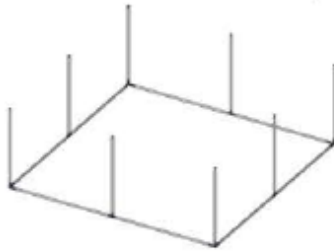
GRAPHIC: 22.2(lbs)



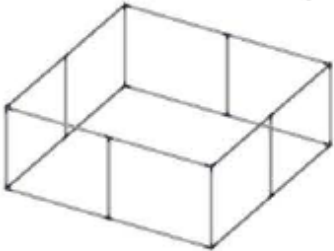
STEP 1



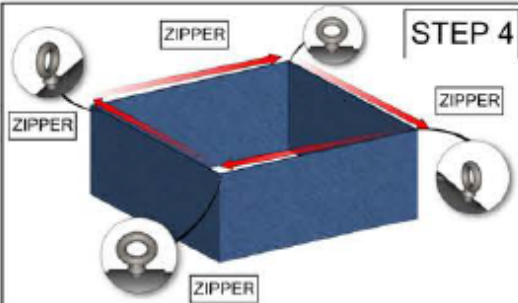
STEP 2



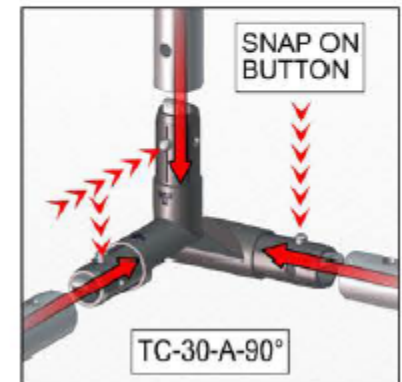
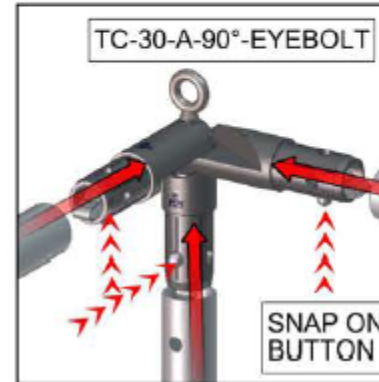
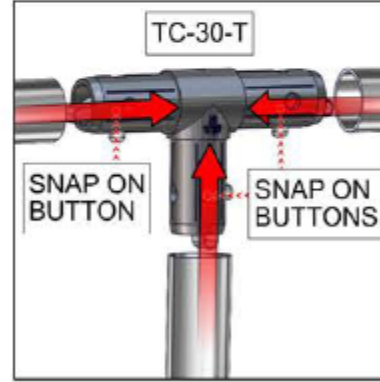
STEP 3



STEP 4



QTY	CODE	DESCRIPTION
4	SPDR-30-S-4	30MM STRAIGHT SPREADER FOR CORNERS OF 4' STRUCTURES
4	SPDR-30-S4-4	30MM STRAIGHT SPREADER FOR CORNERS TO TC-30-90T JUNCTIONS OF 4' STRUCTURES USING RIVETS
16	SQU-10-T1	TUBE 1 FOR 10' FOUR SIDED HANGING FABRIC STRUCTURE
4	TC-30-A-90°-EYEBOLT	TC-30-A ASSEMBLED at 90° WITH 1/4-20 EYE BOLT
4	TC-30-A-90°	TC-30-A ASSEMBLED at 90°
8	TC-30-T	T JUNCTION FOR 30MM TUBING





CV Remote  
Solutions

Bridging the Gap  
with Expert Clinical Care



CV Remote  
Solutions



## Light Box Graphics

**CV Remote Solutions**

### Our Mission

Provide Unsurpassed Care To Patients

[www.CVRemoteSolutions.com](http://www.CVRemoteSolutions.com)

This graphic features a dark blue header with the CV Remote Solutions logo. The main image shows a nurse in teal scrubs leaning over an elderly patient in a wheelchair. The background is a bright, modern hospital hallway. The text is centered in the upper half, and the website URL is at the bottom.

Outside Lightbox

**CV Remote Solutions**

### As Clinicians We Get It

It's not Outsourcing, it's Collaboration

[www.CVRemoteSolutions.com](http://www.CVRemoteSolutions.com)

This graphic features a dark blue header with the CV Remote Solutions logo. The main image shows two doctors in white coats, one pointing at a document. The background is a bright, modern hospital hallway. The text is centered in the upper half, and the website URL is at the bottom.

Outside Lightbox

**CV Remote Solutions**

### Device Clinic Essentials

*Education Course*  
*Coming Summer 2024*

[www.CVRemoteSolutions.com](http://www.CVRemoteSolutions.com)

This graphic features a dark blue header with the CV Remote Solutions logo. The main image shows three healthcare professionals (two women and one man) sitting at a desk with laptops, looking at a screen. The background is a bright, modern hospital hallway. The text is centered in the upper half, and the website URL is at the bottom.

Insdie Lightbox

**CV Remote Solutions**

### Our Services

- Remote Monitoring
- Device Clinic Optimization
- Consulting
- Education

[www.CVRemoteSolutions.com](http://www.CVRemoteSolutions.com)

This graphic features a dark blue header with the CV Remote Solutions logo. The main image shows two people (a man and a woman) sitting at a desk with laptops, working. The background is a bright, modern hospital hallway. The text is centered in the upper half, and the website URL is at the bottom.

Insdie Lightbox

# Tower Light Box Graphic



**Thank You**