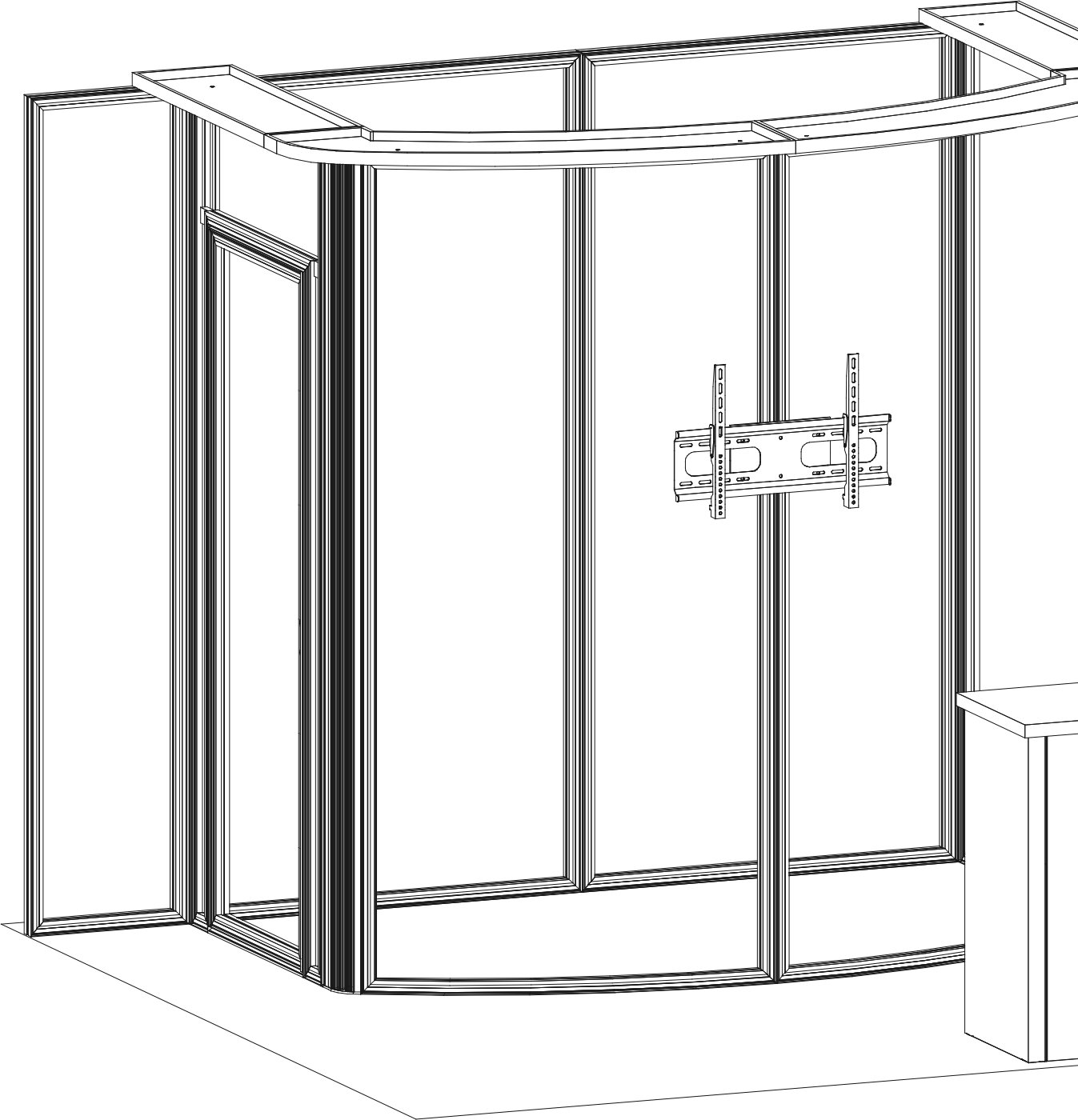
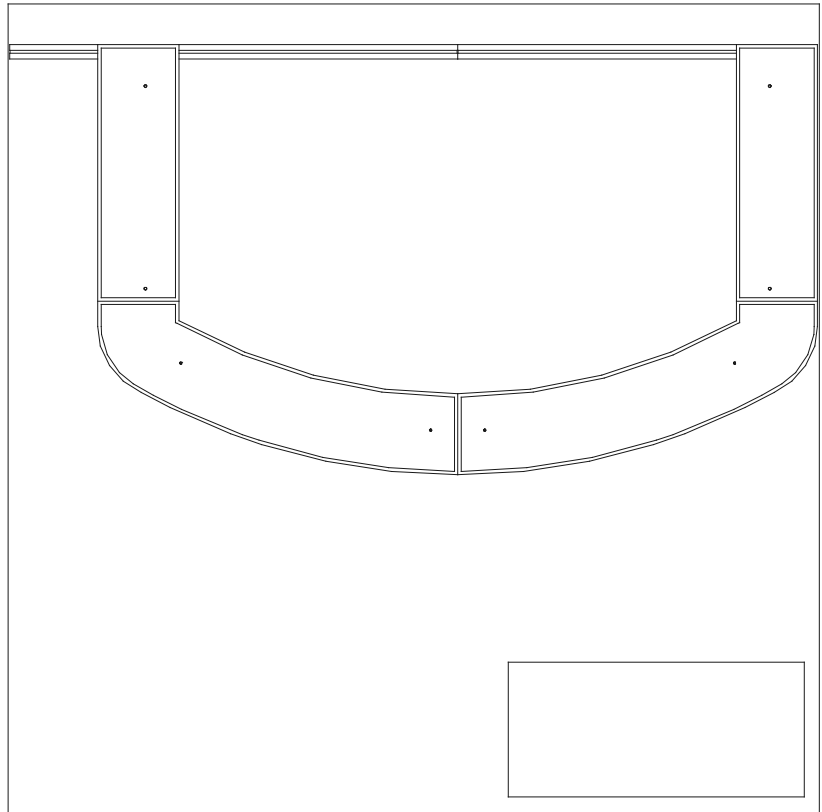
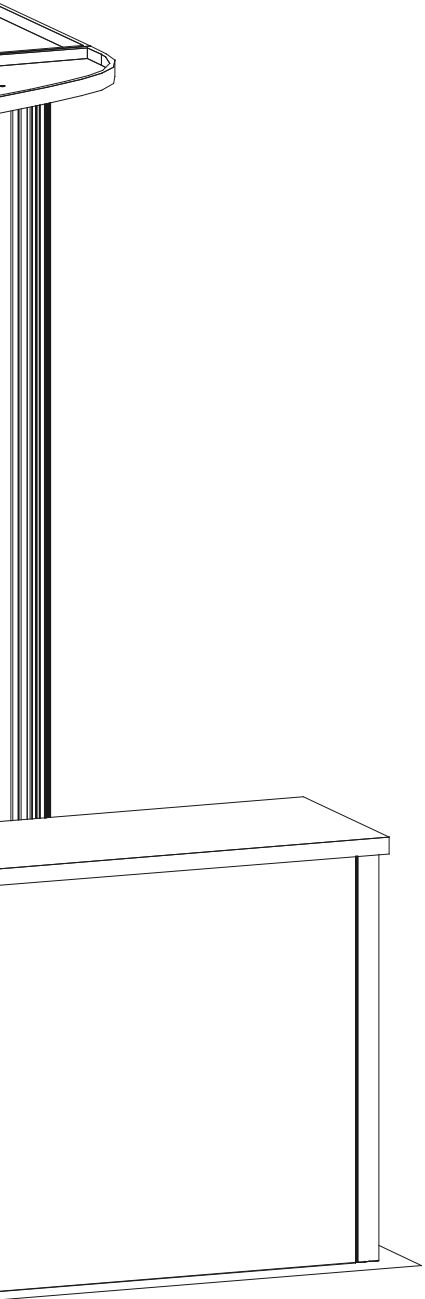
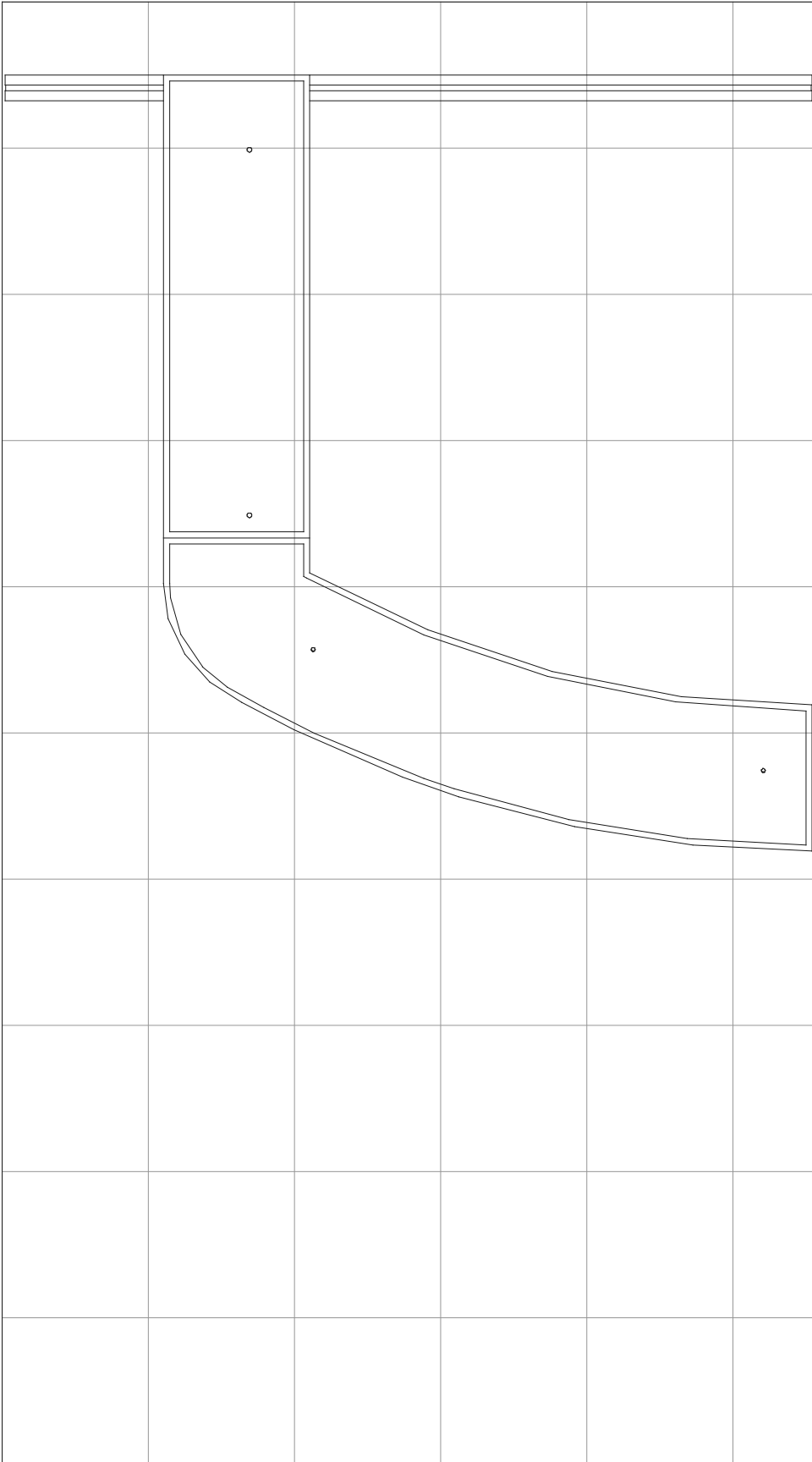
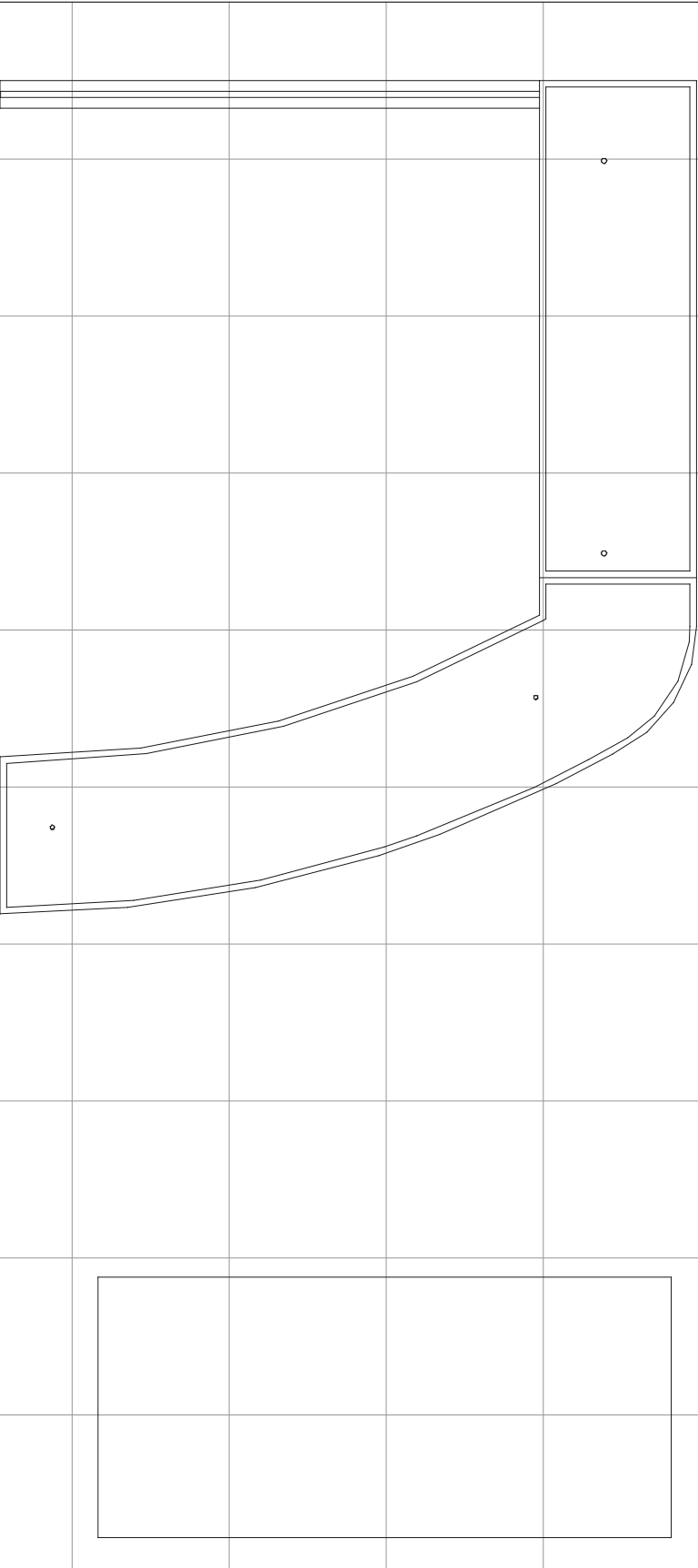


10' x 10' Go Hydrate









= 1 sq foot

General Setup Instructions

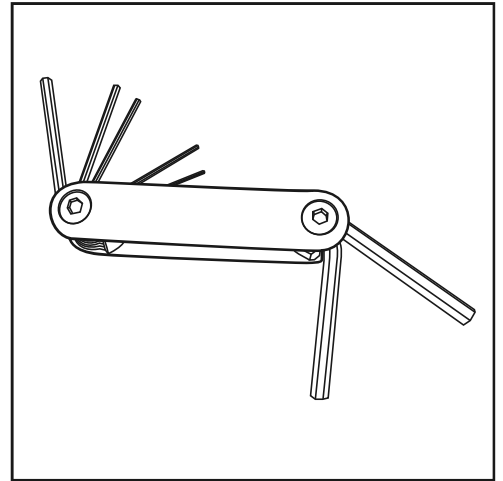
- Read entire setup instruction manual prior to unpacking parts and pieces.
- The setup instructions are created specifically for this configuration.
- Setup instructions are laid out sequentially in steps, including exploded views with detailed explanation for assembly.

Cleaning & Packing

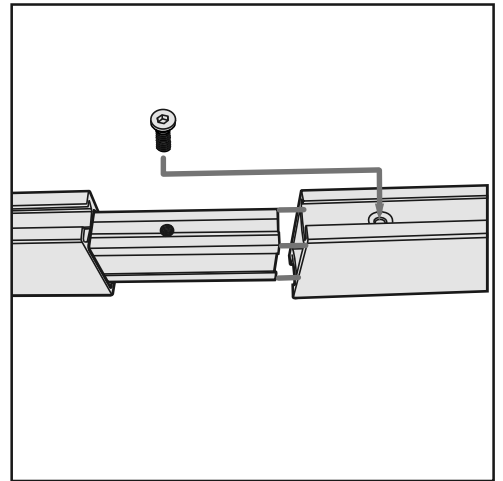
- For Cleaning Metal, Plex, & Laminate Parts: Use a **MILD NON-ABRASIVE** cleanser and soft cloth/paper towel to clean all surfaces.
- Keep exhibit components away from heat and prolonged sun exposure.
Heat and UV exposure will warp and fade components.
- Retain all provided Packing Materials. All provided packing materials are for ease of repacking & component protection.

Disassembly

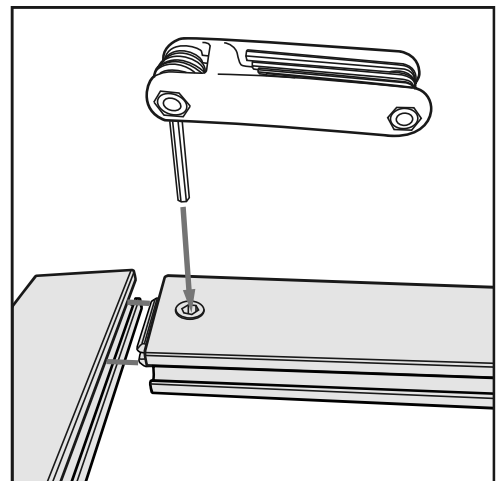
- For loss prevention, tighten all set screws and locks during disassembly.



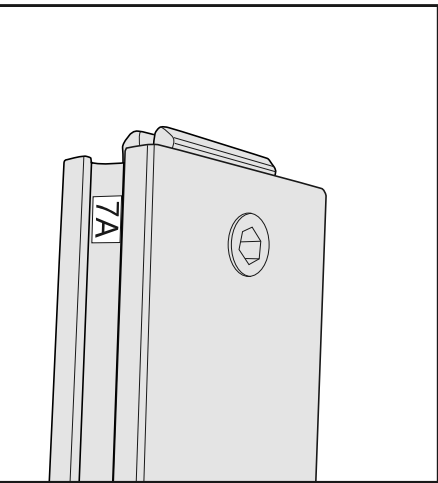
Hex Tool - Essential for Assembly



Spline Connection



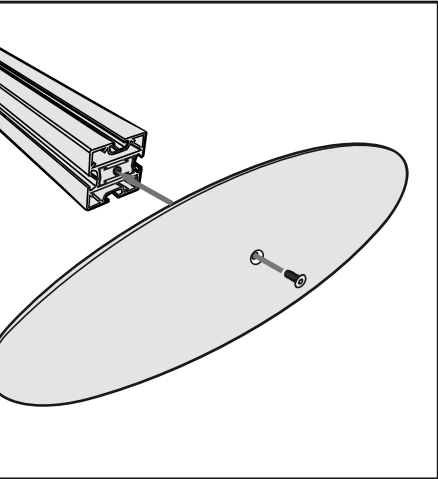
Extrusion & Lock Connection



Part Identification - Numbering



WARNING



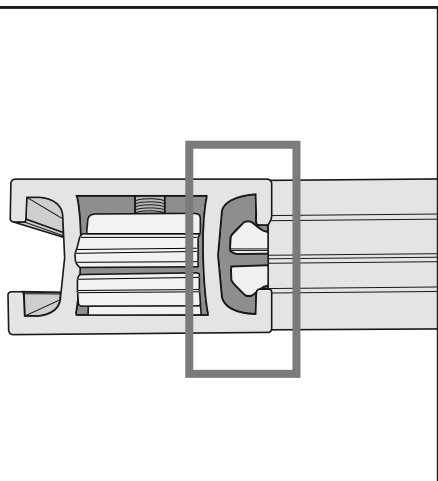
Base Plate & Extrusion Connection



DO NOT USE POWER TOOLS



LADDERS OR LIFTS
MAY BE REQUIRED



Engaged Lock



ALL CONNECTIONS MUST
BE TIGHTLY SECURED

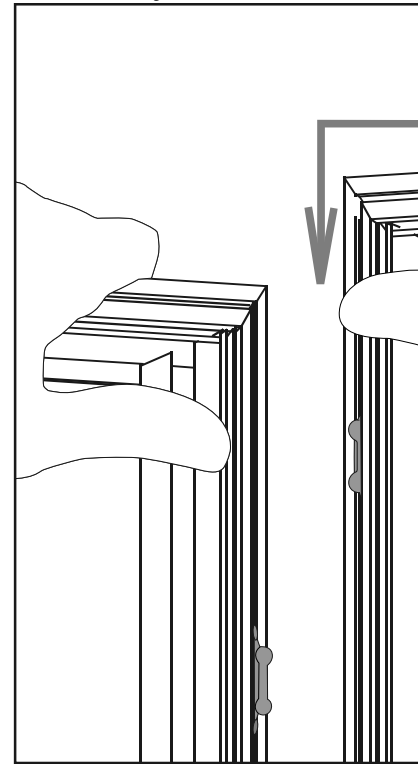
Side-by-Side Assembly

- 1) Frames: Place frames side-by-side with one higher than the other, then slide panel down to lock panels securely together.
- 2) Corner Connectors: Repeat Step 1 for installing corner connectors to frames.

Side-by-Side Disassembly

- 1) Pull pin lock outwards to disengage.
- 2) Pull frames upward and apart at the same time to detach.

Assembly



Stacking Assembly

- 1) Place one horizontal frame on top of the other, lining up the center grooves.
- 2) Turn stacking lock clockwise to tighten into place. Repeat for each lock.

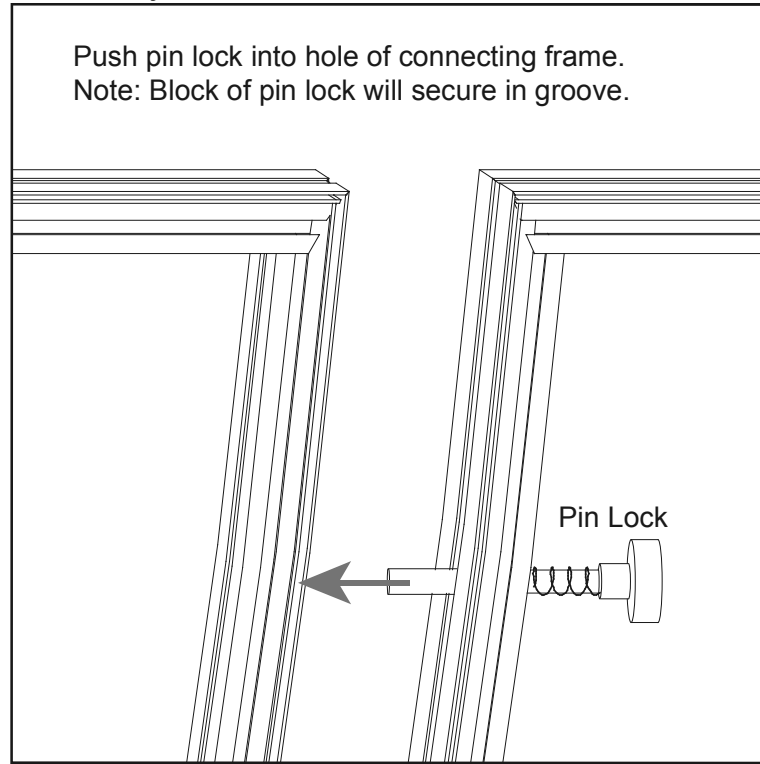
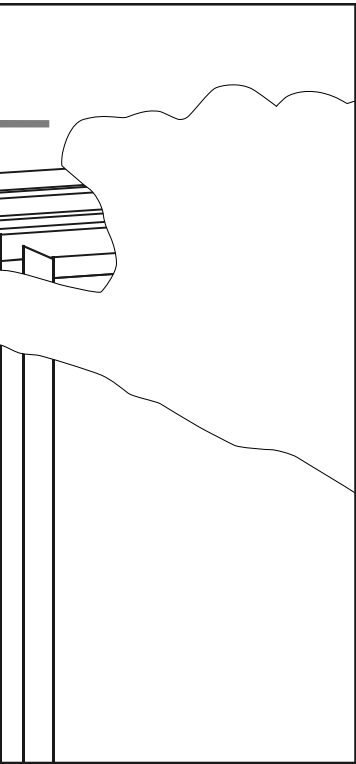
Stacking Disassembly

- 1) Turn the stacking lock counter-clockwise to loosen.
- 2) The whole spring on the stacking lock should be in view to release each frame. The disengaged spring should release the stacking lock. If not, keep turning the stacking lock until it disengages.

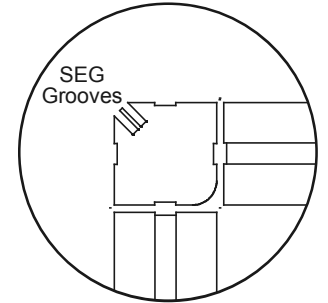
Stacking



Assembly Cont'd



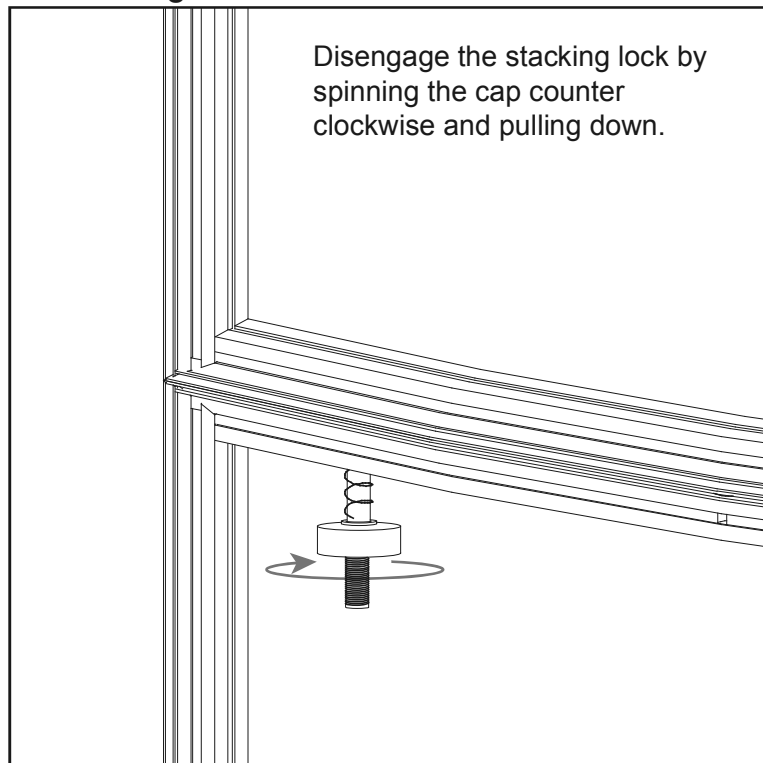
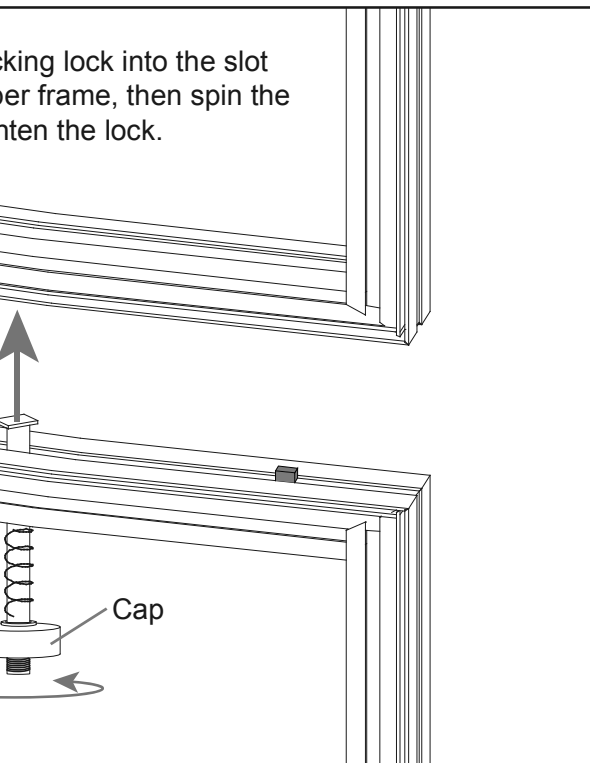
Corner Connector

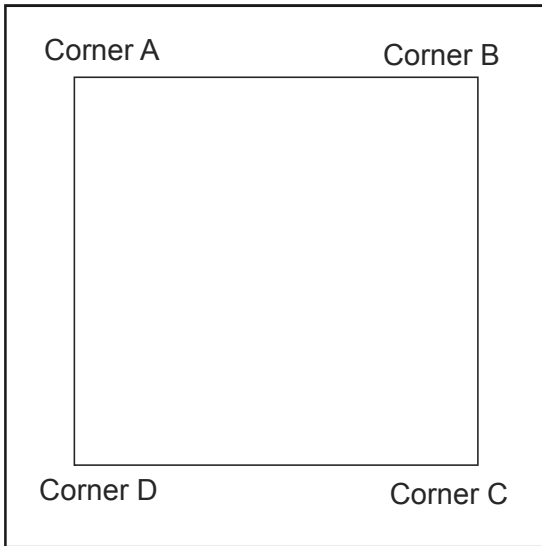


Top View

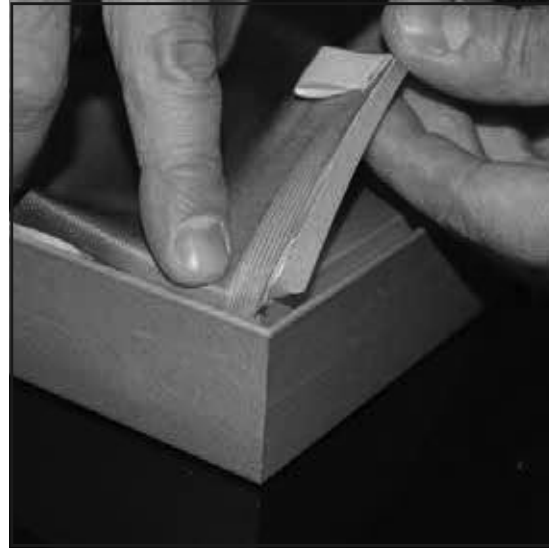
Note: Orientation of Corner Connector may change.

Unstacking





It is important to first insert graphic into each alternate corner then to the sides of the frame. If this is not done, graphic will not fit into the frame correctly.



Step 1

Insert corner A. Turn edge of graphic so silicon welt is perpendicular to face of graphic. Insert narrow side of welt with fabric to outside into the channel. Repeat for other side of this corner.



Step 2

Repeat Step 1 for corner C, then corner B, followed by corner D to complete the installation of the graphic.



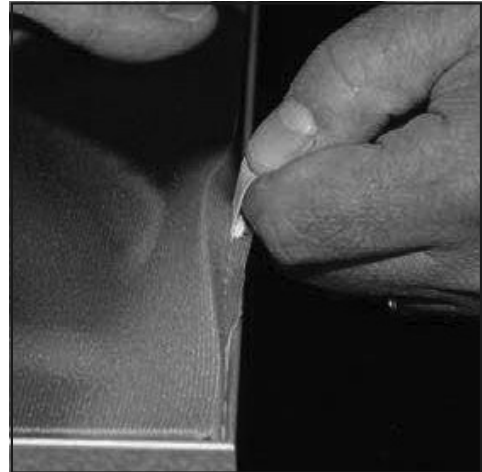
1 for opposite
n insert corner
y corner D, to
installation of



Step 3

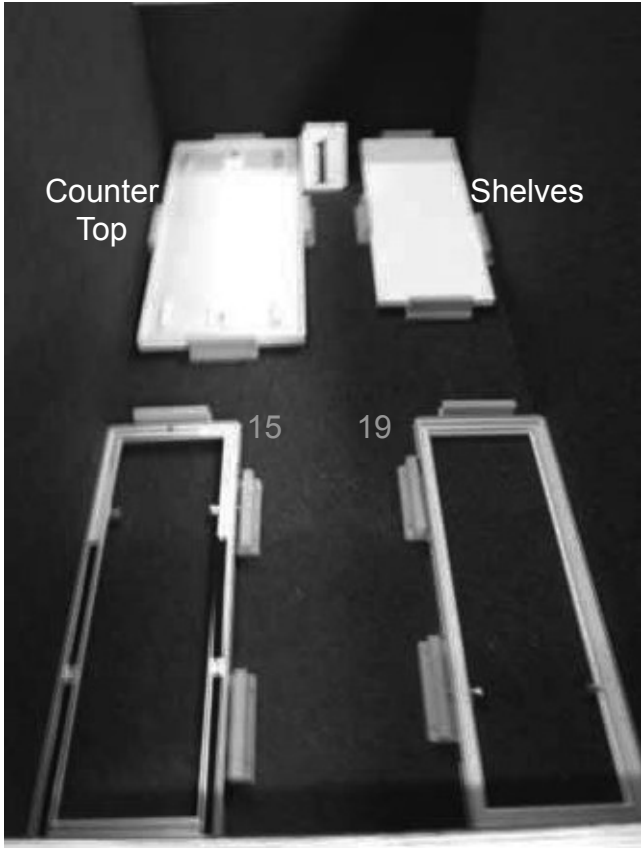
Once all corners are inserted, press one silicon edge into channel from corners and work toward the center. Make sure welt is fully inserted into channel. Continue until all sides are done. Smooth out edges of graphic.

Graphic Removal



To remove the graphic from the frame, locate the fabric pull tab. Gently pull up on the tab to remove the fabric.

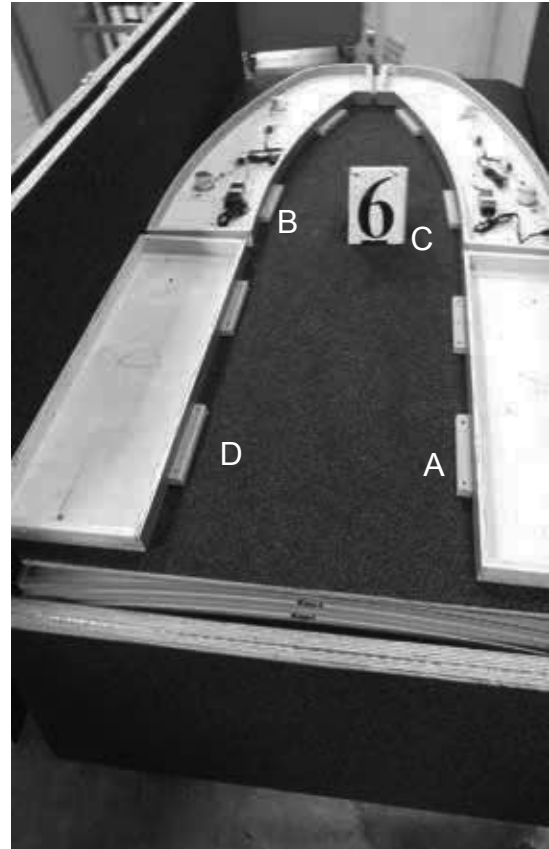
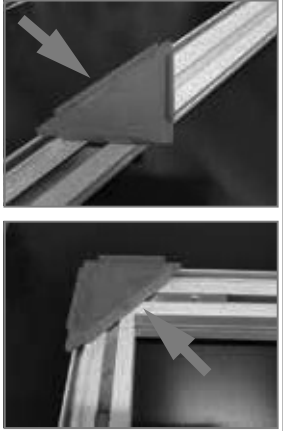
Crate Packing

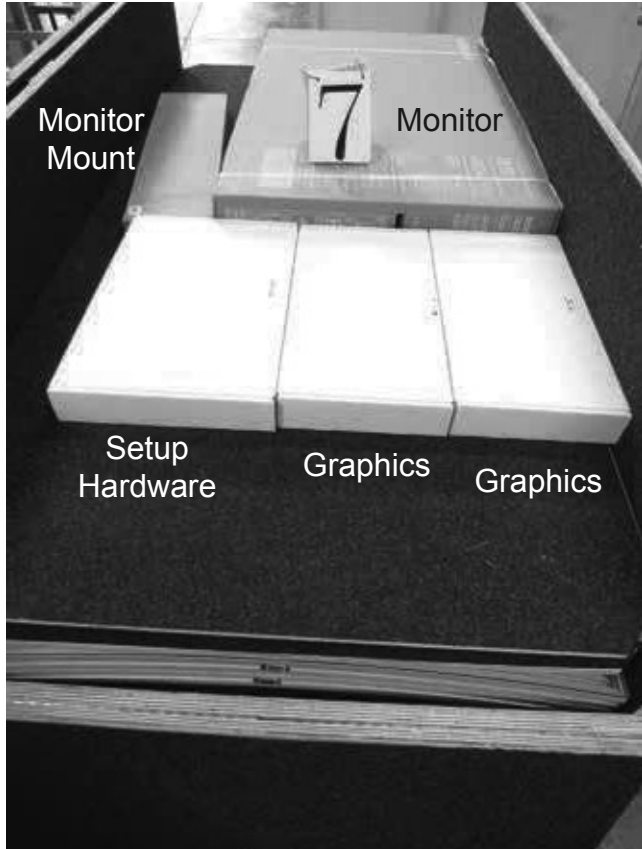
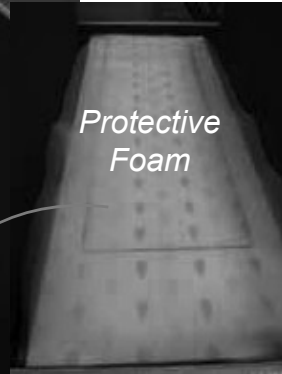
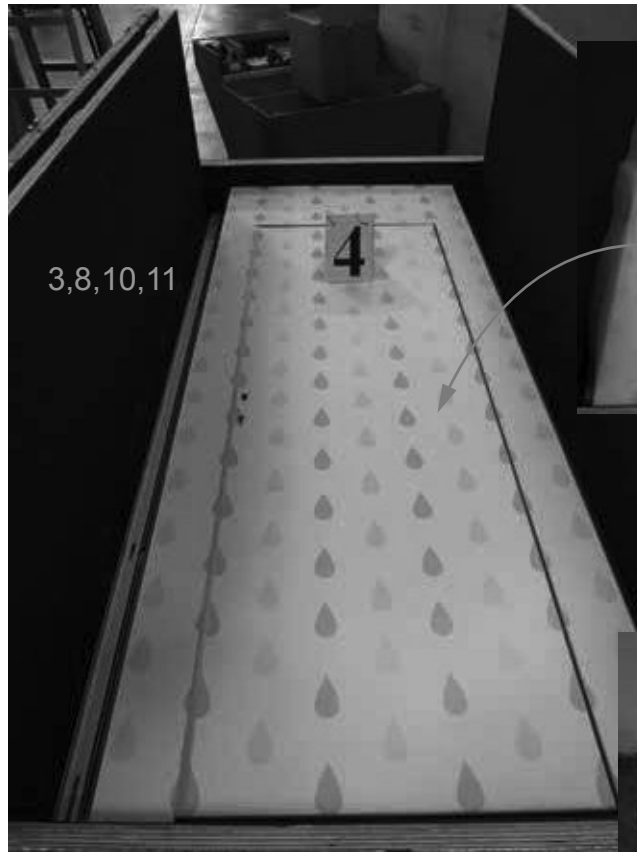


Gravitee Spacers

Gravitee panels are stacked with small plastic spacers between each panel, for stability during shipment.

Keep all spacers for repacking. Do not throw away.



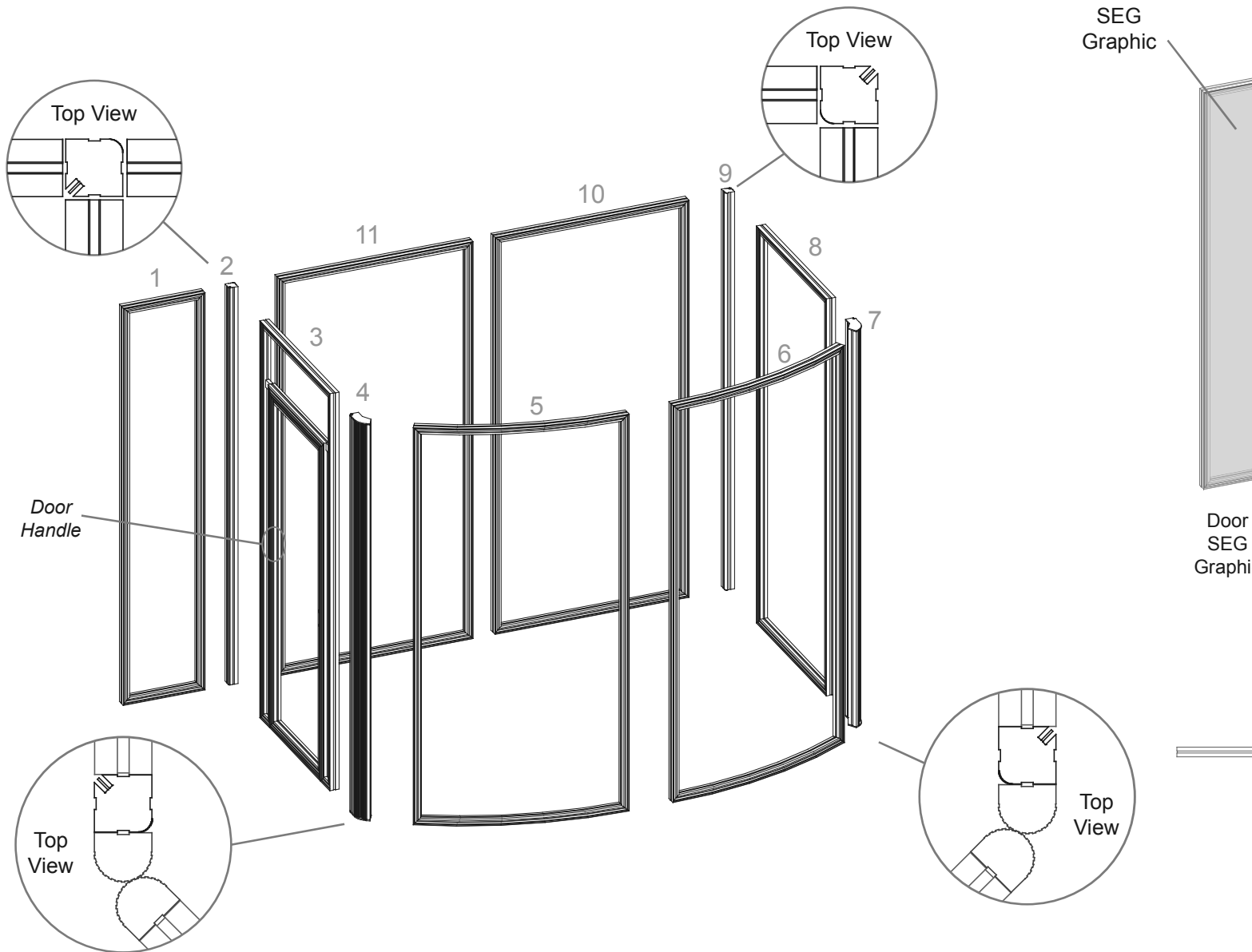


Backwall Assembly

Item	Qty.	Description
1	1	14.125"w x 95"h Gravitee Panel
2	1	95"h Gravitee Corner Post
3	1	38"w x 95"h Gravitee Door Panel
4	1	94.5"h Gravitee Corner Post & Hinged Connector w/ caps
5	1	46"w x 95"h Gravitee curved Panel
6	1	46"w x 95"h Gravitee curved Panel
7	1	94.5"h Gravitee Corner Post & Hinged Connector w/ caps
8	1	38"w x 95"h Gravitee Panel
9	1	95"h Gravitee Corner Post
10	1	45.106"w x 95"h Gravitee Panel
11	1	45.106"w x 95"h Gravitee Panel

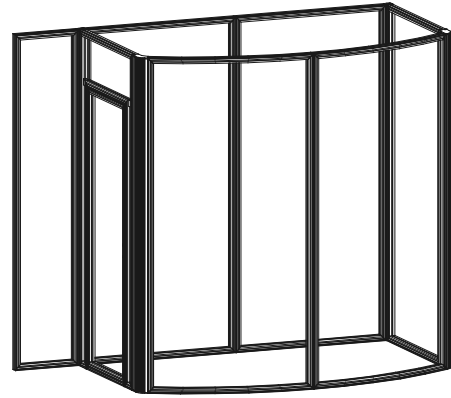
Steps:

- 1) Assemble Gravitee panel
Refer to the Gravitee A
- 2) Apply SEG graphics to
Refer to the SEG Insta

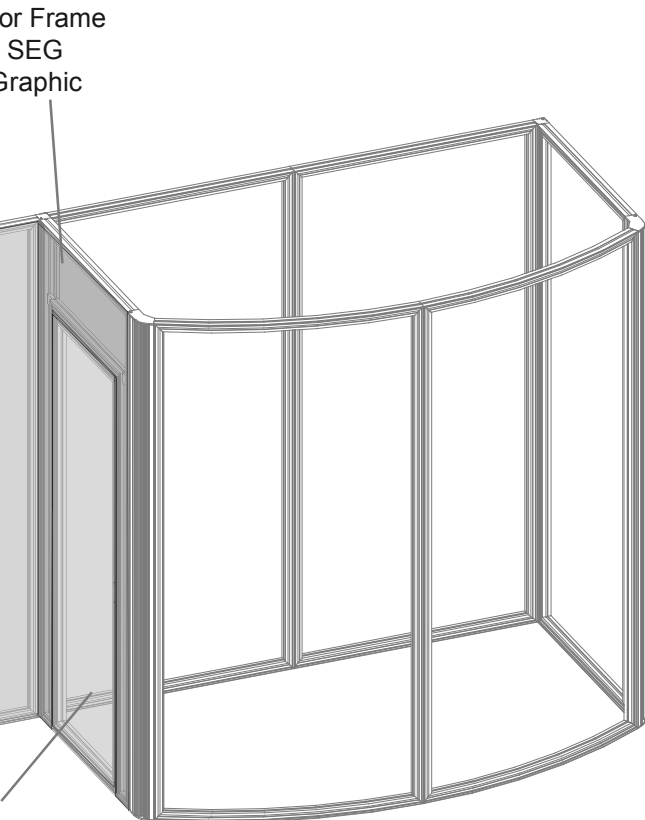


SETUP INSTRUCTIONS

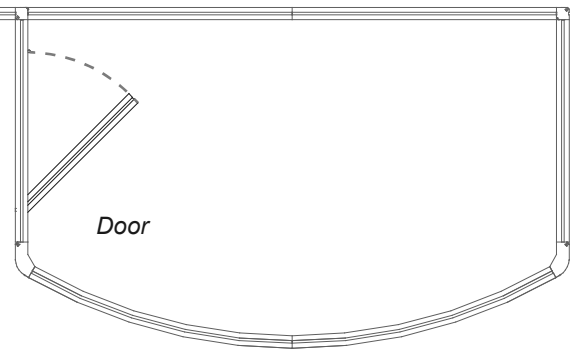
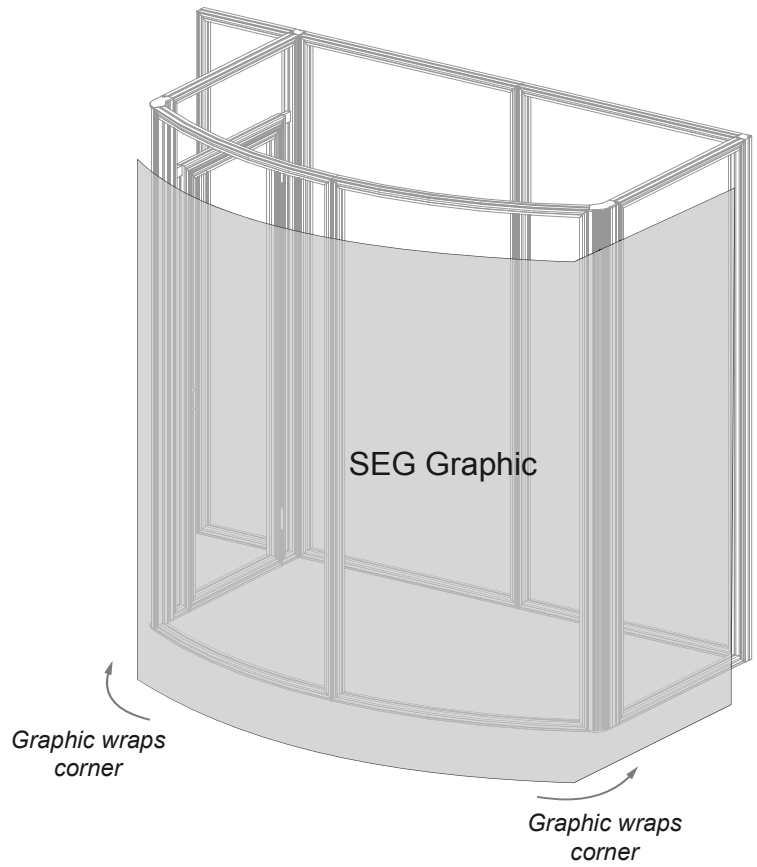
panels & connectors together in numerical order.
assembly general information page.
assembly as shown.
Installation general information page.



When assembled



c



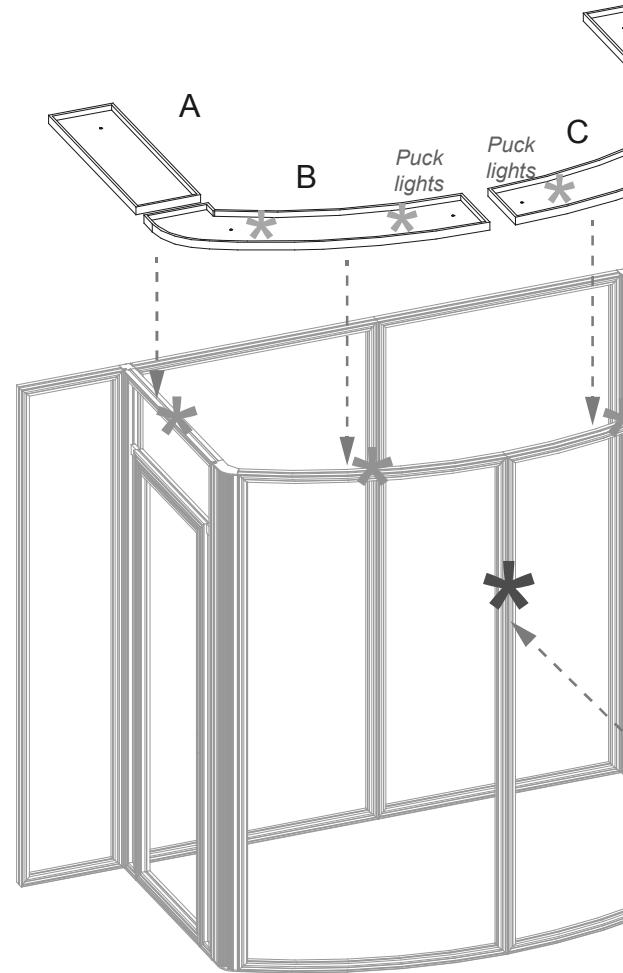
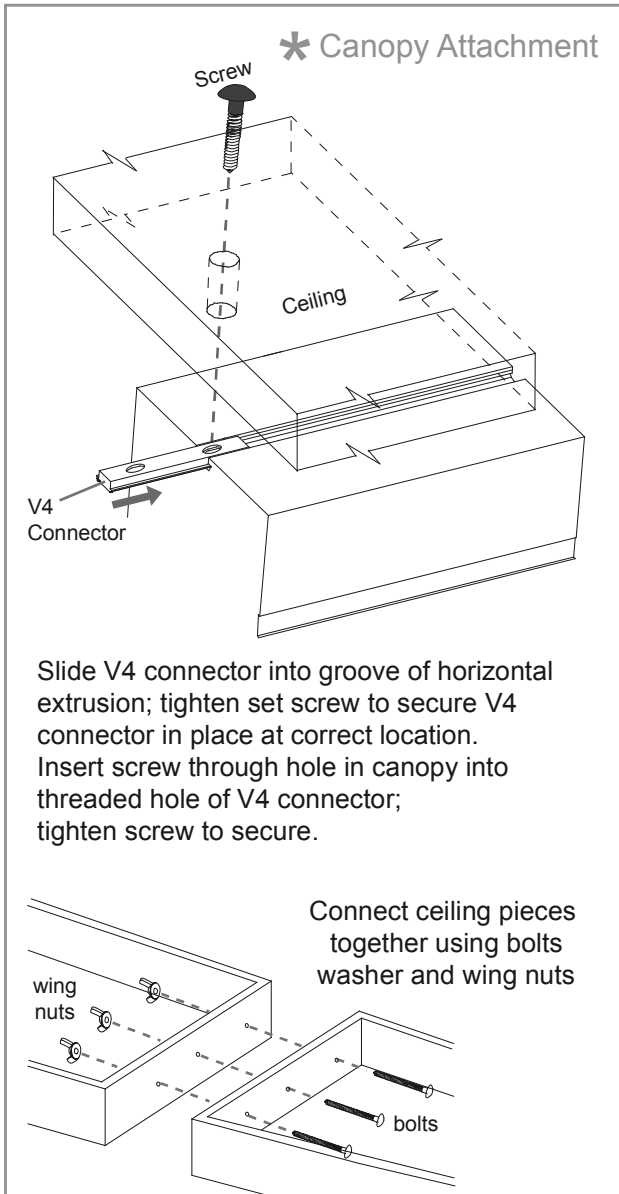
TOP VIEW

Backwall Attachments

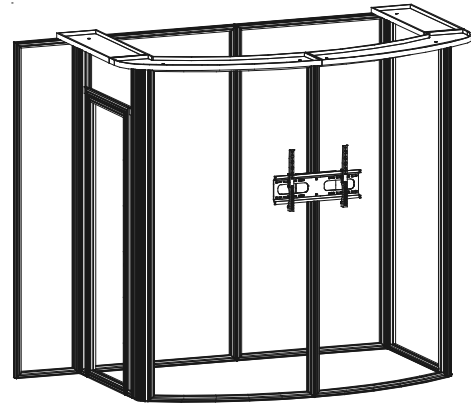
Item	Qty.	Description
A	1	12'x38" Canopy Panel
B	1	53.24" x 25.717" Canopy Panel
C	1	53.24" x 25.717" Canopy Panel
D	1	12'x38" Canopy panel

Steps:

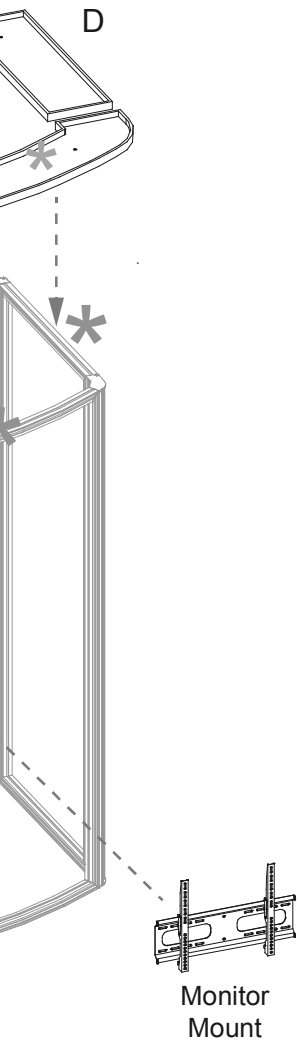
- 1) Install Canopy Panels [A,B,C,D] to panels as shown. See *Canopy Attachment*
- 2) Attach Monitor Mount to front panel. See *Monitor Mount Attachment detail*
- 3) Connect power cords to puck lights. See *Puck Light Connection detail*.



top of Gravitee
 attachment detail.
 ls.
 ail.
 s in ceiling panels.



When assembled



*** Puck Light Connection**
 Connect transformer to puck lights, then attach transformer to power source.

*** Monitor Mount Attachment**

Slide V4 connectors into vertical channels of Gravitee frames. Tighten set screws to secure.

Attach Standoff Barrels to V4 connectors; and connect Mounting Plate to standoff barrels, using bolts.
 Attach Monitor Mount to Mounting Plate.

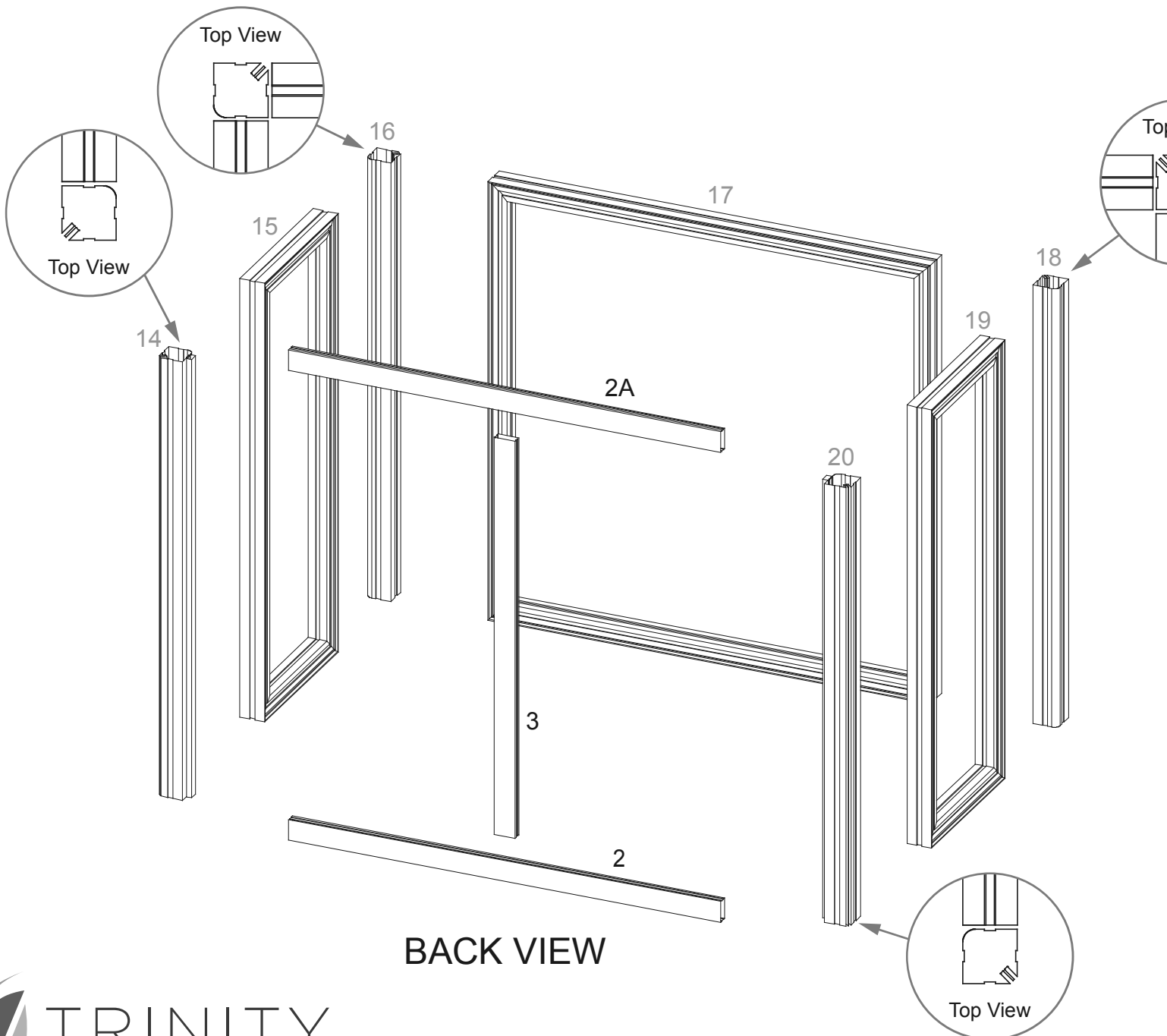
Standoff barrels install through the SEG Graphic.

Counter Assembly

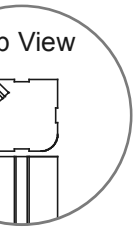
Item	Qty.	Description
14	1	37.5"h Gravitee Corner Post w/ S10 & Door Hinges
15	1	14.125"w x 38"h Gravitee panel
16	1	37.5"h Gravitee Corner Post w/ caps
17	1	38"w x 38"h Backlit Gravitee Panel
18	1	37.5"h Gravitee Corner Post w/ caps
19	1	14.125"w x 38"h Gravitee panel
20	1	37.5"h Gravitee Corner Post w/ S10 & Door Hinges
2,2A	1,1	37.094"w Z45 Horizontal Extrusion
3	1	34.417"h Z45 Vertical Extrusion w/ Door Stopper
--	--	Light Panel for Gravitee Panel [17]

Steps:

- 1) Assemble Gravitee panels & posts in order as shown, making sure Velcro is attached to the back of the panels.
- 2) Attach lower horizontal [2] between posts [14] and [20].
- 3) Attach vertical [3] to horizontal [2].
- 4) Attach upper horizontal [2A] between posts [16] and [18].
- 5) Connect doors to posts [14] and [20].
- 6) Connect light panel to back of Gravitee Panel [17].
See Light Panel detail.



ts together, in numerical
cro is facing inward.
en posts [14] and [20].
].
een posts [14] and [20],
tal [2A].
[20]. See Door Connection detail.
avitee panel [17].



* Light Panel

Connect light strips together, as shown.

Light to Light Attachment

Light to Transformer Attachment

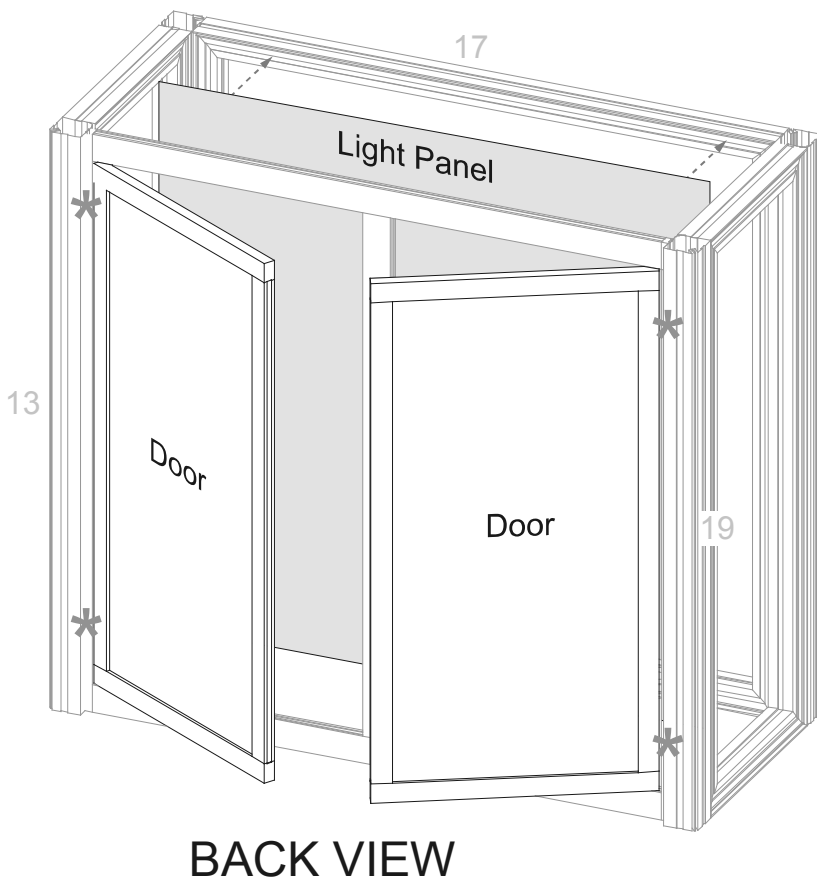
FRONT VIEW

Transformers

Maximum 8 light strips per transformer.

Transformer
144W / 6 Amp / 24V

- 1) Connect light strips together & attach transformers.
- 2) Run power cords out hole in back of light panel to power source.
- 3) Connect light panel to Velcro on back of Gravitee panel.



* Door Connection

Slide pin into hinge attached to vertical.
Slide door hinge over pin.

Door Hinge

Pin

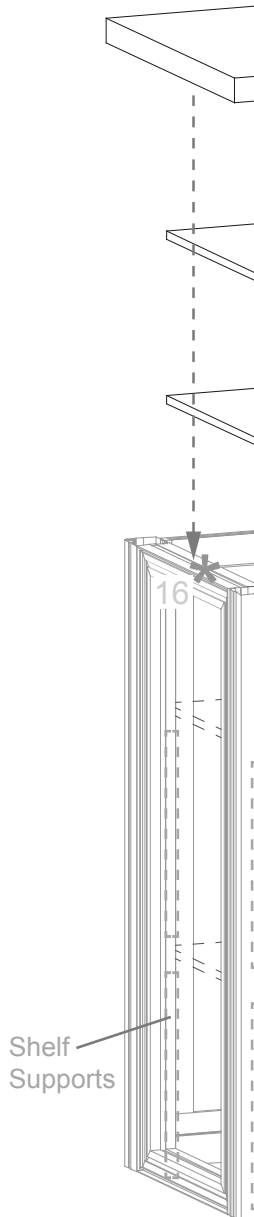
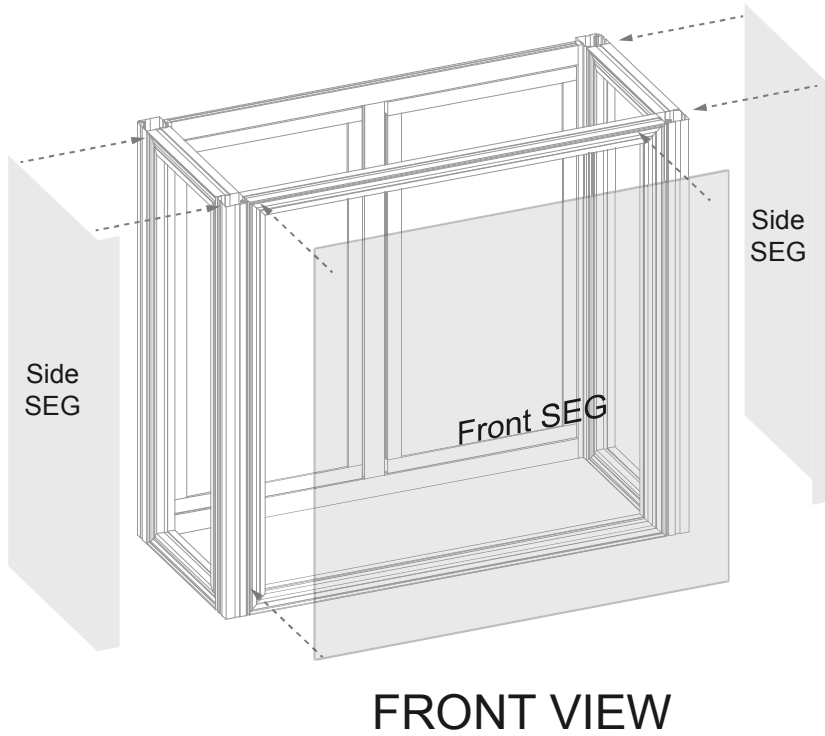
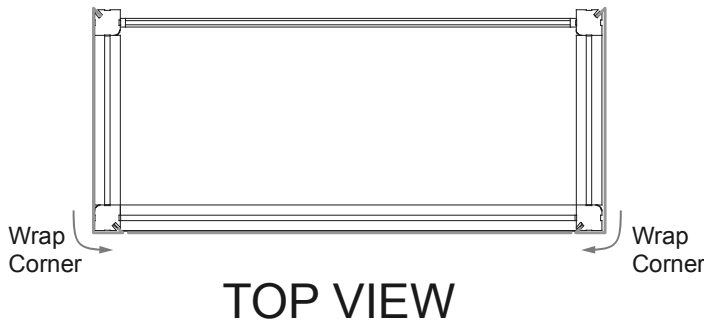
Hinge

Counter Assembly

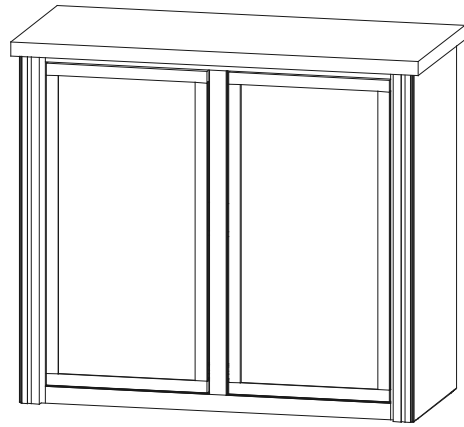
Item	Qty.	Description
--	8	12”h Shelf Supports
--	2	Internal Shelf

Steps:

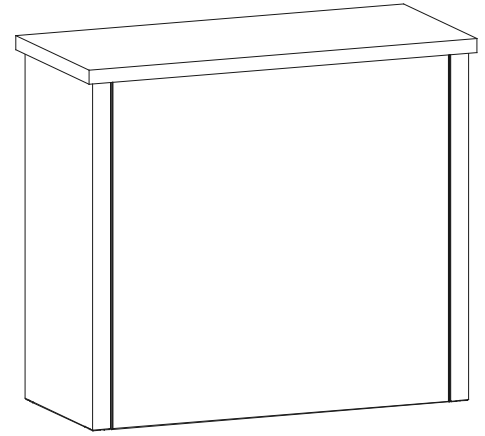
- 1) Apply SEG graphics to front and sides of counter assembly. See General Information sheet for instruction.
- 2) Connect shelf supports to Velcro on inside of [15] and then place shelves onto shelf supports.
- 3) Lock counter top to horizontals [15] and [19]. See Counter Top Lock detail.



Assembly.
d [19],

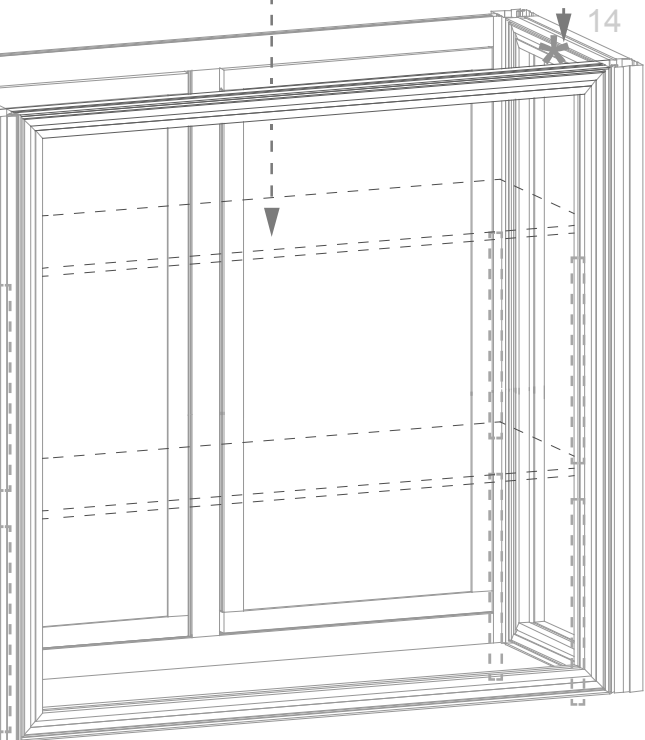
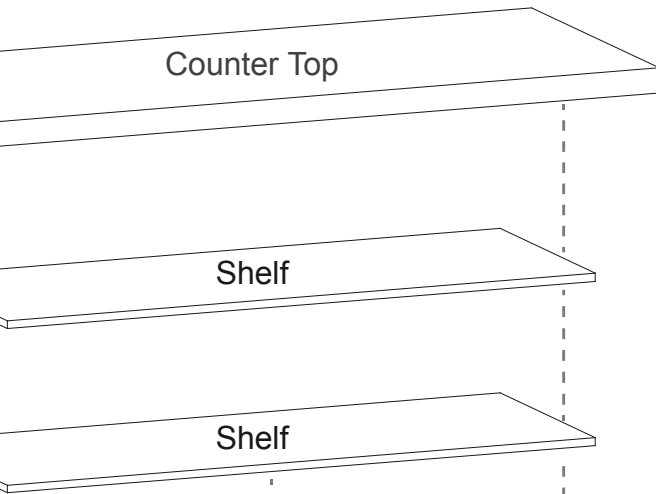


Back View



Front View

Completed Assembly



FRONT VIEW

