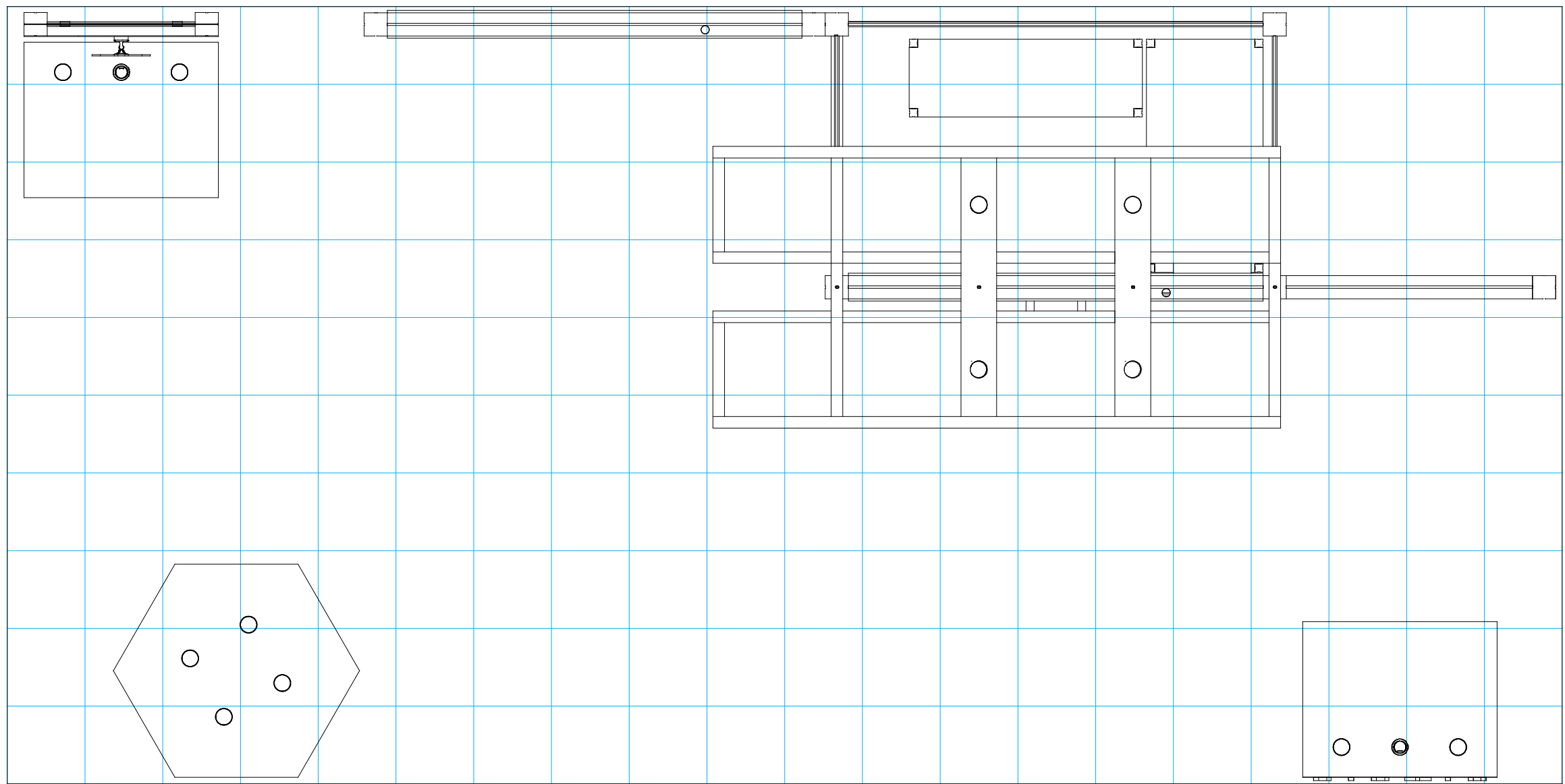



SETUP INSTRUCTIONS



 = 1 sq foot

General Setup Instructions

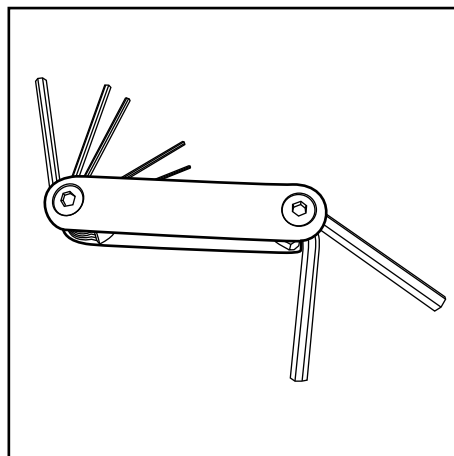
- Read entire setup instruction manual prior to unpacking parts and pieces.
- The setup instructions are created specifically for this configuration.
- Setup instructions are laid out sequentially in steps, including exploded views with detailed explanation for assembly.

Cleaning & Packing

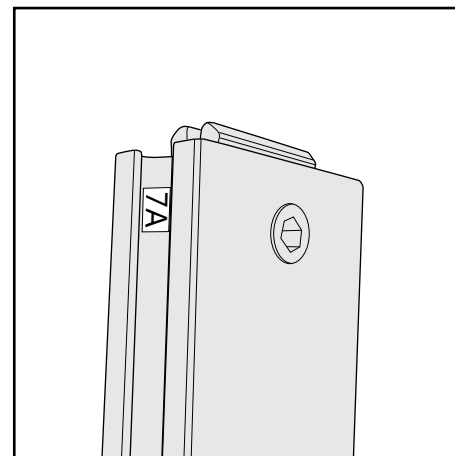
- For Cleaning Metal, Plex, & Laminate Parts: Use a **MILD NON-ABRASIVE** cleanser and soft cloth/paper towel to clean all surfaces.
- Keep exhibit components away from heat and prolonged sun exposure.
Heat and UV exposure will warp and fade components.
- Retain all provided Packing Materials. All provided packing materials are for ease of repacking & component protection.

Disassembly

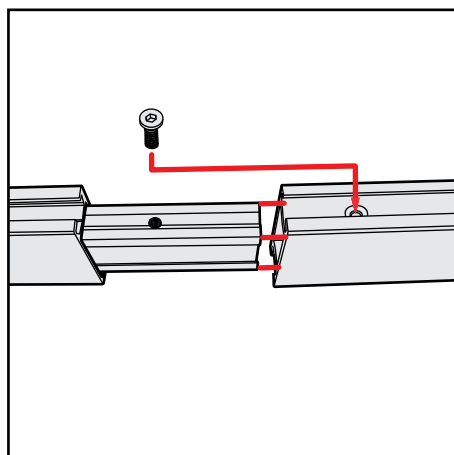
- For loss prevention, tighten all set screws and locks during disassembly.



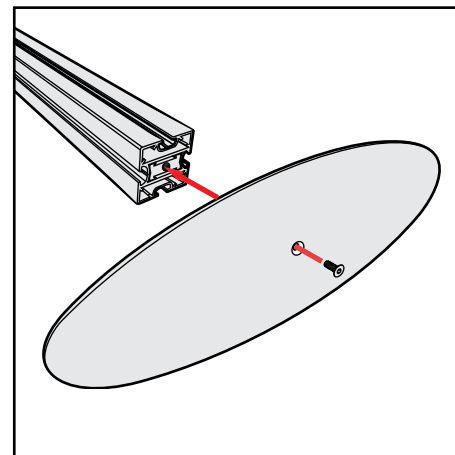
Hex Tool - Essential for Assembly



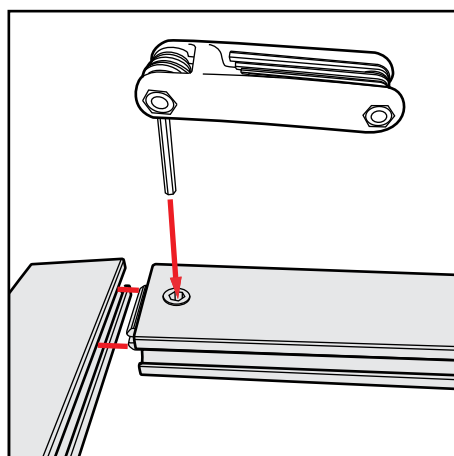
Part Identification - Numbering



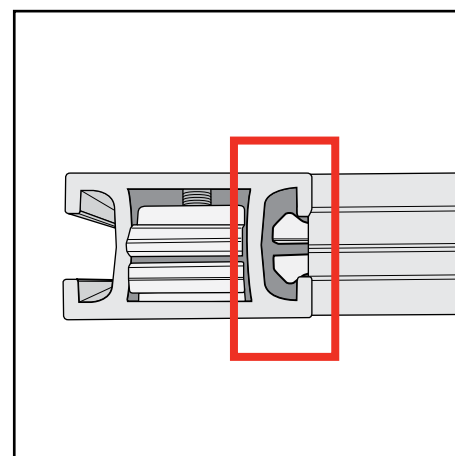
Spline Connection



Base Plate & Extrusion Connection



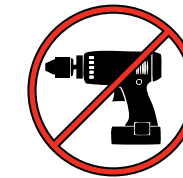
Extrusion & Lock Connection



Engaged Lock



WARNING



DO NOT USE POWER TOOLS



LADDERS OR LIFTS
MAY BE REQUIRED



ALL CONNECTIONS MUST
BE TIGHTLY SECURED

Controlling the RGB LED lights

Static Mode:

1. Use the Color Ring key to select a color.
2. Saturation is controlled with W/R/G/B keys.
3. White mode is available by long-pressing 'ON' key.
4. Colors (not white) are dimmable with the Brightness key.

Dynamic Mode:

- Press "M" key to cycle through the following options:
1. White light fades in and out.
 2. Several colors fade in and out.
 3. R,G,B three colors fade in and out.
 4. R,G,B three colors flash.
 5. Six colors flash.
 6. Random color flashes.
 7. Red color fades in and flashes.
 8. Green color fades in and flashes.
 9. Blue color fades in and flashes.

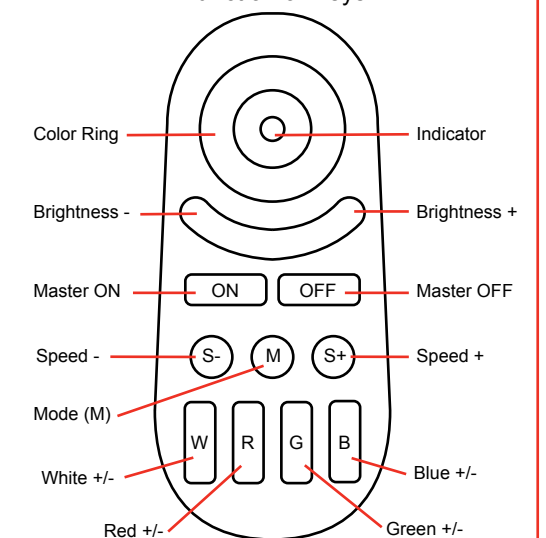
To Pair a Remote with Multiple Units:

1. Power on the lights.
2. Press 'ON' key within 3 seconds.
3. Lights will blink when link is made.

To unpair: Long press 'ON' key within 3 seconds after switching on lights.

Remotes can be paired with one or more receivers. Different receivers can work synchronously even when started at different times (within 30 min).

Function of Keys



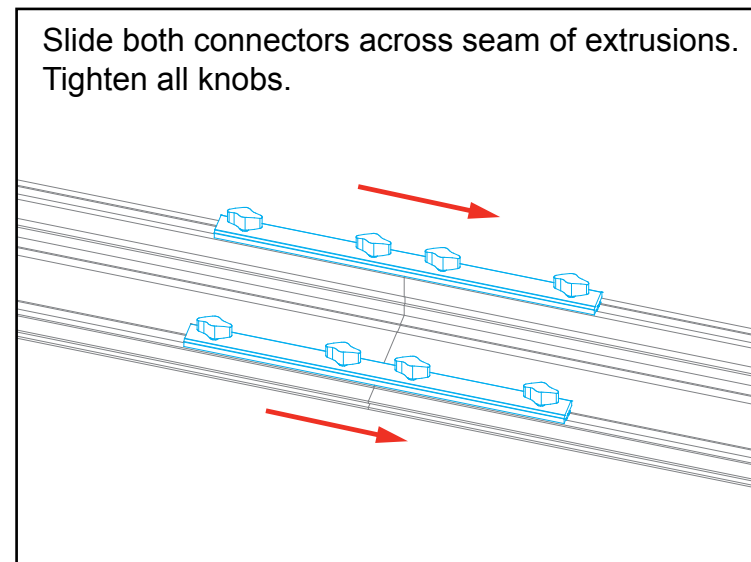
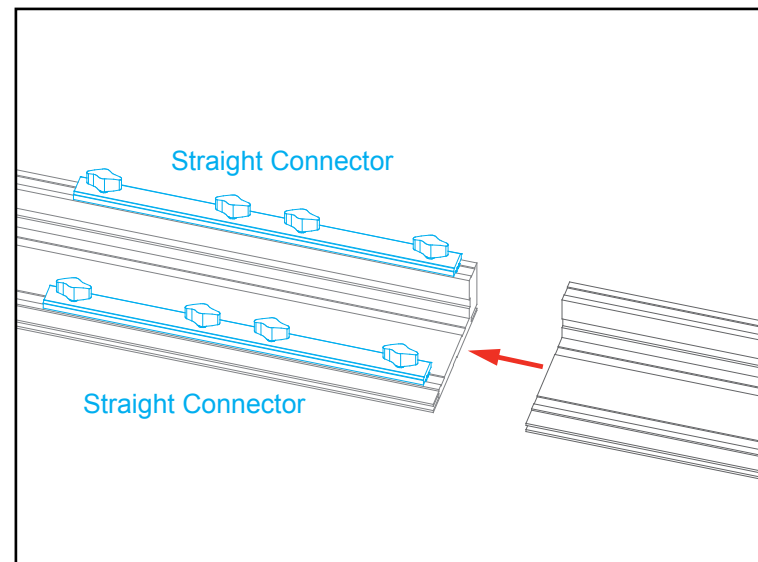
Specifications:

- | | |
|-------------------------------|-----------------------------|
| Receiver: | Remote Control: |
| 1. Working voltage: DC12V/24V | 1. Working voltage: 3V |
| 2. Output: Max. 6A/Channel | 2. Standby power: <20uA |
| Total output Max. 10A | 3. Transmitting power: 6dBm |
| 3. Max standby power: 0.5W | |

Straight Connection

When assembling frame, first attach all **straight connectors**, then attach **corner connectors**.

- 1) Place extrusions end-to-end.
- 2) Loosen all knobs, then slide **straight connectors** across the seam of extrusions.
- 3) Tighten all knobs to secure connection.



All knobs must be tightened securely to ensure a proper connection.

Disassembly

- 1) Loosen all knobs.
- 2) Slide connectors off of one extrusion.
- 3) Tighten knobs to prevent loss during packing & shipping.

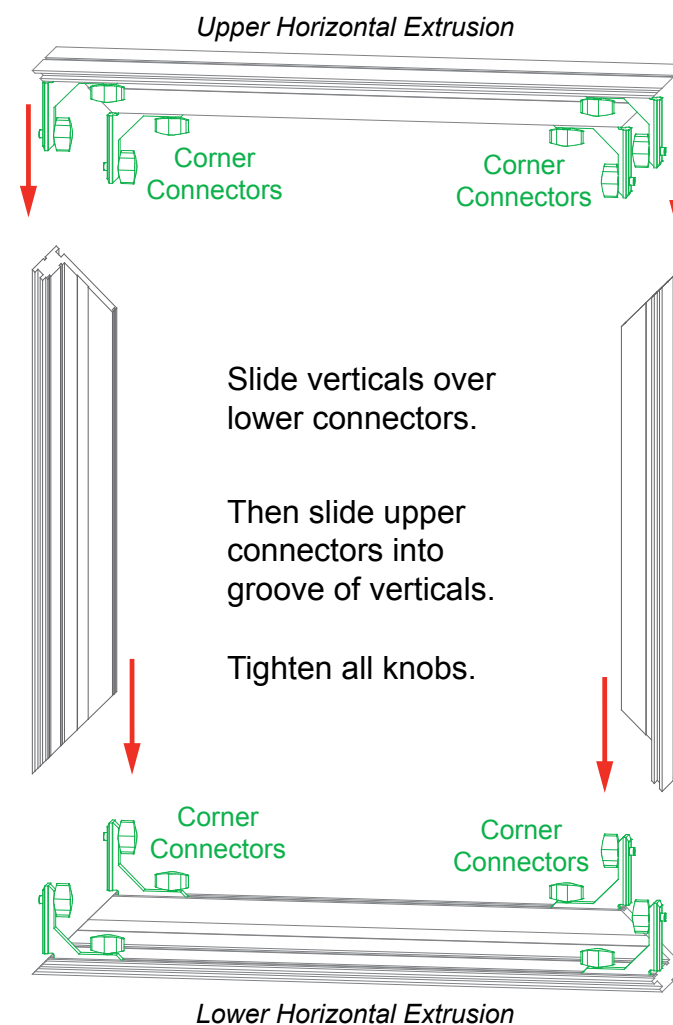
Keep straight connectors in groove of extrusion. Do not remove connectors during disassembly.

Corner Connection

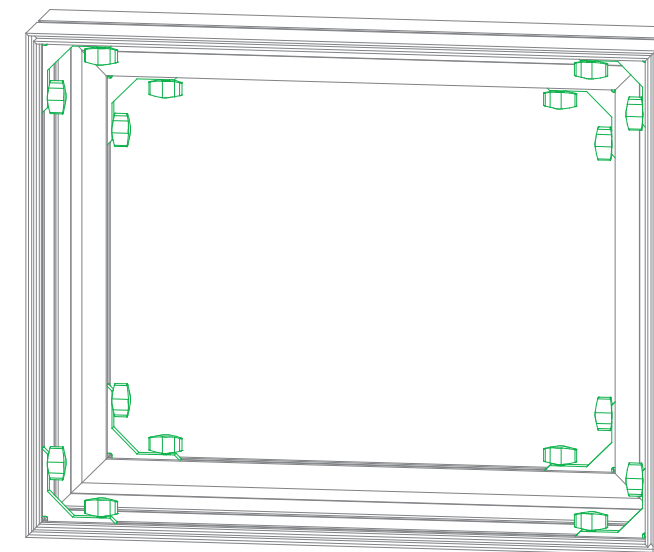
- 1) Loosen knobs, then slide vertical extrusions onto **corner connectors** of **lower** horizontal extrusion.
- 2) Slide **corner connectors** of **upper** horizontal extrusion into grooves of vertical extrusions.
- 3) Tighten all knobs to secure connection.

Disassembly

- 1) Loosen knobs on vertical extrusions.
- 2) Slide the vertical extrusions off of **corner connectors** on lower and upper horizontal extrusions.

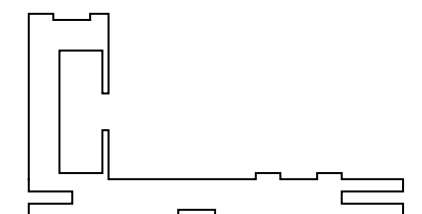


Adjust connectors if necessary to prevent gaps in connection.

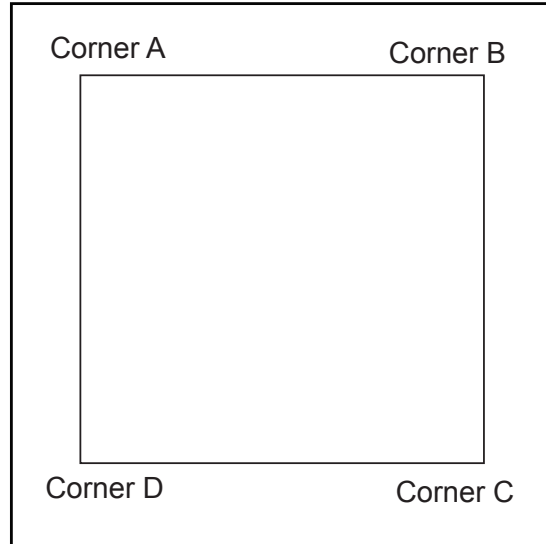


COMPLETED ASSEMBLY

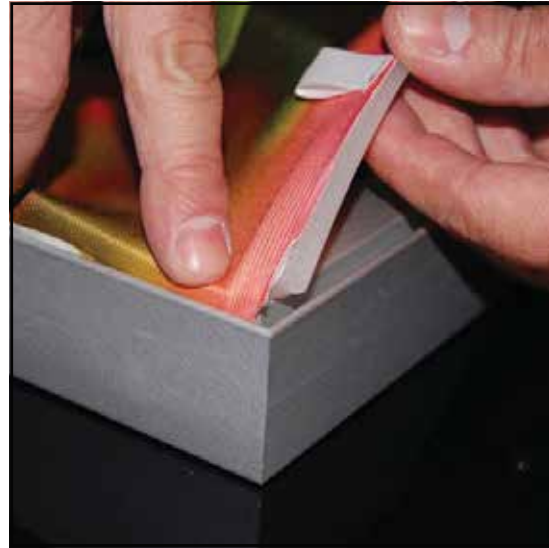
All knobs must be tightened securely to ensure a proper connection.



CEI110 Profile



It is important to first insert graphic into each alternate corner then to the sides of the frame. If this is not done, graphic will not fit into the frame correctly.



Step 1
Insert corner A. Turn edge of graphic so silicon welt is perpendicular to face of graphic. Insert narrow side of welt with fabric to outside into the channel. Repeat for other side of this corner.

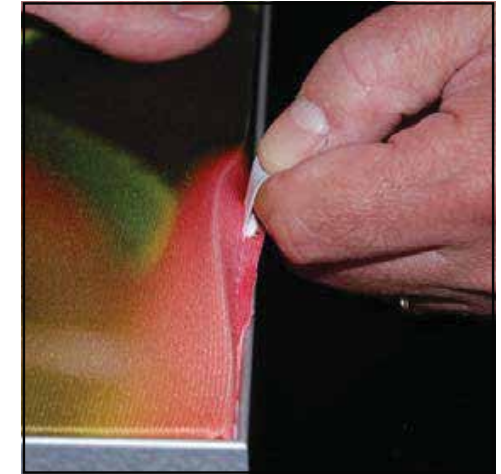


Step 2
Repeat Step 1 for opposite corner C, then insert corner D, to complete the installation of the corners.



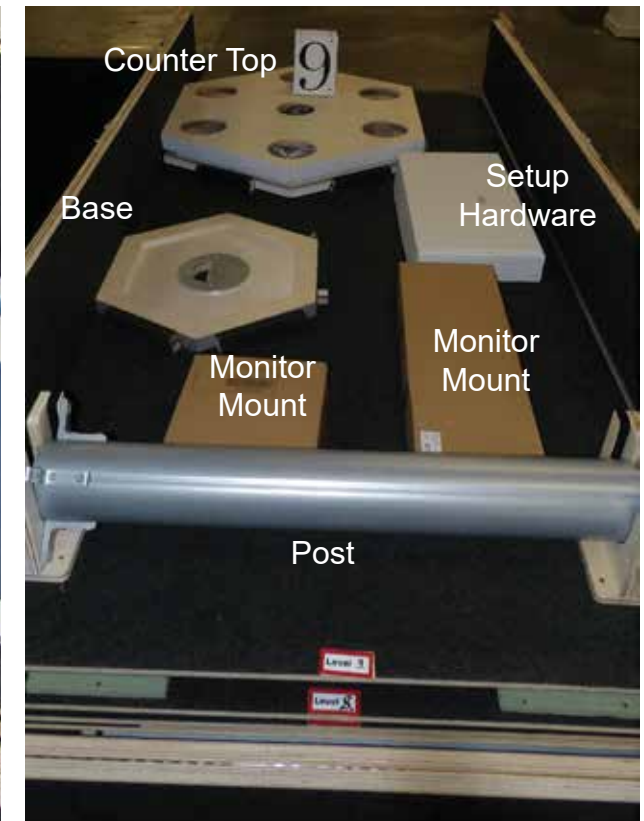
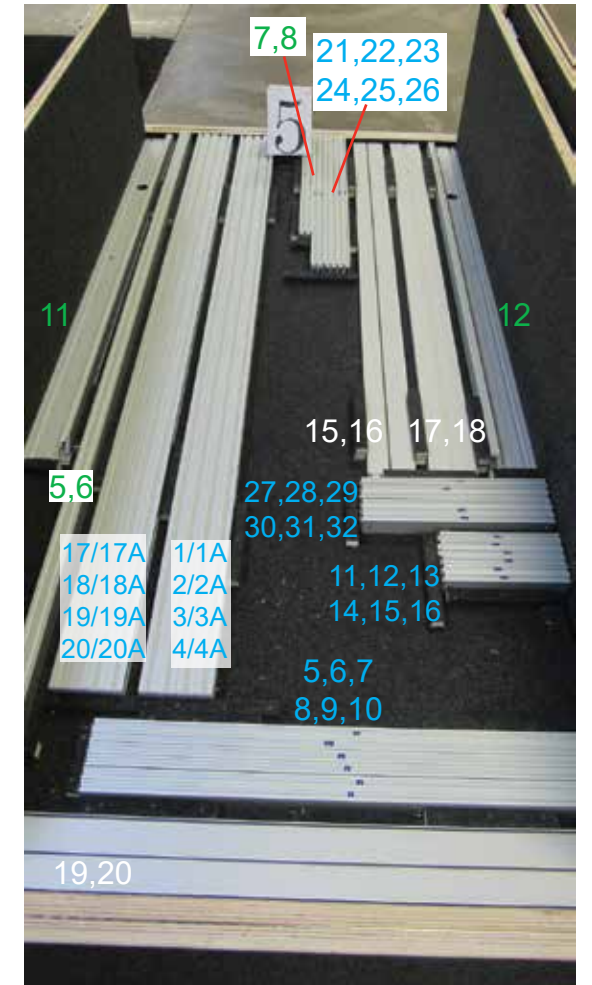
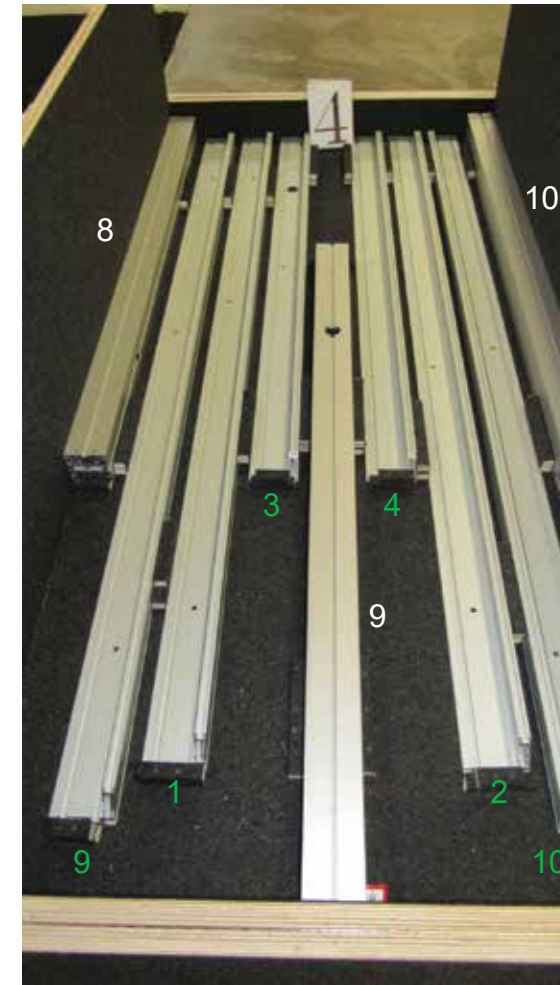
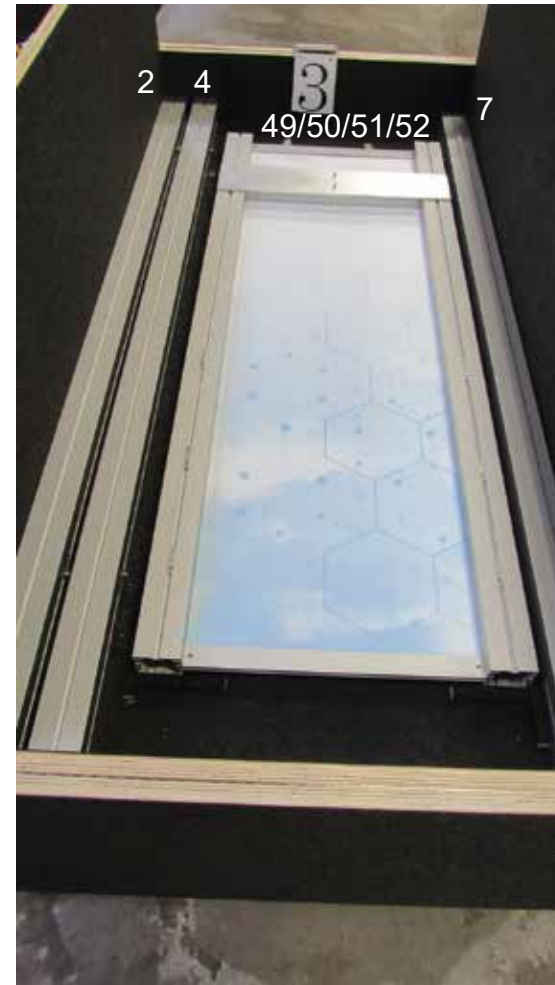
Step 3
Once all corners are inserted, press one silicon edge into channel from corners and work toward the center. Make sure welt is fully inserted into channel. Continue until all sides are done. Smooth out edges of graphic.

Graphic Removal



To remove the graphic from the frame, locate the fabric pull tab. Gently pull up on the tab to remove the fabric.

*Retain all packing materials.
DO NOT DISCARD.*



FRONT VIEW



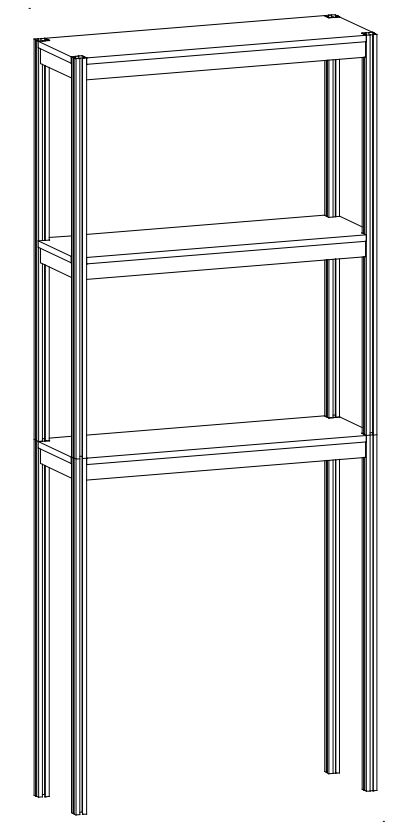
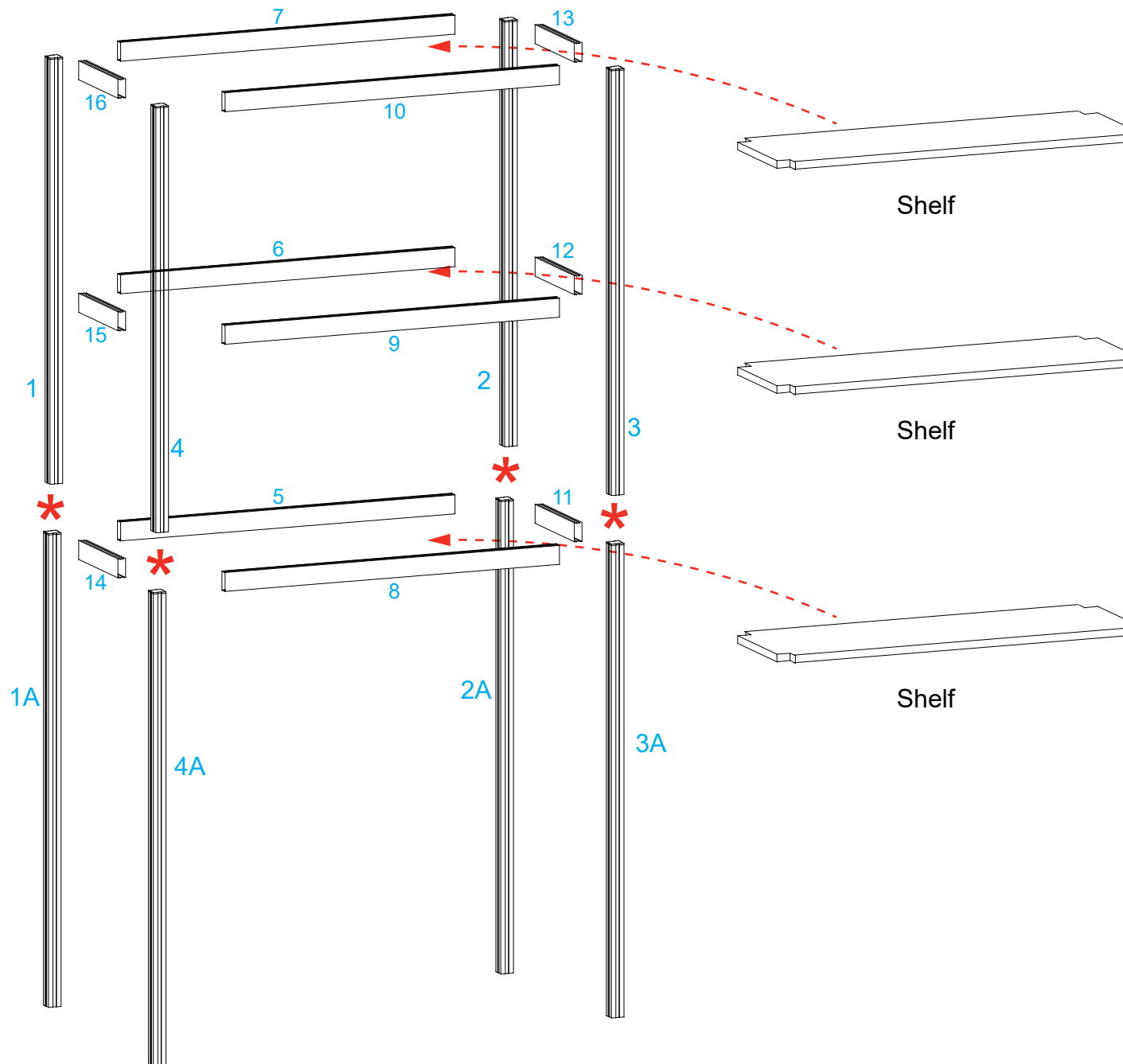
BACK VIEW



Item	Qty.	Description
1	1	40"h S40 Vertical Extrusion w/ cap
1A	1	45"h S40 Vertical Extrusion
2	1	40"h S40 Vertical Extrusion w/ cap
2A	1	45"h S40 Vertical Extrusion
3	1	40"h S40 Vertical Extrusion w/ cap
3A	1	45"h S40 Vertical Extrusion
4	1	40"h S40 Vertical Extrusion w/ cap
4A	1	45"h S40 Vertical Extrusion
5	1	33.418"w Z45 Horizontal Extrusion
6	1	33.418"w Z45 Horizontal Extrusion
7	1	33.418"w Z45 Horizontal Extrusion
8	1	33.418"w Z45 Horizontal Extrusion
9	1	33.418"w Z45 Horizontal Extrusion
10	1	33.418"w Z45 Horizontal Extrusion
11	1	9.48"w Z45 Horizontal Extrusion
12	1	9.48"w Z45 Horizontal Extrusion
13	1	9.48"w Z45 Horizontal Extrusion
14	1	9.48"w Z45 Horizontal Extrusion
15	1	9.48"w Z45 Horizontal Extrusion
16	1	9.48"w Z45 Horizontal Extrusion
--	3	36"w x 12"d Shelf

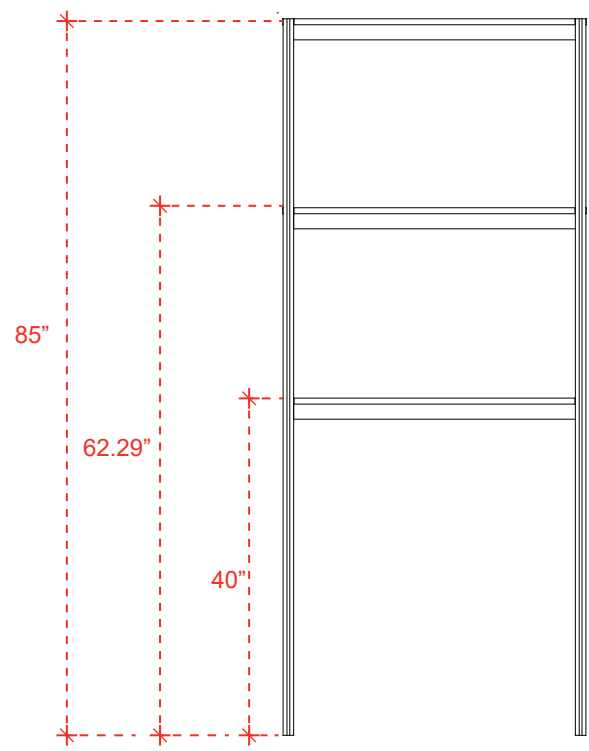
Steps:

- 1) Assemble verticals [1-1A], [2-2A], [3-3A], [4-4A] together.
See **S40 Connection** detail.
- 2) Assemble lower horizontals [5,8,11,14] between vertical assemblies [1/1A], [2/2A], [3/3A], [4/4A].
- 3) Place lower shelf onto horizontal extrusions.
- 4) Attach middle horizontals [6,9,12,15] between verticals & place middle shelf onto horizontals.
- 5) Connect upper horizontals [7,10,13,16] between verticals & place upper shelf onto horizontals.



When assembled

Place unit inside closet assembly when completed.



ELEVATION VIEW

FRONT VIEW

*** S40 Connection**

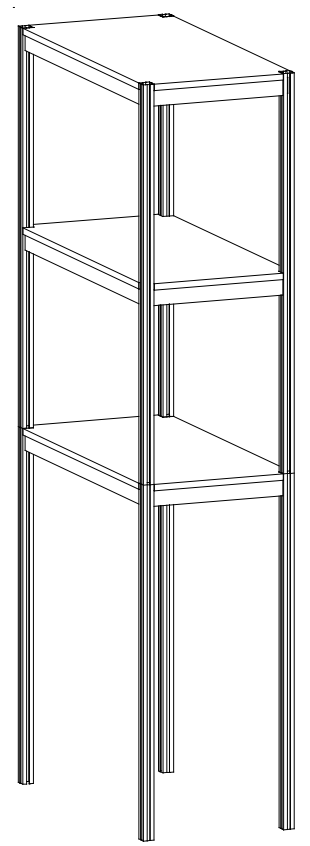
Slide extrusion over connector and rest on lower vertical; secure with screws.

**To prevent product loss, Keep all screws attached to connector piece after disassembling

Item	Qty.	Description
17	1	40"h S40 Vertical Extrusion w/ cap
17A	1	45"h S40 Vertical Extrusion
18	1	40"h S40 Vertical Extrusion w/ cap
18A	1	45"h S40 Vertical Extrusion
19	1	40"h S40 Vertical Extrusion w/ cap
19A	1	45"h S40 Vertical Extrusion
20	1	40"h S40 Vertical Extrusion w/ cap
20A	1	45"h S40 Vertical Extrusion
21	1	33.418"w Z45 Horizontal Extrusion
22	1	33.418"w Z45 Horizontal Extrusion
23	1	33.418"w Z45 Horizontal Extrusion
24	1	33.418"w Z45 Horizontal Extrusion
25	1	33.418"w Z45 Horizontal Extrusion
26	1	33.418"w Z45 Horizontal Extrusion
27	1	15.48"w Z45 Horizontal Extrusion
28	1	15.48"w Z45 Horizontal Extrusion
29	1	15.48"w Z45 Horizontal Extrusion
30	1	15.48"w Z45 Horizontal Extrusion
31	1	15.48"w Z45 Horizontal Extrusion
32	1	15.48"w Z45 Horizontal Extrusion
--	3	36"w x 18"d Shelf

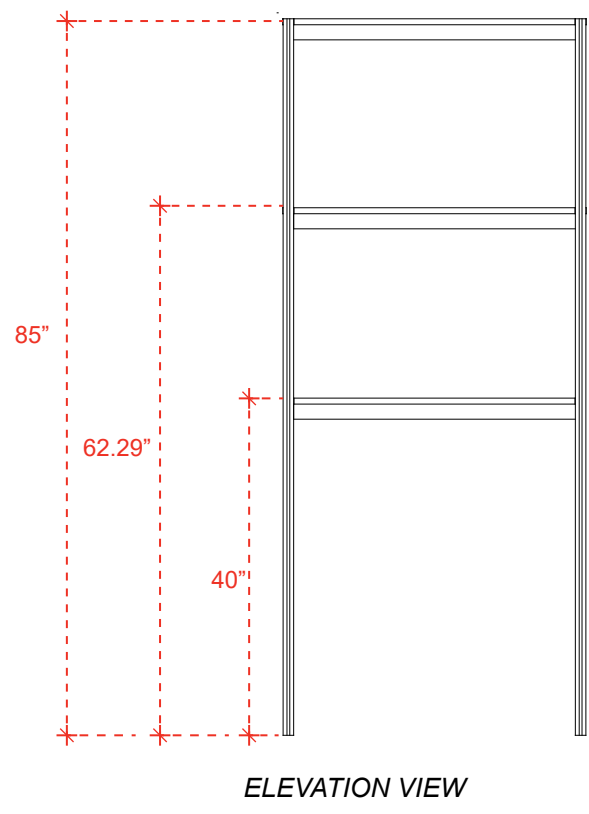
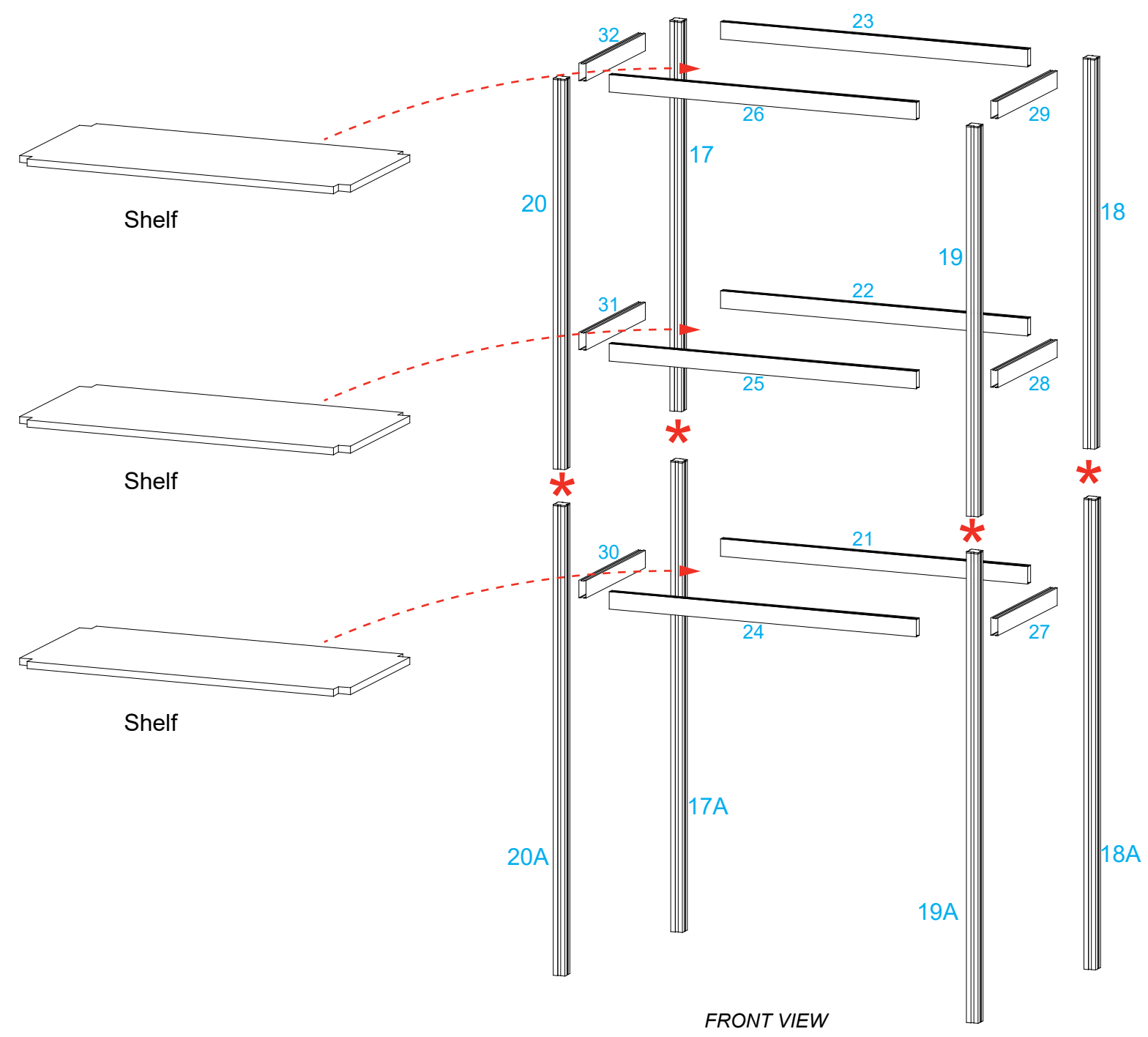
Steps:

- 1) Assemble verticals [17-17A], [18-18A], [19-19A], [20-20A] together.
See **S40 Connection** detail.
- 2) Assemble lower horizontals [21,24,27,30] between vertical assemblies [17/17A], [18/18A], [19/19A], [20/20A].
- 3) Place lower shelf onto horizontal extrusions.
- 4) Attach middle horizontals [22,25,28,31] between verticals & place middle shelf onto horizontals.
- 5) Connect upper horizontals [23,26,29,32] between verticals & place upper shelf onto horizontals.



When assembled

Place unit inside closet assembly when completed.



*** S40 Connection**

Slide extrusion over connector and rest on lower vertical; secure with screws.

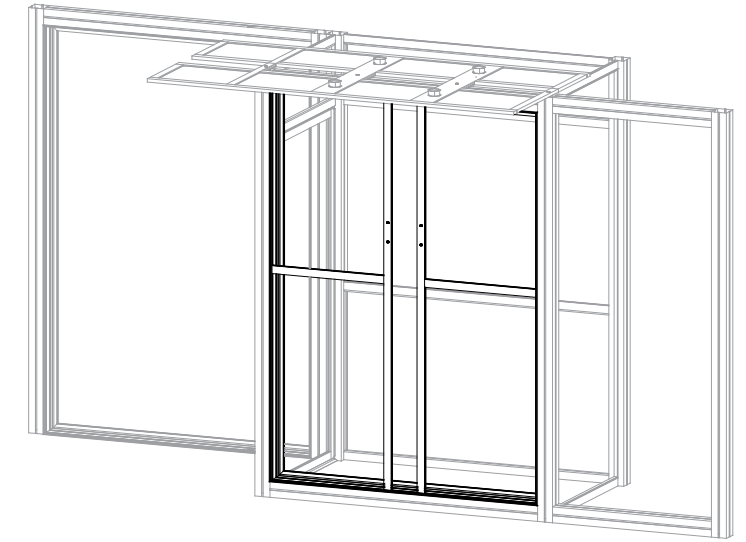
****To prevent product loss, Keep all screws attached to connector piece after disassembling**

Item	Qty.	Description
1	1	88.834"h CEI110 Vertical Extrusion
2	1	88.834"h CEI110 Vertical Extrusion
3	1	64"w CEI110 Horizontal Extrusion
4	1	64"w CEI110 Horizontal Extrusion
5	1	88.085"h Z45 Vertical Extrusion
6	1	88.085"h Z45 Vertical Extrusion
7	1	26.749"w Z45 Horizontal Extrusion
8	1	26.749"w Z45 Horizontal Extrusion

Steps:

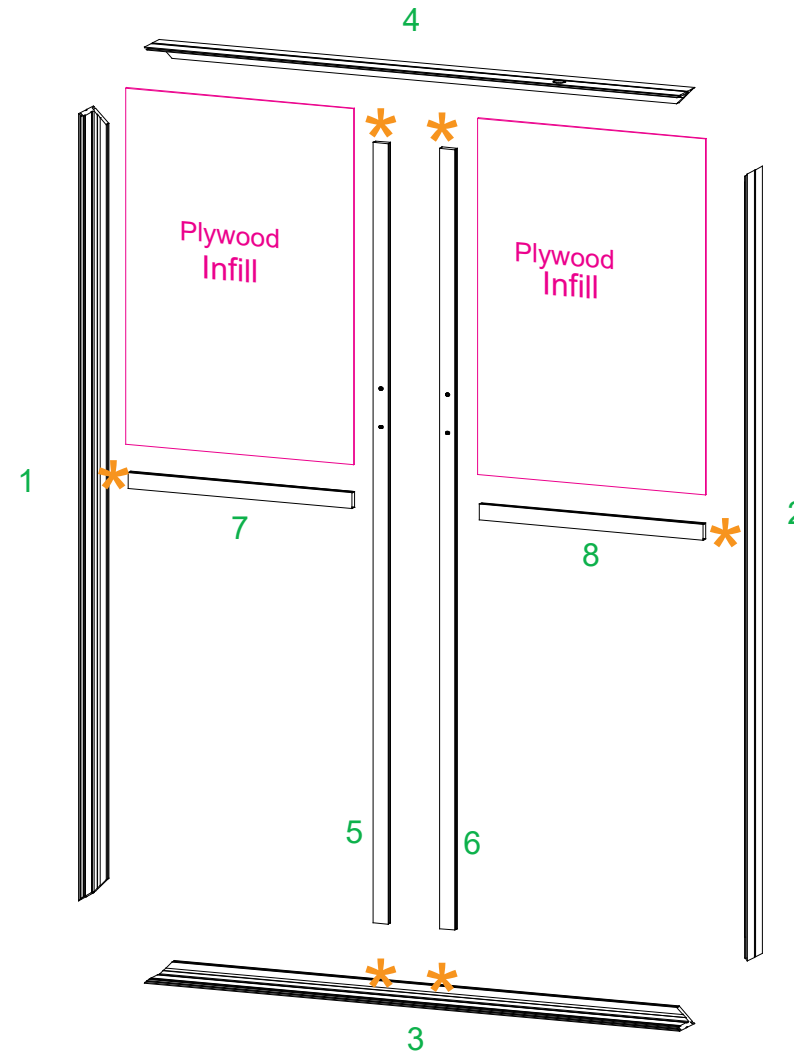
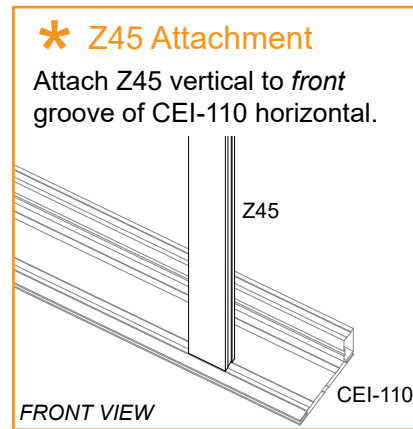
Refer to the CEI110 Frame Assembly general information page.

- 1) Assemble verticals [1,2] between horizontals [3,4] using corner connectors.
- 2) Attach verticals [5,6] between horizontals [3,4], inserting plywood **infills** as shown.
See **Z45 Attachment** detail.
- 3) Connect horizontals [7,8] between verticals [1,5], [2,6], securing infills.



Section Being Assembled is Highlighted in BLACK

Assemble frame flat on ground.

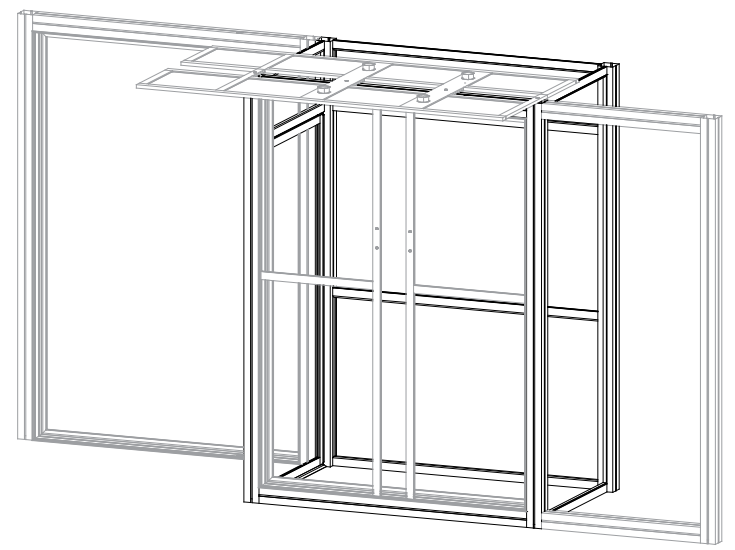


Closet Frame

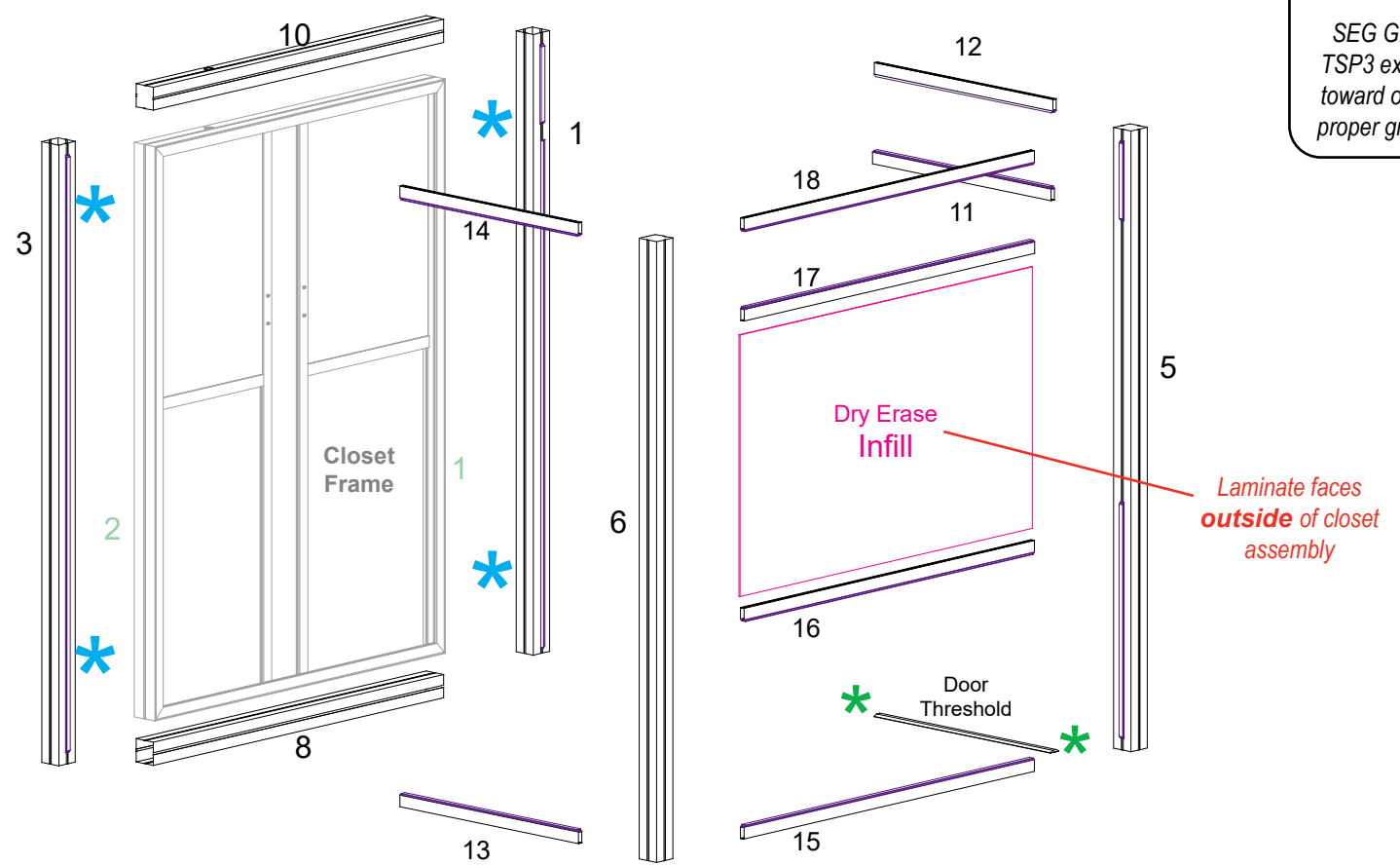
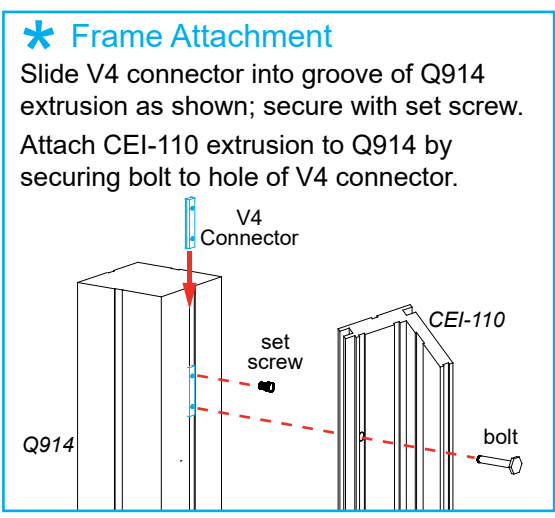
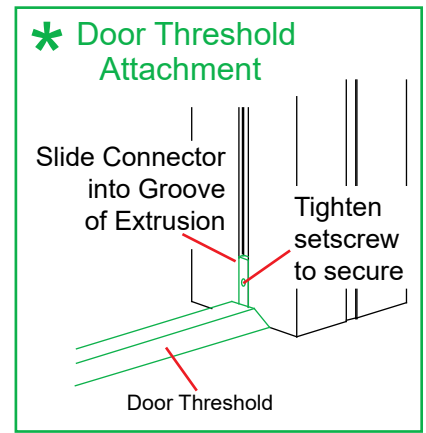
FRONT VIEW

Item	Qty.	Description
1	1	96" h Q914 Vertical Extrusion w/ TSP3 & Door Stopper
3	1	96" h Q914 Vertical Extrusion w/ TSP3
5	1	96" h Q914 Vertical Extrusion w/ TSP3 & Door Hinges
6	1	96" h Q914 Vertical Extrusion w/ TSP3
8	1	64" w Q914 Horizontal Extrusion
10	1	64" w Q914 Horizontal Extrusion
11	1	37" w Z45 Horizontal Extrusion w/ TSP3
12	1	37" w Z45 Horizontal Extrusion w/ TSP3
13	1	37" w Z45 Horizontal Extrusion w/ TSP3
14	1	37" w Z45 Horizontal Extrusion w/ TSP3
15	1	64" w Z45 Horizontal Extrusion w/ TSP3
16	1	64" w Z45 Horizontal Extrusion w/ TSP3
17	1	64" w Z45 Horizontal Extrusion w/ TSP3
18	1	64" w Z45 Horizontal Extrusion w/ TSP3
--	1	37" w Door Threshold

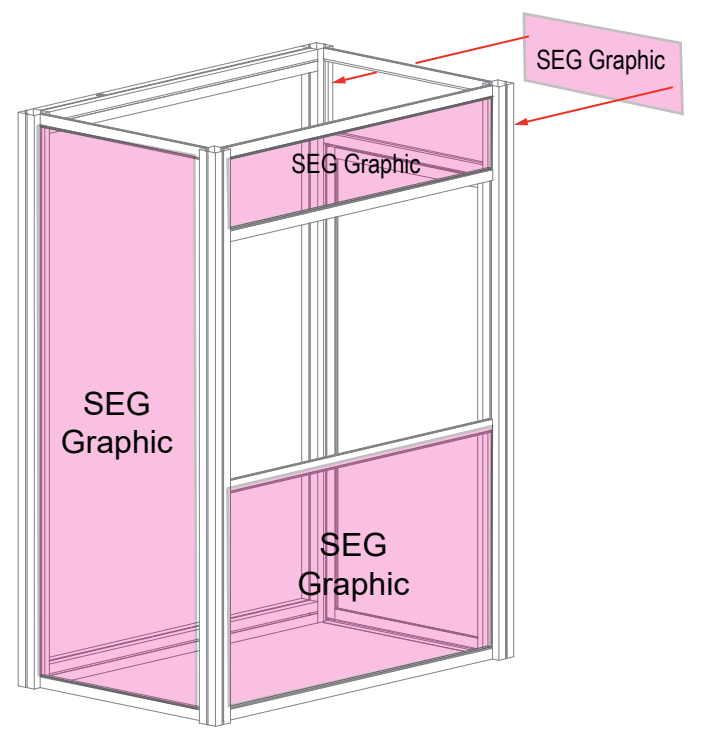
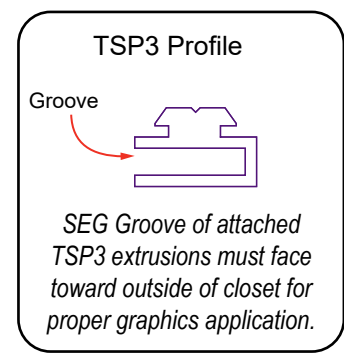
- Steps:**
- 1) Connect horizontals [8,10] & Closet Frame assembly between verticals [1,3] as shown. See [Frame Attachment](#) detail.
 - 2) Assemble horizontals [11,12] & Door Threshold between verticals [1,5]. See [Door Threshold](#) detail.
 - 3) Connect horizontals [13,14] between verticals [3,6]
 - 4) Attach horizontals [15,16,17,18] between verticals [5,6], inserting **infill**.
 - 5) Apply SEG graphics to sides & back of closet assembly as shown.
Refer to the SEG Installation general information page.



Section Being Assembled is Highlighted in BLACK



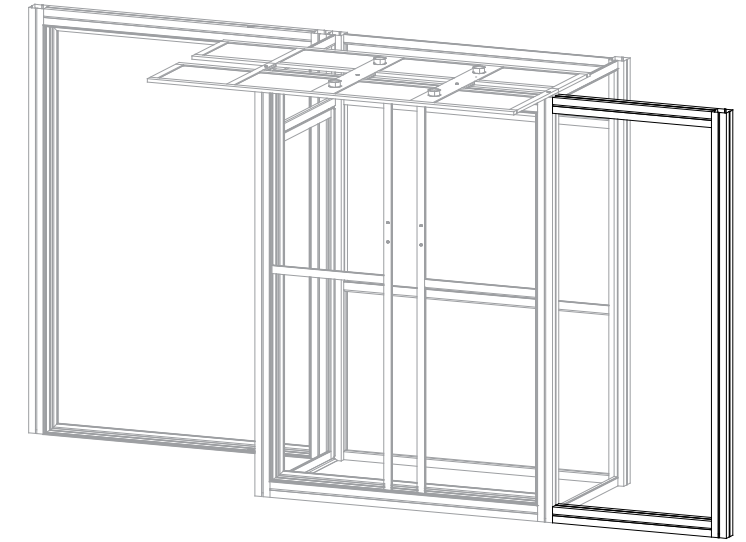
BACK VIEW



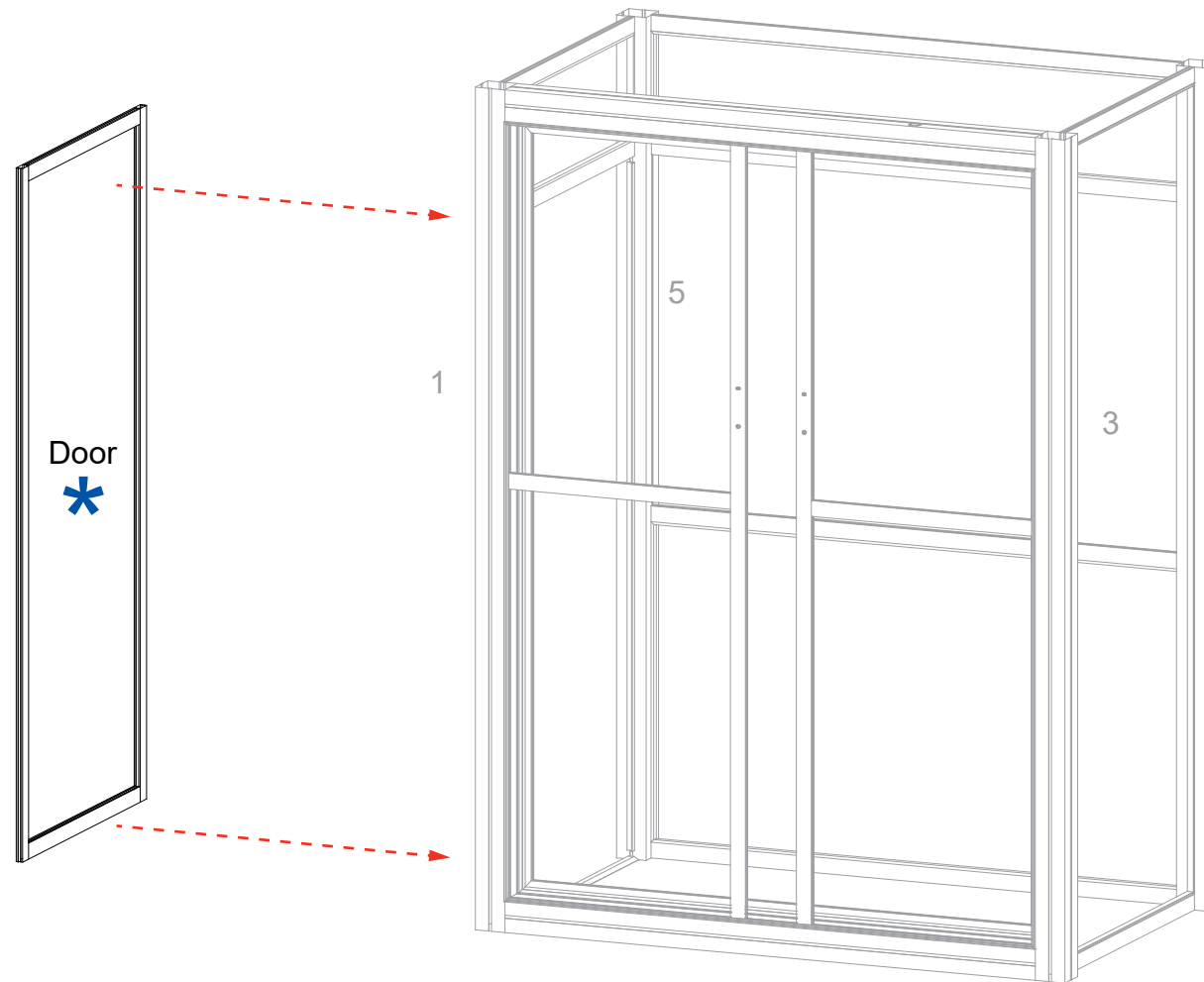
BACK VIEW

Item	Qty.	Description
7	1	96" h Q914 Vertical Extrusion
19	1	38" w Q914 Horizontal Extrusion
20	1	38" w Q914 Horizontal Extrusion
--	1	Door

- Steps:
- 1) Connect horizontals [19,20] between verticals [3] & [7], inserting **infill**.
 - 2) Attach Door between verticals [1] & [5]. See [Door Attachment](#) detail.



Section Being Assembled is Highlighted in BLACK



FRONT VIEW



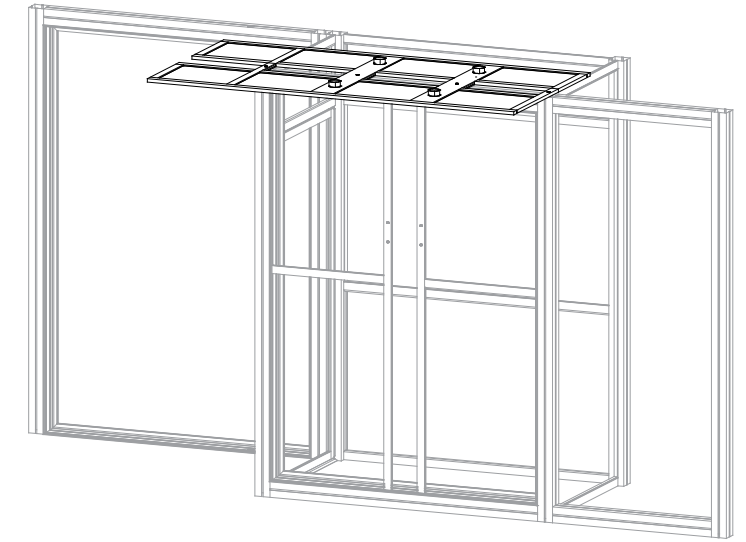
*** Door Attachment**

Slide pin into hinge attached to vertical.
Slide door hinge over pin.

Labels: Door Hinge, Pin, Hinge

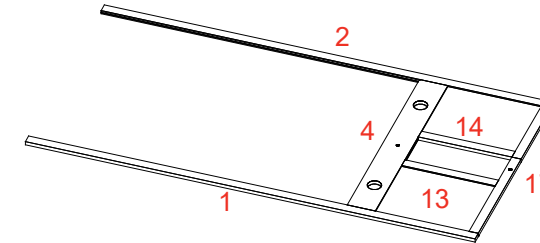
Item	Qty.	Description
1	1	87.630"w Z31 Horizontal Extrusion
2	1	87.630"w Z31 Horizontal Extrusion
3	1	39.917"w Z140 Horizontal Extrusion w/ puck lights
4	1	39.917"w Z140 Horizontal Extrusion w/ puck lights
5	1	39.917"w Z45 Horizontal Extrusion w/ hole
7	1	18.256"w Z31 Horizontal Extrusion
8	1	18.256"w Z31 Horizontal Extrusion
9	1	18.256"w Z31 Horizontal Extrusion
10	1	18.256"w Z31 Horizontal Extrusion
11	1	18.256"w Z31 Horizontal Extrusion
12	1	18.256"w Z31 Horizontal Extrusion
13	1	18.256"w Z31 Horizontal Extrusion
14	1	18.256"w Z31 Horizontal Extrusion
15	1	14.5"w Z41 Horizontal Extrusion
16	1	14.5"w Z41 Horizontal Extrusion
17	1	39.917"w Z41 Horizontal Extrusion w/ hole
--	6	18.756" x 15" Plex Infill
--	2	16.965" x 15" Plex Infill

- Steps:
- 1) Assemble extrusion [17] between extrusions [1,2].
 - 2) Attach extrusions [13,14] to extrusion [17].
 - 3) Insert infills between [1,13], [2,14].
 - 4) Connect extrusion [4] between [1,2], securing infills.
 - 5) Attach [7,8] to [1]; insert infills between [1,7], [2,8].
 - 6) Connect extrusion [3] between [1,2], securing infills.
 - 7) Attach [9,10] to [3]; insert infills between [1,9], [2,10].
 - 8) Connect extrusion [5] between [1,2], securing infills.
 - 9) Attach [11,12] to [5]; insert infills between [1,11], [2,12].
 - 10) Connect extrusion [15] between [1,11] & attach extrusion [16] between [2,12], securing infills.

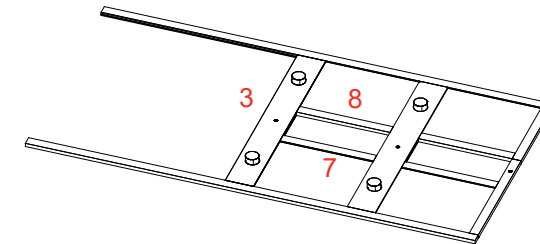


Section Being Assembled is Highlighted in BLACK

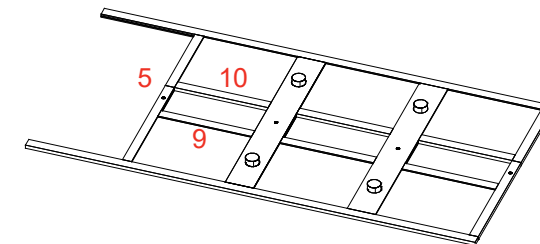
STEPS 1 - 4:



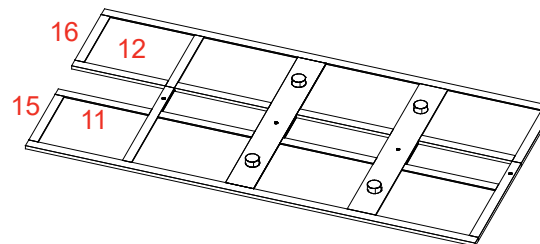
STEPS 5,6:



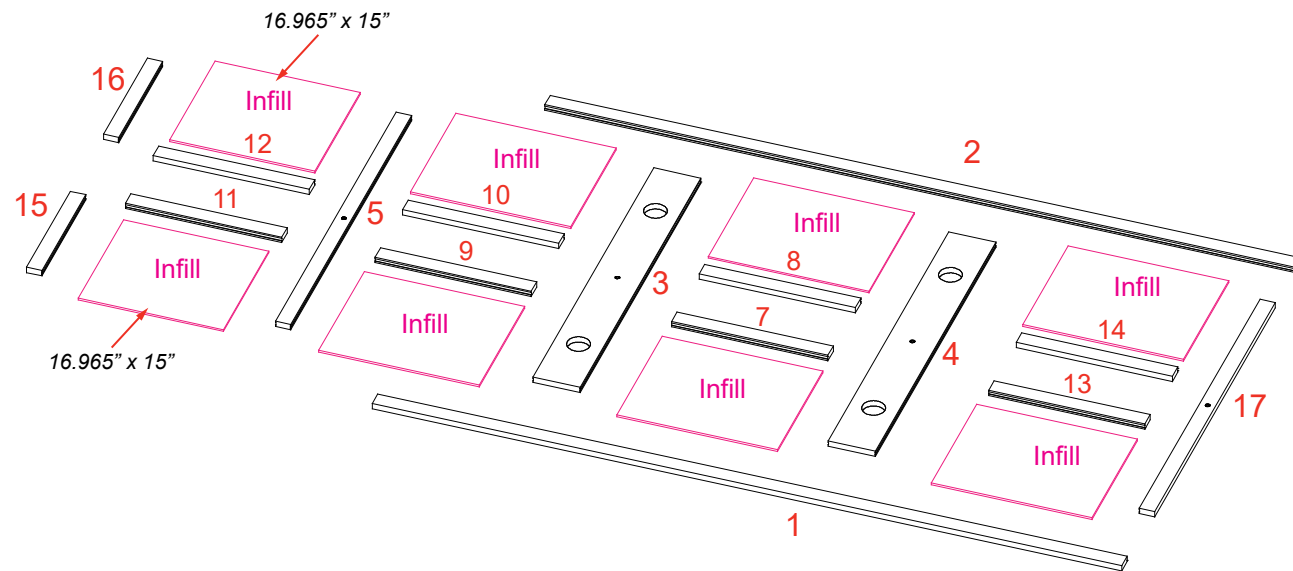
STEPS 7,8:



STEPS 9,10:



Canopy Frame ships assembled.
DO NOT DISASSEMBLE

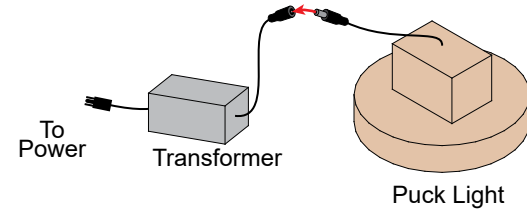


Steps:

- 1) Connect canopy extrusions [3] & [4] to top of closet horizontal [10], using V4 connectors. See [V4 Connection](#) detail.
- 2) Connect power cords to Puck Lights in canopy horizontals [3] & [4]. See [Puck Light Connection](#) detail.

*** Puck Light Connection**

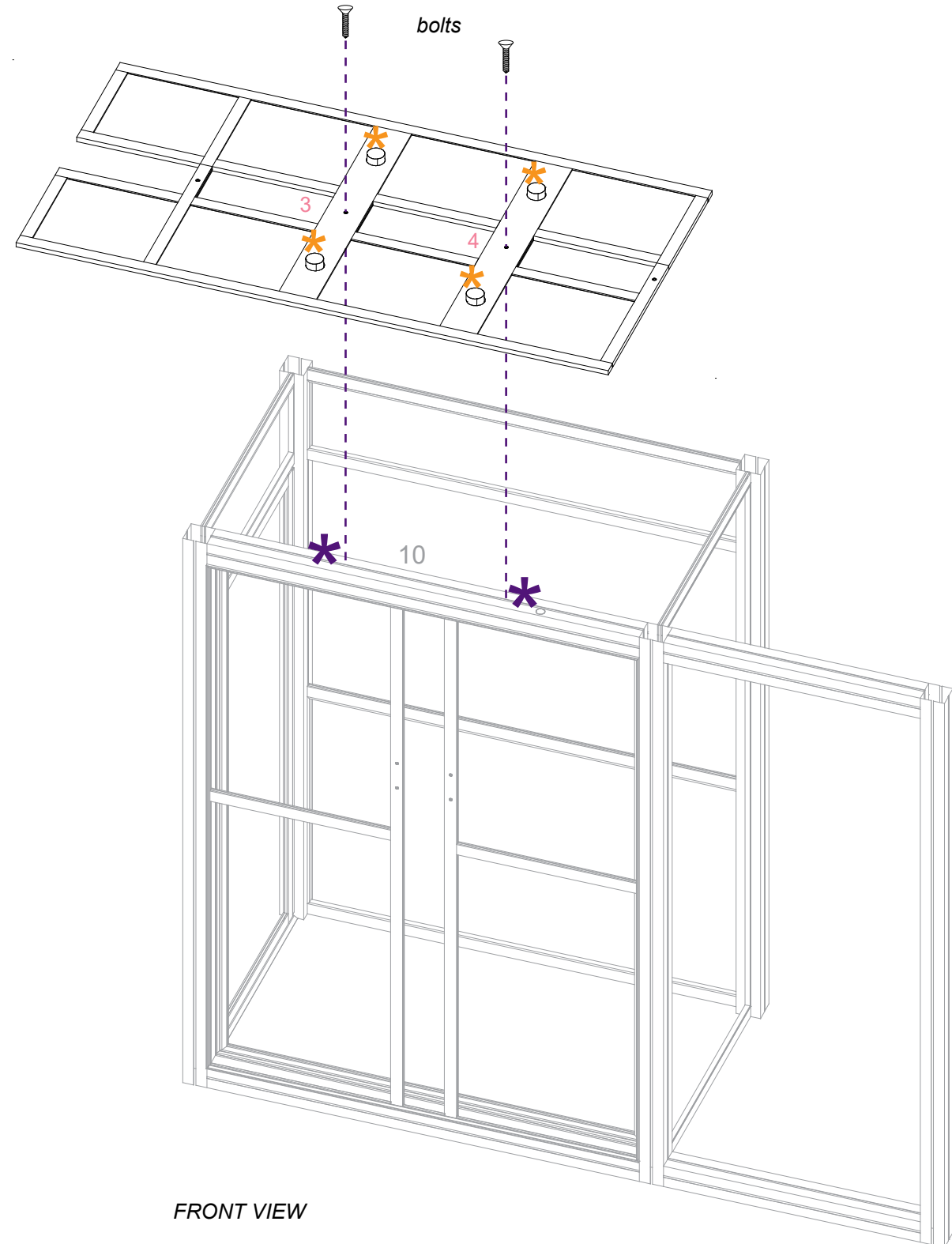
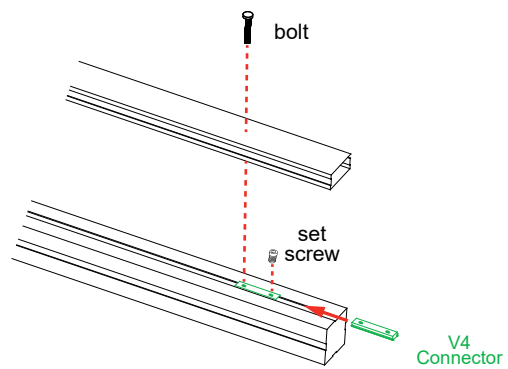
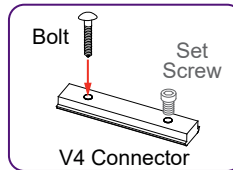
Connect transformer to puck lights, then attach transformer to power source.



*** V4 Connection**

Slide V4 connector into groove of Q914 extrusion; tighten set screw to secure in place.

Connect canopy extrusion to V4 connector using bolt.



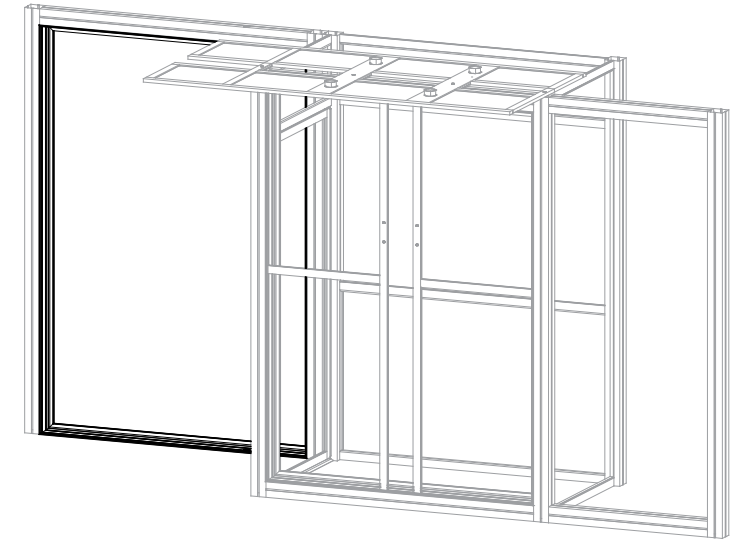
FRONT VIEW

Item	Qty.	Description
9	1	92.417”h CEI110 Vertical Extrusion
10	1	92.417”h CEI110 Vertical Extrusion
11	1	64”w CEI110 Horizontal Extrusion
12	1	64”w CEI110 Horizontal Extrusion

Steps:

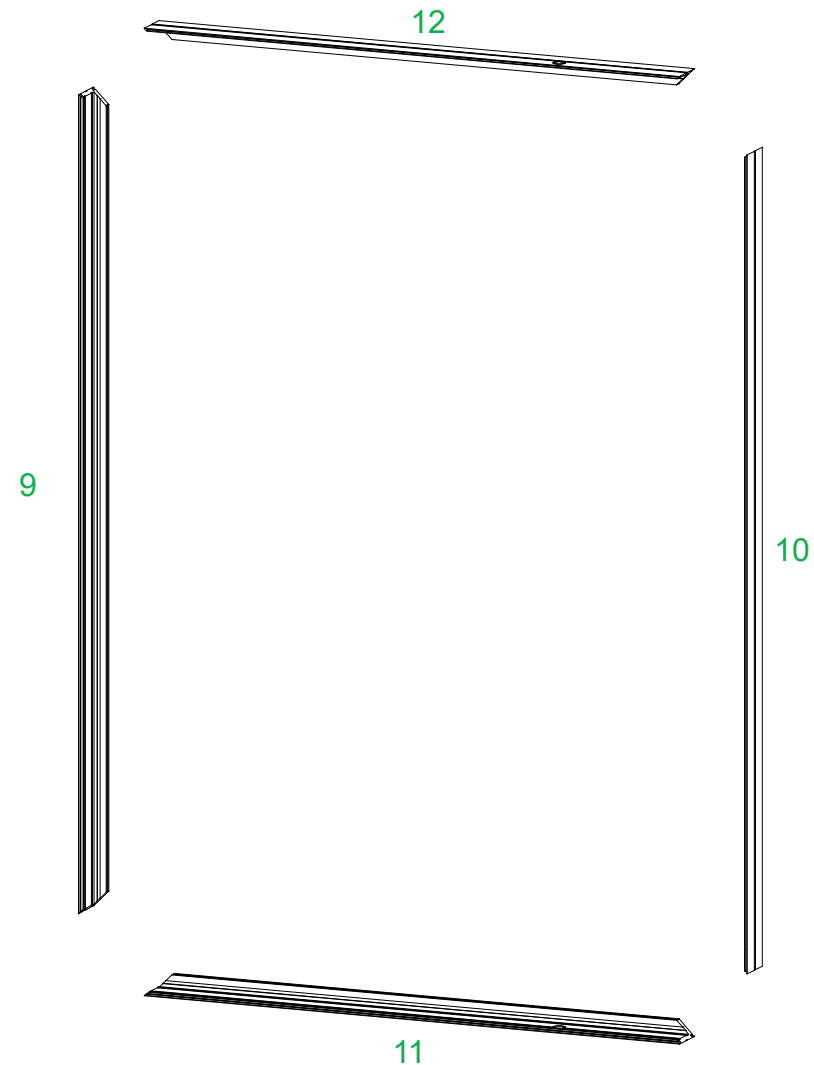
Refer to the CEI110 Frame Assembly general information page.

- 1) Connect verticals [9,10] between horizontals [11,12] using corner connectors.



Section Being Assembled is Highlighted in BLACK

Assemble frame flat on ground.

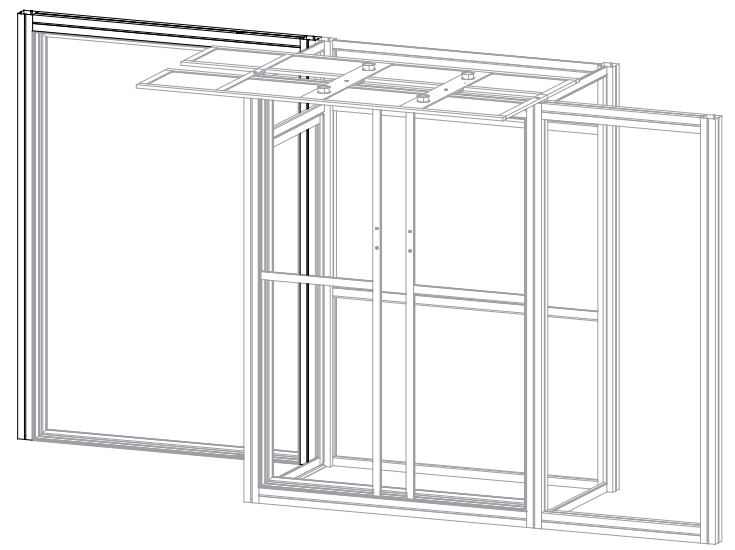


Backwall Frame

FRONT VIEW

Item	Qty.	Description
2	1	96" h Q914 Vertical Extrusion
4	1	96" h Q914 Vertical Extrusion
9	1	64" w Q914 Horizontal Extrusion
--	1	96" h V31 Connector

- Steps:
- 1) Attach vertical [4] to closet vertical [5] using V31 connector. See **V31 Connector** detail.
 - 2) Connect horizontal [9] & backwall frame assembly between verticals [2,4]. See **Frame Attachment** detail.



Section Being Assembled is Highlighted in BLACK

*** V31 Connector**

V31 Connector
Setscrew
Tighten setscrew to secure

Snap connector into groove of extrusion to connect verticals together side by side.

Extrusion Spline Removal

Connector
Screws

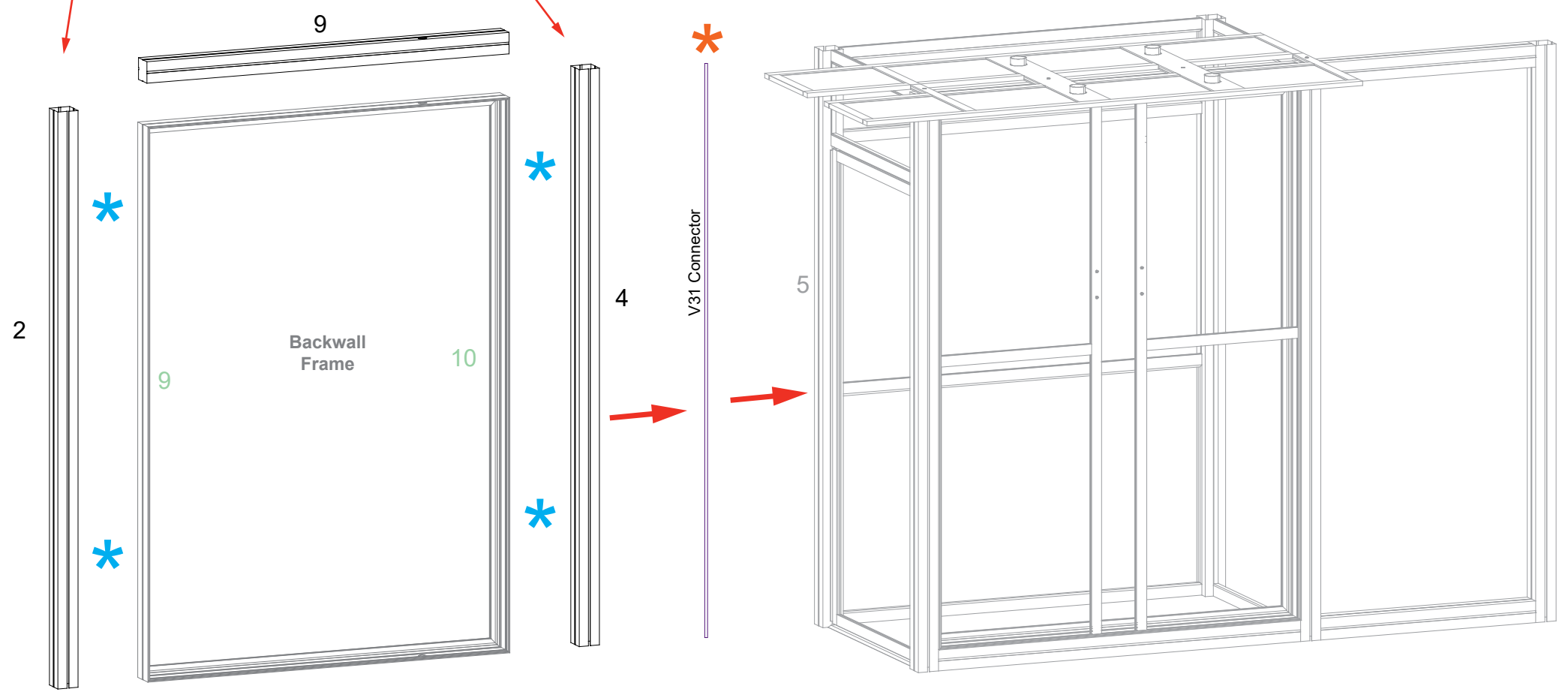
Remove spline connector when converting from 20' x 20' configuration.

****To prevent product loss, Keep all screws attached to connector piece after disassembling**

*** Frame Attachment**

Slide V4 connector into groove of Q914 extrusion as shown; secure with set screw. Attach CEI-110 extrusion to Q914 by securing bolt to hole of V4 connector.

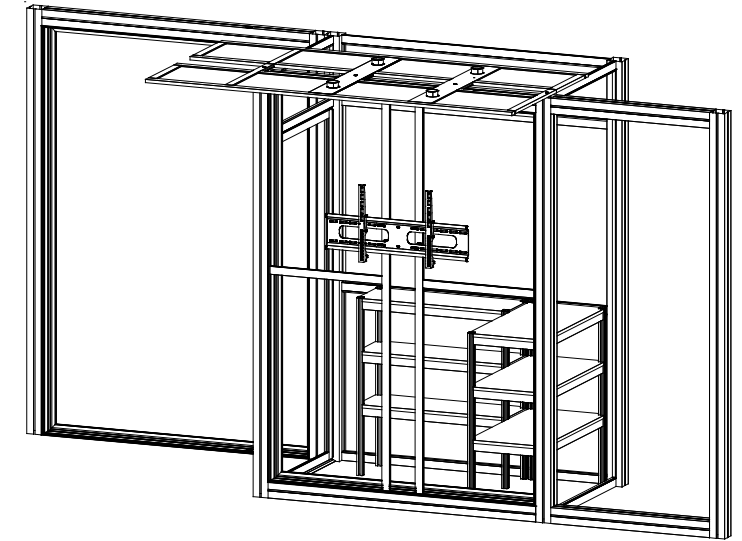
V4 Connector
Q914
set screw
CEI-110
bolt



FRONT VIEW

Steps:

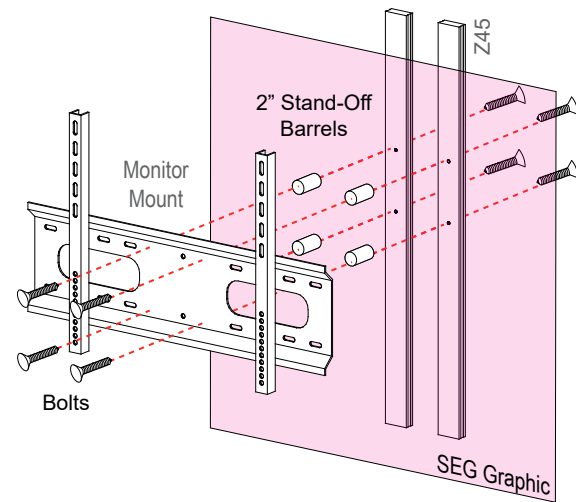
- 1) Apply SEG graphics to front of closet & backwall frames.
Refer to the SEG Installation general information page.
- 2) Install Monitor Mount to verticals [5,6] of closet frame.
See **Monitor Mount Attachment** detail.



Completed Assembly

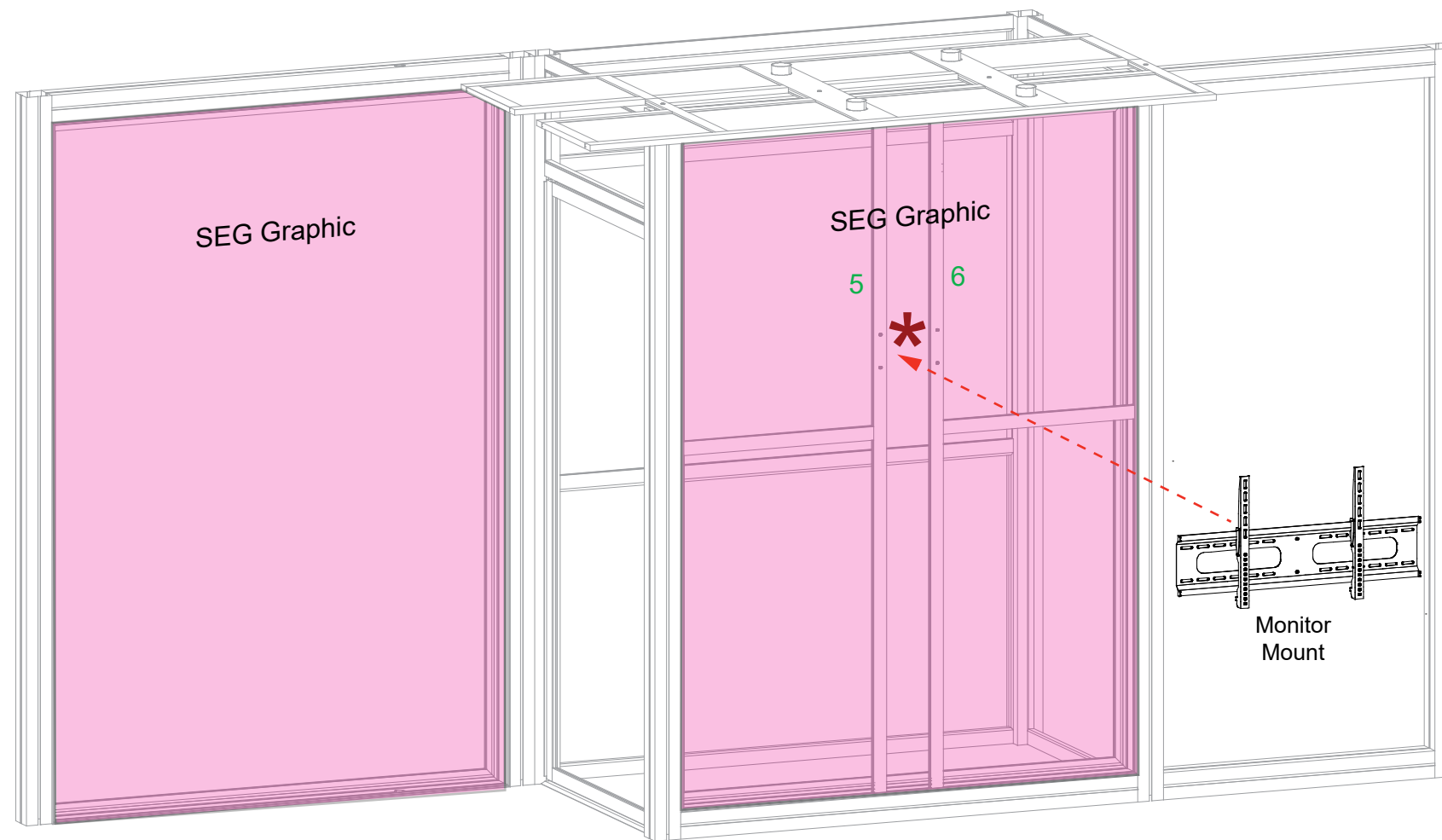
*** Monitor Mount Attachment**

Attach Stand-off barrels to Z45 extrusions using bolts.



Connect Monitor Mount to Standoff Barrels using Bolts.

Note: Monitor mounts install through SEG graphic.



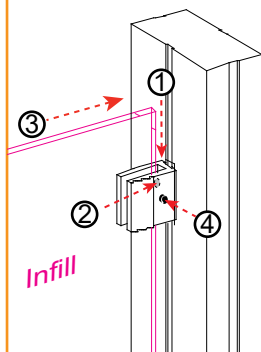
FRONT VIEW

Item	Qty.	Description
49	1	78" h Q914 Vertical Extrusion
50	1	78" h Q914 Vertical Extrusion
51	1	22.835" w Z45 Horizontal Extrusion
52	1	22.835" w Z45 Horizontal Extrusion
C	1	30" w x 38" h x 24" d Counter
--	1	30" w x 6" h Mounting Plate

Steps:

- 1) Assemble horizontals [51,52] between verticals [49,50], inserting **infill**.
- 2) Attach Cabinet [C] to verticals [49,50]. See **Cabinet Attachment** detail.
- 3) Install Monitor Mount to verticals [49,50] using mounting plate. See **Monitor Mount Attachment** detail.
- 4) Connect Header Graphic to top of horizontal [52] using A10 clamps. See **A10 Clamp Attachment** detail.

*** A10 Clamp Attachment**

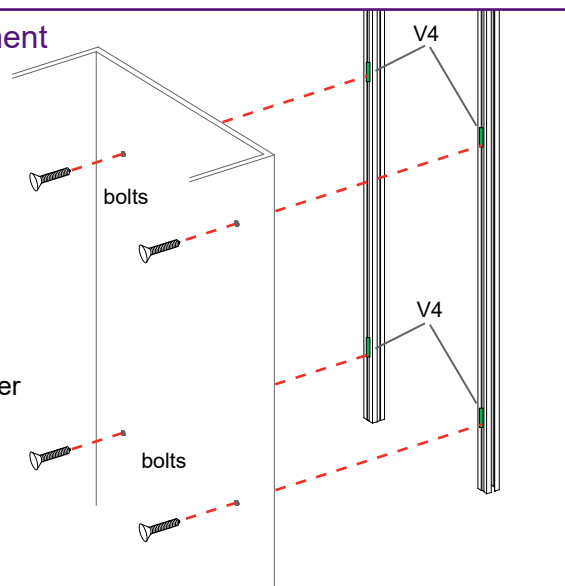


- 1) Slide A10 connector into groove of extrusion.
- 2) Tighten set screw to secure A10 to extrusion.
- 3) Insert Infill into clamp.
- 4) Tighten knob to secure infill in place.

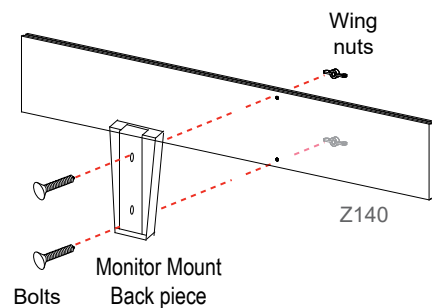
*** Cabinet Attachment**

Slide V4 connectors into groove of vertical extrusion; tighten set screws to secure V4 connectors in place.

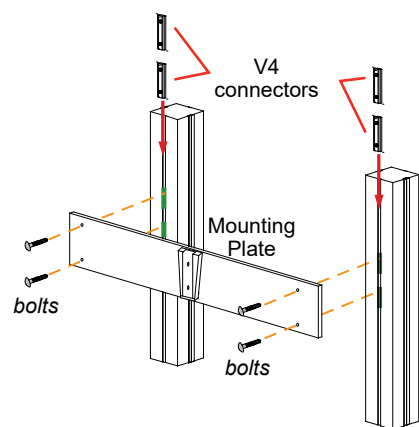
Attach back of Cabinet to V4 connectors using bolts from inside Counter assembly.



*** Monitor Mount Attachment**



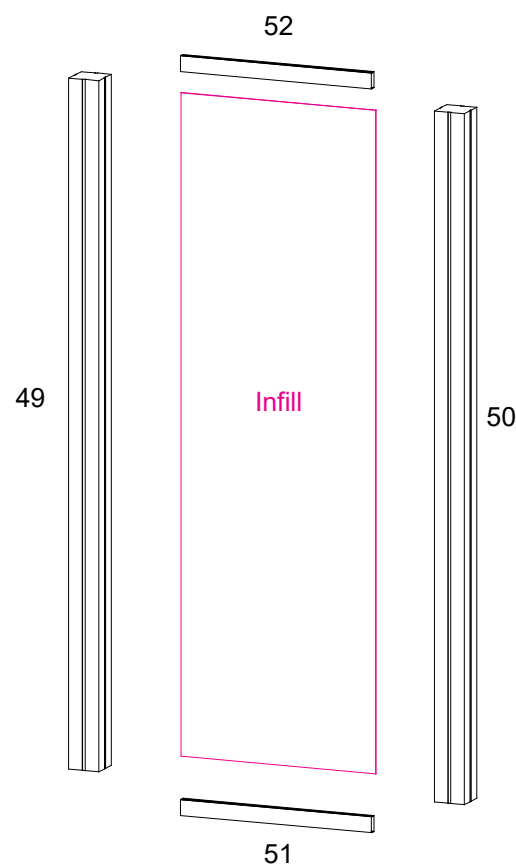
Attach Monitor Mount back piece to mounting plate, using bolts.



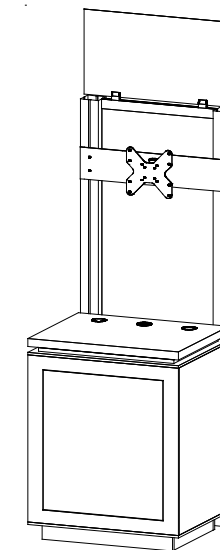
Slide V4 connectors into groove of vertical extrusions; secure with set screw. Attach Mounting Plate to connectors using bolts.



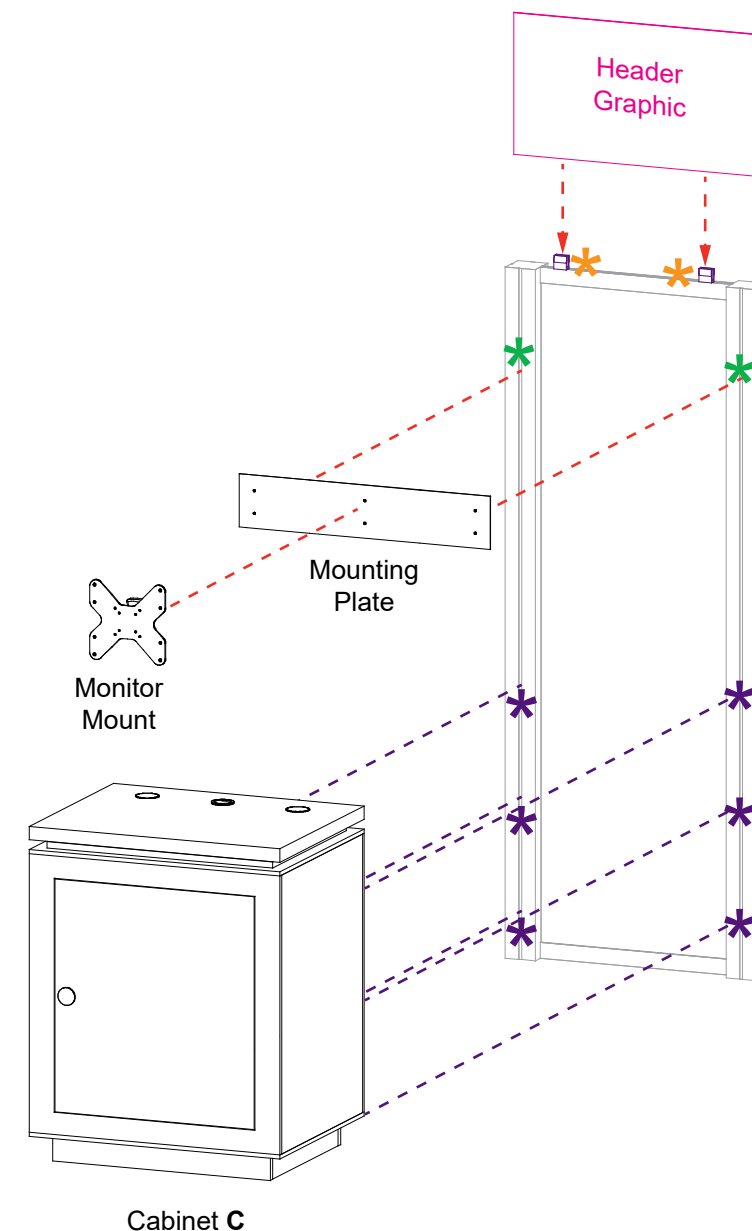
Slide monitor mount into back piece.



FRONT VIEW

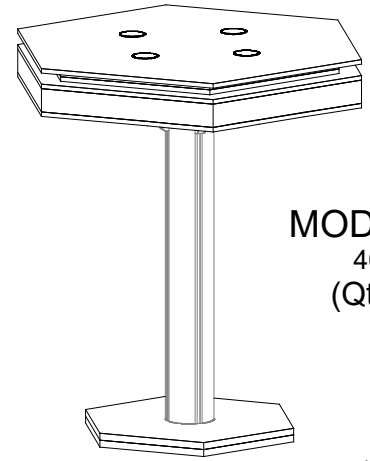


When assembled



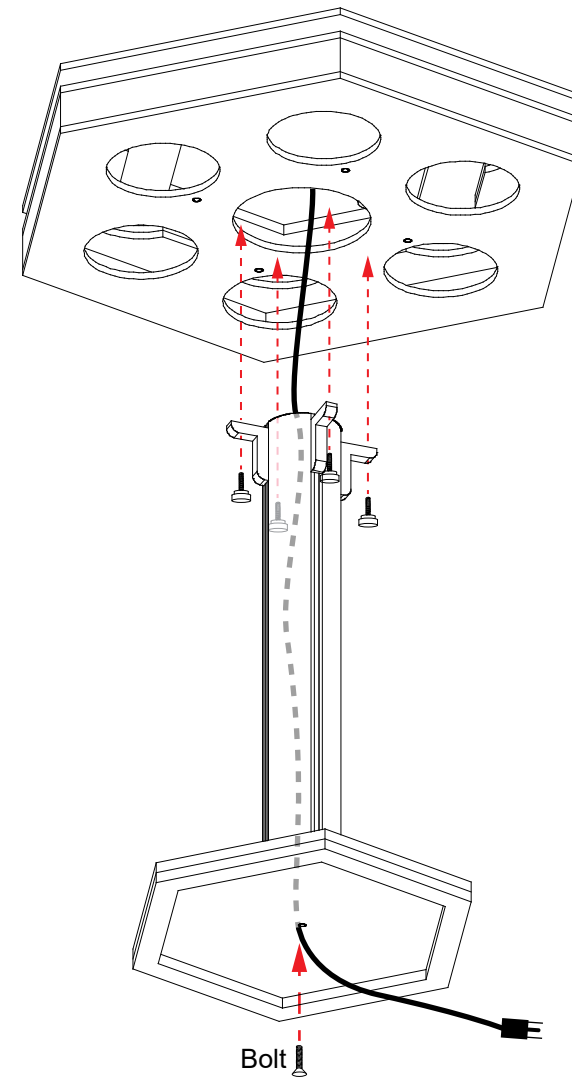
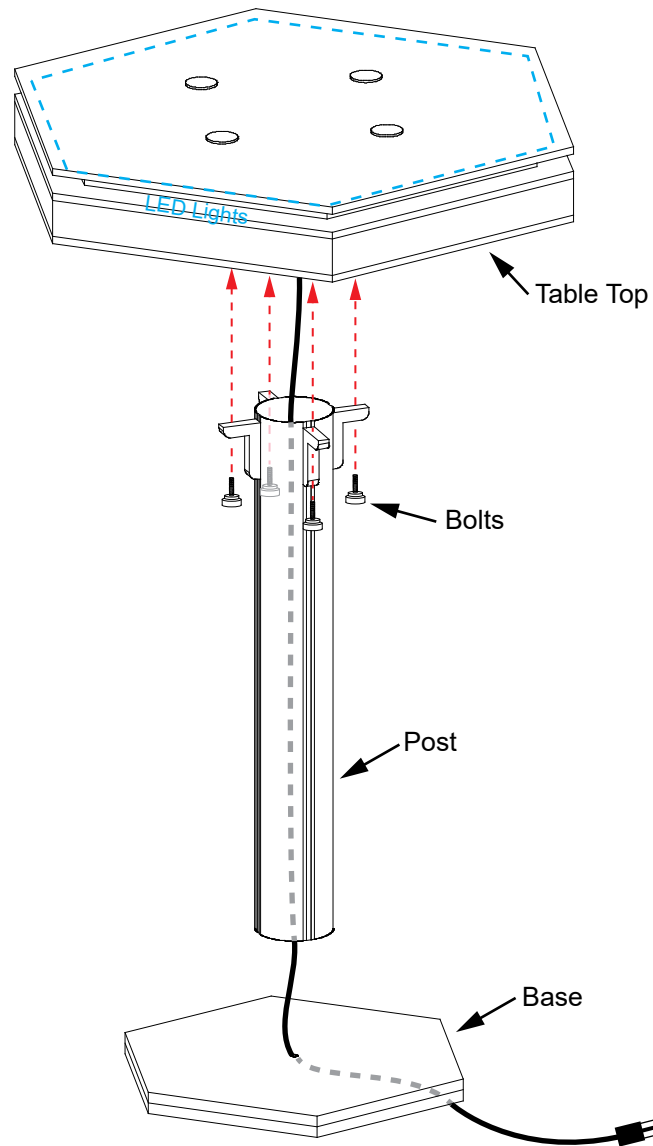
Steps:

- 1) Connect base to post, using bolt.
- 2) Route cord from table top through post and base.
- 3) Connect table top to post, with fixed brackets, using black bolts.
- 4) Connect power cords to RGB LED lights in counter.



MOD-1465
40" h
(Qty. 1)

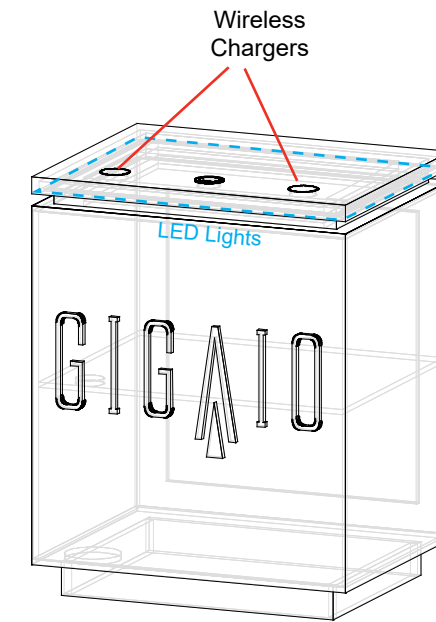
When assembled



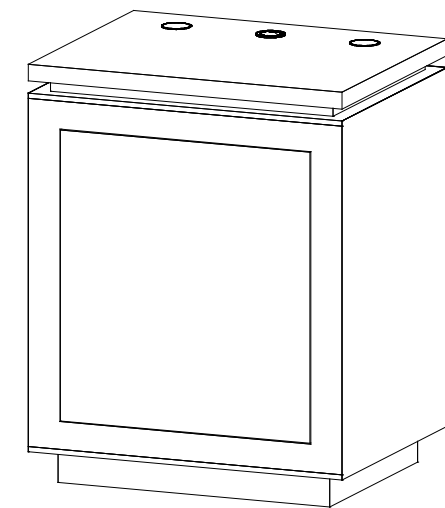
UNDERSIDE VIEW

Steps:

- 1) Connect power cords to LED lights & wireless charging pads.



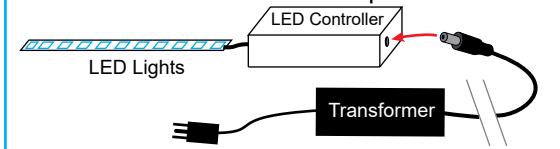
FRONT VIEW



BACK VIEW

*** RGB LED Power Cord Attachment**

Connect transformer to RGB LED Controller. Then connect transformer to power source.



Refer to the general information pages for RGB remote controller instructions.