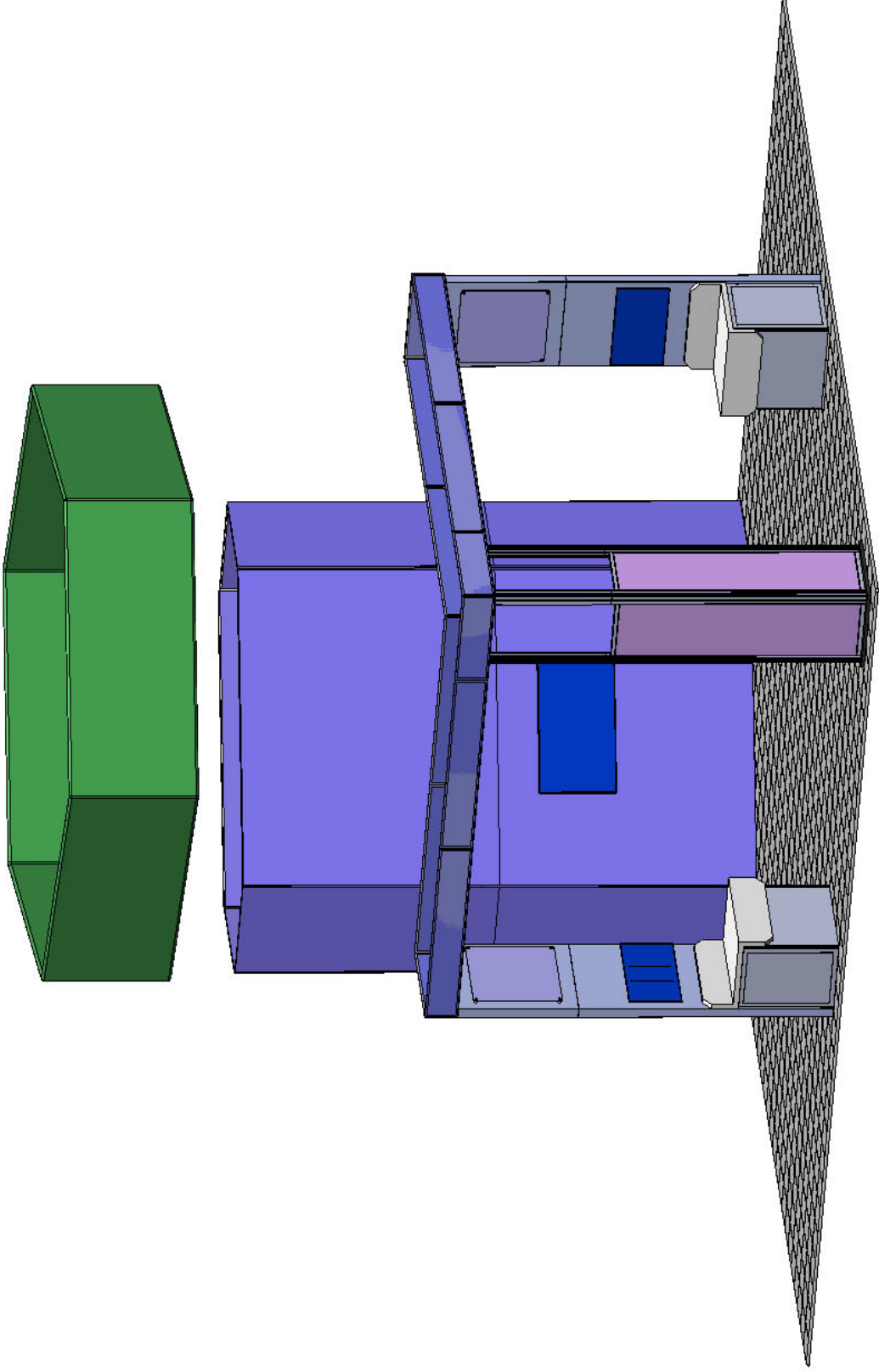


CLIENT CASPR		ALL DIMENSIONS SHOW FINISHED GRAPHIC SIZES. PLEASE REFER TO GRAPHIC SPECIFICATION GUIDE FOR ARTWORK REQUIREMENTS	GRAPHIC LAYOUT
------------------------	--	---	-----------------------



**G7 Print
Certified**



ORBUS, LLC
ISO 9001: 2015
ISO 14001: 2015
10009274 & 10011571



In order to keep your projects moving forward and delivered on time.

Your artwork is due:

4/25/2019

All artwork will need to be available by noon central standard time on that date.

Late artwork will result in adjusted preview and ship dates or the following fees will be added to keep original dates.

Please keep in mind that this policy also applies to late e-proof or hard copy proof approvals.

QUANTITY OF GRAPHICS

1-10
11-20
21-30
31-40
41+

LATE ARTWORK/LATE APPROVAL FEE PER DAY

CLIENT CASPR		
		ALL DIMENSIONS SHOW FINISHED GRAPHIC SIZES. PLEASE REFER TO GRAPHIC SPECIFICATION GUIDE FOR ARTWORK REQUIREMENTS
		ARTWORK DUE DATE



**G7 Print
Certified**



ORBUS, LLC
ISO 9001: 2015
ISO 14001: 2015
10009274 & 10011571

ACCEPTABLE FILE FORMATS

Illustrator CC or below
Photoshop CC or below or InDesign CC or below (not preferred)

High quality, editable PDFs, Photoshop and Illustrator files are preferred, as they are more suitable applications for large format printing. Art time will be charged if files need to be fixed or altered to meet guidelines. When sending files, please be sure to include all support art (fonts, linked images, etc).

Please note that Illustrator special effects such as glows, transparencies, or drop shadows are not recommended. These effects sometimes have unpredictable results when printing. Photoshop is preferred when using these special effects.

FONT SPECIFICATIONS

Fonts must be converted to outlines. If fonts are not created to outlines, please provide Macintosh or TrueType fonts. If changes need to be made in the file, please provide the fonts and a version of the file with editable type.

COLOR SPECIFICATIONS

Please provide all vector files (Illustrator and InDesign) in CMYK format. Please supply all raster artwork (Photoshop files, jpgs, tiffs) in RGB format for the most accurate color output. Please provide a hard copy proof of the files being printed for color accuracy and a PDF layout for file layout accuracy.

If Pantone colors need to be matched please specify on purchase order or hard copy reference. All critical Pantone colors need to be called out in the file as solid coated swatches. If multiple Pantone swatches are used in the file, all will be matched to solid coated unless otherwise specified.

Please feel free to submit catalogs, brochures, printed proofs, etc. to use for a color reference. If color matching is required for Photoshop files please provide a layered file. Art time may be charged to correct flattened Photoshop files.

If color matching to existing graphics, we will need those back to review. Please contact your sales representative for a case number.

We guarantee color matching on all hard copy proofs, specified Pantone colors and client-supplied hard copy proofs. Orders without indication of Pantone colors, supplied hard copy proofs or requested hard copy proofs are not guaranteed for color.

RESOLUTION

All raster files (either print files or linked files) must be at 100-120 pixels per inch at 100%.

VINYL CUT GRAPHICS

Artwork must be set-up as vector files with fonts created to outlines for all cut vinyl. Please specify Avery color number for solid color vinyl or PMS color for dsg printed and cut vinyl.

SUBMITTING ARTWORK FILES

Files are accepted via Email (up to 5MB), FTP site, DVD, CD or File transfer site such as WeTransfer or Hightail.

Files can be uploaded to:
www.handbookart.com

Please reference the FTPsite guidelines for more information.

MURALS | POPUP GRAPHICS

Coyote™ mural files must be built as one file. Please note where panel breaks are located and try to minimize the amount of type that crosses over the panel breaks.

BLEED SPECIFICATIONS

All graphics produced require specific bleeds. Below is a general outline for the required bleeds. Mural Popup Files - 1/2" bleed around the perimeter.

Hopups™, Formulates™, Vector Frame™ - 2" bleed around the perimeter. Please keep all logos, type, and critical information at least 2" in from the visual edge of the graphic.

Fabric Structures - 5" bleed around the perimeter.

Banner Stand Graphics - each product has specific bleed requirements. Please refer to graphic template for specific information. Different printing processes may require different bleeds. All banner stand graphics printed on 8oz. Oxford will require an extra 1" bleed around the perimeter.

Custom Dye-Sub Flag Graphics - 2" bleed left & right sides, 4" bleed top & bottom.

Orbital Express™ Truss Graphics, UV-1/2" bleed around the perimeter.

Orbital Express™ Truss Graphics, 8oz. Oxford - 2" bleed around the perimeter.

Custom Contour Cut UV Graphics - 1/2" bleed around the perimeter.

Custom Dye-Sub Graphics - 2" bleed around the perimeter

Custom Dye-Sub Graphics exceeding 160" - 5" bleed around the perimeter.

Templates for products are available online at

www.exhibitorshandbook.com

CLIENT

CASPR

ALL DIMENSIONS SHOW FINISHED GRAPHIC SIZES. PLEASE REFER TO GRAPHIC SPECIFICATION GUIDE FOR ARTWORK REQUIREMENTS

ARTWORK GUIDELINES



G7 Print Certified

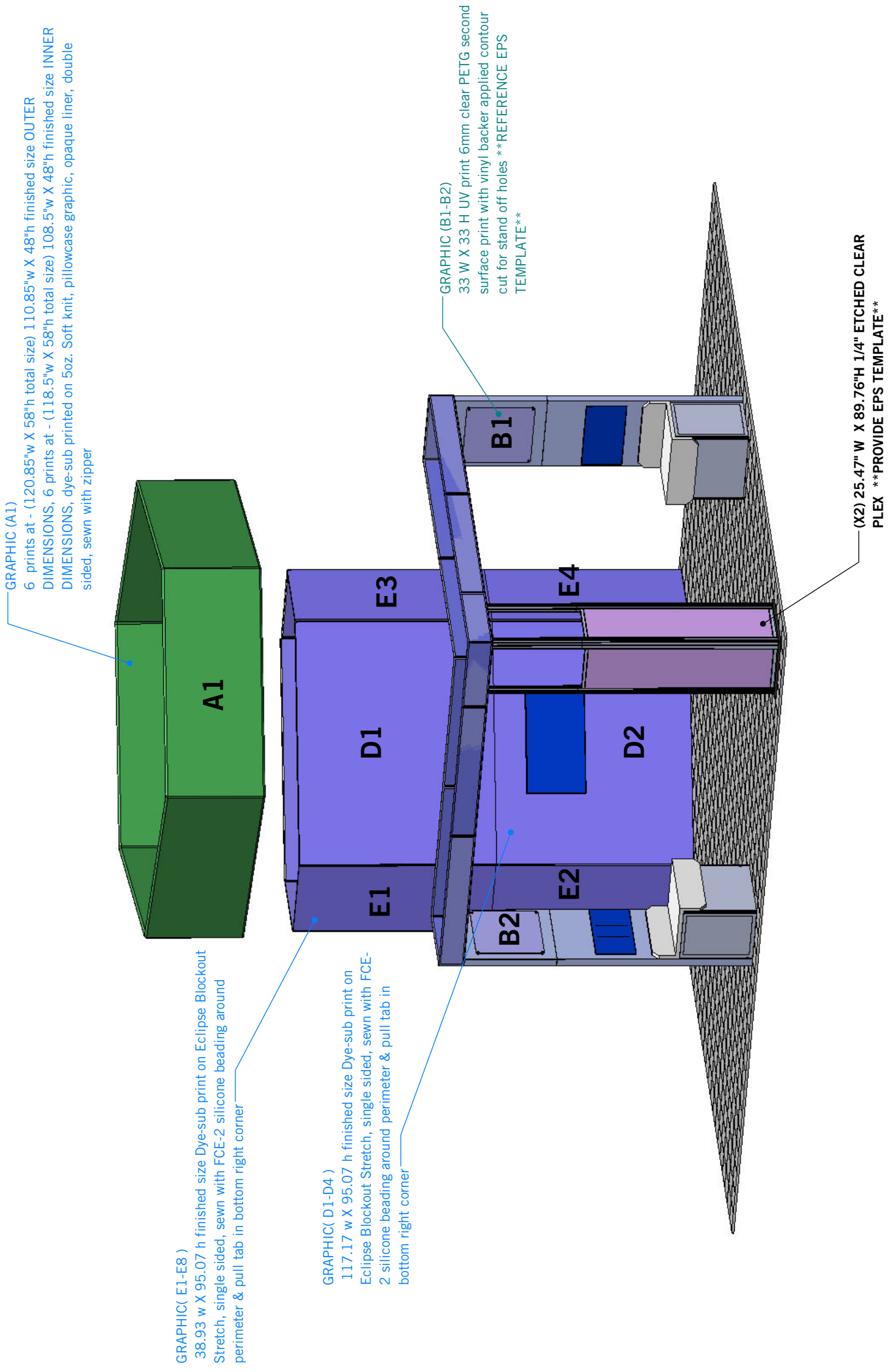


ORBUS, LLC
ISO 9001: 2015
ISO 14001: 2015
10009274 & 10011571

CLIENT
CASPR

ALL DIMENSIONS SHOW
FINISHED GRAPHIC SIZES.
PLEASE REFER TO
GRAPHIC SPECIFICATION
GUIDE FOR ARTWORK
REQUIREMENTS

GRAPHIC LAYOUT -4



**G7 Print
Certified**



ORBUS, LLC
ISO 9001: 2015
ISO 14001: 2015
10009274 & 10011571

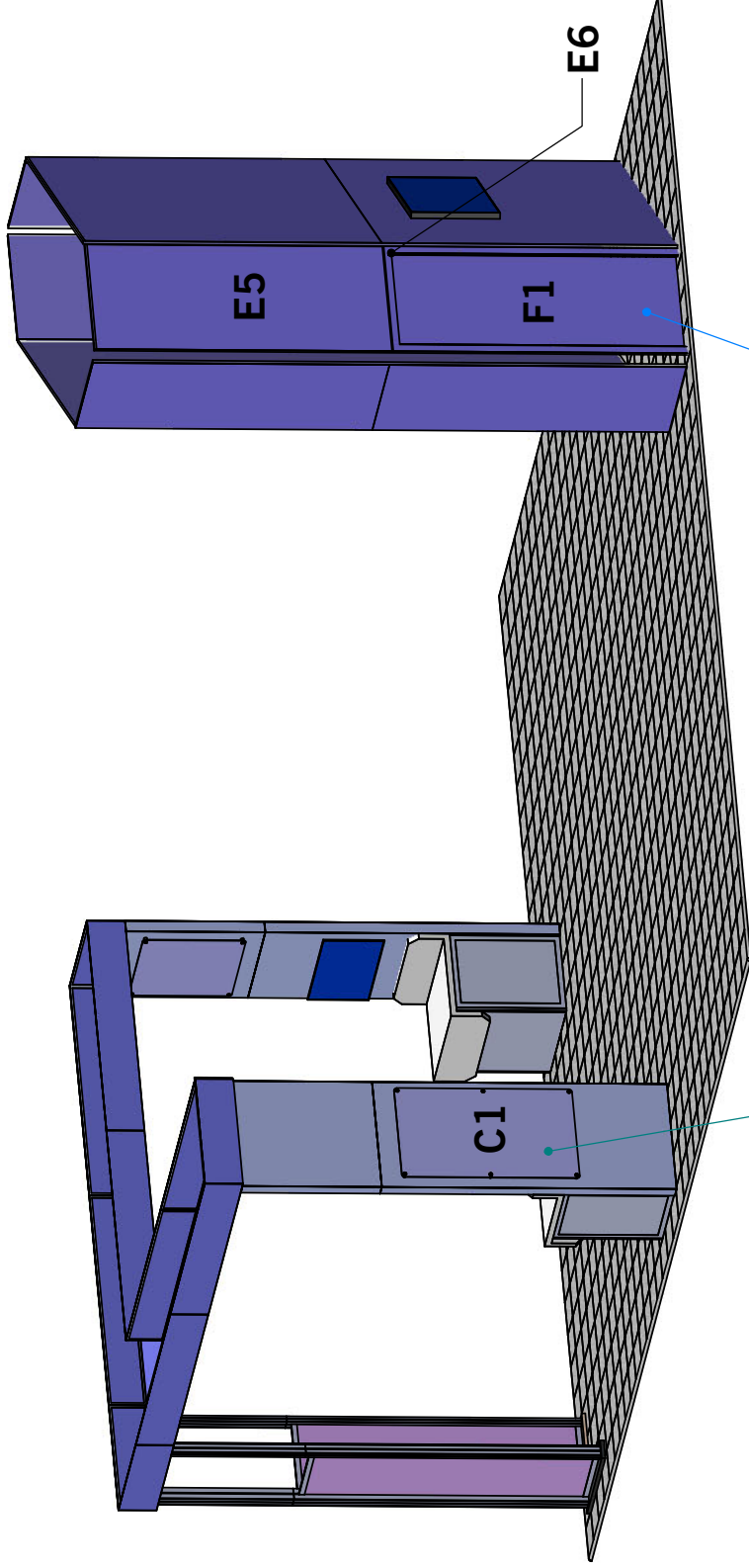
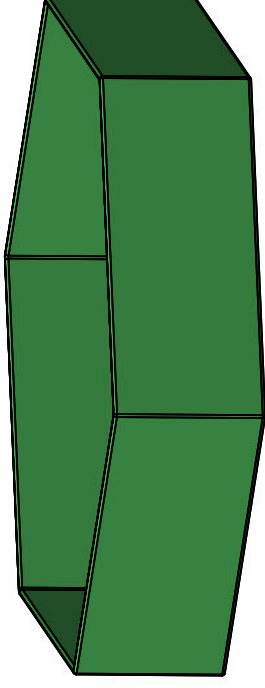
CLIENT CASPR		
		ALL DIMENSIONS SHOW FINISHED GRAPHIC SIZES. PLEASE REFER TO GRAPHIC SPECIFICATION GUIDE FOR ARTWORK REQUIREMENTS
		GRAPHIC LAYOUT -5



**G7 Print
Certified**



ORBUS, LLC
ISO 9001: 2015
ISO 14001: 2015
10009274 & 10011571



GRAPHIC(F1)

33.26 w X 91.22 h finished size Dye-sub print on Eclipse Blockout Stretch, single sided, sewn with FCE-2 silicone beading around perimeter & pull tab in bottom right corner

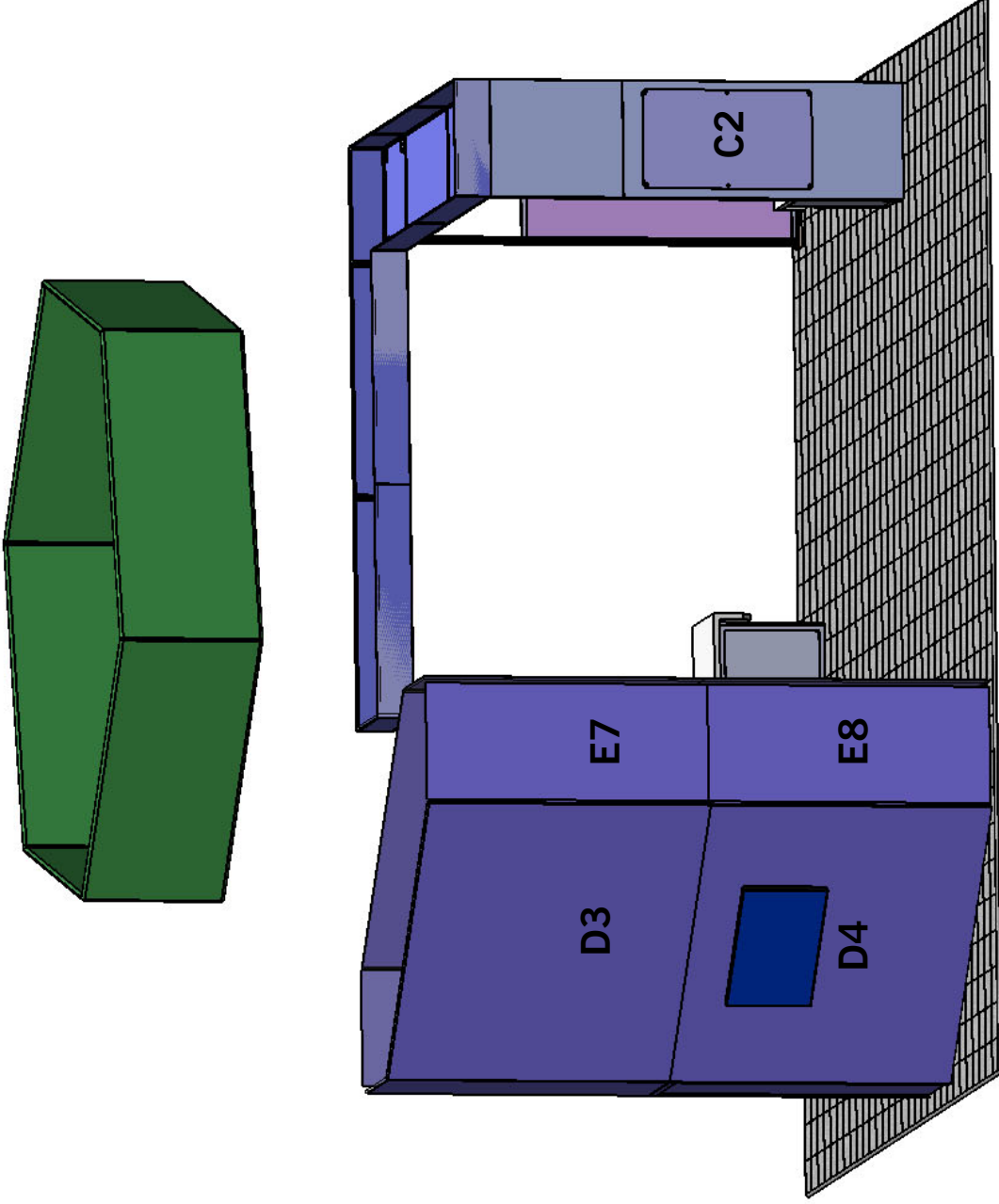
GRAPHIC (C1-C2)

33 W X 57 H UV print 6mm clear PETG second surface print with vinyl backer applied contour cut for stand off holes **REFERENCE EPS TEMPLATE**

CLIENT
CASPR

ALL DIMENSIONS SHOW
FINISHED GRAPHIC SIZES.
PLEASE REFER TO
GRAPHIC SPECIFICATION
GUIDE FOR ARTWORK
REQUIREMENTS

GRAPHIC LAYOUT -6



**G7 Print
Certified**



ORBUS, LLC
ISO 9001: 2015
ISO 14001: 2015
10009274 & 10011571

MURAL DETAILS FOR GRAPHIC D1-D4, E1-E7 & F1

