

Criteria – Set up Instructions



Date: 8/20/2019

Rev Date: 8/20/2019

Unit Name: 10' x 20'

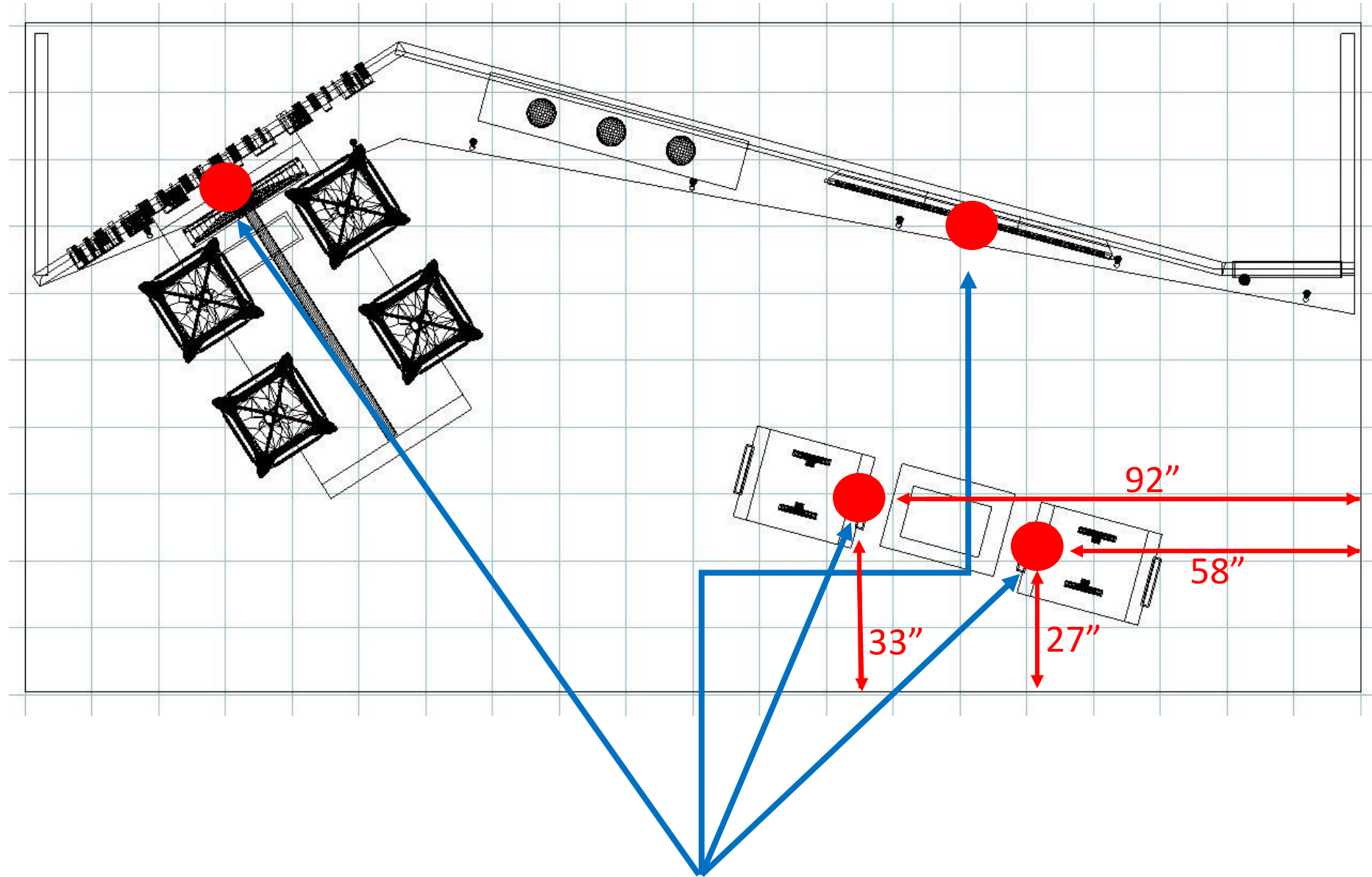
Sales Consultant: Steve

Designer: ELVIS

Page#

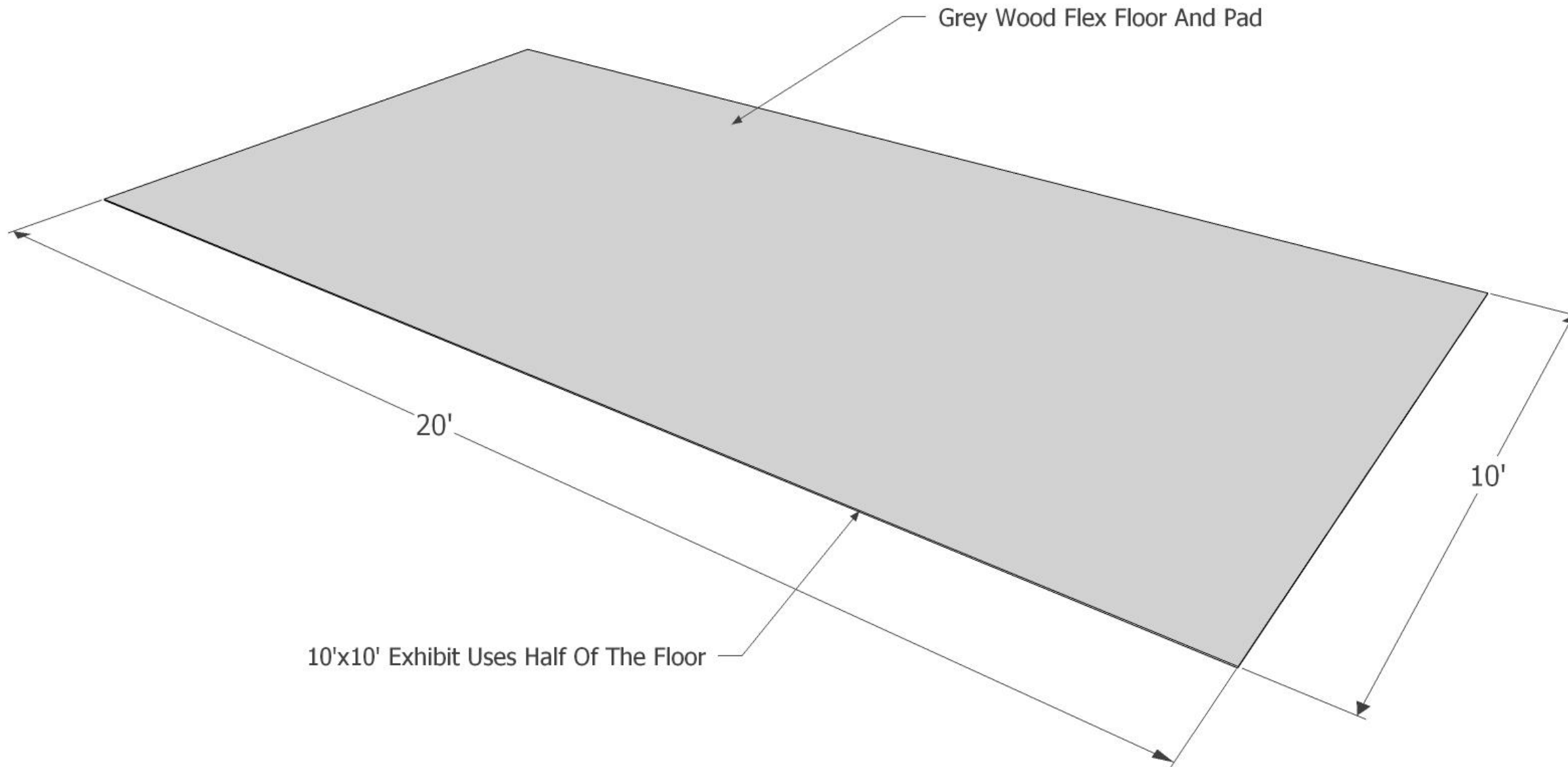
1

Criteria - Redlines – 10' x 20' Inline - Plan View



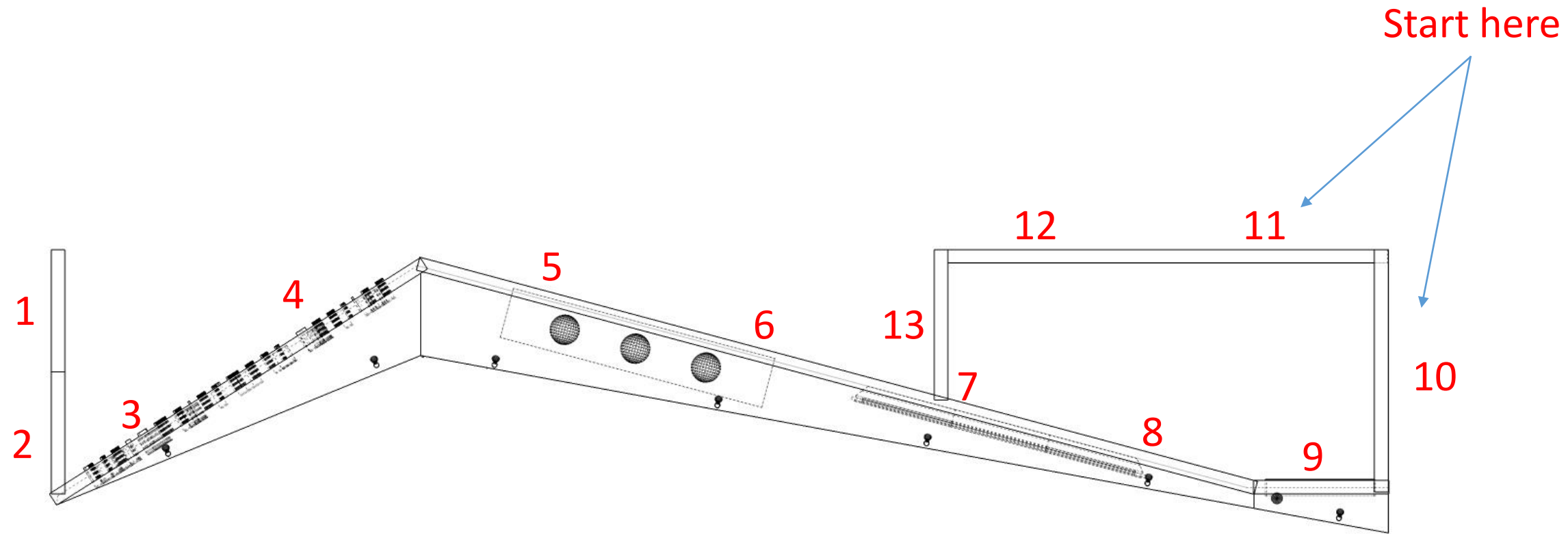
1) Check that all power drops are in the correct position.

Criteria – Set up Instructions



- 2) Lay down padding
- 3) Lay down flex floor
- 4) Cover flooring with visqueen.

Criteria – Set up Instructions



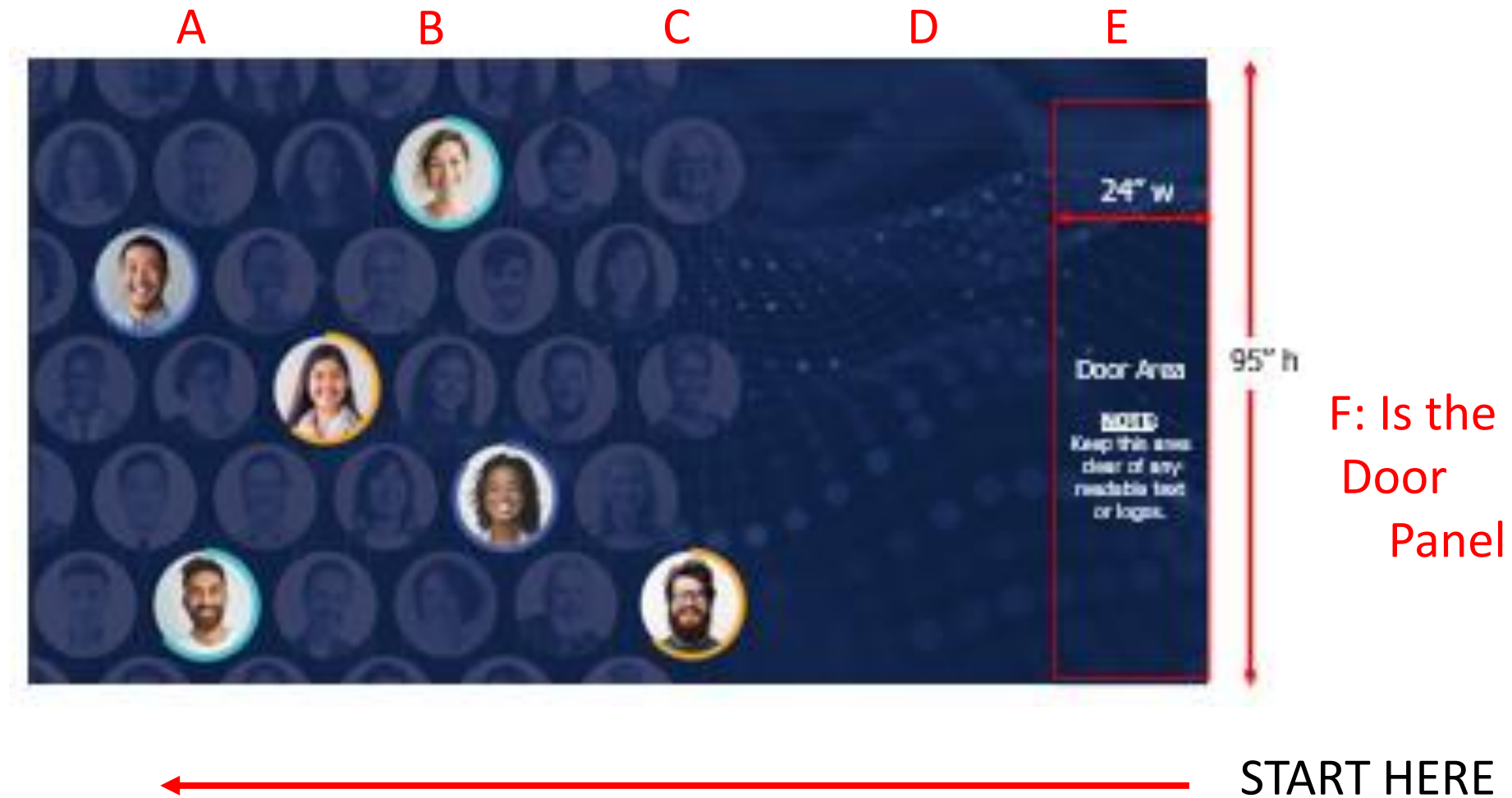
- 5) Bolt wall panels together using $\frac{1}{4}$ 20 bolts provided to build main wall structure. Start with panel 10 & 11 working your way down to 1. Then 12 & 13 last.

Criteria – Set up Instructions



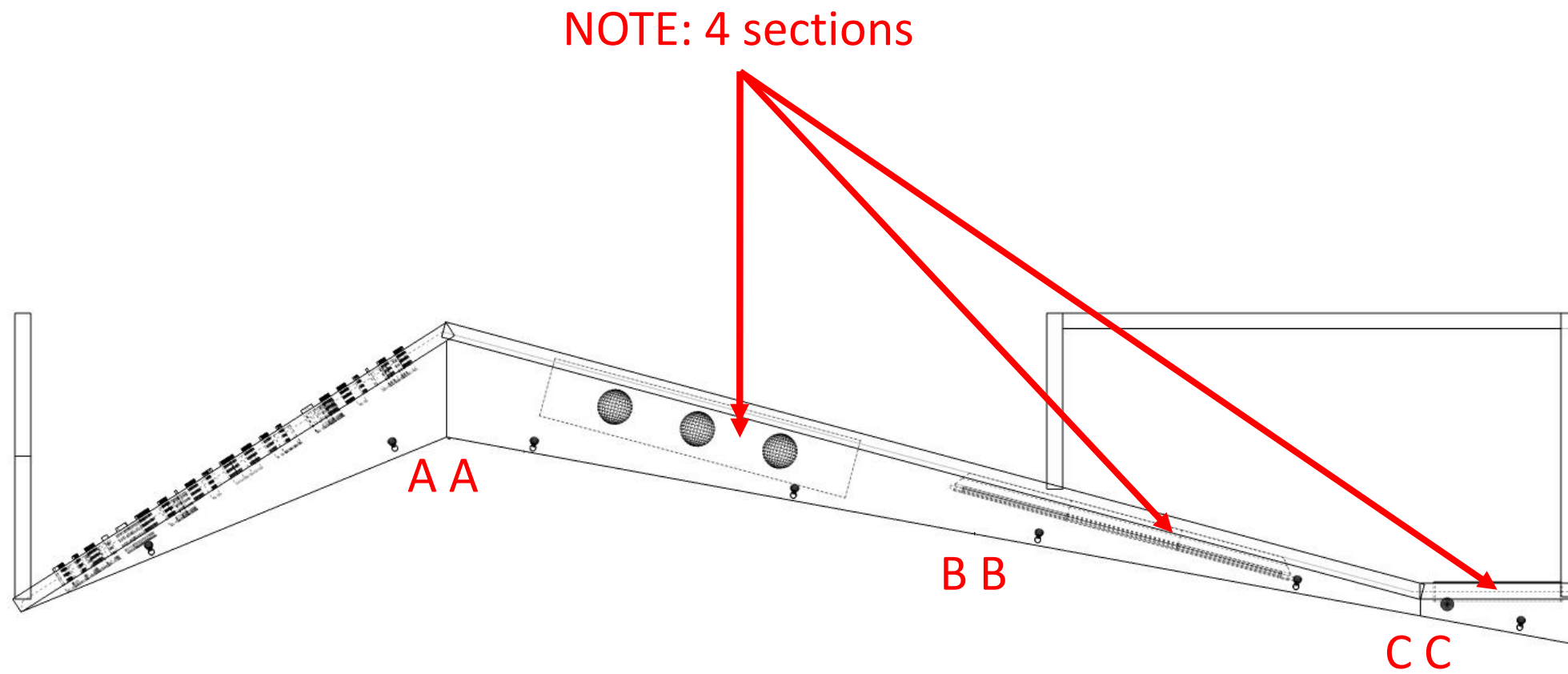
6) Connect panels #7 & #13 at top and bottom using the mending plates as shown.

Criteria – Set up Instructions



7) Install PVC panels starting from the right (door) side and working your way back towards the left side.

Criteria – Set up Instructions



- 8) Bolt header using the $\frac{1}{4}$ 20 bolts provided to top of walls one section at a time.
- 9) Plug in canopy puck lights as you put up each section of header

Criteria – Set up Instructions



10) Attach tv mount to wall and mount the tv.

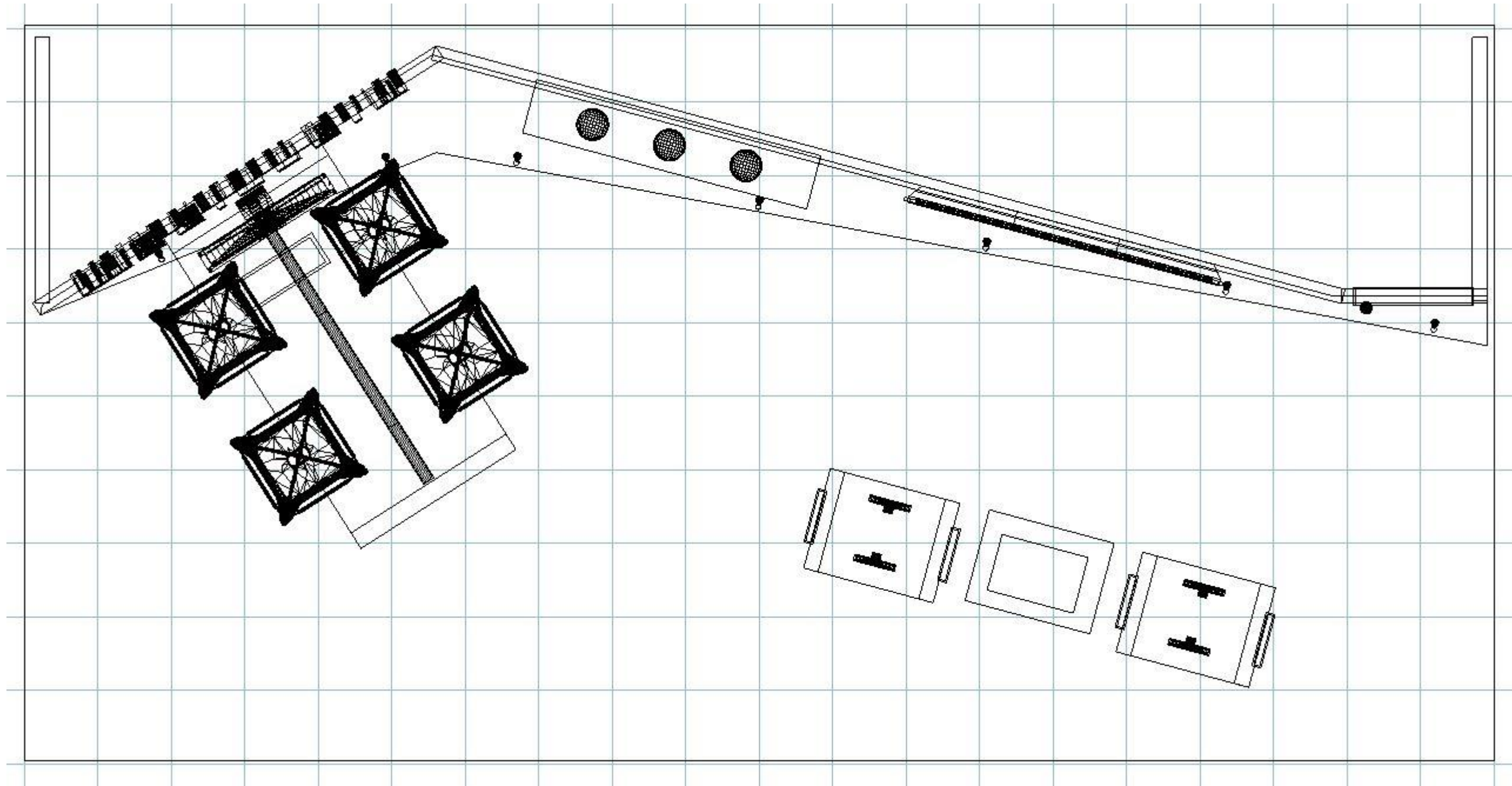
Criteria – Set up Instructions



11) Mount the “CRITERIA” dimensional letters using the provided template.

Client:	Criteria	Unit Name:	10' x 20'	Date:	8/20/2019
JOB#:	Las Vegas	Sales Consultant:	Steve	Rev Date:	8/20/2019
Booth#:	2730	Designer:	ELVIS		
7598 Currency Drive - Orlando, FL 32809 - 407 601 4606					
© 2019 DIVINITAS LLC. All rights reserved.					

Criteria – Set up Instructions



- 12) Place furniture according to floor plan.
- 13) Plug in pedestals

Criteria – Set up Instructions



- 14) Cut out visqueen and wipe down exhibit.
- 15) Have a great show.