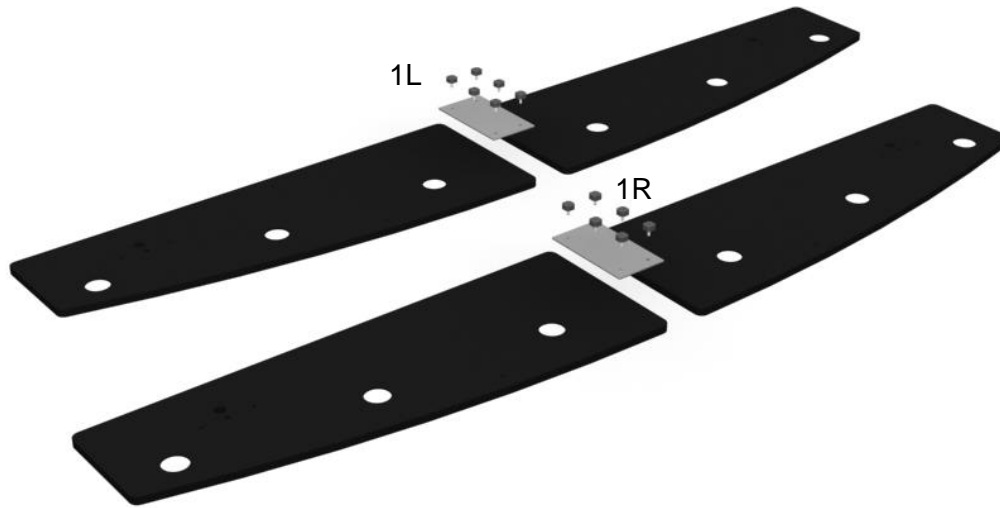


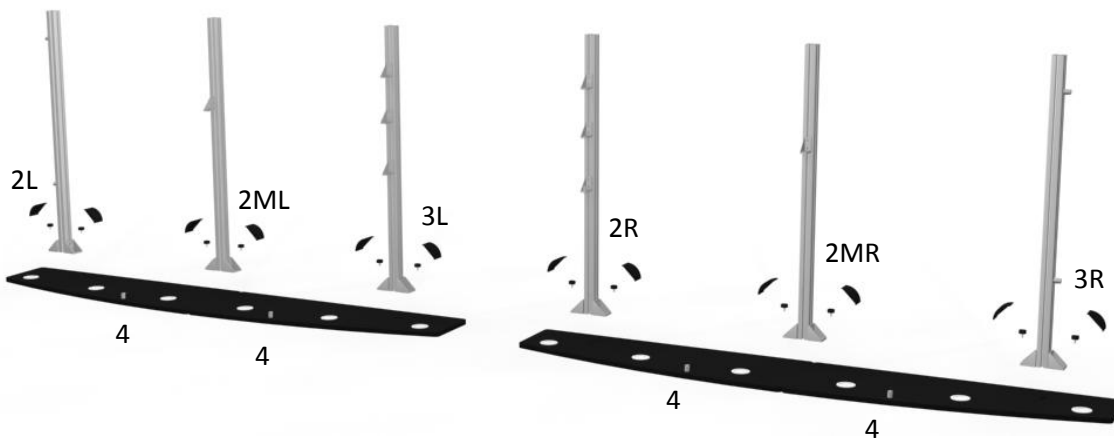
**Step 1:** Attach left and right canopy using (6) **Short Knobs** and aluminum joining plate



**Short Knob**



**Step 2:** Flip canopy over and attach upper column sections using (2) **Short Knobs** per column; Install gusset caps; Attach header grippers (#4)



**Header Gripper**



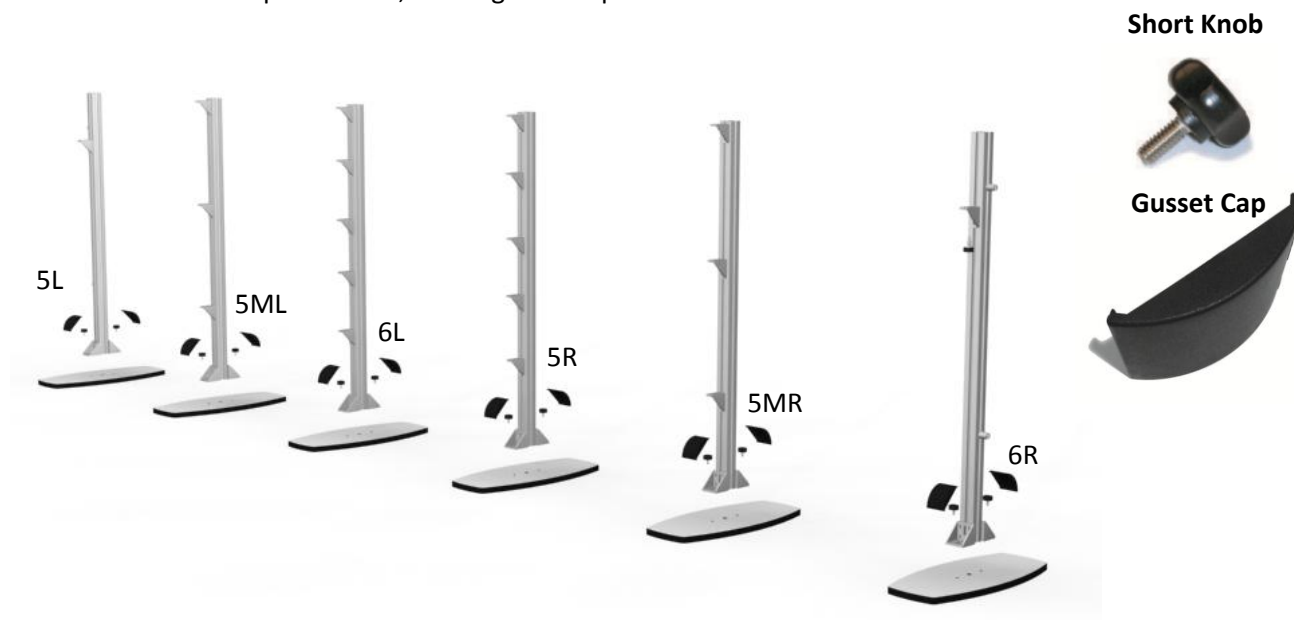
**Gusset Cap**



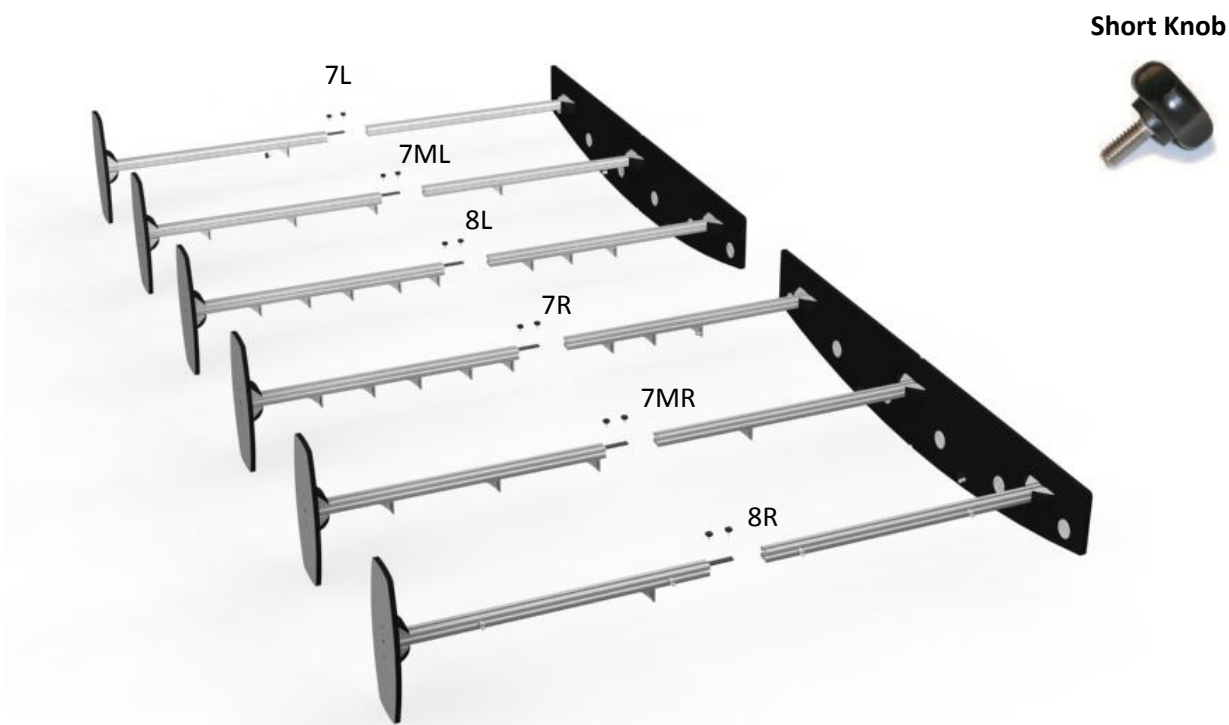
**Short Knob**



**Step 3:** Attach lower columns to base plates using (2) **Short Knobs** per column; Install gusset caps

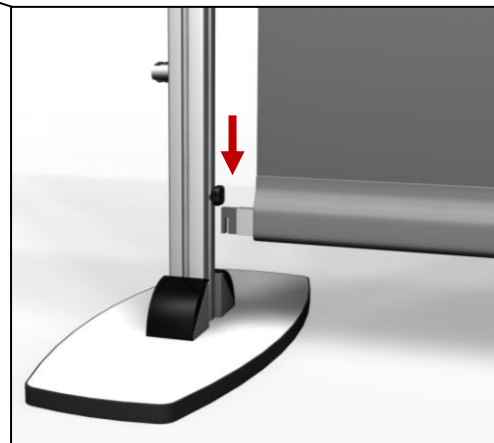
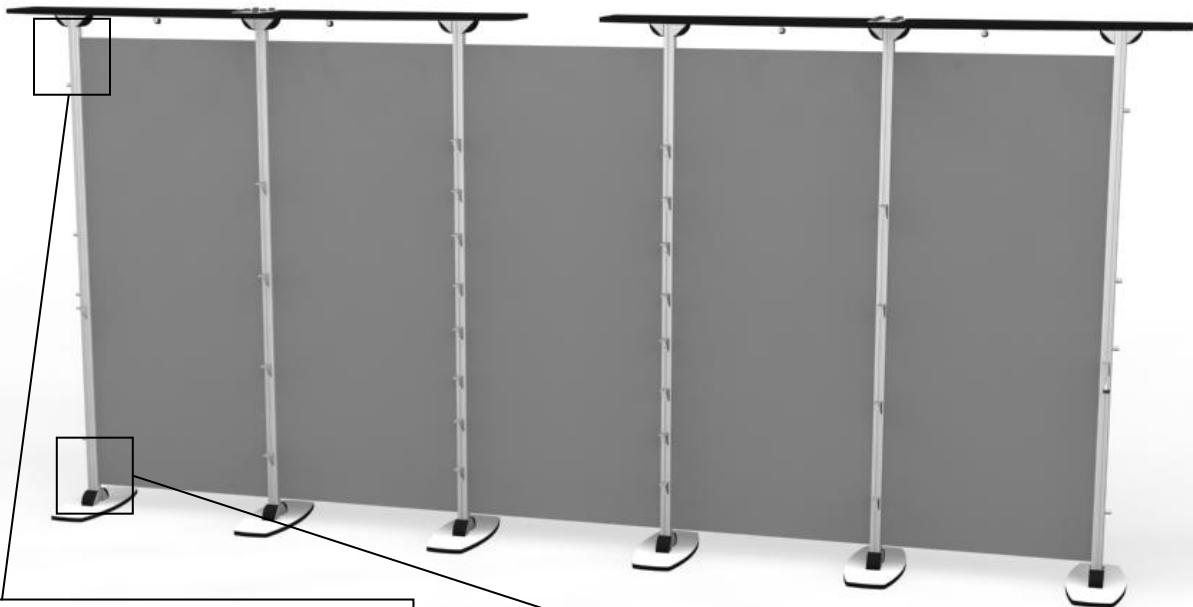


**Step 4:** Lay canopy and legs on the side; Attach lower columns to upper columns using (2) **Short Knobs** per column



**Step 5:** Slide upper and lower graphic bars into graphic and hang the graphics. Use **Short Knob** to add slight downward pressure to lower graphic bar.

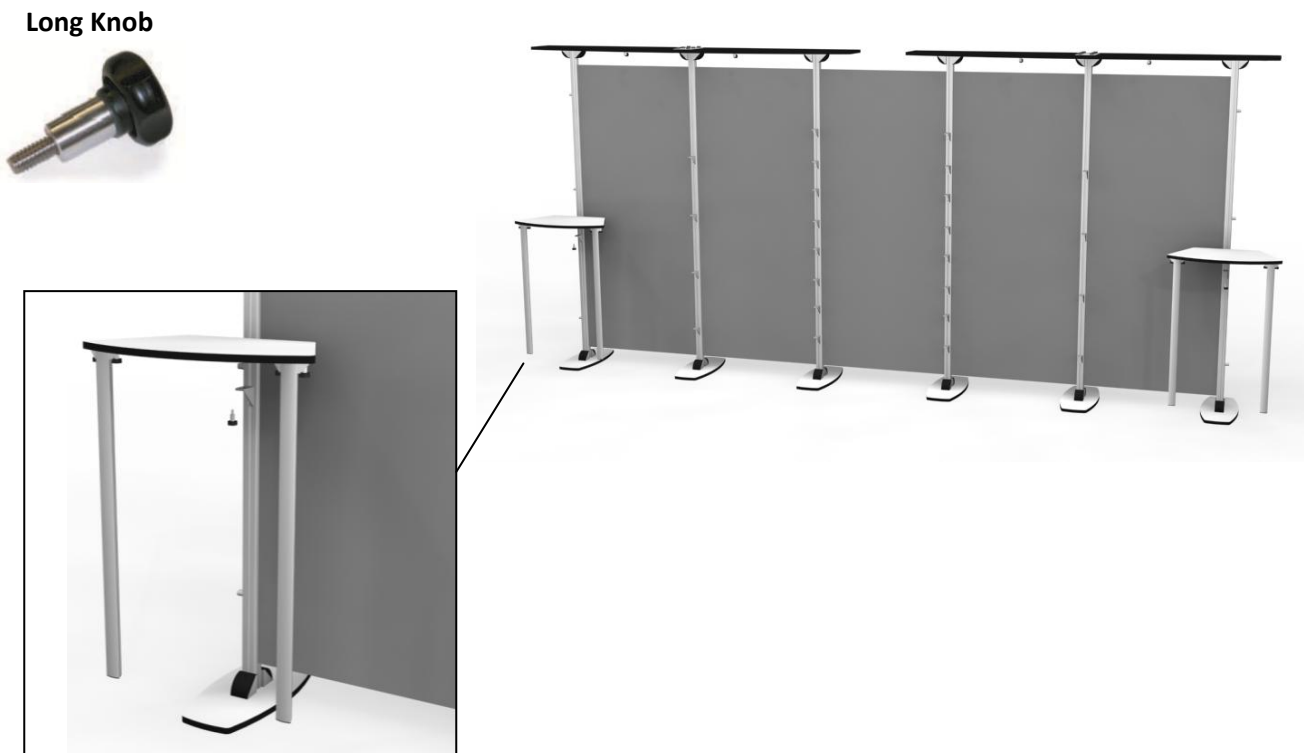
Graphic Bars



**Step 6:** Assemble the counters using (2) **Long Knobs** per leg



**Step 7:** Attach counters to backwall with **Long Knobs**



**Step 8:** Attach shelves to supports; then secure with (2) **Long Knobs** per shelf



**Long Knob**



**Step 9:** Attach wings and header using **Gripper Knobs**; attach literature shelves with **Short Knobs**



**Gripper Knob**



**Short Knob**



Finished

