

Order #:

Design #:

Client:

CASPR

Distributor:

Department:

SET UP

Item:

Qty:

Graphic Size: SEE TEMPLATES

Manufacture:

Setup Date:

5-8-19

Preview:

Ship Date:

5-10-19

Notes:

File Location:

Shipping:

WOOD CRATE

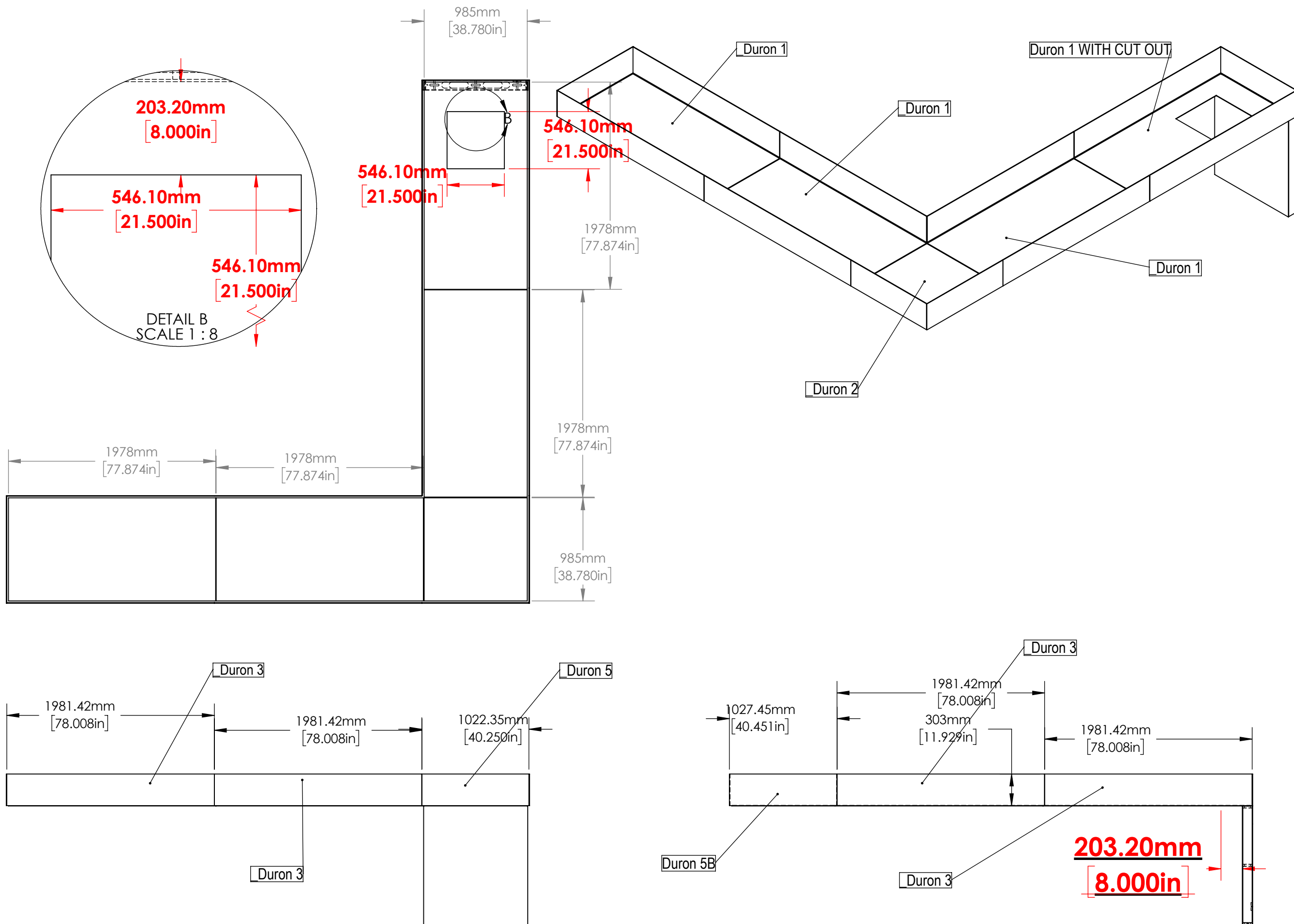
Project Manager:

Drawn By:

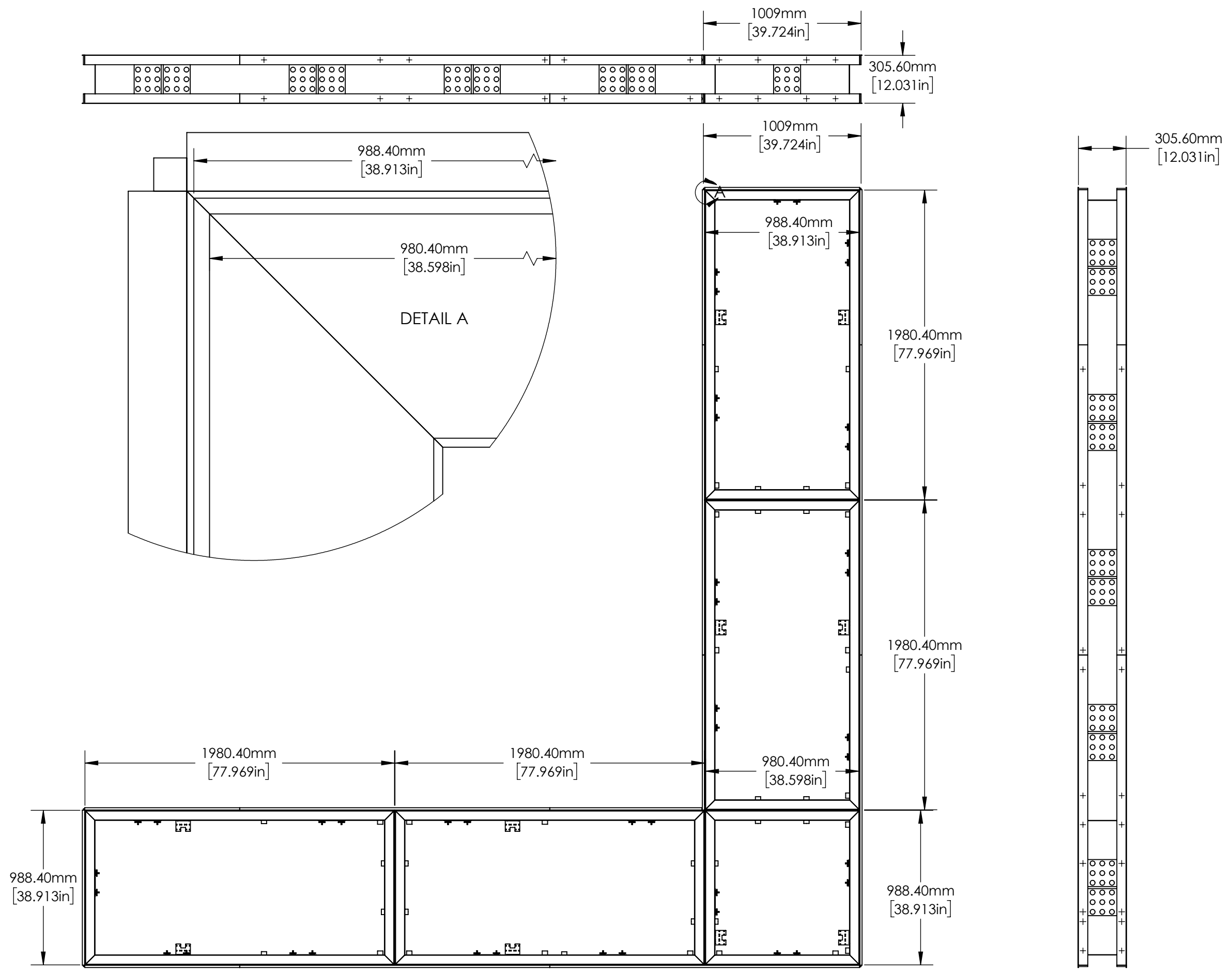
pedror

4/26/2019

THE INFORMATION CONTAINED IN THIS DRAWING IS THE SOLE PROPERTY OF THE MANUFACTURER. ANY REPRODUCTION IN PART OR AS A WHOLE WITHOUT THE WRITTEN PERMISSION OF THE MANUFACTURER IS PROHIBITED.



Order #:	
Design #:	
Client: CASPR	
Distributor:	
Department: SET UP	
Item:	Qty:
Graphic Size: SEE TEMPLATES	
Manufacture:	
Setup Date: 5-8-19	
Preview:	
Ship Date: 5-10-19	
Notes:	
File Location:	
Shipping: WOOD CRATE	
Project Manager:	
Drawn By: pedror	
4/26/2019	
<small>THE INFORMATION CONTAINED IN THIS DRAWING IS THE SOLE PROPERTY OF THE MANUFACTURER. ANY REPRODUCTION IN PART OR AS A WHOLE WITHOUT THE WRITTEN PERMISSION OF THE MANUFACTURER IS PROHIBITED.</small>	



Order #:

Design #:

Client:

Distributor:

Department:

Item: **Qty:**

Graphic Size: SEE TEMPLATES

Manufacture:

Setup Date:

Preview:

Ship Date:

Notes:

File Location:

Shipping:

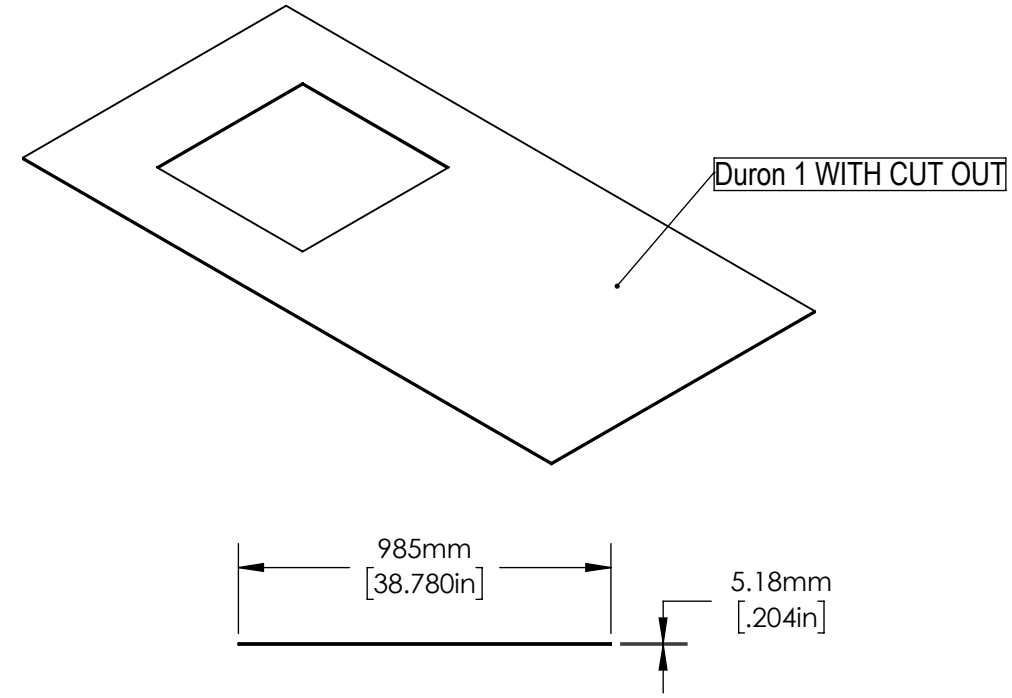
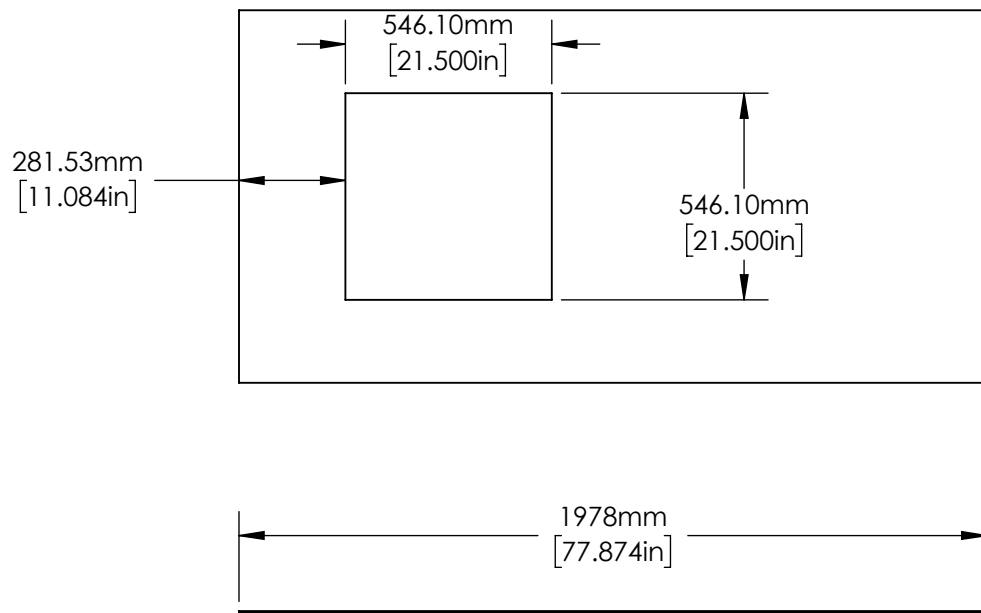
Project Manager:

Drawn By: pedror

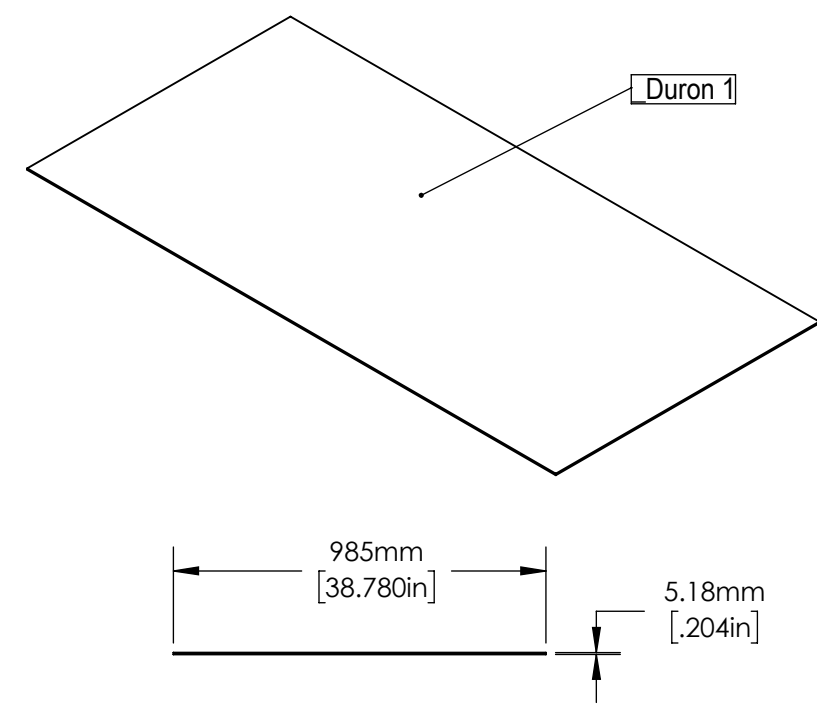
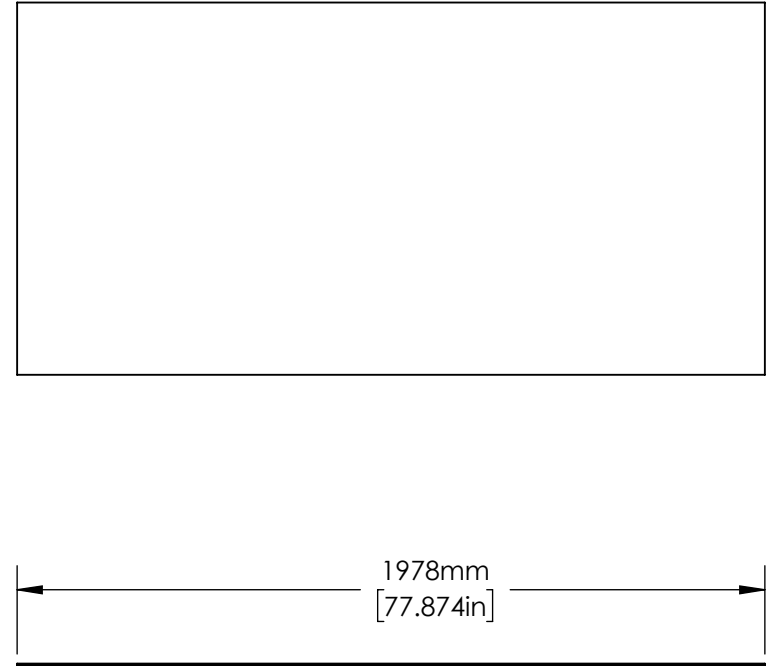
4/26/2019

THE INFORMATION CONTAINED IN THIS DRAWING IS THE SOLE PROPERTY OF THE MANUFACTURER. ANY REPRODUCTION IN PART OR AS A WHOLE WITHOUT THE WRITTEN PERMISSION OF THE MANUFACTURER IS PROHIBITED.

ITEM NO.	PART NAME	DESCRIPTION	QNTY
1	Duron 1 WITH CUT OUT	APPROX. 1979MM X 987MM X 1/8" LAMINATE COVERED DURON WILSONART CRYSTAL STEEL S6501 AND W. DESIGNER WHITE - WITH 3/4" VELCRO ON BACK PERIMETER TO ATTACH THEM TO BEMATRIX FRAME **FINAL SIZES PER ACTUAL FRAME MEASUREMENTS **CNC**	1

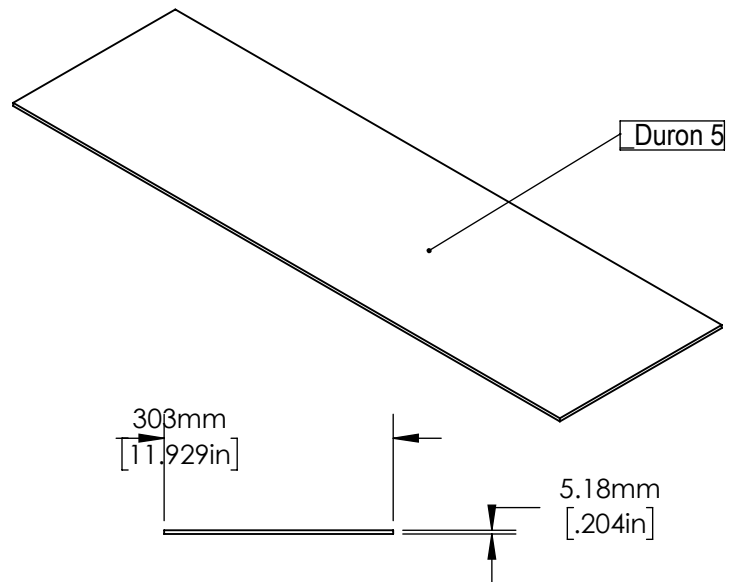
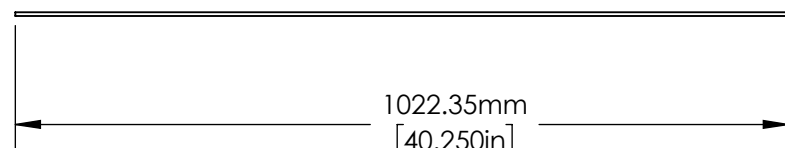
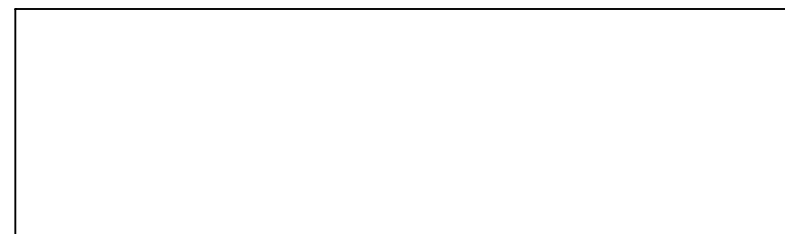


ITEM NO.	PART NAME	DESCRIPTION	QNTY
1	Duron 1	APPROX. 1979MM X 987MM X 1/8" LAMINATE COVERED DURON WILSONART CRYSTAL STEEL S6501 AND W. DESIGNER WHITE - WITH 3/4" VELCRO ON BACK PERIMETER TO ATTACH THEM TO BEMATRIX FRAME **FINAL SIZES PER ACTUAL FRAME MEASUREMENTS **CNC**	3



Order #:	
Design #:	
Client:	CASPR
Distributor:	
Department:	SET UP
Item:	Qty:
Graphic Size:	SEE TEMPLATES
Manufacture:	
Setup Date:	5-8-19
Preview:	
Ship Date:	5-10-19
Notes:	
File Location:	
Shipping:	WOOD CRATE
Project Manager:	
Drawn By:	pedror
	4/26/2019
<small>THE INFORMATION CONTAINED IN THIS DRAWING IS THE SOLE PROPERTY OF THE MANUFACTURER. ANY REPRODUCTION IN PART OR AS A WHOLE WITHOUT THE WRITTEN PERMISSION OF THE MANUFACTURER IS PROHIBITED.</small>	

ITEM NO.	PART NAME	DESCRIPTION	QNTY
1	_Duron 5	APPROX. 987MM X 310MM X 1/8" LAMINATE COVERED DURON WILSONART CRYSTAL STEEL S6501 AND W. DESIGNER WHITE ADD 3/4" VELCRO ON ONE SIDE TO ATTACH THEM TO MATRIX FRAME **FINAL SIZES PER CNC**	1



Order #:

Design #:

Client: CASPR

Distributor:

Department: SET UP

Item: Qty:

Graphic Size: SEE TEMPLATES

Manufacture:

Setup Date: 5-8-19

Preview:

Ship Date: 5-10-19

Notes:

File Location:

Shipping: WOOD CRATE

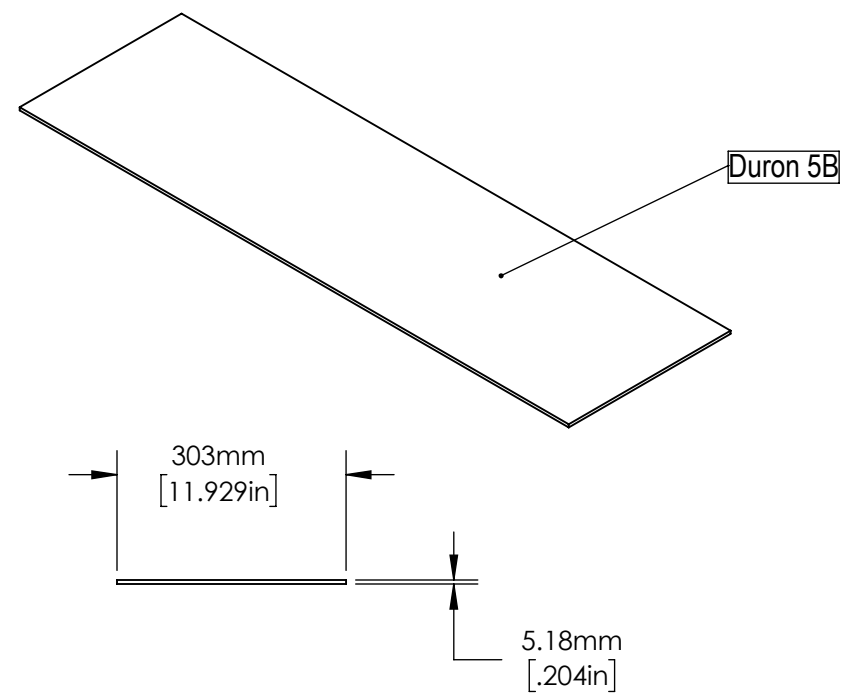
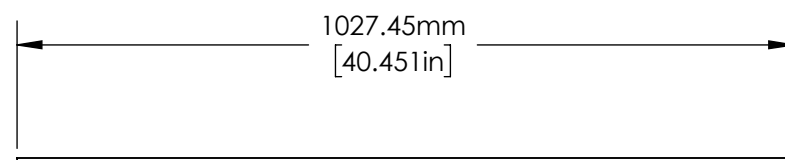
Project Manager:

Drawn By: pedror

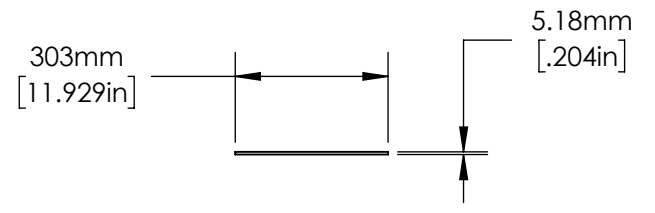
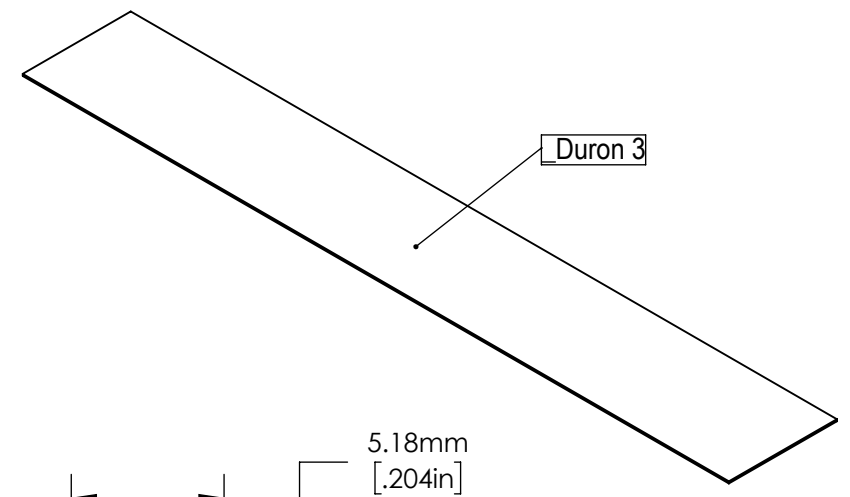
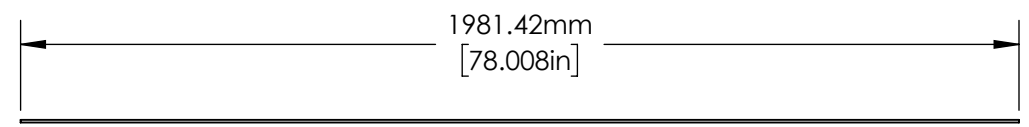
4/26/2019

THE INFORMATION CONTAINED IN THIS DRAWING IS THE SOLE PROPERTY OF THE MANUFACTURER. ANY REPRODUCTION IN PART OR AS A WHOLE WITHOUT THE WRITTEN PERMISSION OF THE MANUFACTURER IS PROHIBITED.

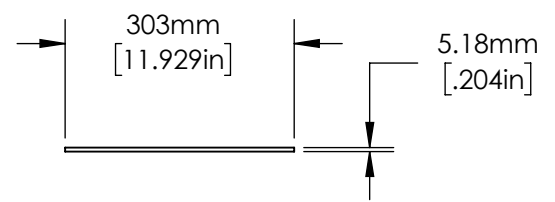
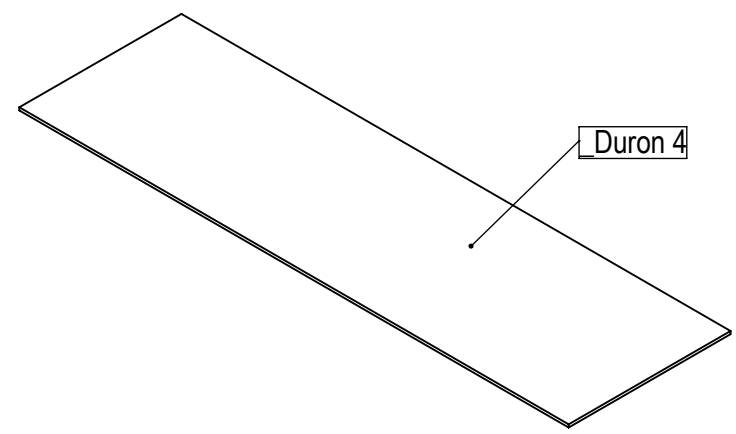
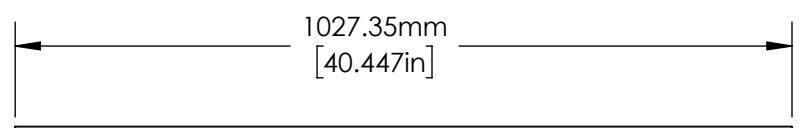
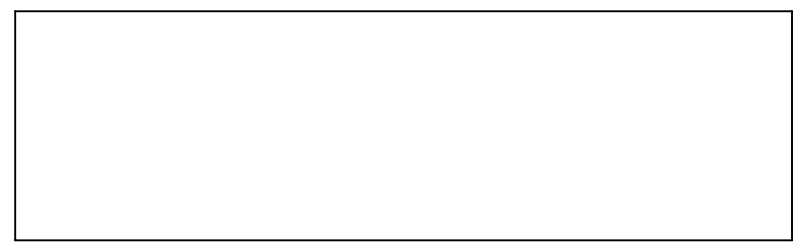
ITEM NO.	PART NAME	DESCRIPTION	QNTY
1	Duron 5B	APPROX. 987MM X 310MM X 1/8" LAMINATE COVERED DURON WILSONART CRYSTAL STEEL S6501 AND W. DESIGNER WHITE ADD 3/4" VELCRO ON ONE SIDE TO ATTACH THEM TO MATRIX FRAME **FINAL SIZES PER CNC**	1



ITEM NO.	PART NAME	DESCRIPTION	QNTY
1	_Duron 3	APPROX. 1979MM X 310MM X 1/8" LAMINATE COVERED DURON WILSONART CRYSTAL STEEL S6501 AND W. DESIGNER WHITE, ADD 3/4" VELCRO ON ONE SIDE TO ATTACH THEM TO MATRIX FRAME **FINAL SIZES PER CNC**	4

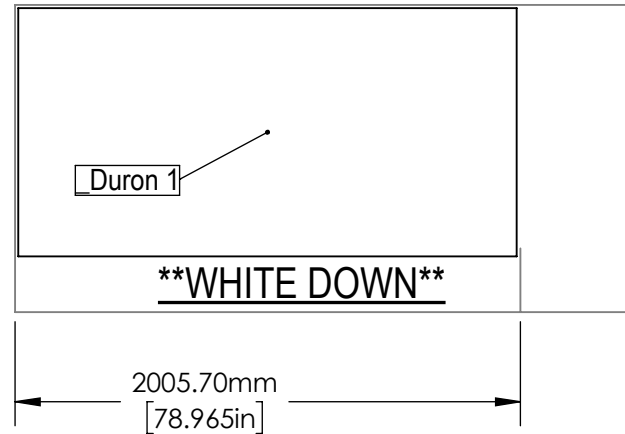


ITEM NO.	PART NAME	DESCRIPTION	QNTY
1	_Duron 4	APPROX. 987MM X 310MM X 1/8" LAMINATE COVERED DURON WILSONART CRYSTAL STEEL S6501 AND WILSONART DESIGNER WHITE, ADD 3/4" VELCRO ON ONE SIDE TO ATTACH THEM TO MATRIX FRAME **FINAL SIZES PER CNC**	2

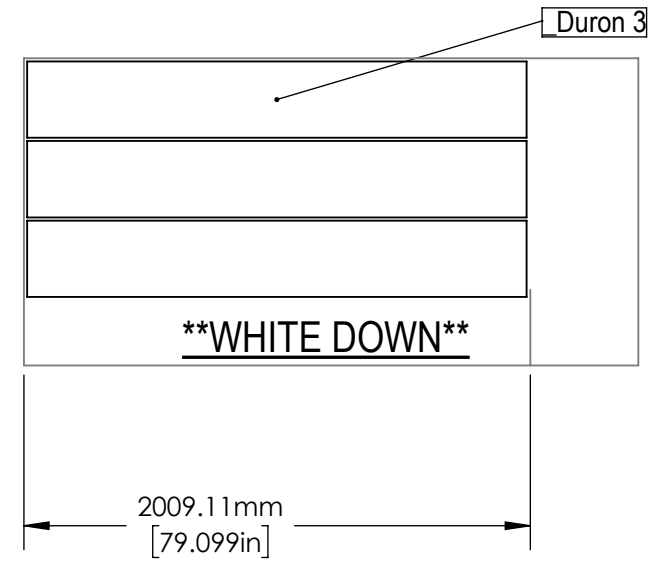


Order #:	
Design #:	
Client:	CASPR
Distributor:	
Department:	SET UP
Item:	Qty:
Graphic Size:	SEE TEMPLATES
Manufacture:	
Setup Date:	5-8-19
Preview:	
Ship Date:	5-10-19
Notes:	
File Location:	
Shipping:	WOOD CRATE
Project Manager:	
Drawn By:	pedror
	4/26/2019
<small>THE INFORMATION CONTAINED IN THIS DRAWING IS THE SOLE PROPERTY OF THE MANUFACTURER. ANY REPRODUCTION IN PART OR AS A WHOLE WITHOUT THE WRITTEN PERMISSION OF THE MANUFACTURER IS PROHIBITED.</small>	

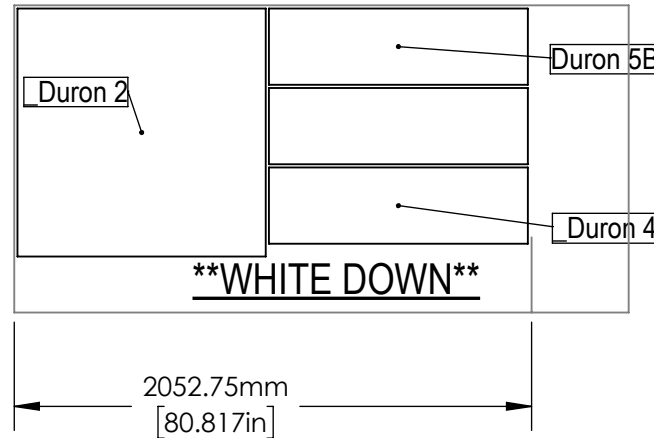
ITEM NO.	PART NUMBER	Layout11[Pre-lam Duron Board B.S._0.204in_Qnty3]
1	_Duron 1	1



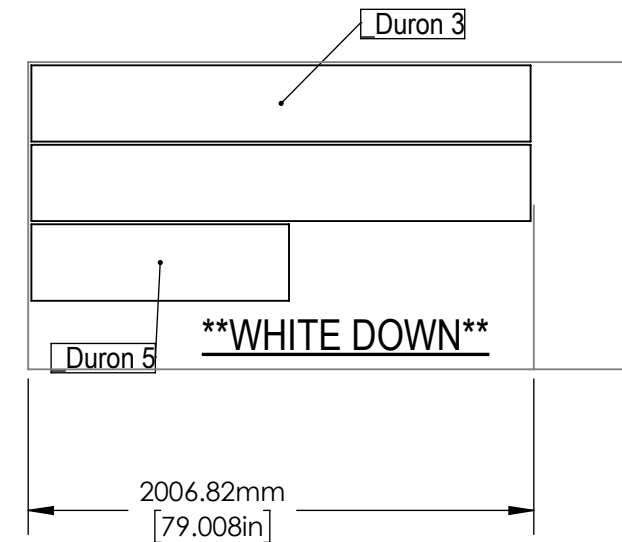
ITEM NO.	PART NUMBER	Layout14[Pre-lam Duron Board B.S._0.204in_Qnty2]
1	_Duron 3	3



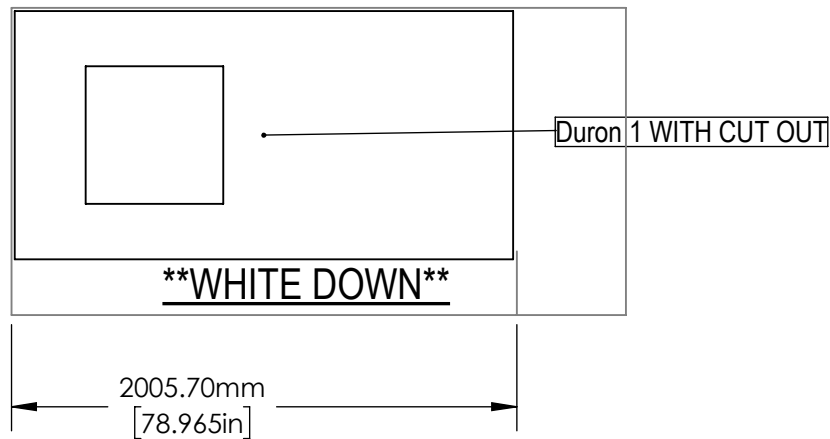
ITEM NO.	PART NUMBER	Layout13[Pre-lam Duron Board B.S._0.204in_Qnty1]
1	_Duron 2	1
2	Duron 5B	1
3	_Duron 4	2



ITEM NO.	PART NUMBER	Layout15[Pre-lam Duron Board B.S._0.204in_Qnty1]
1	_Duron 3	2
2	_Duron 5	1



ITEM NO.	PART NUMBER	Layout12[Pre-lam Duron Board B.S._0.204in_Qnty1]
1	Duron 1 WITH CUT OUT	1



****USE CUSTOM ORDER ROUTER BIT****

ROYCE//AYR

INDUSTRIAL CUTTING TOOLS IN HSS, CARBIDE AND DIAMOND



Material Finish-Top: Poor
Material Finish-Bottom: Excellent
Flut Point Type: Endmill
Helix Angle: 30°

2 Flute Upcut Spiral (Hard Plastics and Aluminum)

Part #	D1	L1	D2	L2
R52-02401	1/8	1/2	1/4	2
R52-02402	5/32	9/16	1/4	2
R52-02403	3/16	5/8	1/4	2
R52-02404 LH	3/16	5/8	1/4	2
R52-02405	7/32	5/8	1/4	2-1/2
R52-02406	1/4	3/4	1/4	2-1/2
R52-02407 LH	1/4	3/4	1/4	2-1/2
R52-02408	9/32	3/4	3/8	2-1/2
R52-12409	5/16	13/16	3/8	2-1/2
R52-12410	3/8	7/8	3/8	2-1/2
R52-12411	7/16	1	1/2	3
R52-12412	1/2	1	1/2	3

LH = Left Hand Rotation

Order #:

Design #:

Client:

CASPR

Distributor:

Department:

SET UP

Item:

Qty:

Graphic Size:

SEE TEMPLATES

Manufacture:

Setup Date:

5-8-19

Preview:

Ship Date:

5-10-19

Notes:

File Location:

Shipping:

WOOD CRATE

Project Manager:

Drawn By:

pedror

4/26/2019

THE INFORMATION CONTAINED IN THIS DRAWING IS THE SOLE PROPERTY OF THE MANUFACTURER. ANY REPRODUCTION IN PART OR AS A WHOLE WITHOUT THE WRITTEN PERMISSION OF THE MANUFACTURER IS PROHIBITED.